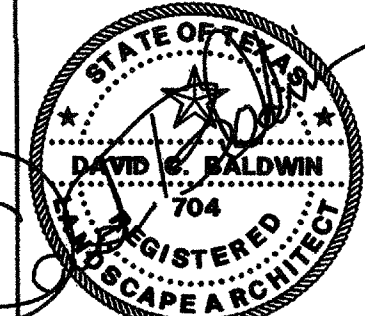


ISSUE DATE	02-20-02	BID SET
REVISIONS		

**ADDISON ATHLETIC CLUB EXPANSION  
AND  
LEISURE POOL**  
ADDISON, TEXAS

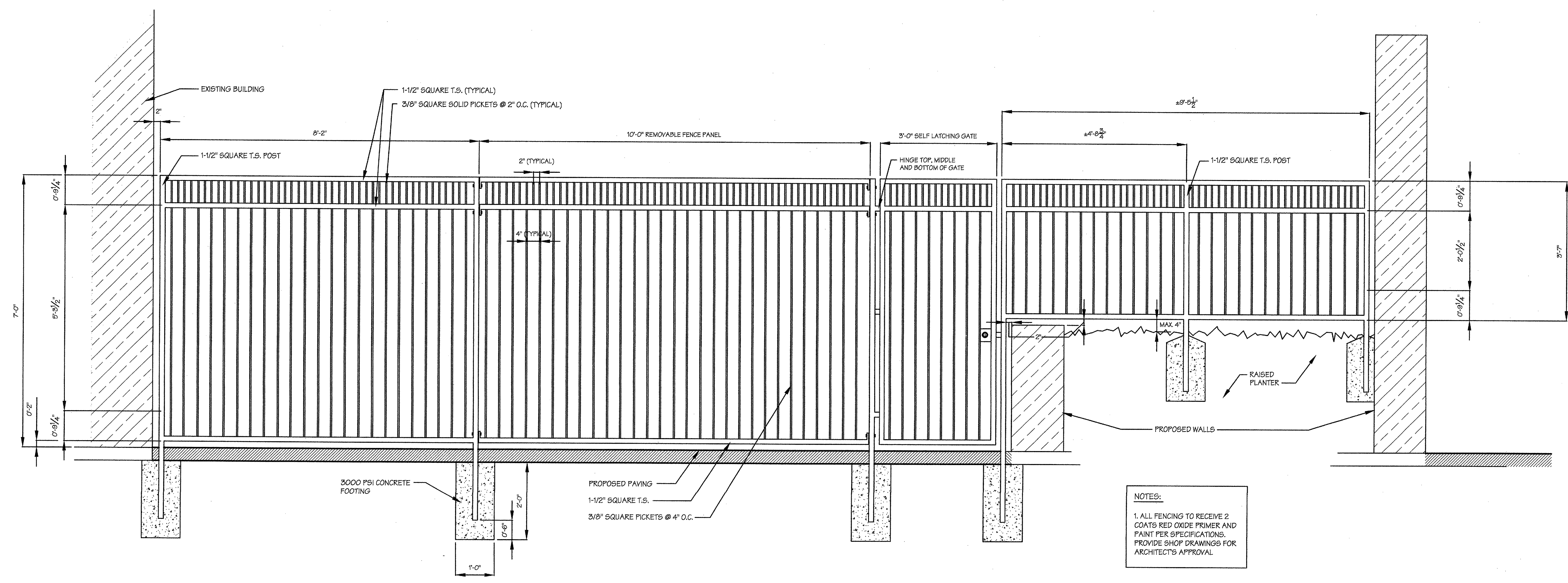
**RON HOBBS ARCHITECTS**  
614 W. MAIN ST., SUITE #200 GARLAND, TEXAS 75040  
(972) 494-0174  
FAX (972) 494-0174

**DAVID C. BALDWIN  
INCORPORATED**  
LANDSCAPE  
ARCHITECTURE  
PLANNING  
5544 ROCKWOOD AVENUE  
DALLAS, TEXAS 75206  
PHONE 214-821-8100  
FAX 214-821-8062

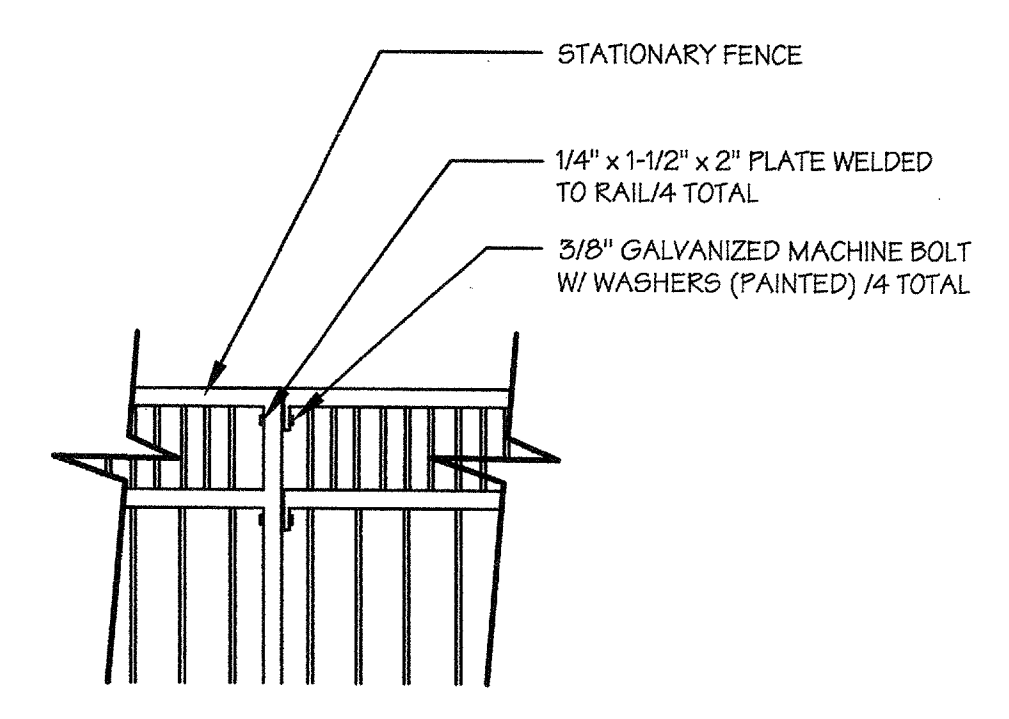


JOB NUMBER  
**HARDSCAPE  
DETAILS**  
0012

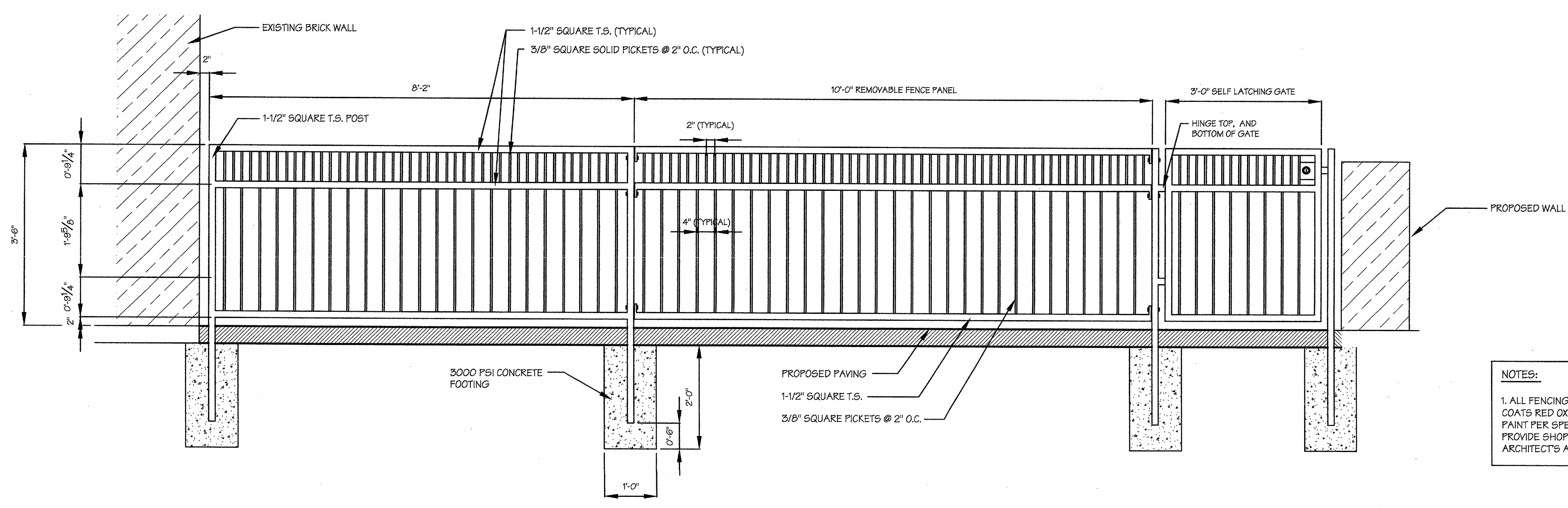
SHEET NUMBER  
**L1.5**



**A 7'-0" ORNAMENTAL FENCE**  
SCALE: 3/4"=1'-0"



**B REMOVABLE FENCE**  
SCALE: 3/4"=1'-0"



**C 42" ORNAMENTAL FENCE**  
SCALE: 3/4"=1'-0"

DAVID C. BALDWIN, INC. FILE  
Time: 02:28 P.M.  
Date: 02/24/2003  
Drawing File: L1-A.DWG  
Scale: 1,000=16,000