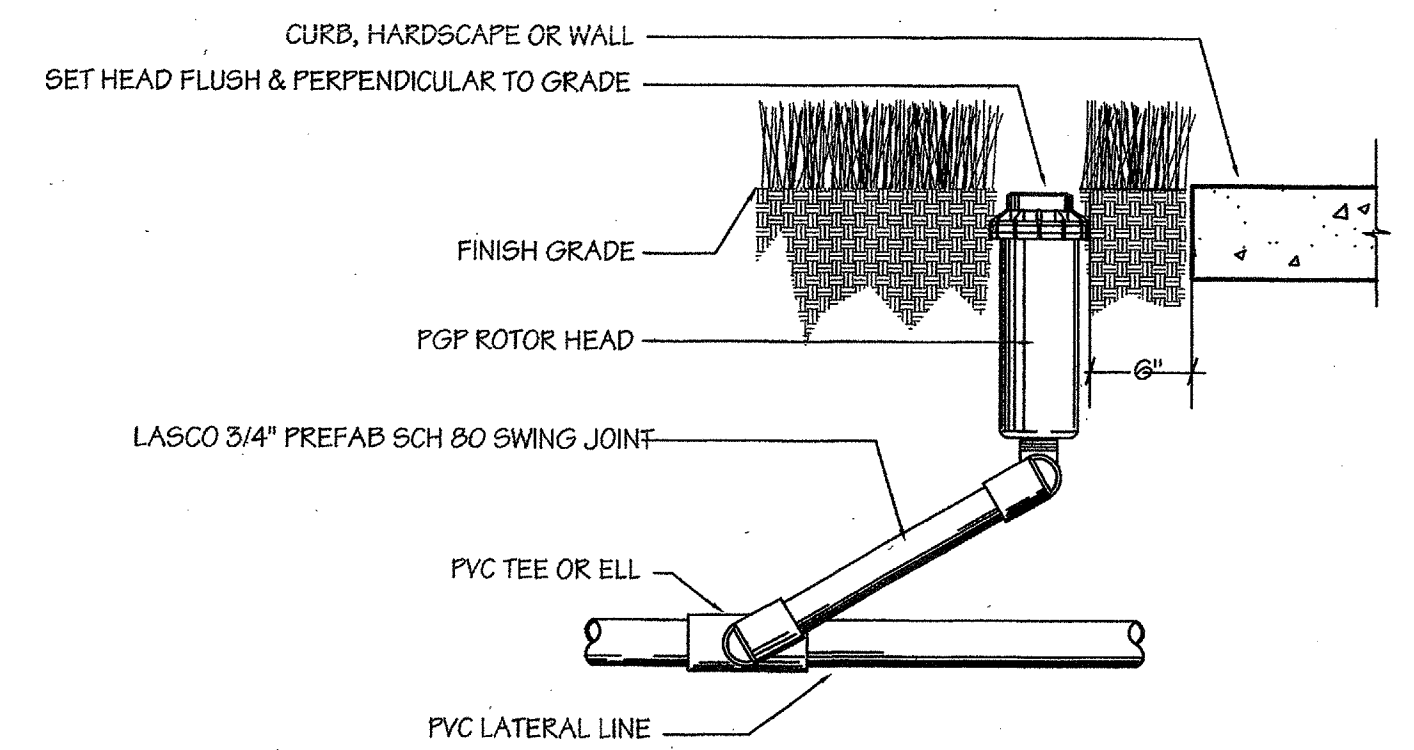
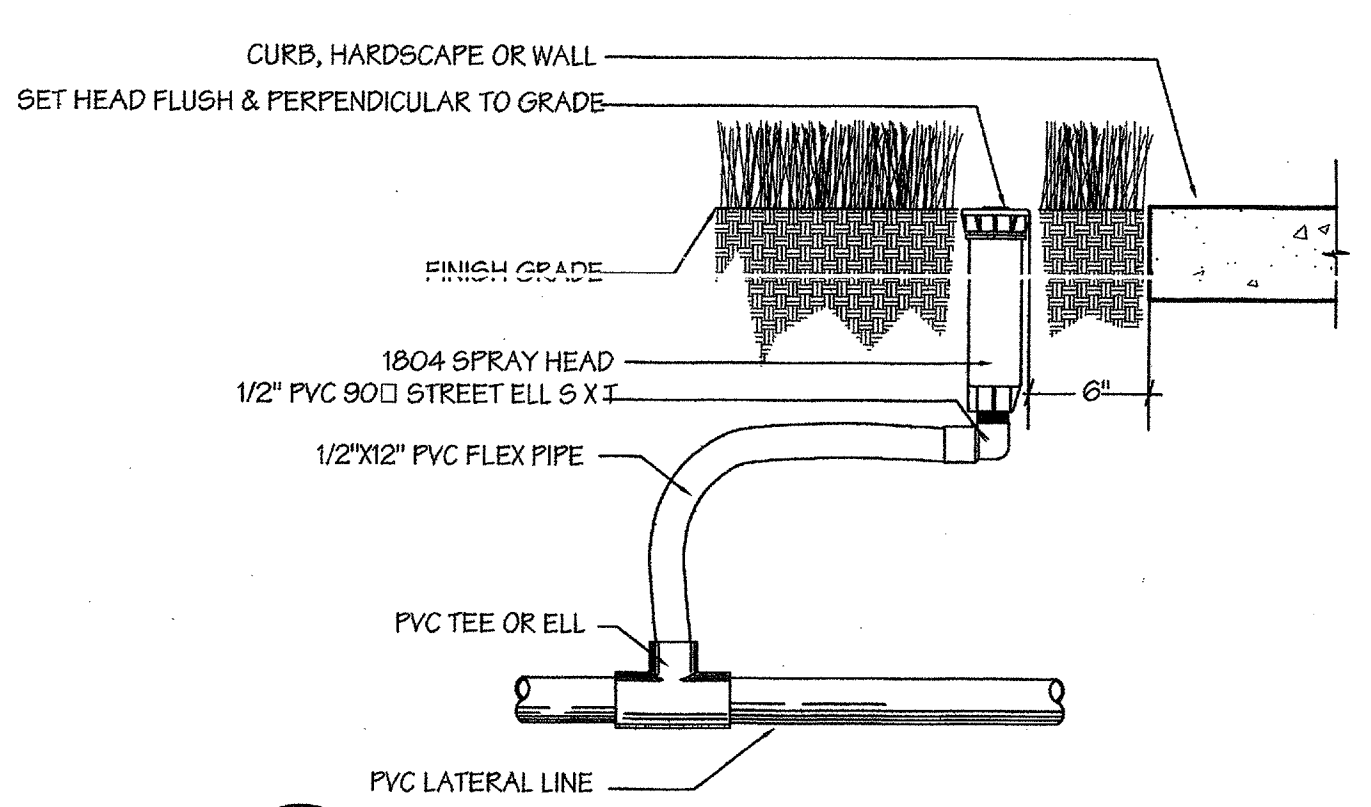


LEGEND:

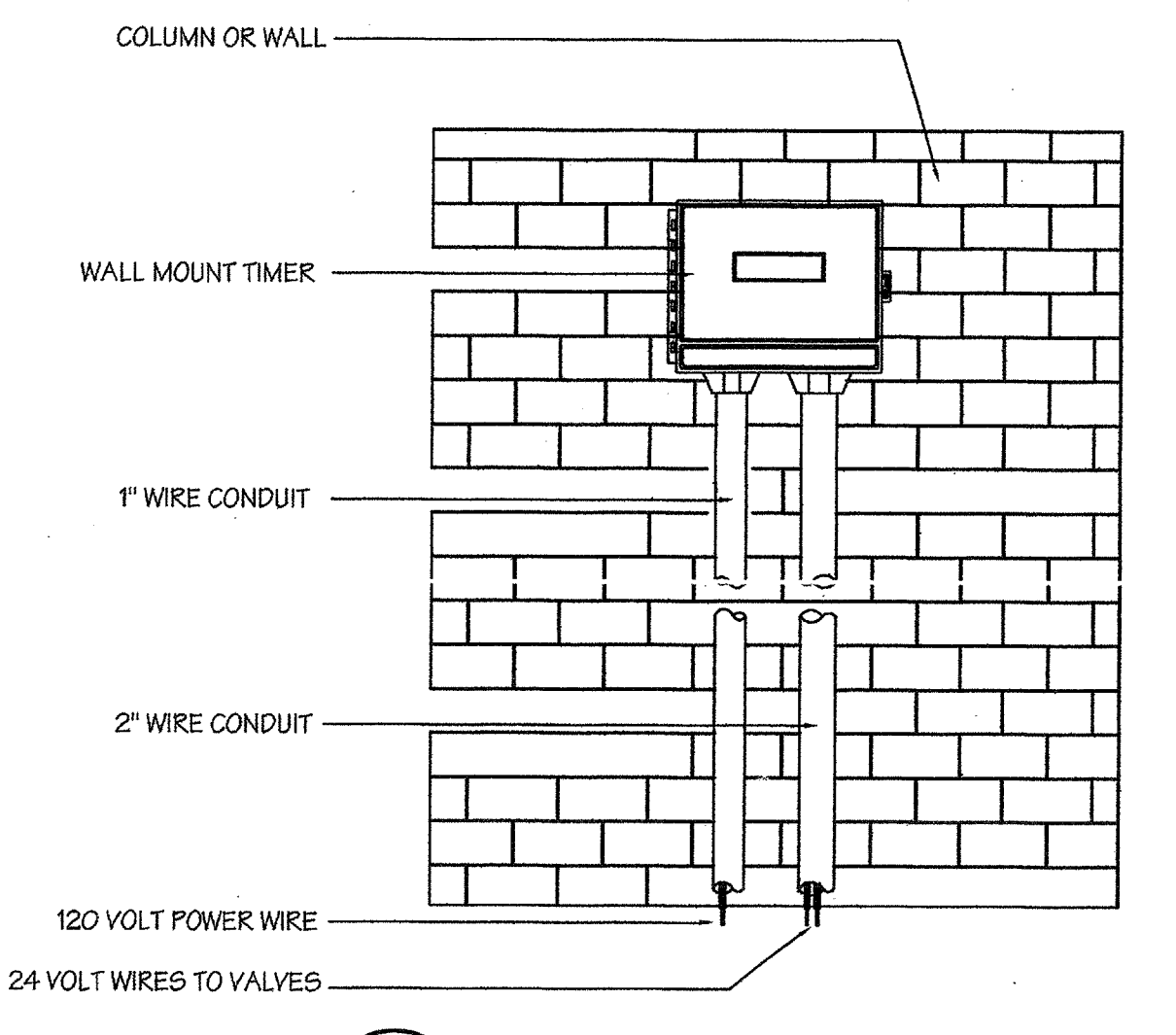
- ▲ HUNTER NO. PGP-ADJ-07 POP-UP PART CIRCLE ADJUSTABLE ROTOR SPRINKLER, INSTALLED USING A 3/4" LASCO PREFABRICATED SWING JOINT. 3.0 GPM AT 40 PSI 38" RADIUS
 - ⊙ HUNTER NO. PGP-36/1-10 POP-UP FULL CIRCLE ROTOR SPRINKLER, INSTALLED USING A 3/4" LASCO PREFABRICATED SWING JOINT. 6.0 GPM AT 40 PSI 48" RADIUS
 - TORO NO. 570Z-4P 4" POP-UP TURF SPRAY BODY, INSTALLED USING A 1/2"x18" PVC FLEX PIPE CONNECTION. REFER TO THE DETAIL DRAWING.
 - TORO NO. 570Z-12P 12" POP-UP SHRUB SPRAY BODY, INSTALLED USING A 1/2"x18" PVC FLEX PIPE CONNECTION. REFER TO THE DETAIL DRAWING.
- NOTE: REFER TO THE "NOZZLE SELECTION CHART" FOR THE PROPER NOZZLE PATTERNS FOR THE ABOVE TORO SPRAY HEADS.
- ⊙ BUCKNER NO. QB36BL07 3/4" QUICK COUPLER VALVES, TO BE INSTALLED AS LOCATED ON THE DRAWING, USING A 3/4" LASCO PREFABRICATED SWING JOINT.
 - ⊙ IRRITROL MC-18PLUS-B 24 STATION IRRIGATION CONTROLLER'S. REFER TO DRAWING. THE CONTROLLER SHALL BE EQUIPPED WITH FULL LIGHTNING PROTECTION AS RECOMMENDED BY THE MANUFACTURE. NOTE: THE CONTRACTOR SHALL ALSO INSTALL A HUNTER MINI-CLIK RAIN AND FREEZE SENSOR.
 - ⊙ WEATHER MATIC 11000FOR SERIES 24 VOLT REMOTE CONTROL ELECTRIC IRRIGATION VALVES. VALVES TO BE INSTALLED IN NDS 249C 14"x18" VALVE BOXES. INSTALL A PVC BALL VALVE SIZED THE SAME AS THE REMOTE CONTROL VALVE (REFER TO THE KEY LOCATED AT EACH VALVE FOR THE STATION NUMBER, SIZE AND GPM OF EACH VALVE). THE CONTRACTOR SHALL ALSO INSTALL A 2" MASTER VALVE ON THE DOWNSTREAM SIDE OF THE DOUBLE CHECK. THIS VALVE SHALL BE INSTALLED IN A 18" VALVE BOX.
 - ⊙ WATTS NO. 007M-2" DOUBLE CHECK VALVE BACK FLOW PREVENTER, INSTALLED IN A VALVE BOX SUITABLE IN SIZE FOR THE BACK FLOW PREVENTER. THE BACK FLOW PREVENTER SHALL BE INSTALLED AS PER ALL LOCAL AND STATE CODES. SYSTEM DEMAND IS 50 GPM @ 60 PSI.
 - ⊙ INDICATES 2" IRRIGATION WATER METER. INSTALLATION OF THE METER SHALL BE COORDINATED WITH THE OWNER OR HIS REPRESENTATIVE. SYSTEM DEMAND IS 50 GPM AT 60 PSI. CONTRACTORS BIDDING THIS PROJECT SHALL VERIFY THE WATER PRESSURE. IF PRESSURE IS LOWER THAN REQUIRED THE CONTRACTORS SHALL IMMEDIATELY NOTIFY THE ARCHITECT SO CHANGES MAY BE MADE TO THE DRAWINGS TO REFLECT THE LOWER PRESSURE. FAILURE TO DO SO SHALL OBLIGATE THE CONTRACTOR FOR ANY CHANGES NEEDED AFTER THE SYSTEM IS INSTALLED.
- INDICATES PVC CL-200 MAIN LINE PIPE ROUTING. REFER TO DRAWINGS FOR SIZE.
 - - - INDICATES PVC CL-200 LATERAL LINE PIPING DOWNSTREAM OF THE REMOTE CONTROL VALVES. REFER TO THE DRAWING FOR SIZING.
 ■ INDICATES PVC SCH. 40 PIPE SLEEVES UNDER PAVED AREAS, AND SIDEWALKS. SLEEVES NOT SIZED ON DRAWING ARE 2"



Pop-up Rotor Detail

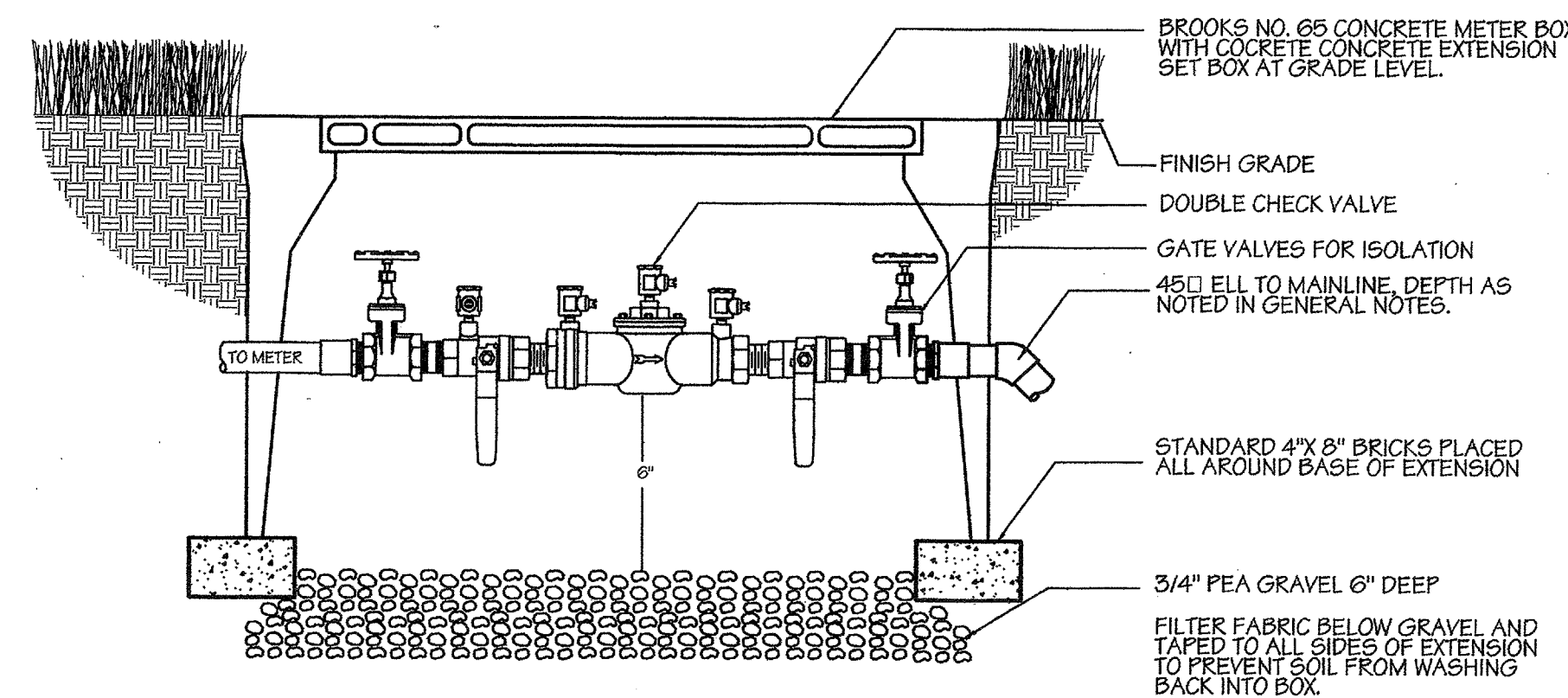


Toro 570Z-4P Spray Detail

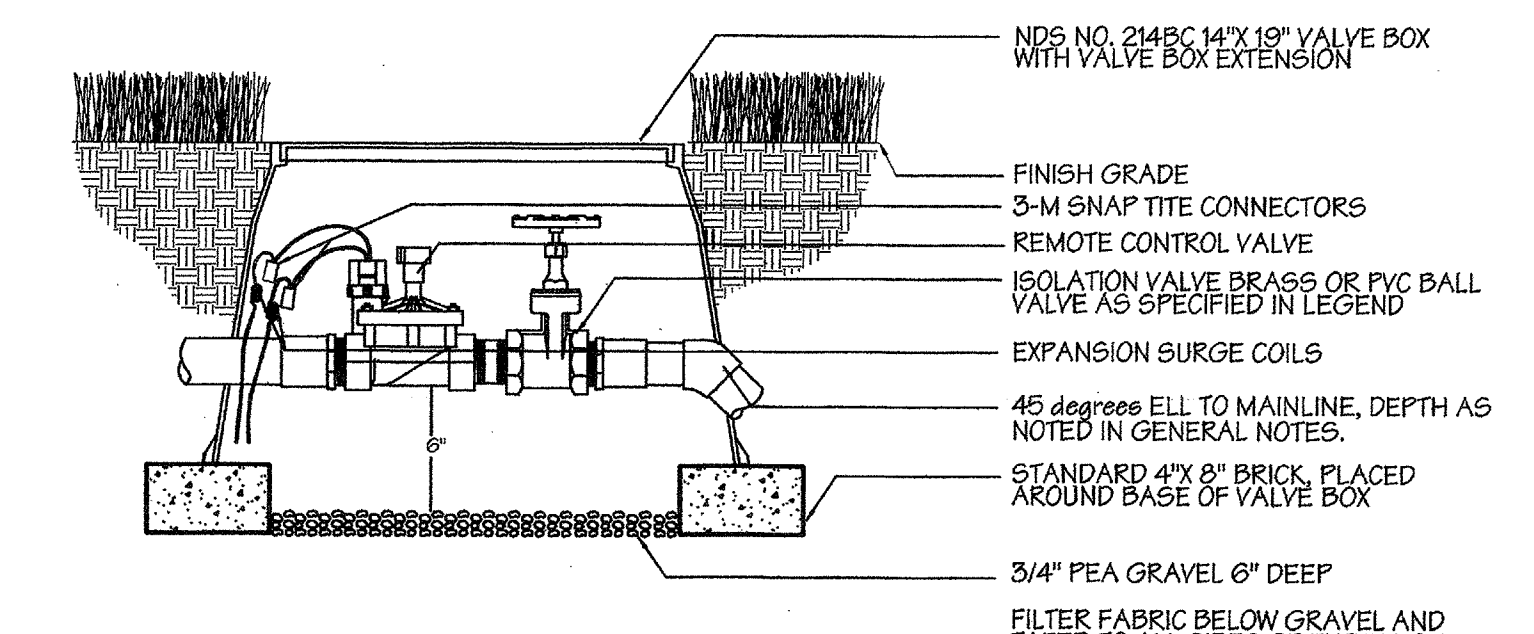


Wall Mount Controller

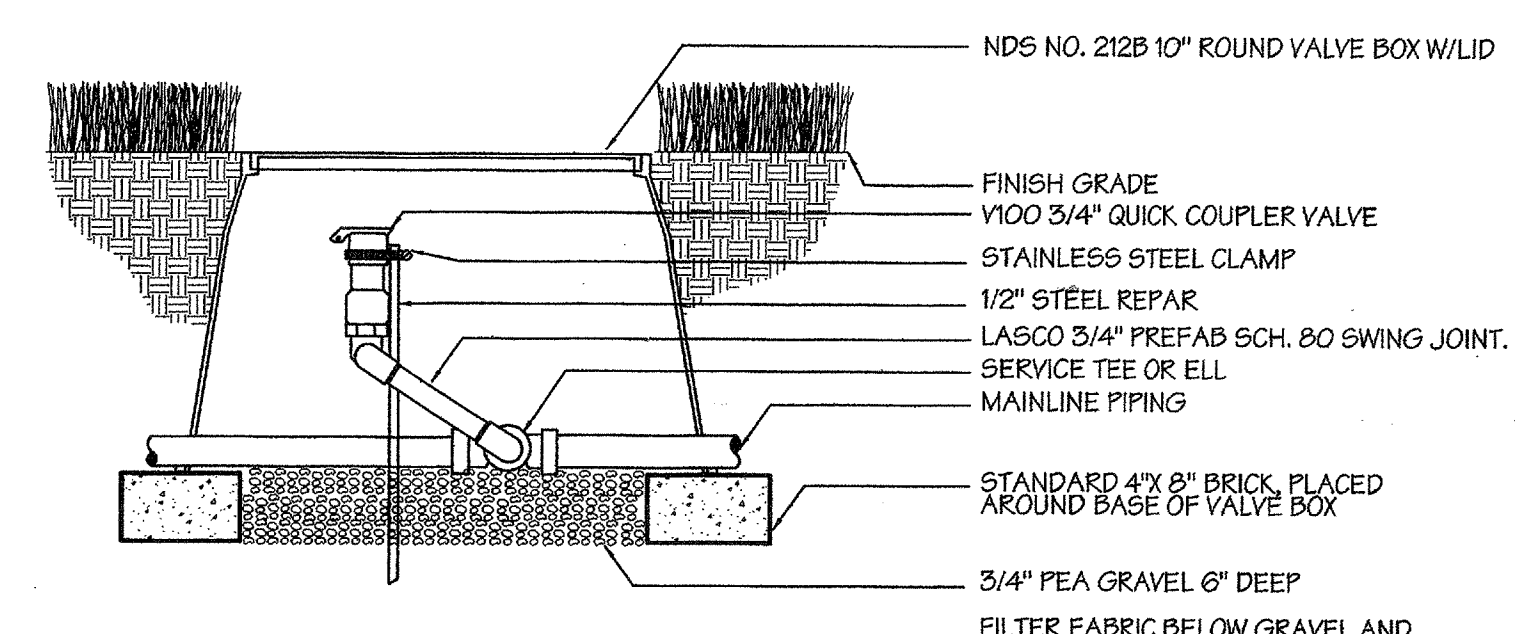
NOZZLE SELECTION CHART				
SPEC. NO.	P.S.I.	G.P.M.	RADIUS	PATTERN
A 15-F	30	3.00	15'	FULL
B 15-TQ	30	2.60	15'	THREE QUARTER
C 15-TT	30	2.00	15'	TWO THIRD
D 15-H	30	1.65	15'	HALF
E 15-T	30	1.00	15'	ONE THIRD
F 15-Q	30	.85	15'	QUARTER
G 4-EST	30	.45	4'X15'	END STRIP
H 4-CST	30	.30	4'X30'	CENTER STRIP
J 4-SST	30	.30	4'X30'	SIDE STRIP
K 12-F	30	1.92	12'	FULL
L 12-TT	30	1.55	12'	THREE QUARTER
M 12-TT	30	1.12	12'	TWO THIRD
N 12-H	30	.75	12'	HALF
P 12-T	30	.57	12'	ONE THIRD
R 12-Q	30	.50	12'	QUARTER
S 10-F	30	1.49	10'	FULL
T 10-H	30	.71	10'	HALF
U 10-Q	30	.40	10'	QUARTER
V 10-T	30	.52	10'	ONE THIRD
W 8-T	30	.52	8'	ONE THIRD
X 8-H	30	.50	8'	HALF
Y 8-Q	30	.40	8'	QUARTER
Z VAN	30	VARIABLES	VARIABLES	ADJUSTABLE



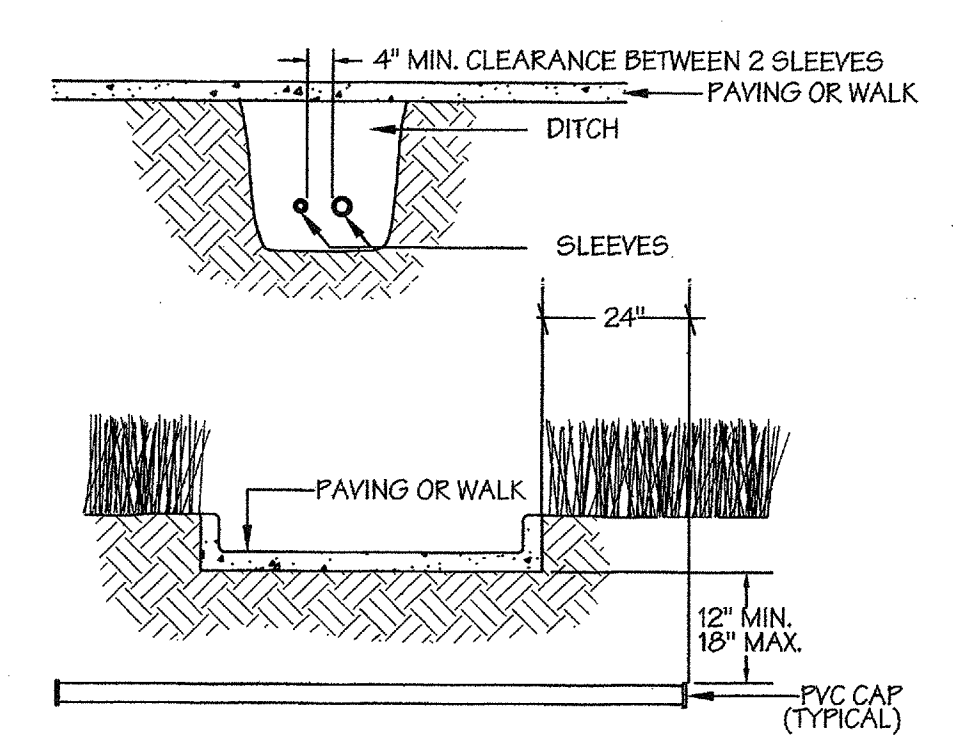
Double Check Backflow Preventer



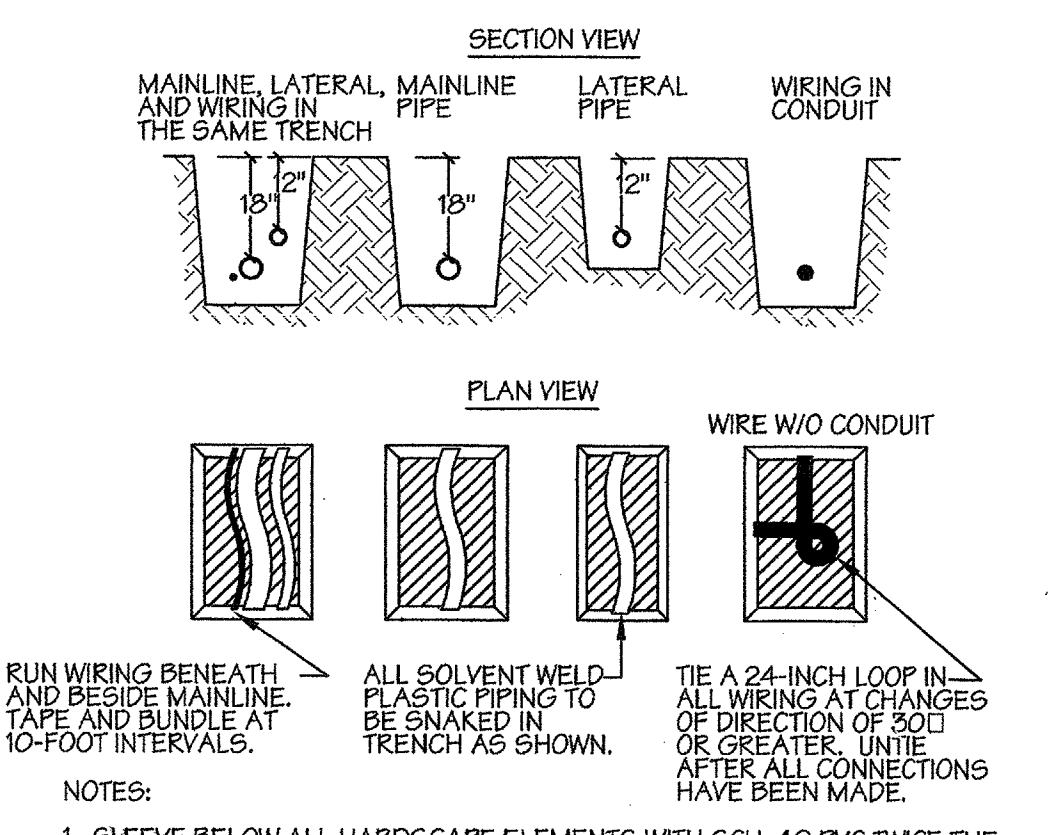
Weather Matic Remote Control Valve



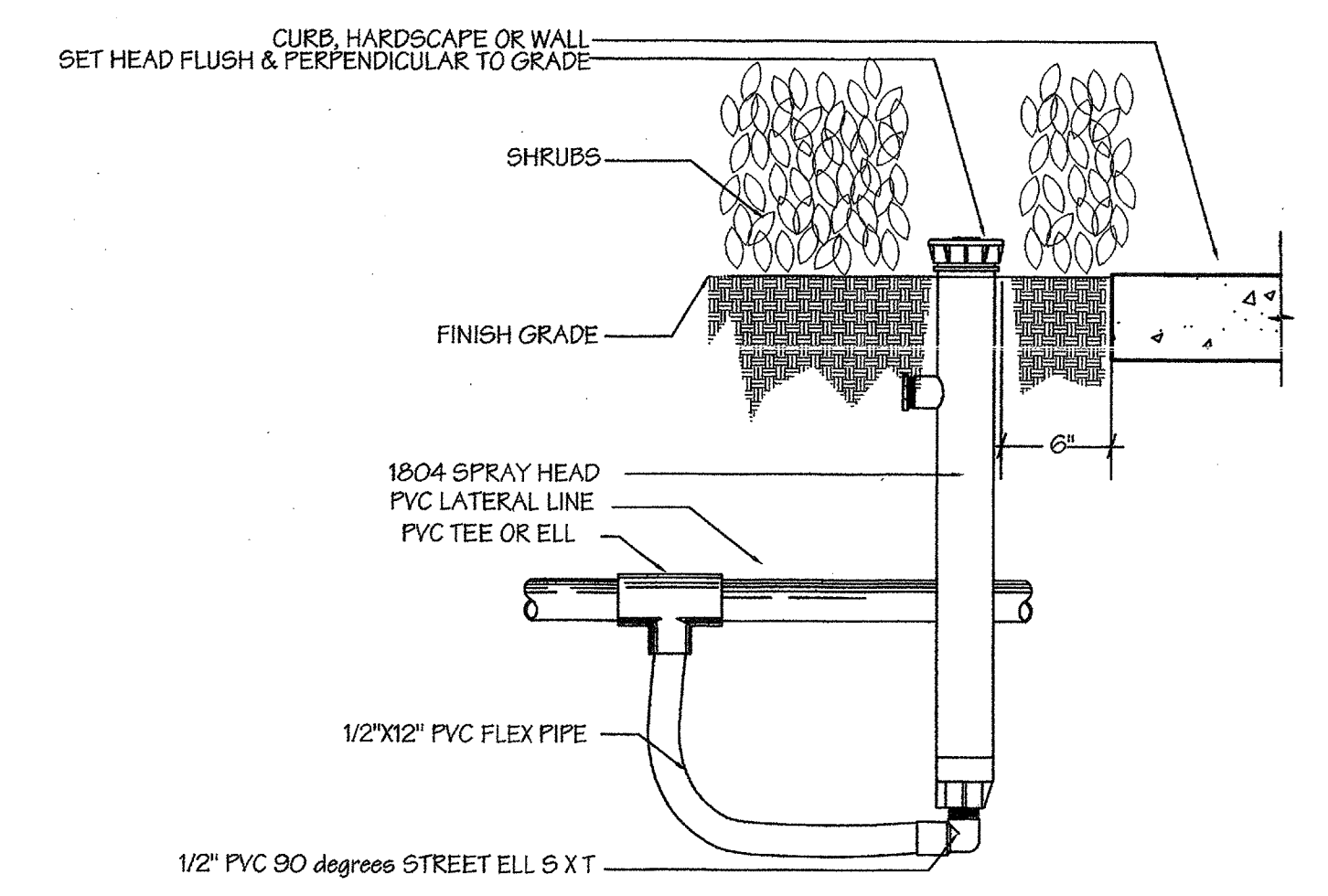
Quick Coupler Valve



Sleeve Detail



Pipe & Wire Trenching



Toro 570Z-12P Spray Detail

GENERAL NOTES

- 1) REFER TO THE LANDSCAPE PLANS WHEN TRENCHING TO AVOID TREES AND SHRUBS.
- 2) ALL MAINLINE PIPING SHALL BE BURIED TO A MINIMUM DEPTH OF 18" OF COVER. ALL LATERAL PIPING SHALL BE BURIED TO A MINIMUM DEPTH OF 12" OF COVER.
- 3) ADJUST ALL NOZZLES TO REDUCE WATER WASTE ON HARD SURFACES & BLDG. WALLS.
- 4) THROTTLE ALL VALVES ON SHRUB LINES AS REQUIRED TO PREVENT FOGGING.
- 5) ALL CONTROL WIRE SPLICES SHALL BE MADE IN VALVE BOXES USING SNAP-TITE CONNECTORS AND SEALANT.
- 6) THE CONTRACTOR SHALL PREPARE AN AS-BUILT DRAWING ON A REPRODUCIBLE MYLAR FILM SHOWING ALL IRRIGATION INSTALLATION. A MYLAR SEPIA OF THE ORIGINAL PLAN MAY BE OBTAINED FROM THE OWNER FOR REPRODUCTION BY THE CONTRACTOR AT HIS COST. THE DRAWING SHALL LOCATE ALL MAINLINE AND VALVES BY SHOWING EXACT MEASUREMENTS FROM HARD SURFACES.
- 7) ALL VALVES, GATE VALVES AND QUICK COUPLERS SHALL BE INSTALLED IN VALVE BOXES.
- 8) ANY PIPING SHOWN OUTSIDE THE PROPERTY LINE OR RUNNING OUTSIDE A LANDSCAPE AREA IS SHOWN THERE FOR CLARITY ONLY. ALL LINES SHALL BE INSTALLED ON THE PROPERTY AND INSIDE THE LANDSCAPE AREAS.
- 9) ALL RISERS SHALL BE INSTALLED 12" FROM ANY WALL AND A MINIMUM OF 12" FROM ANY SIDEWALK, PATIO OR ROAD.
- 10) THE EXACT HEIGHT OF ANY 12" POP-UP THAT IS SHOWN IN A SHRUB BED SHALL BE DETERMINED BY THE LANDSCAPE ARCHITECT IN THE FIELD.
- 11) THE CONTRACTOR SHALL EXERCISE CARE SO AS NOT TO DAMAGE ANY EXISTING UTILITIES. THE CONTRACTOR SHALL BE RESPONSIBLE FOR THE IMMEDIATE REPAIRS AND COST OF ANY DAMAGE CAUSED BY HIS WORK.
- 12) ALL WORK SHALL BE GUARANTEED FOR ONE YEAR FROM THE DATE OF FINAL ACCEPTANCE AGAINST ALL DEFECTS IN EQUIPMENT AND WORKMANSHIP.
- 13) ELECTRICAL SERVICE TO THE IRRIGATION CONTROLLER SHALL BE COORDINATED BY THE CONTRACTOR WITH THE OWNER OR HIS REPRESENTATIVE. POWER WIRING TO THE CONTROLLER SHALL BE PERFORMED BY A LICENSED ELECTRICIAN.
- 14) PIPING TO A SINGLE SPRAY HEAD SHALL BE 3/4" PVC CL-200 PIPE.