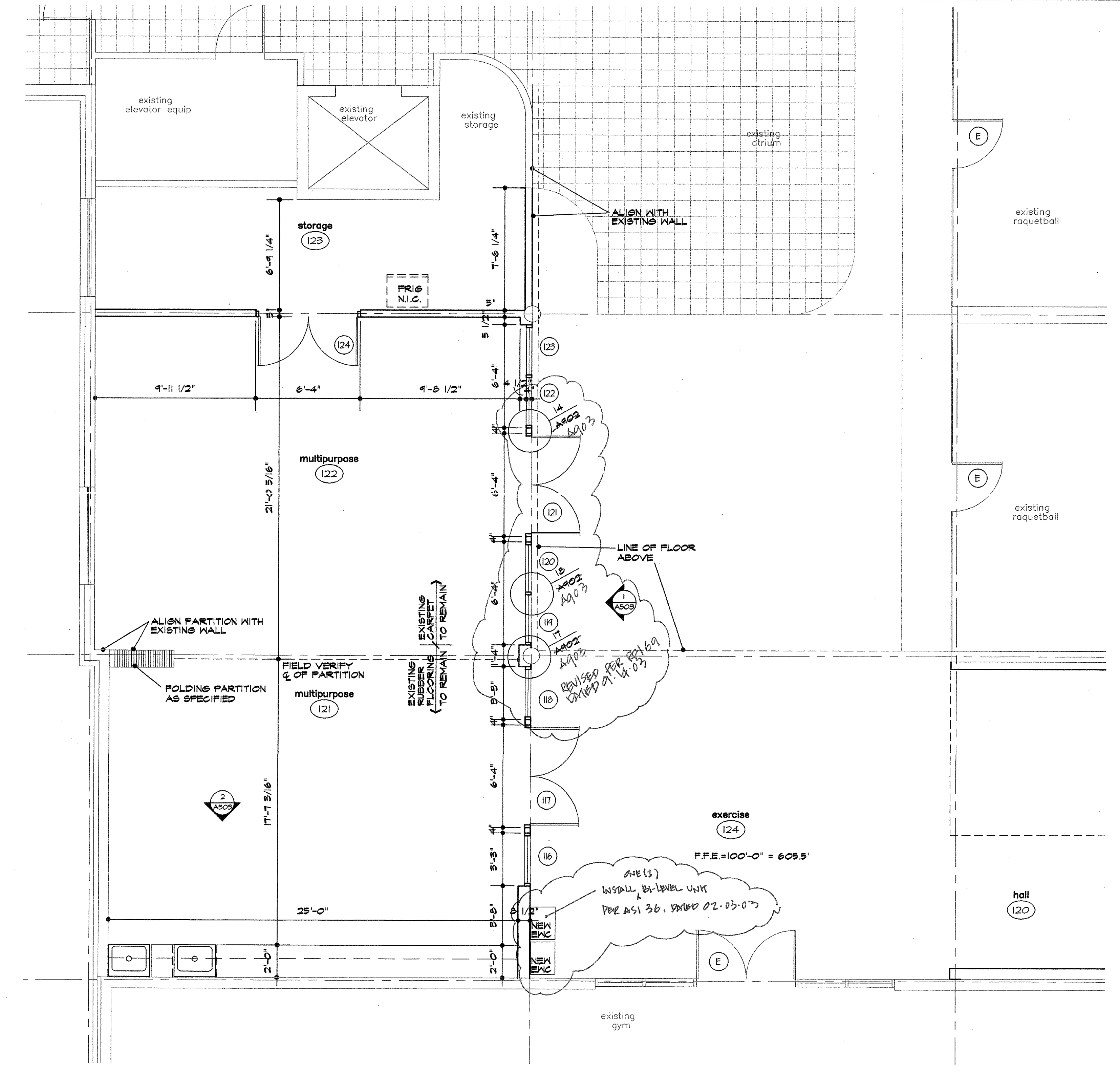


**bath & access. legend**

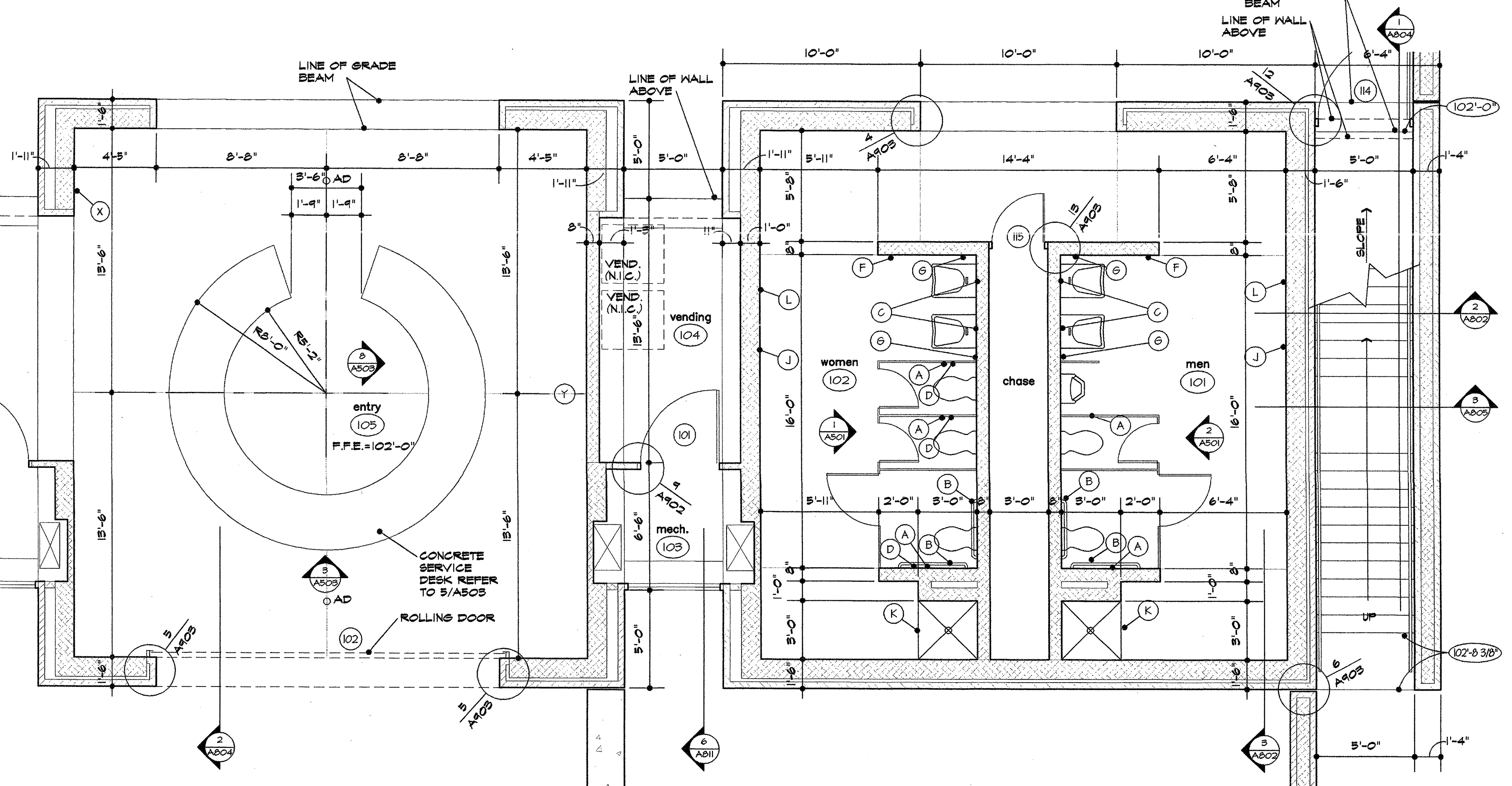
- (A) TOILET PAPER DISPENSER
- (B) GRAB BAR
- (C) FRAMED MIRROR (STAINLESS STEEL)
- (D) FEMINE NAPKIN DISPOSAL
- (E) FRAMED MIRROR (GLASS)
- (F) TOWEL DISPENSER & WASTE RECEPTACLE
- (G) SOAP DISPENSER - WALL MOUNTED
- (H) UNFRAMED MIRROR
- (I) MOP & BROOM HOLDER
- (J) CHANGING TABLE
- (K) SHOWER ACCESSORIES
- (L) ELECTRIC HAND DRYER
- (M) FIRE EXTINGUISHER
- (N) DEDICATION PLAQUE

**wall legend**

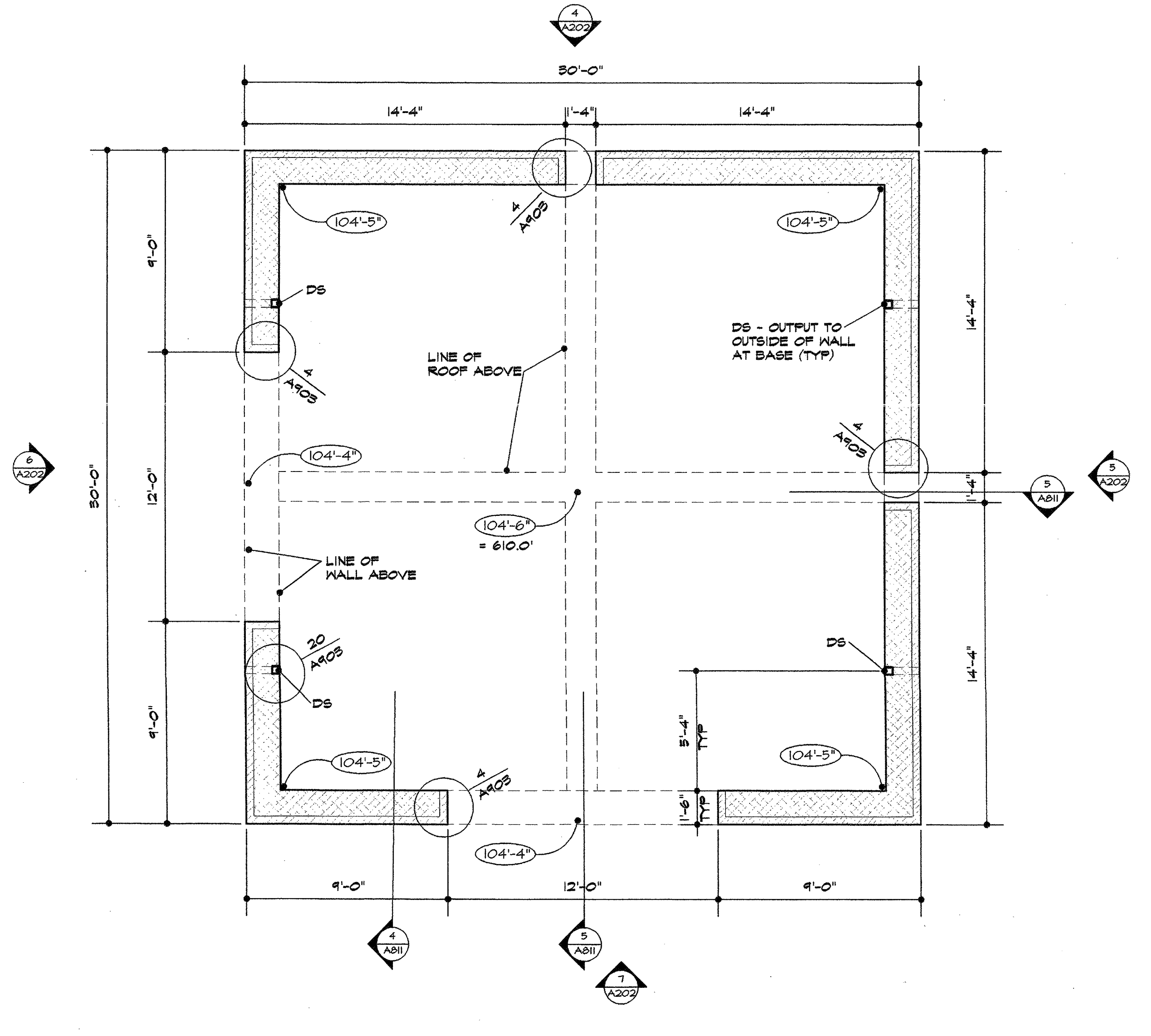
- CONCRETE
- CMU
- FACE BRICK
- GYP. BD. ON METAL STUDS
- EXISTING WALL



**2 detail floor plan**  
 1/4"=1'-0"



**1 detail floor plan**  
 1/4"=1'-0"



**3 detail floor plan- alt #4**  
 1/4"=1'-0"