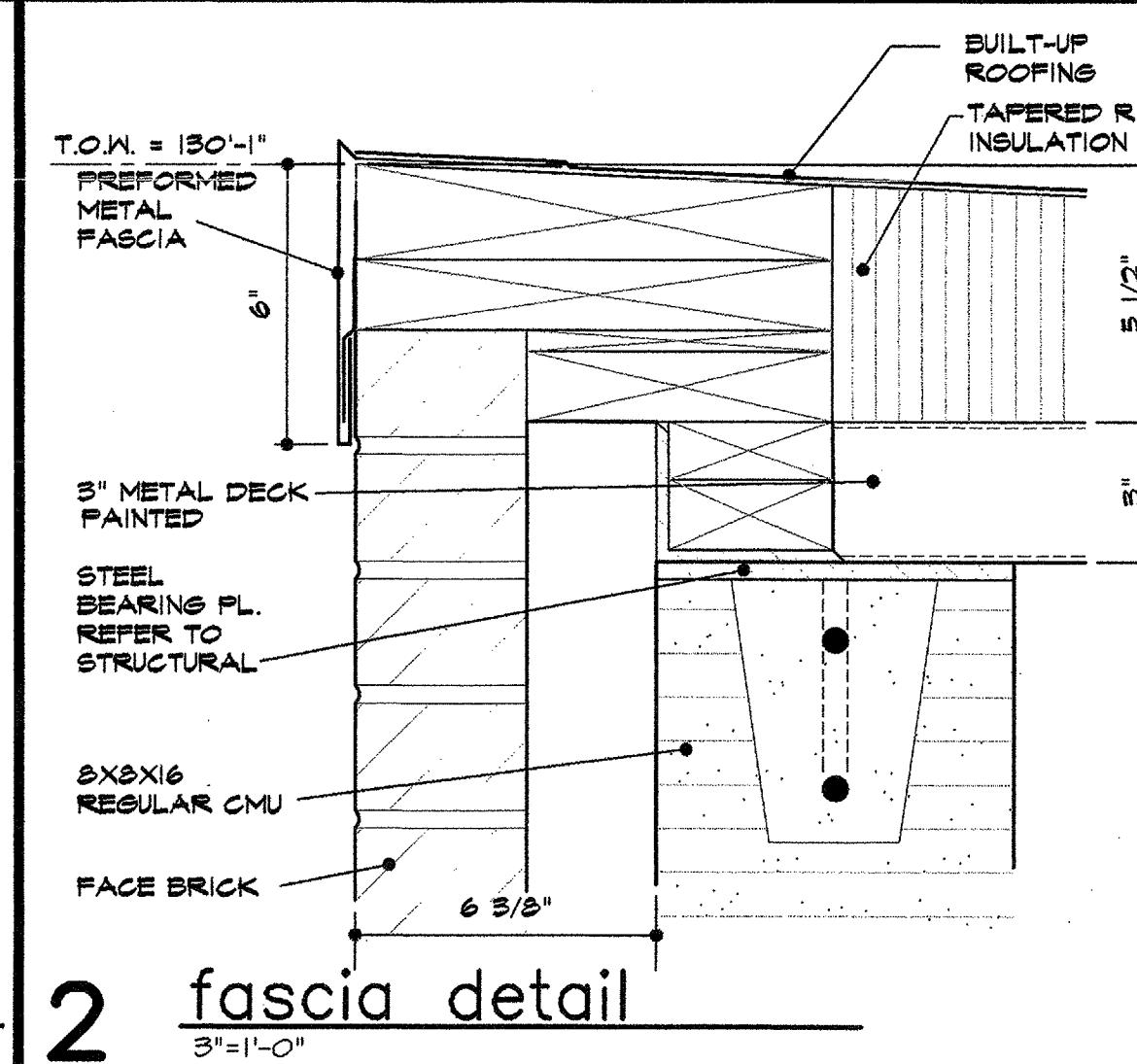
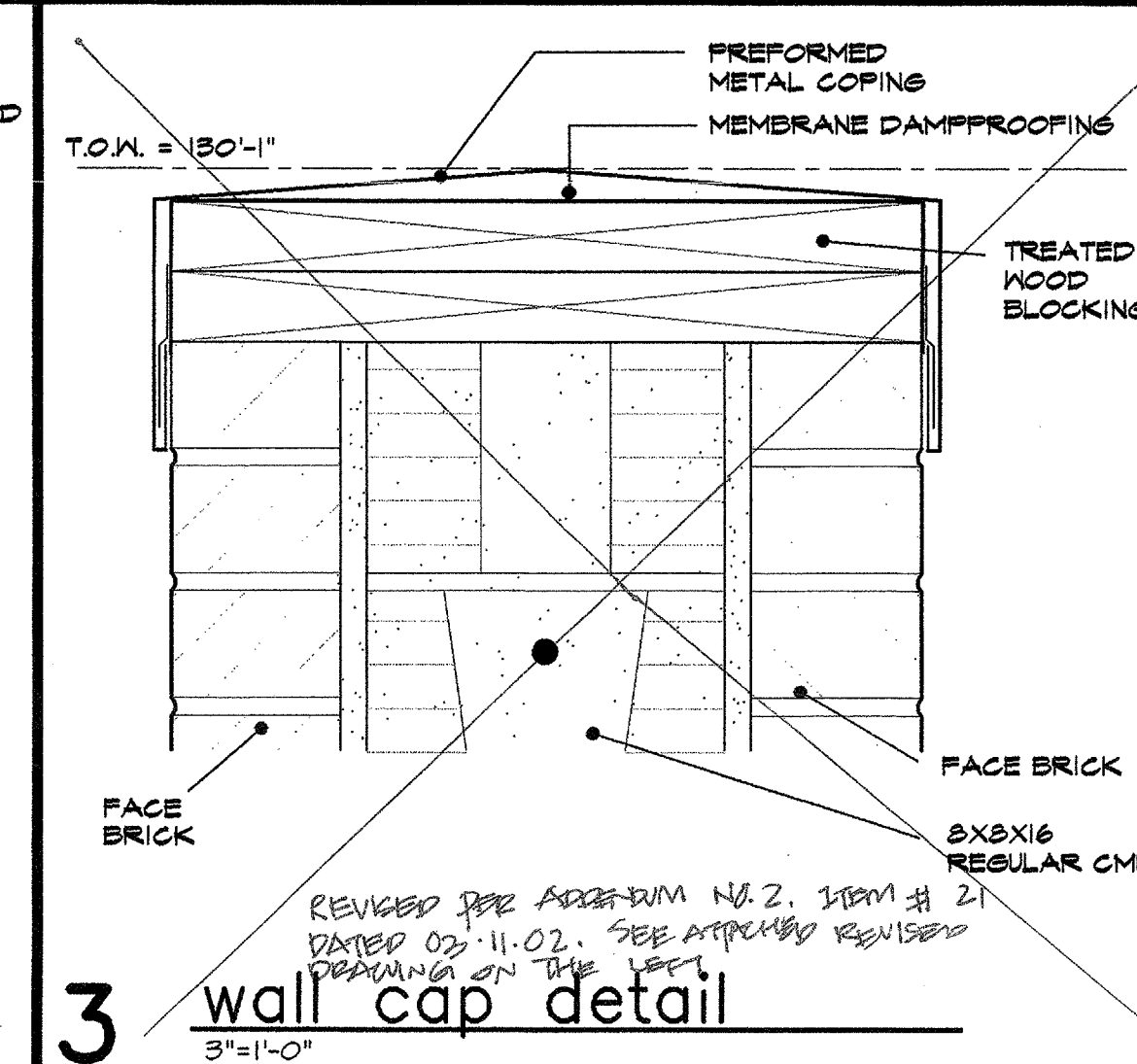


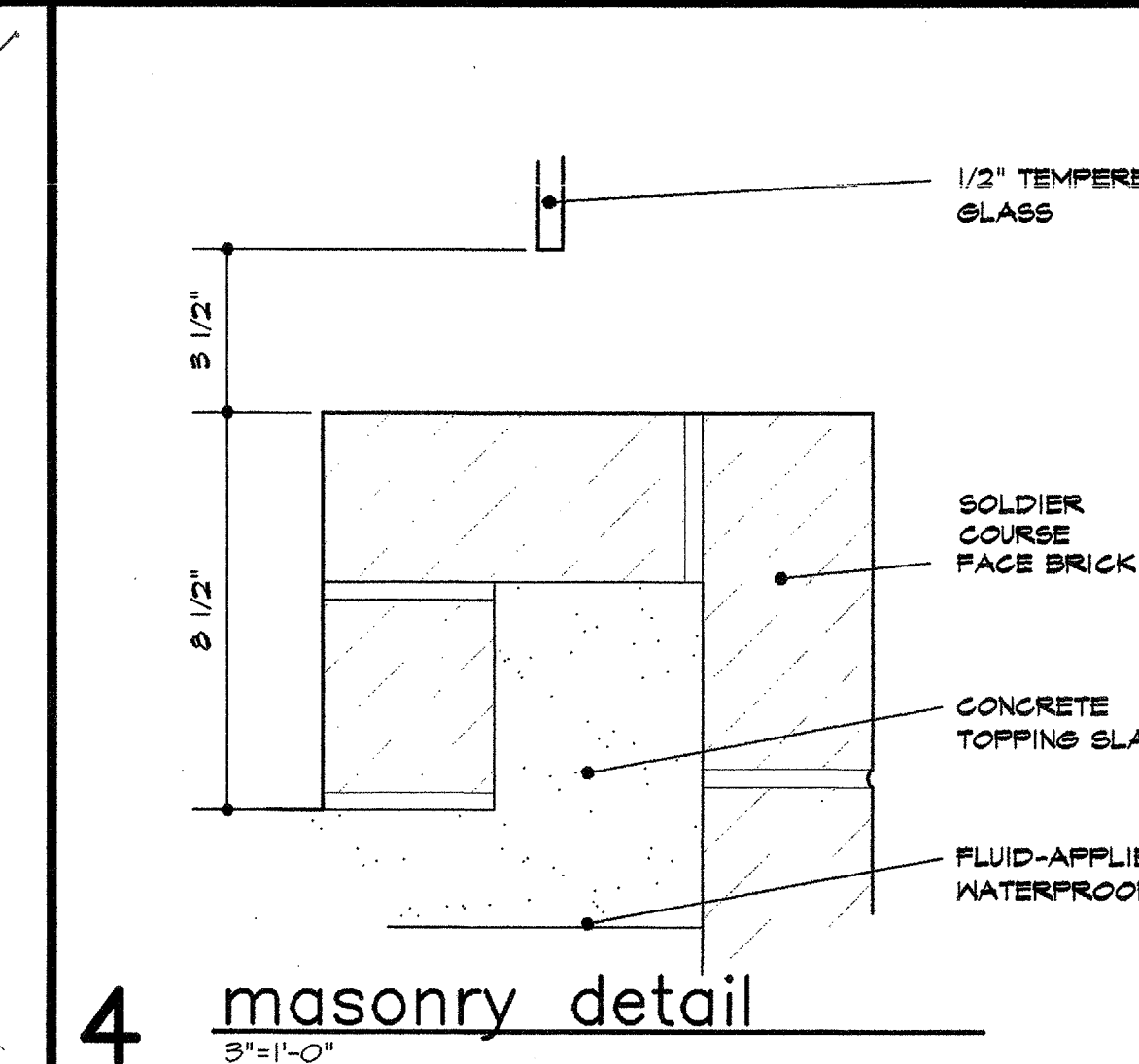
1 fascia/curtainwall hd detail
 3\"/>



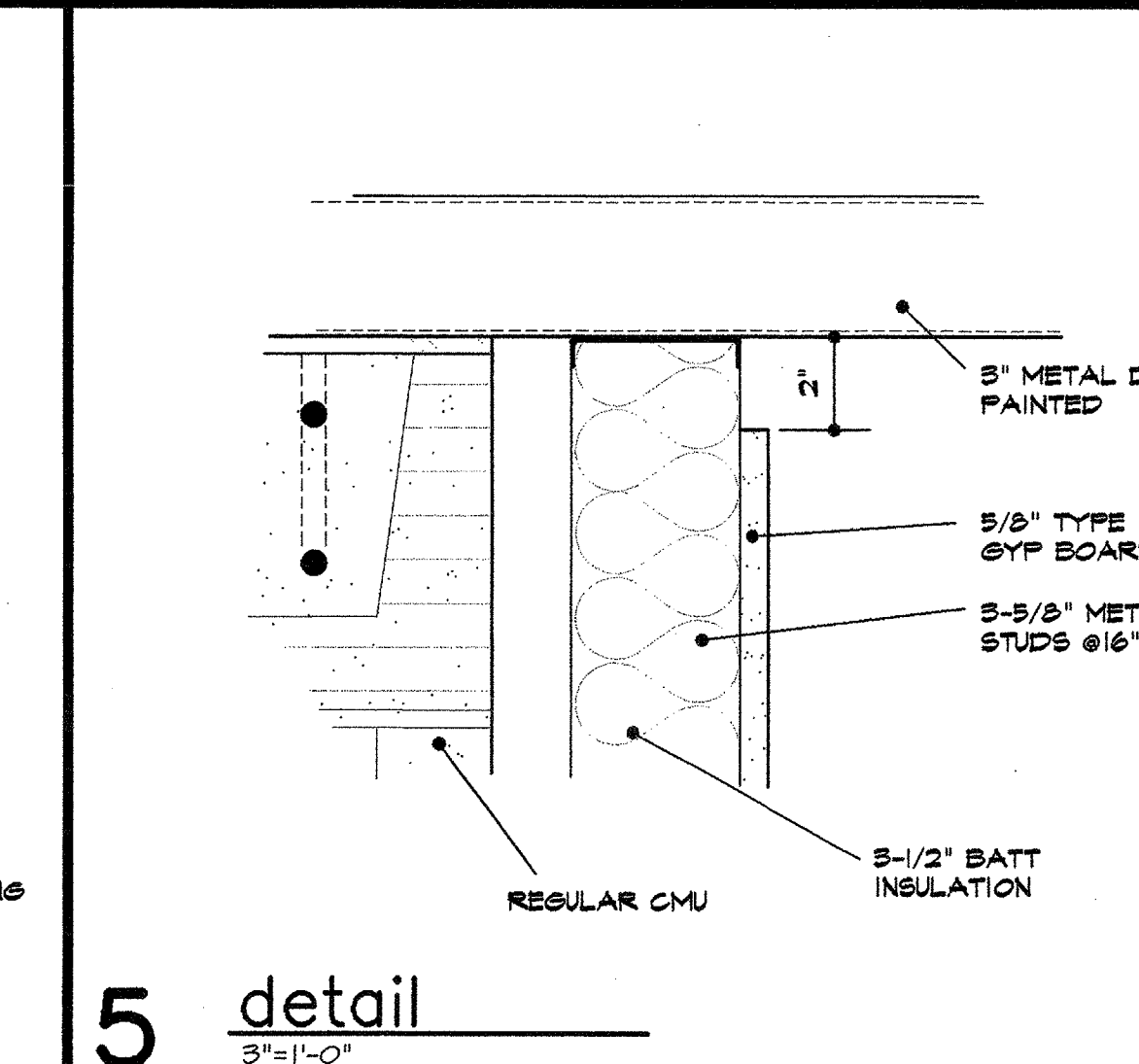
2 fascia detail
 3\"/>



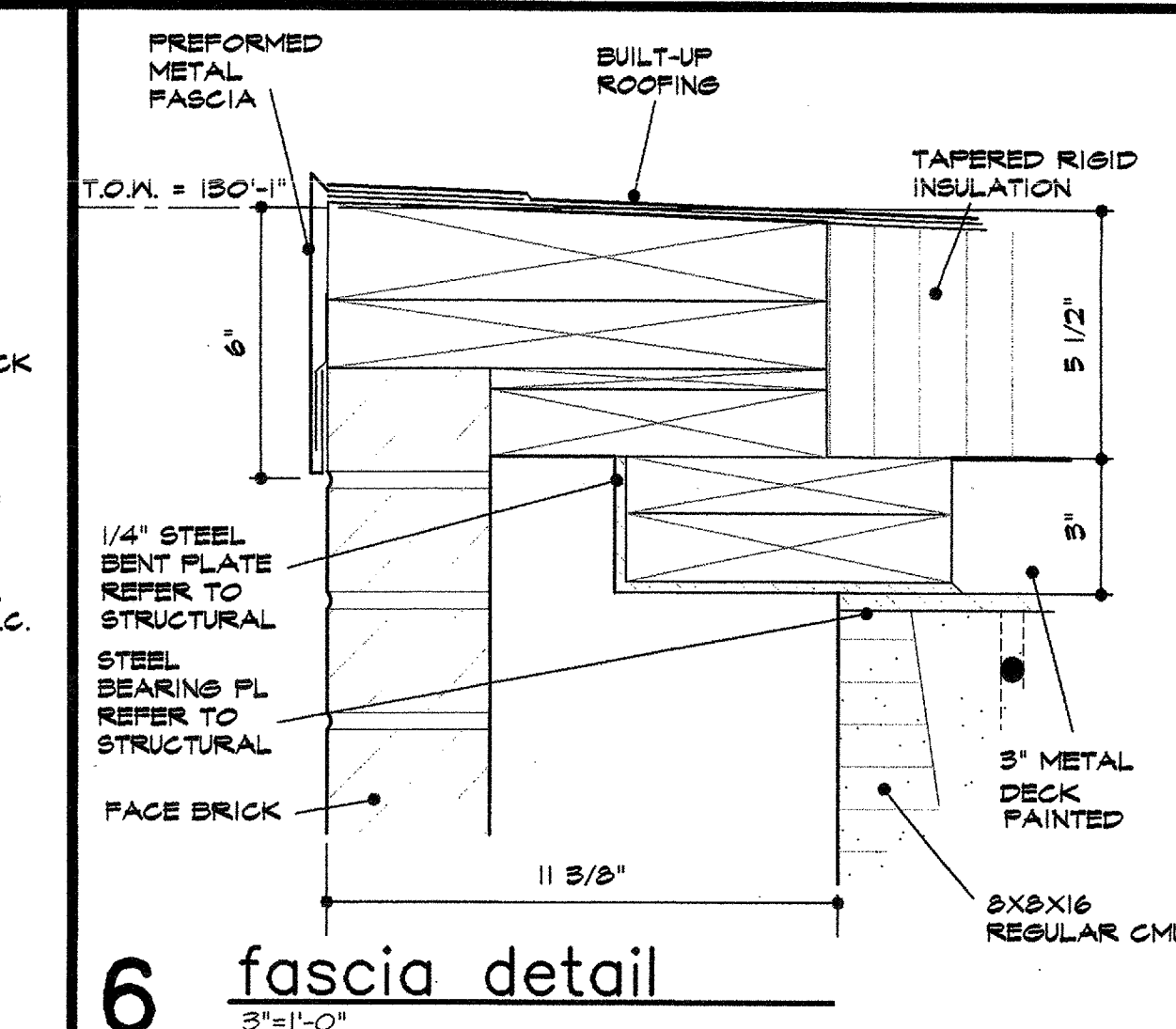
3 wall cap detail
 3\"/>



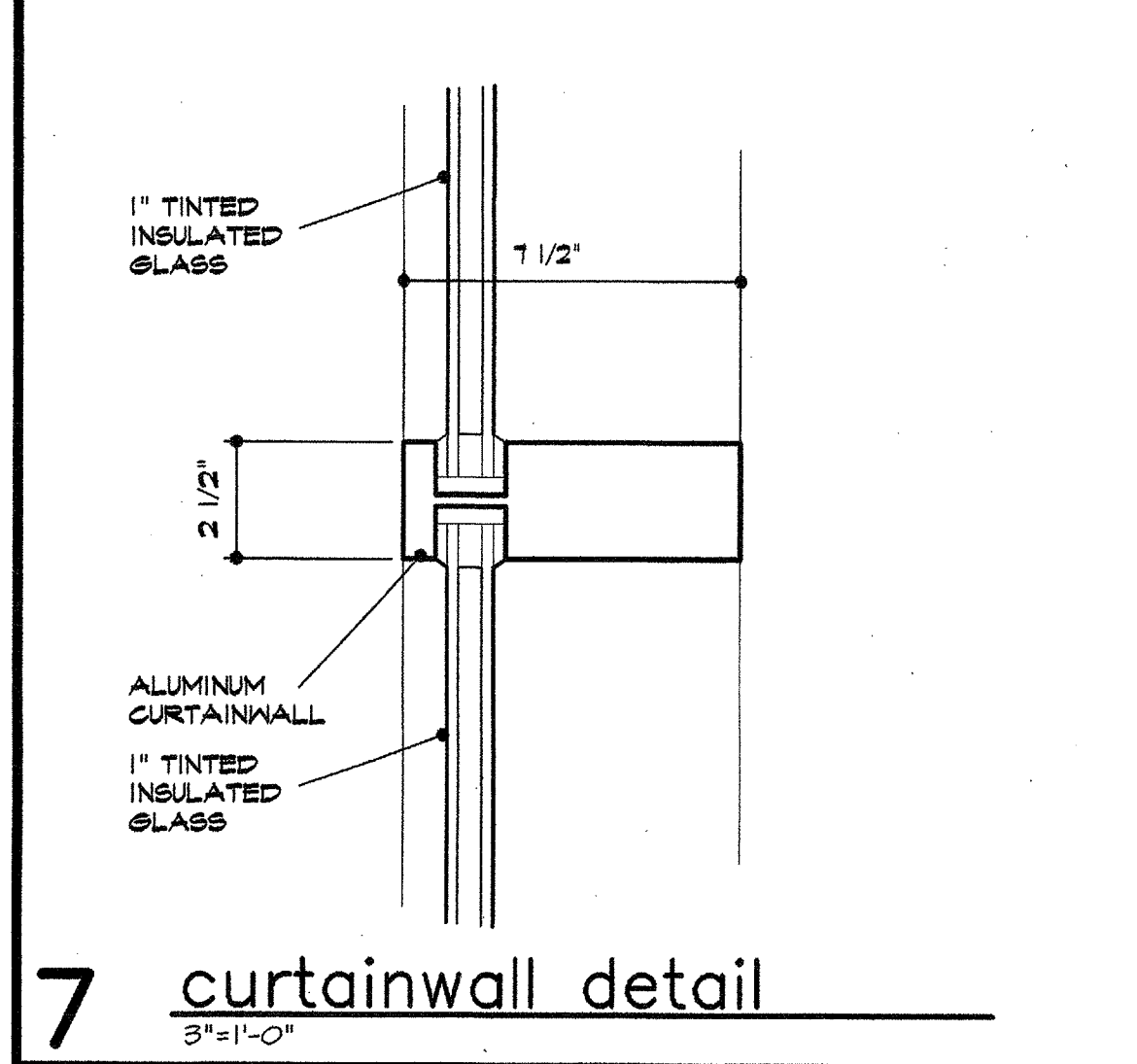
4 masonry detail
 3\"/>



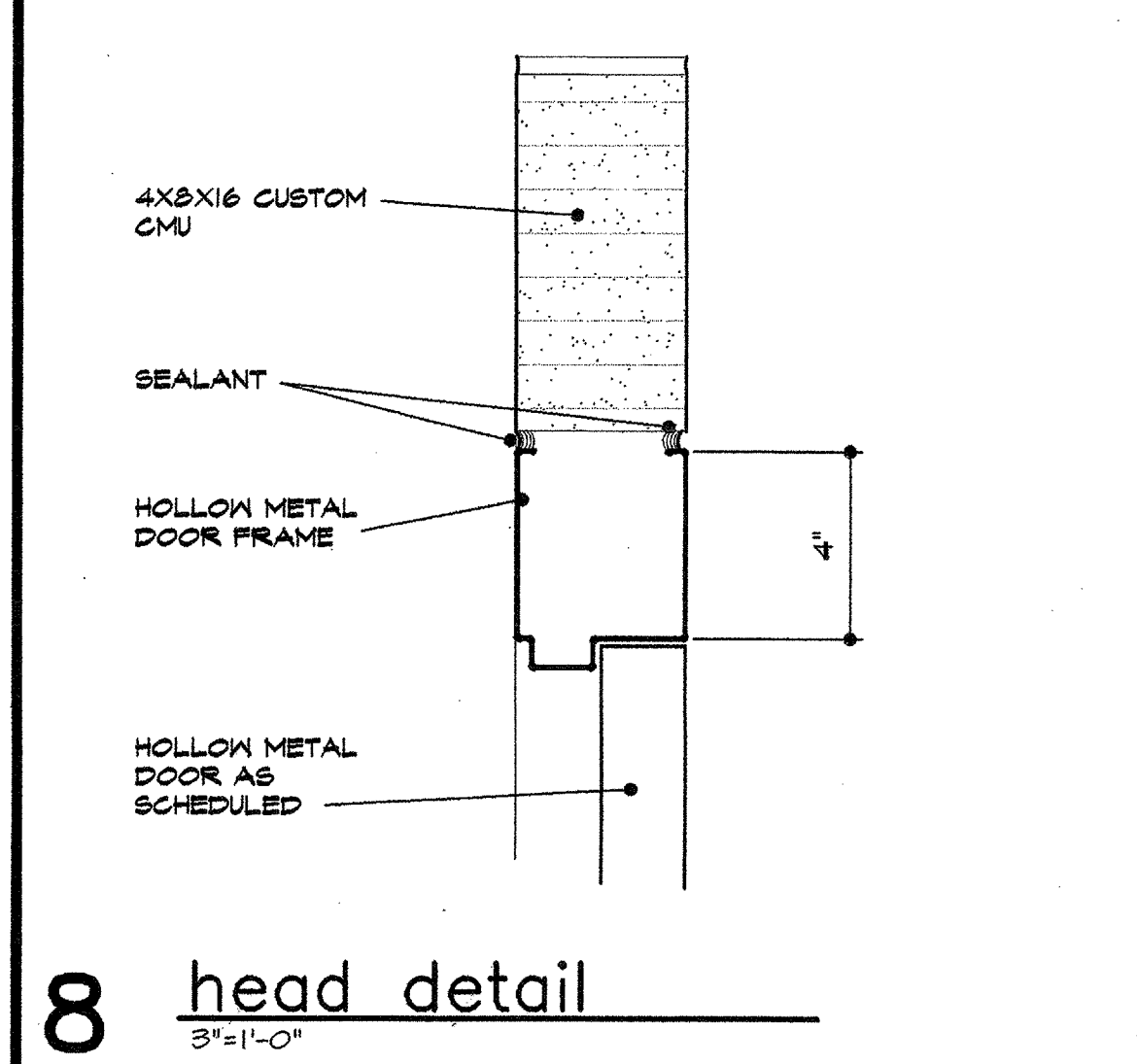
5 detail
 3\"/>



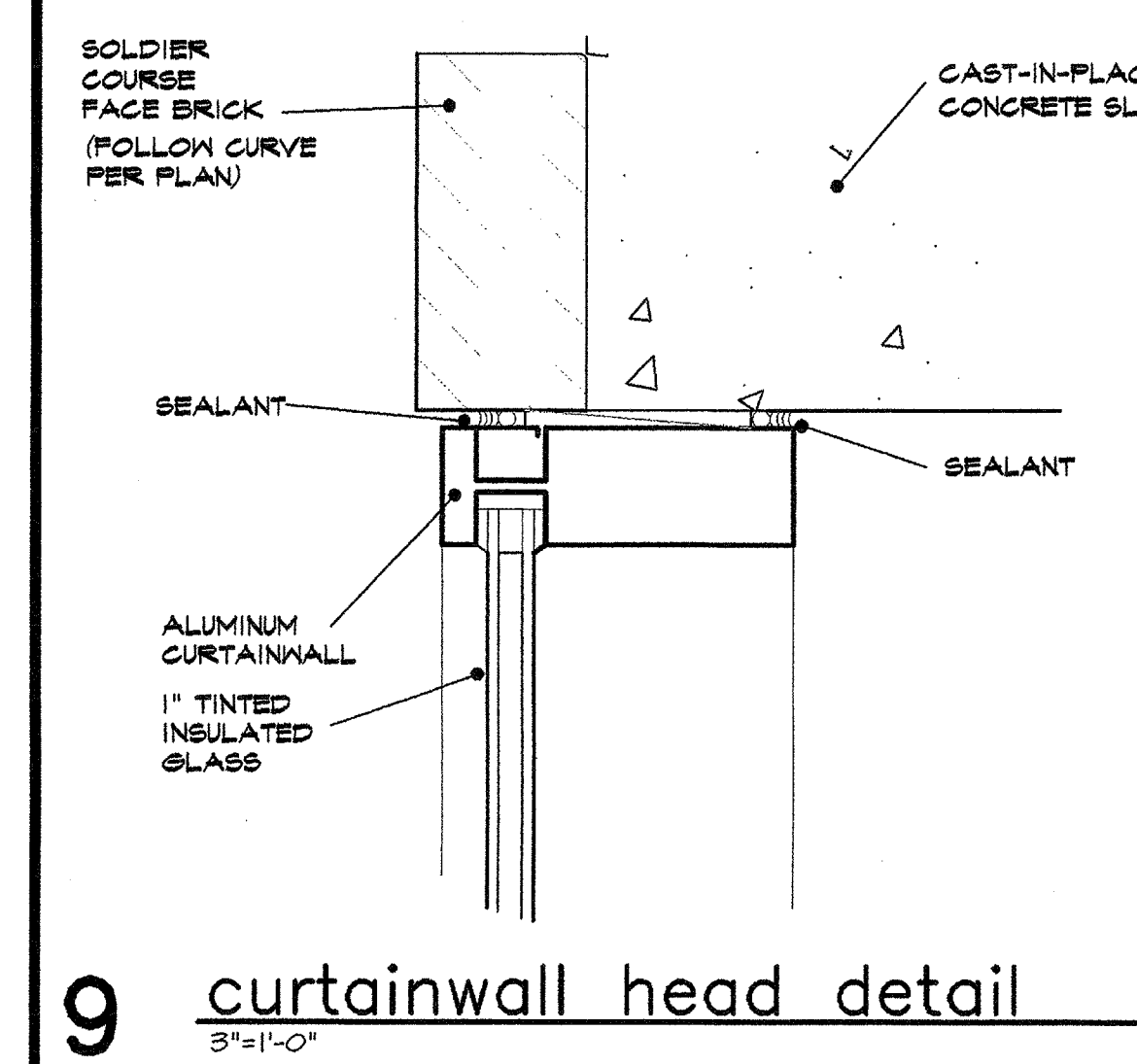
6 fascia detail
 3\"/>



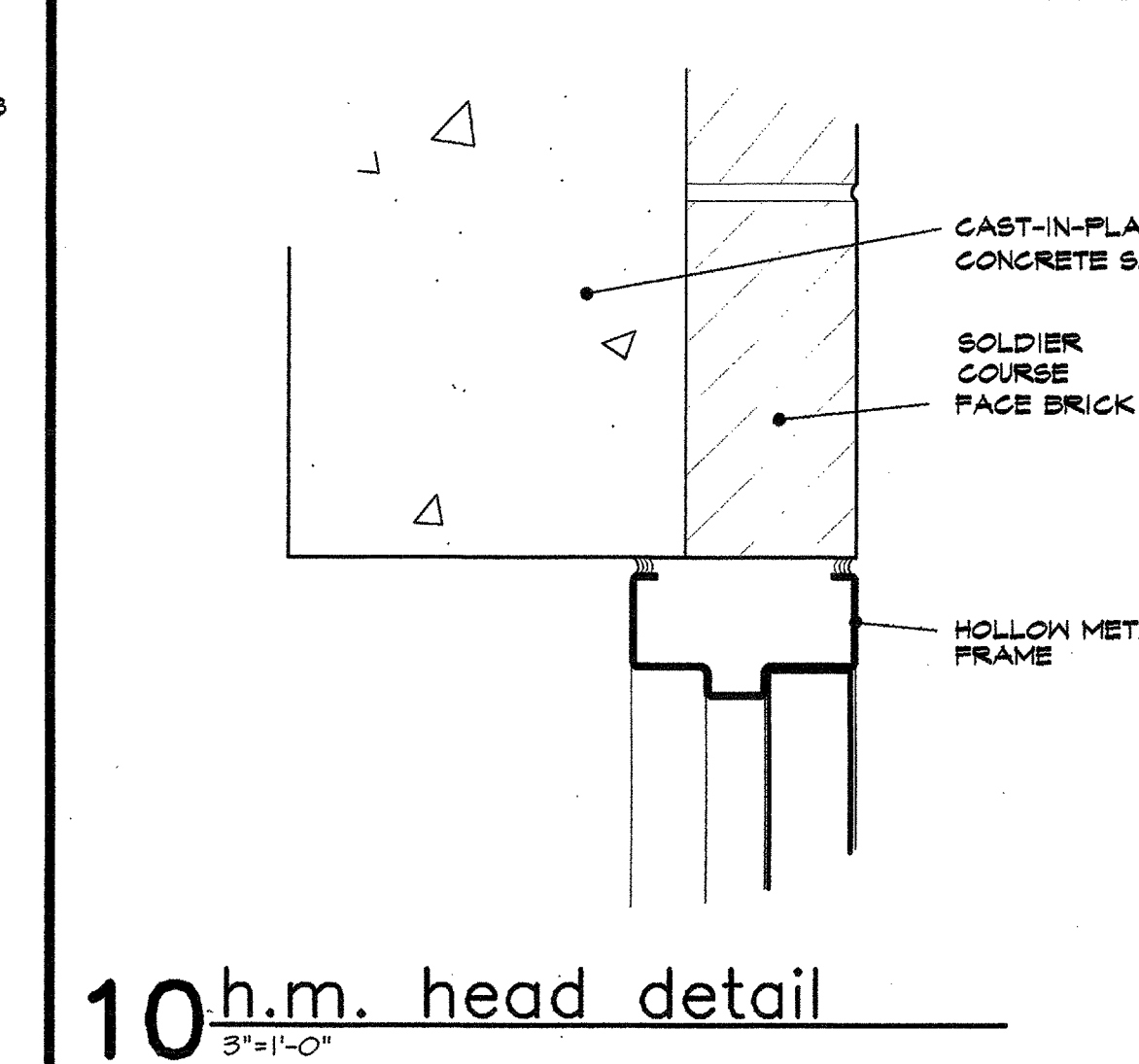
7 curtainwall detail
 3\"/>



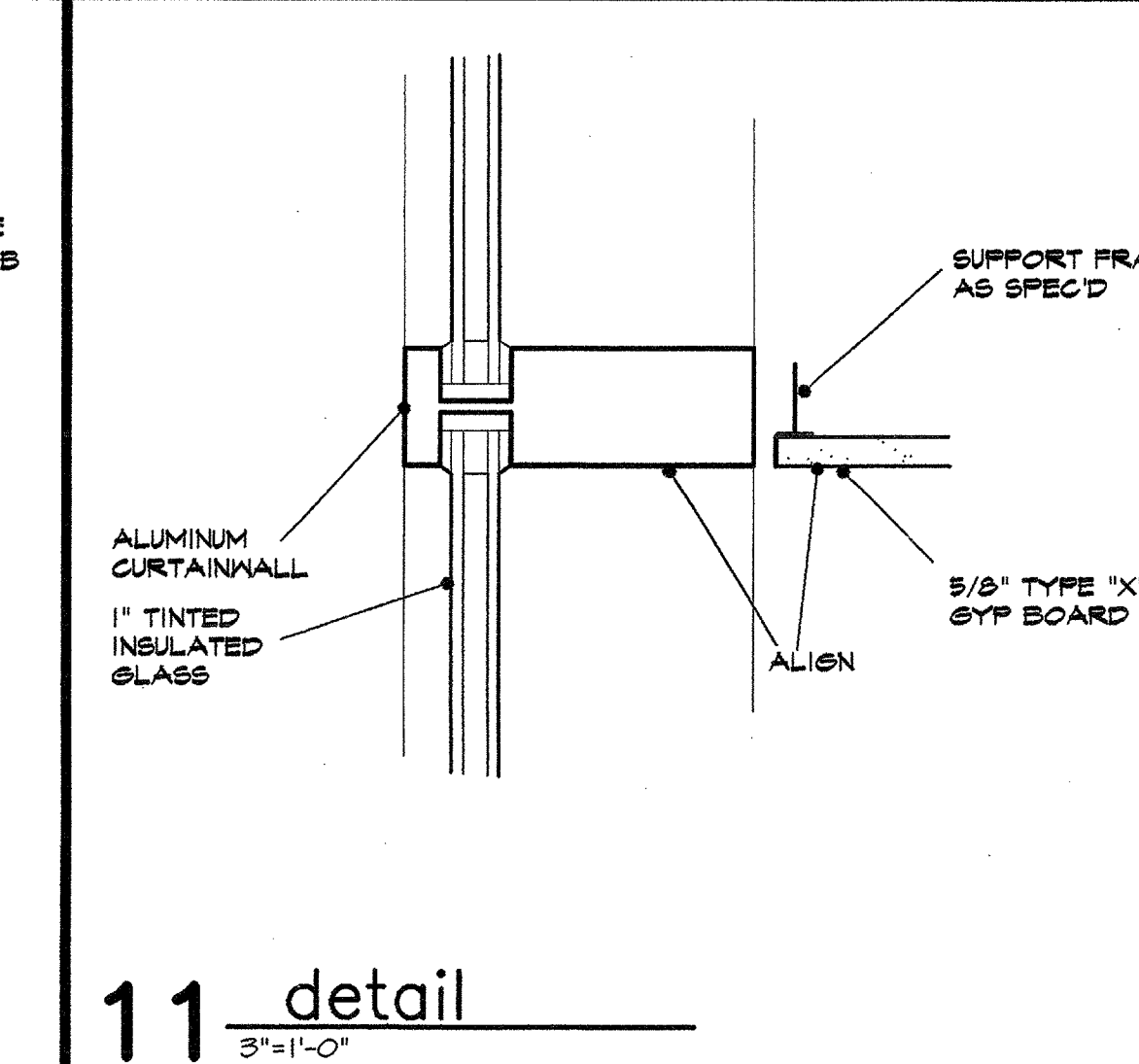
8 head detail
 3\"/>



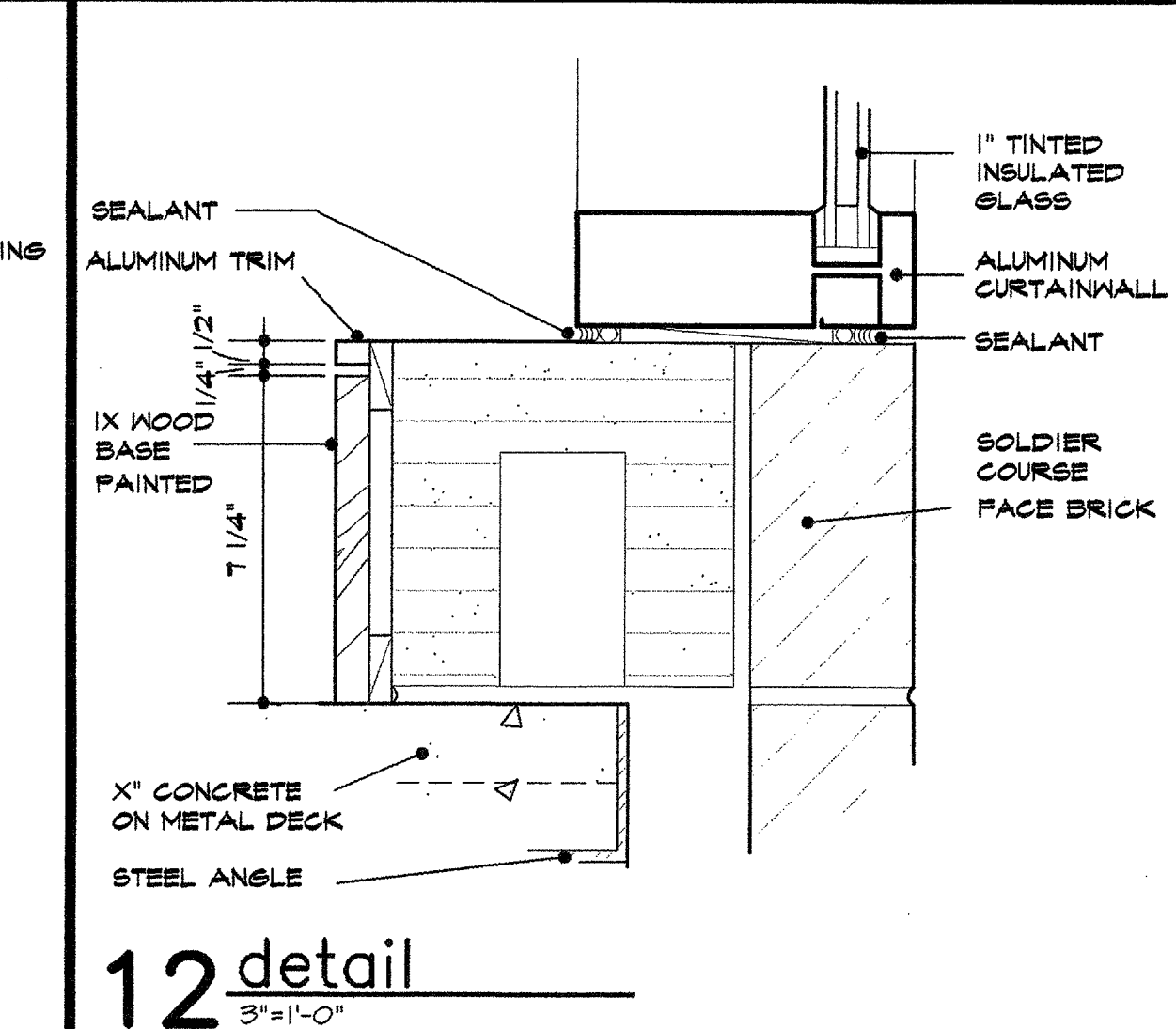
9 curtainwall head detail
 3\"/>



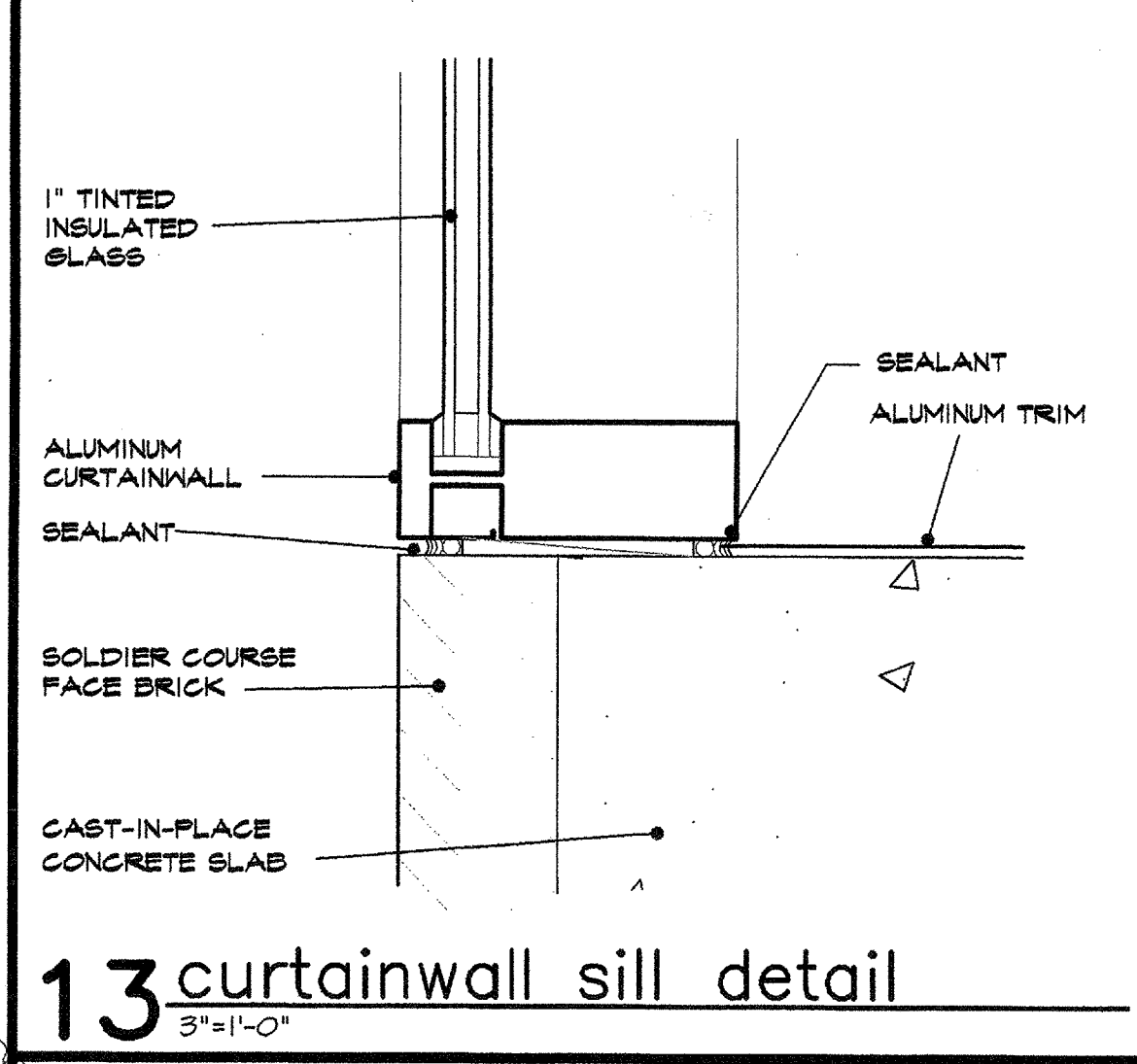
10 h.m. head detail
 3\"/>



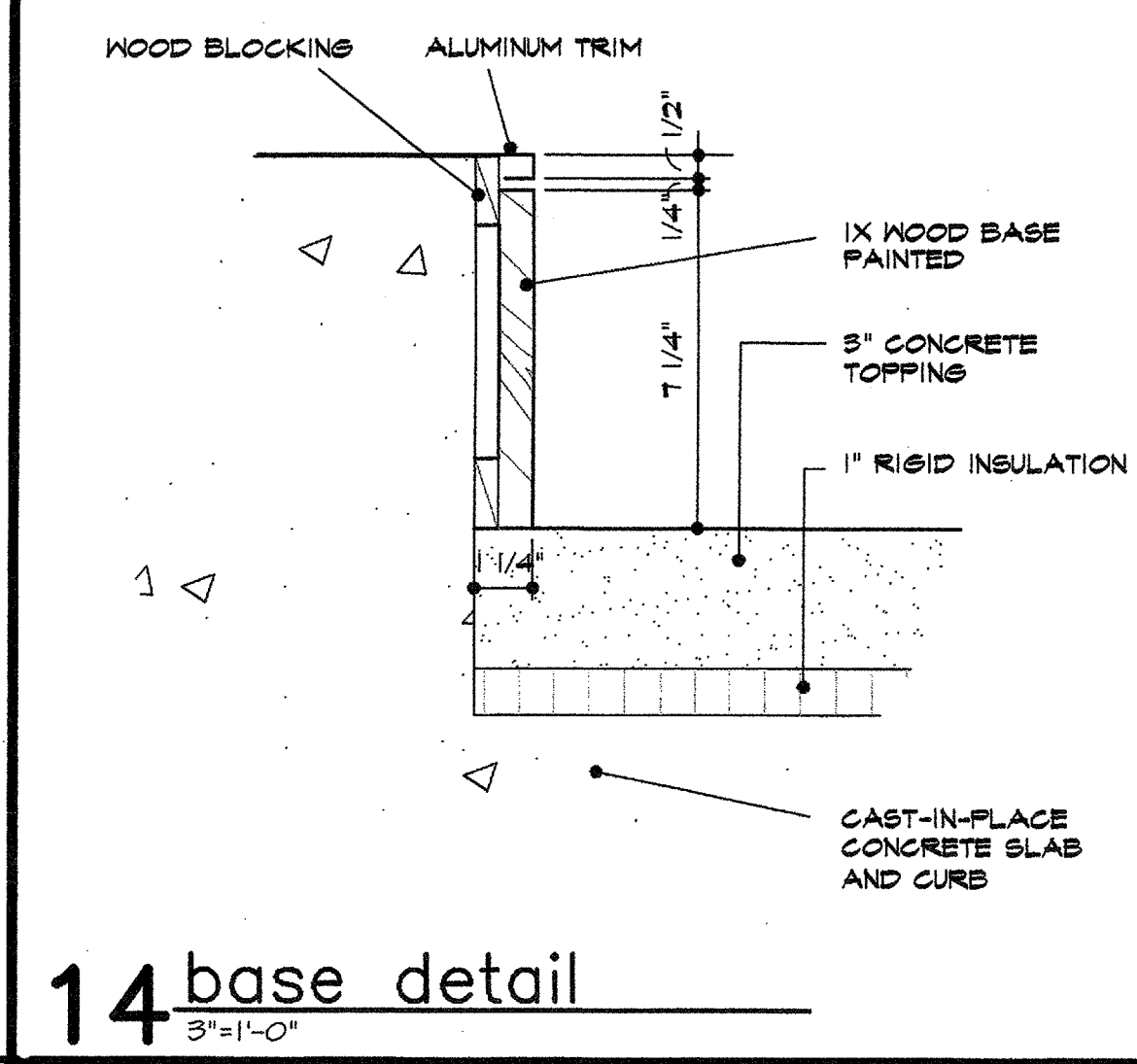
11 detail
 3\"/>



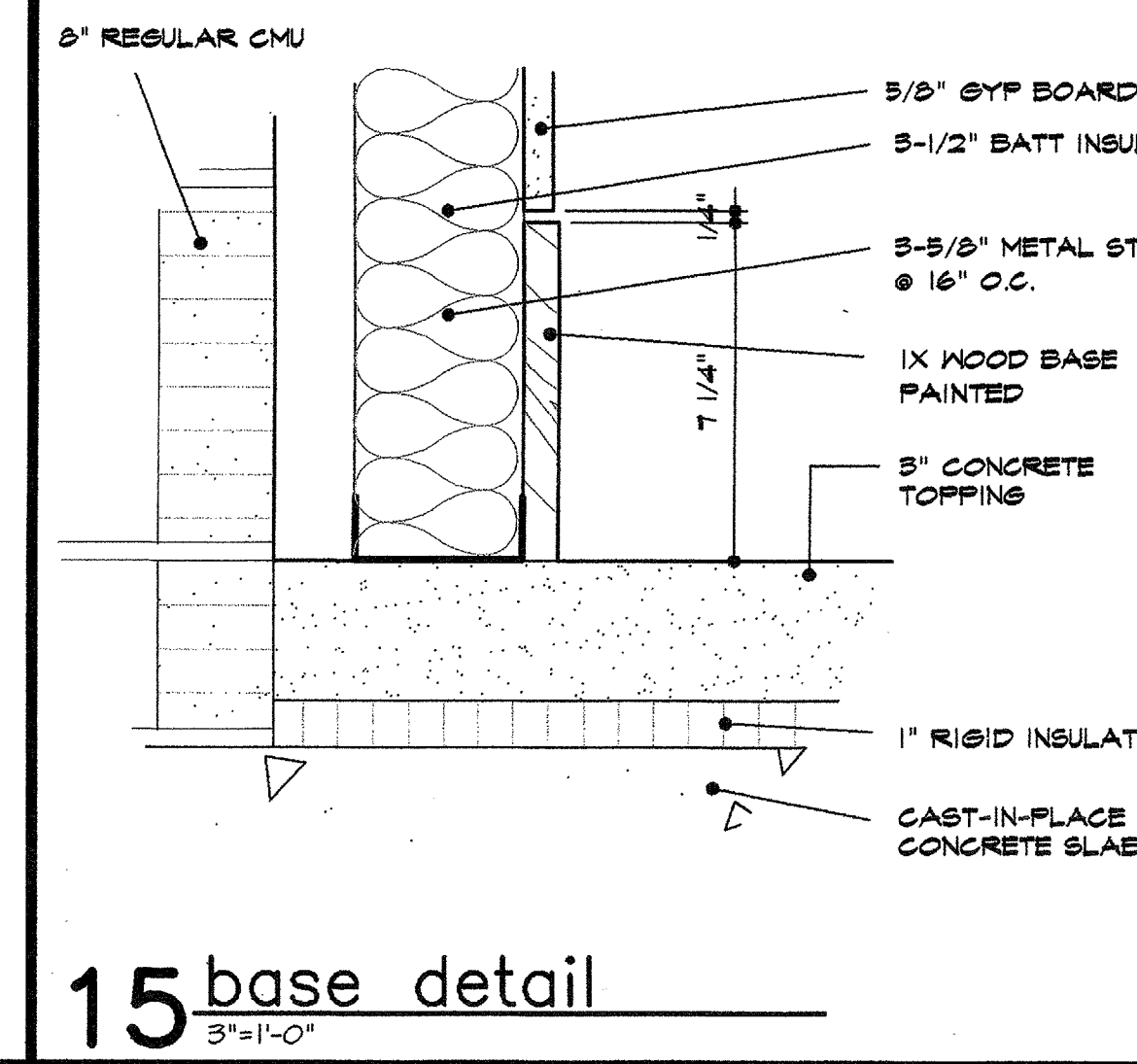
12 detail
 3\"/>



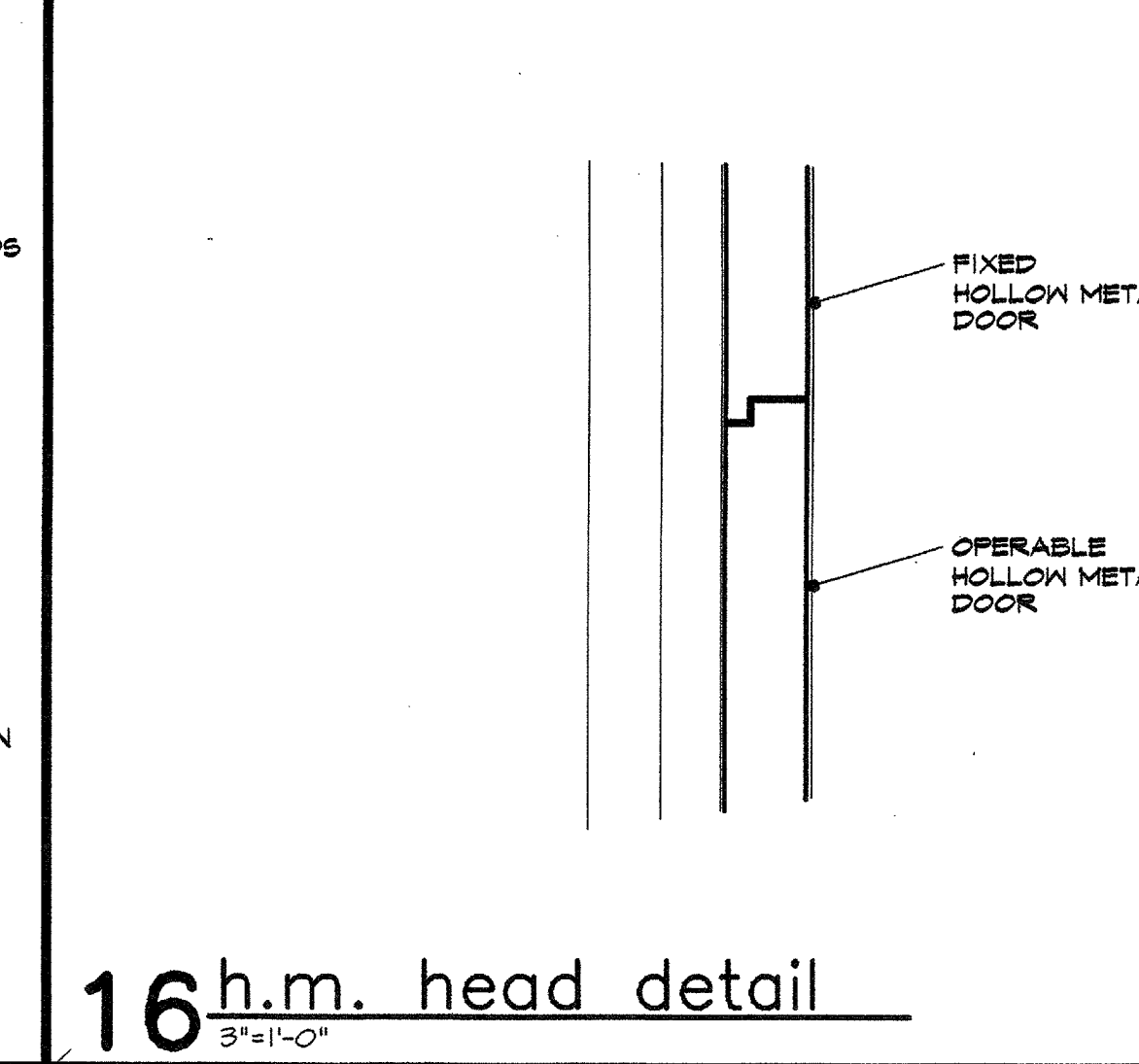
13 curtainwall sill detail
 3\"/>



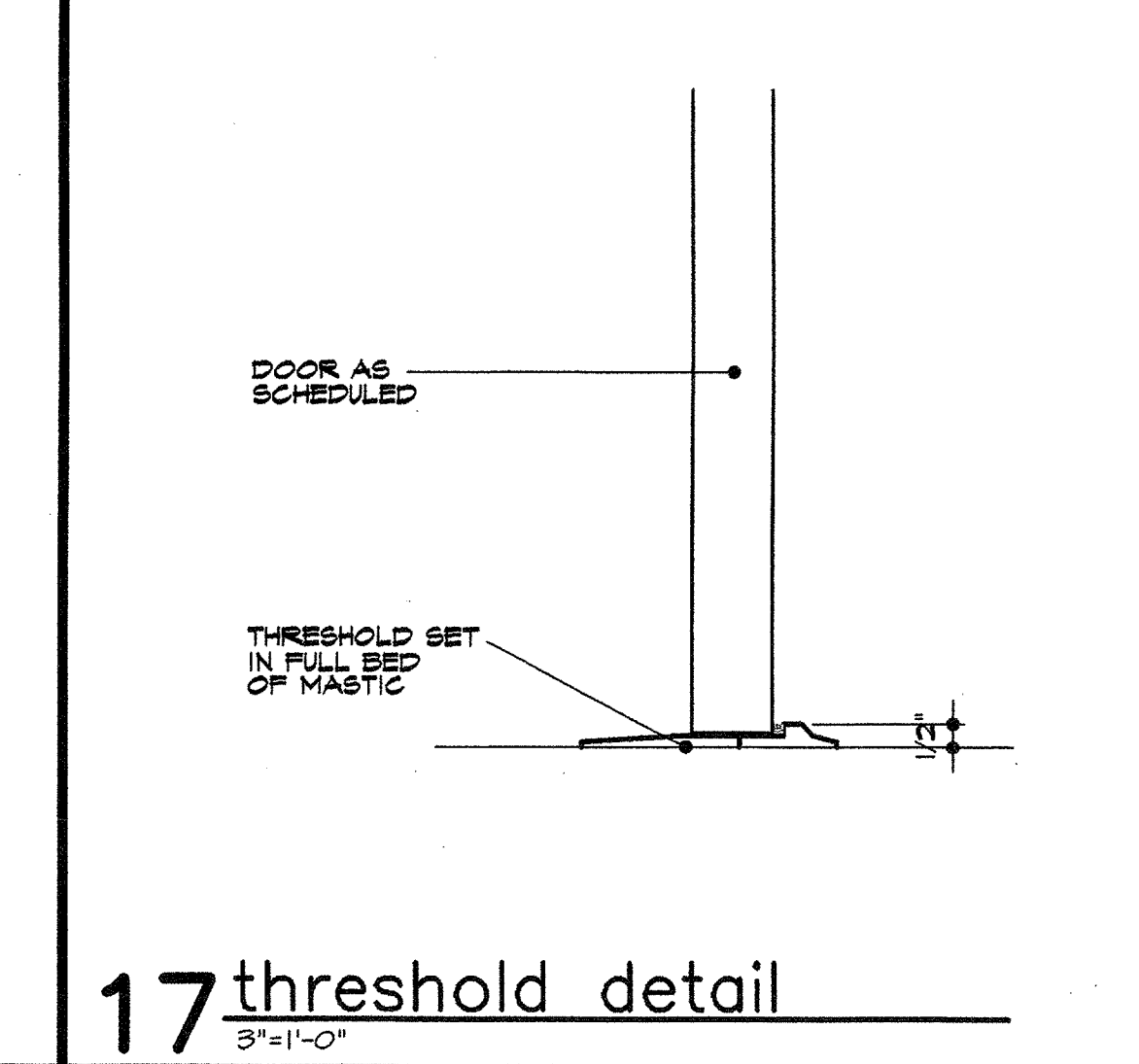
14 base detail
 3\"/>



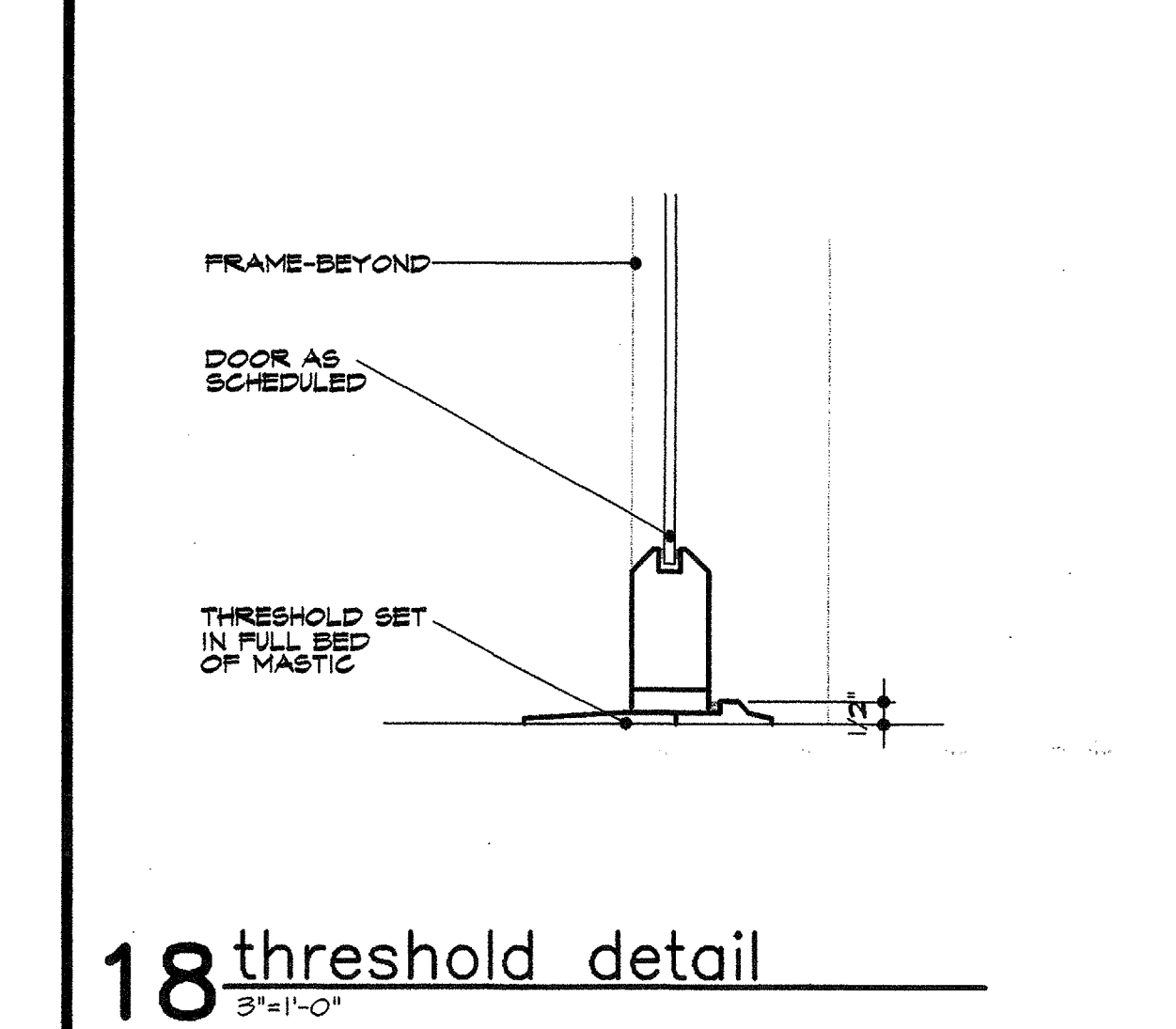
15 base detail
 3\"/>



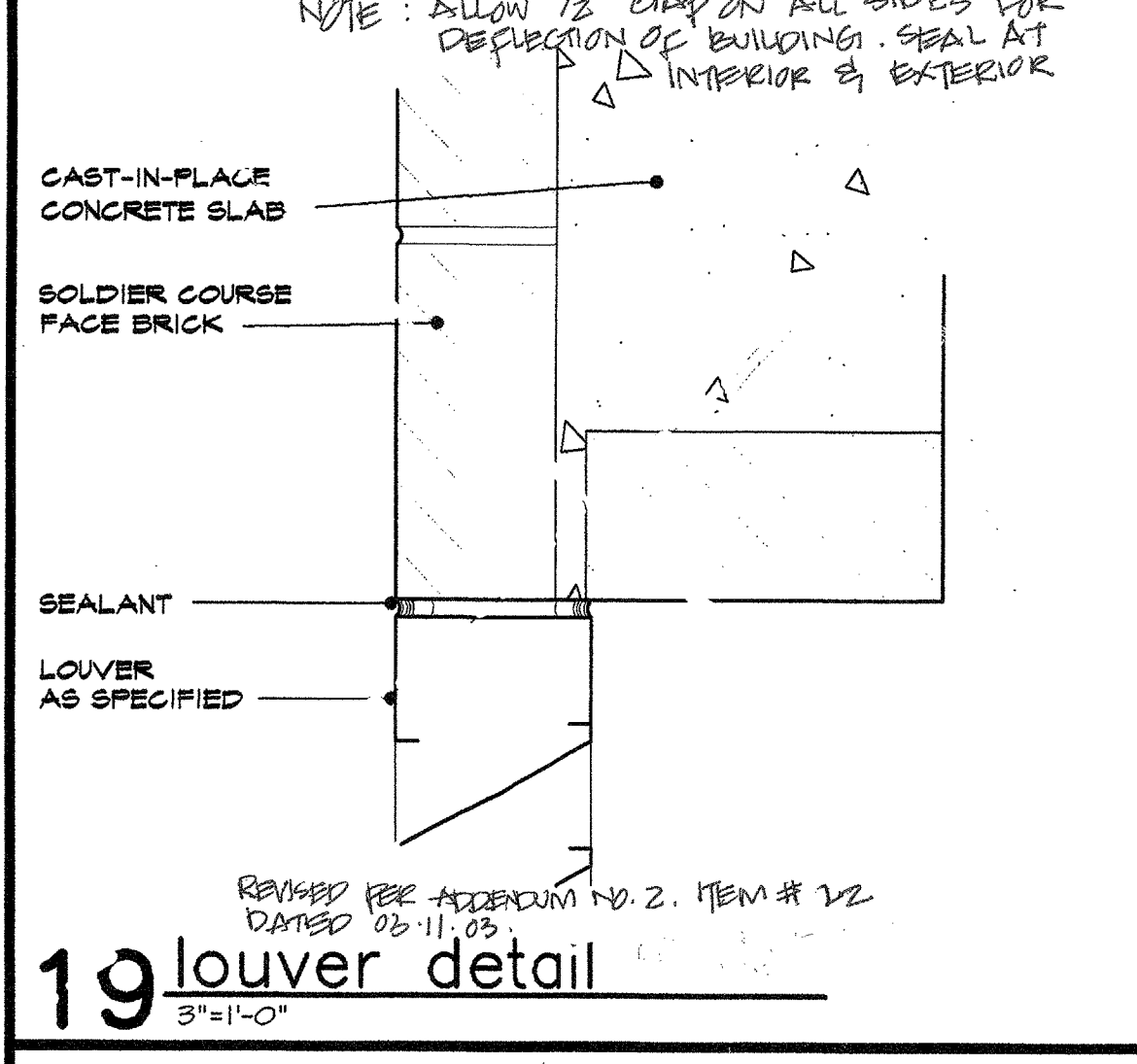
16 h.m. head detail
 3\"/>



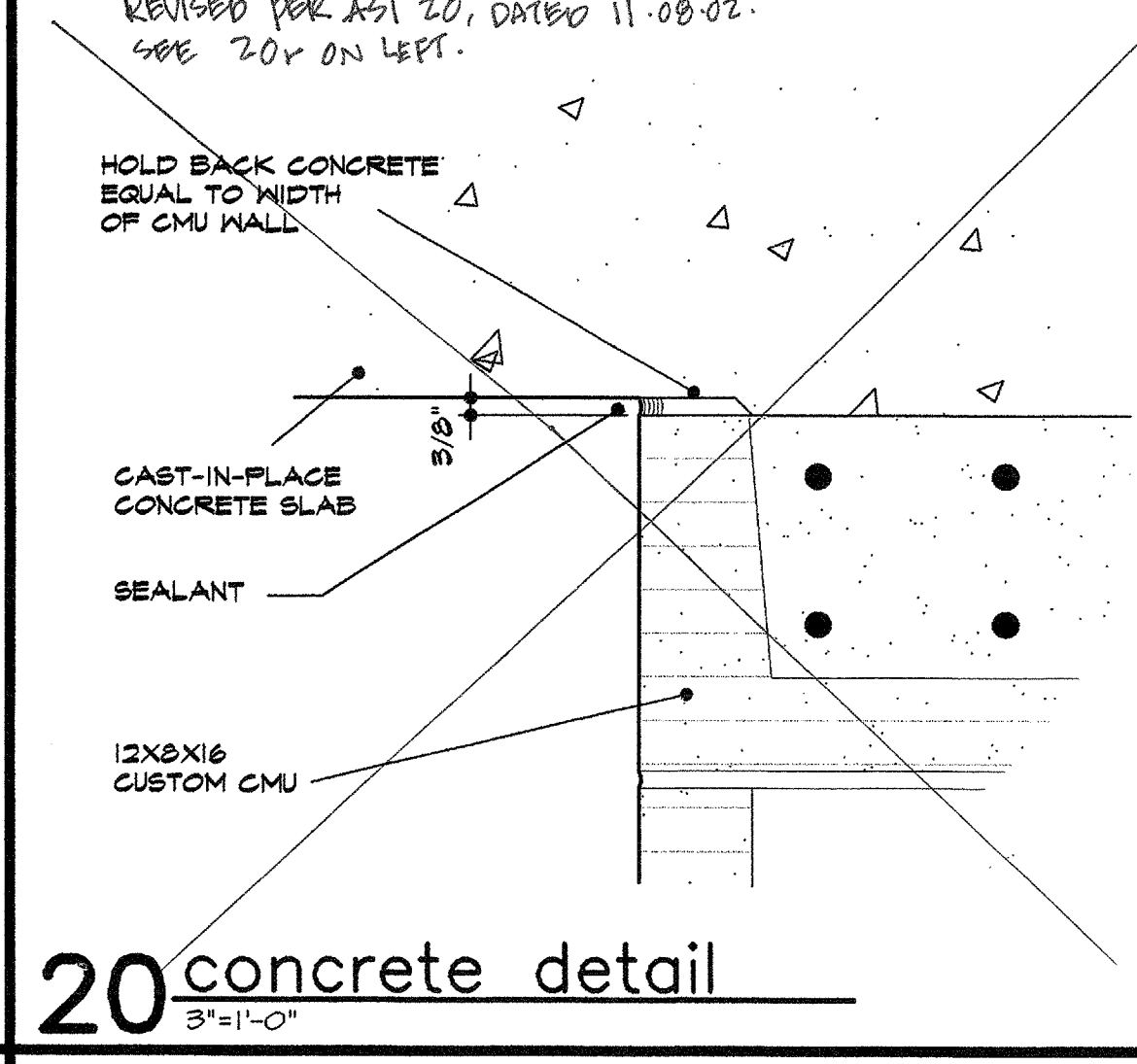
17 threshold detail
 3\"/>



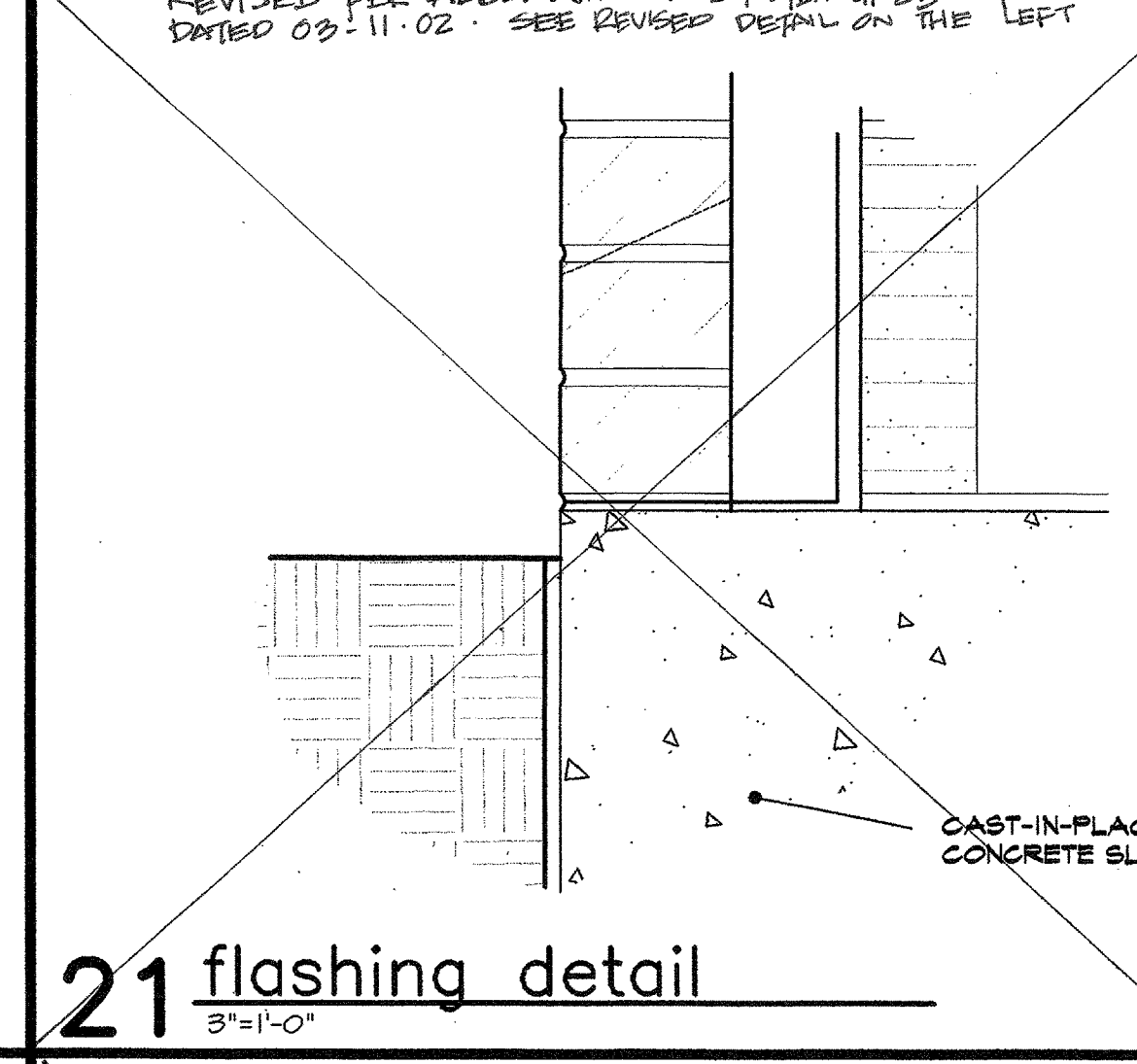
18 threshold detail
 3\"/>



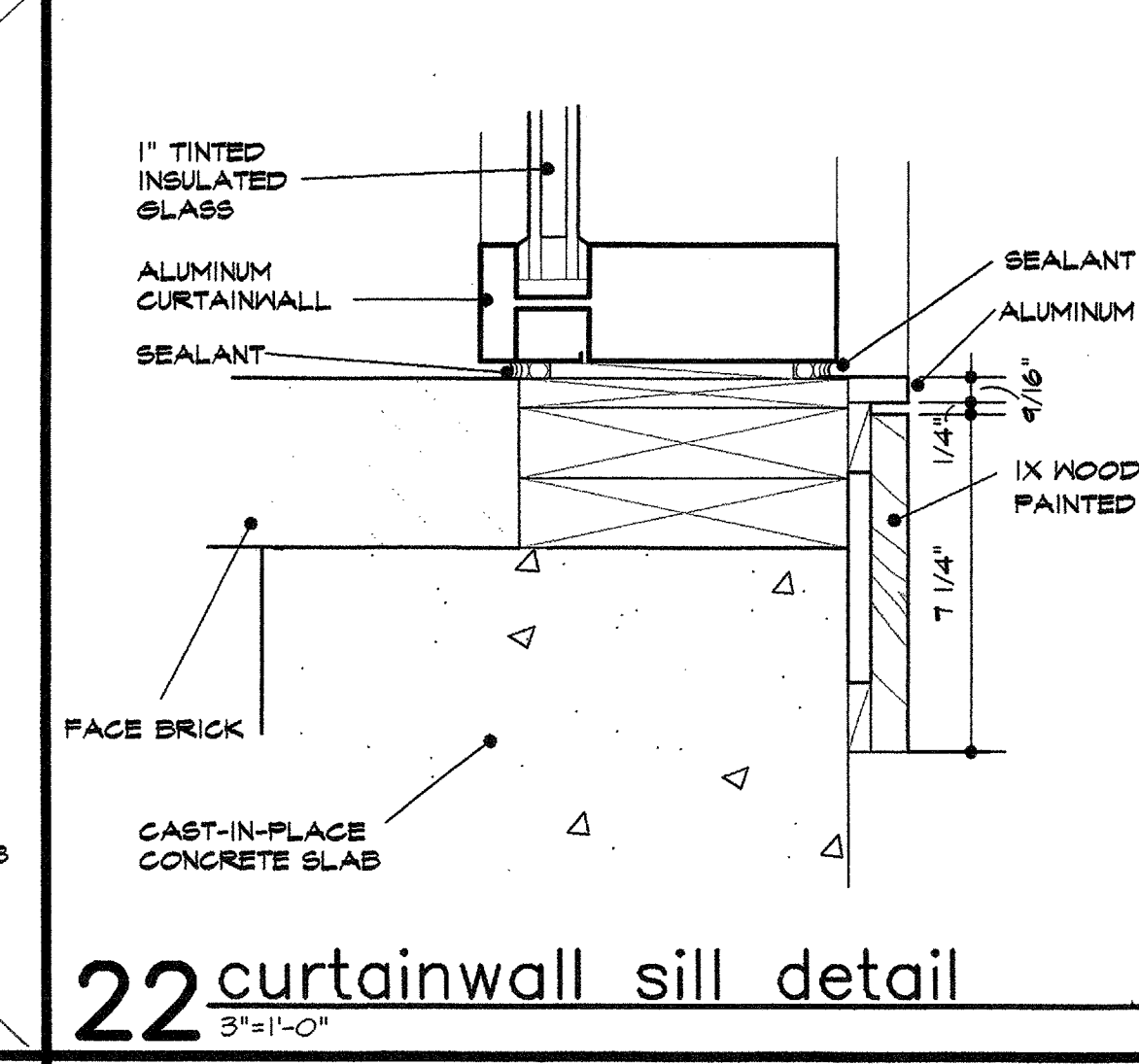
19 louver detail
 3\"/>



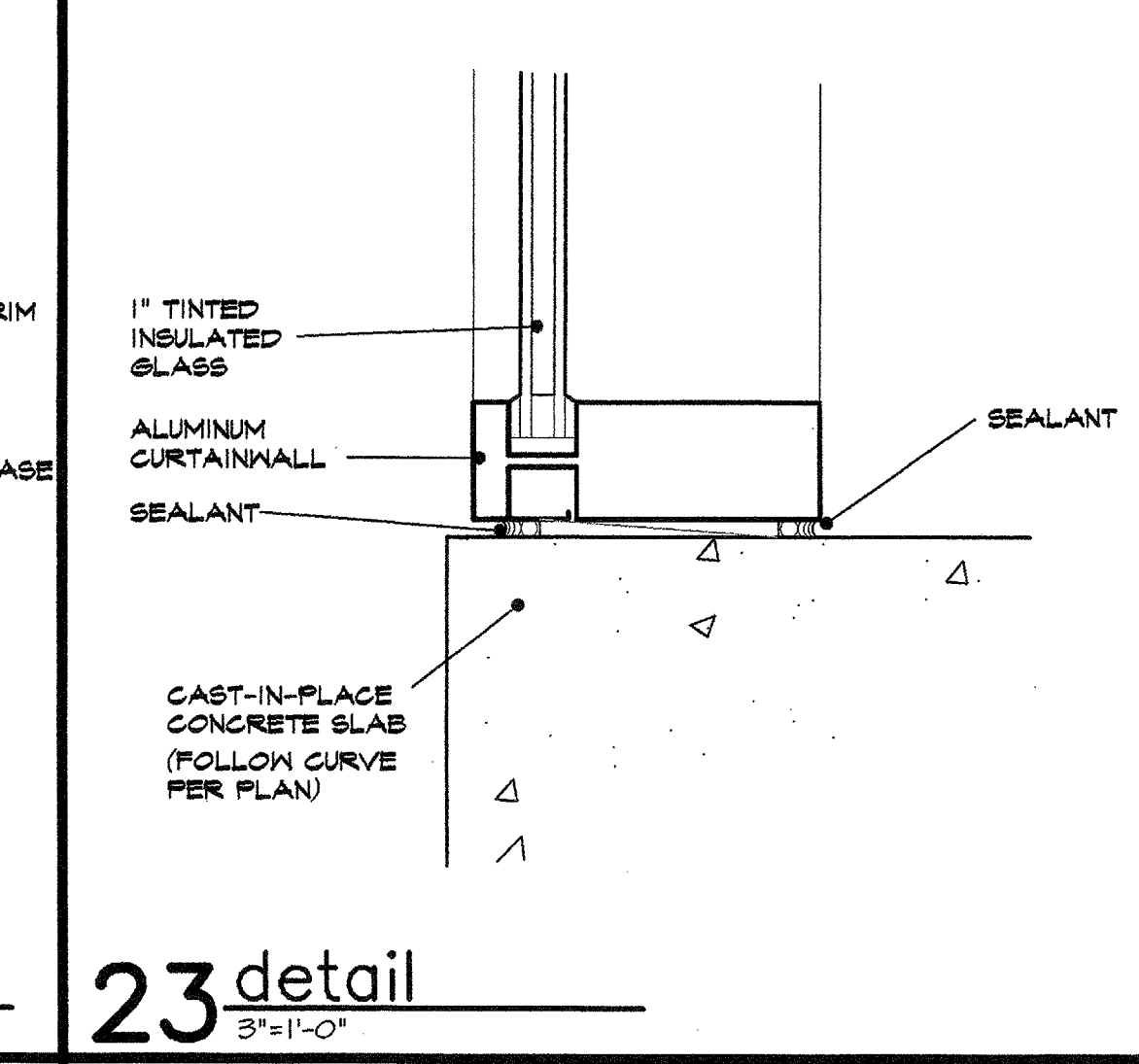
20 concrete detail
 3\"/>



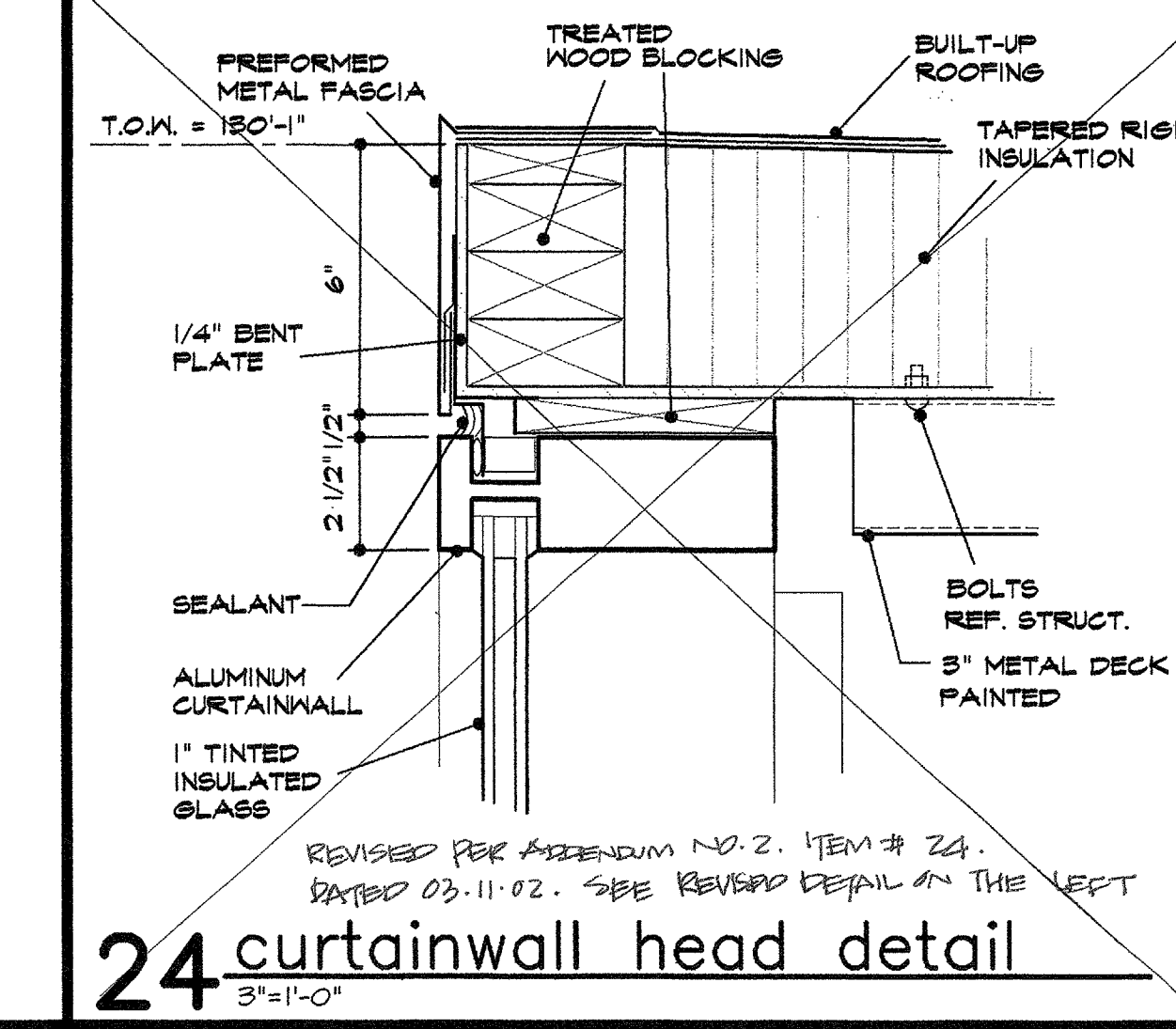
21 flashing detail
 3\"/>



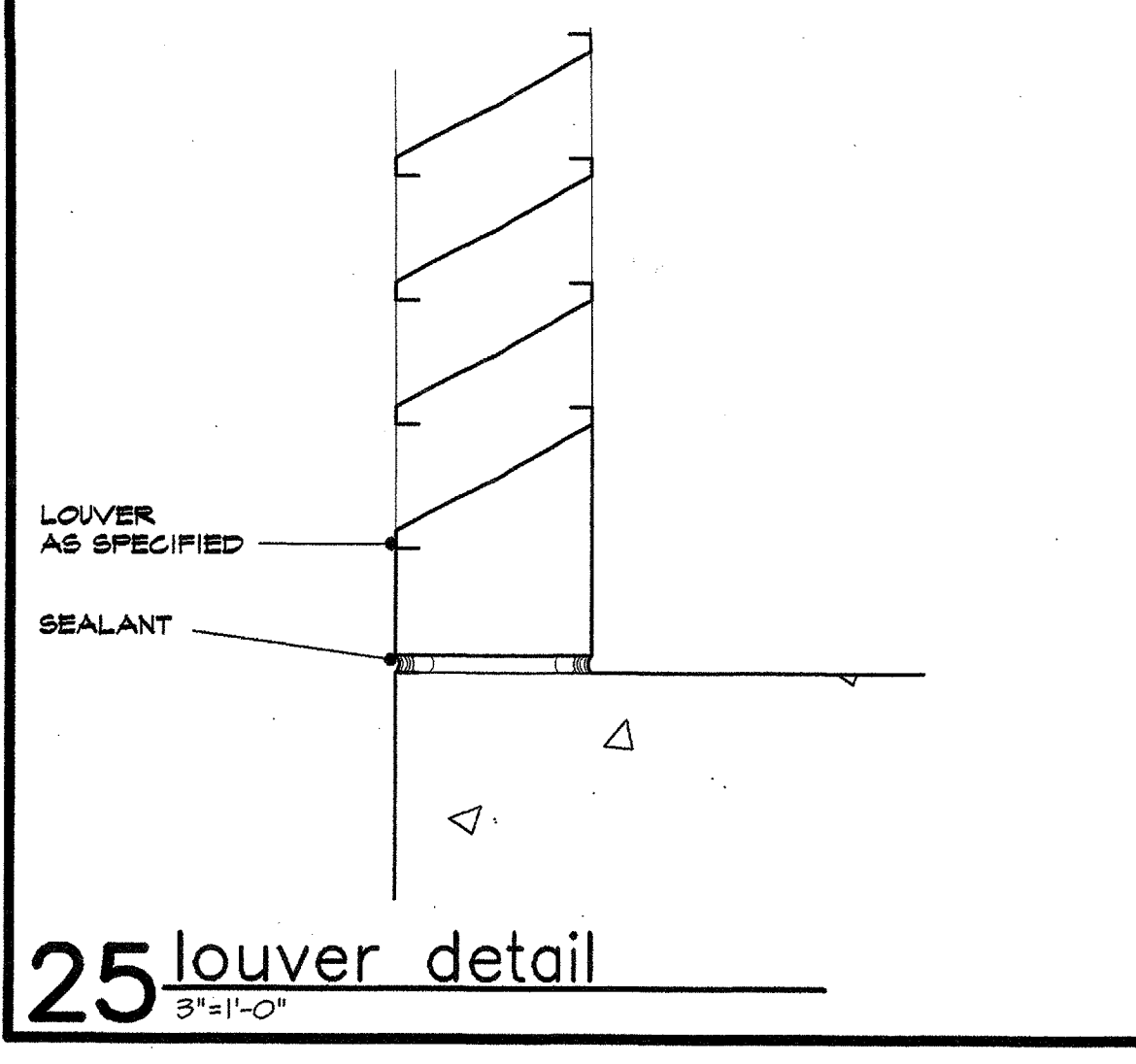
22 curtainwall sill detail
 3\"/>



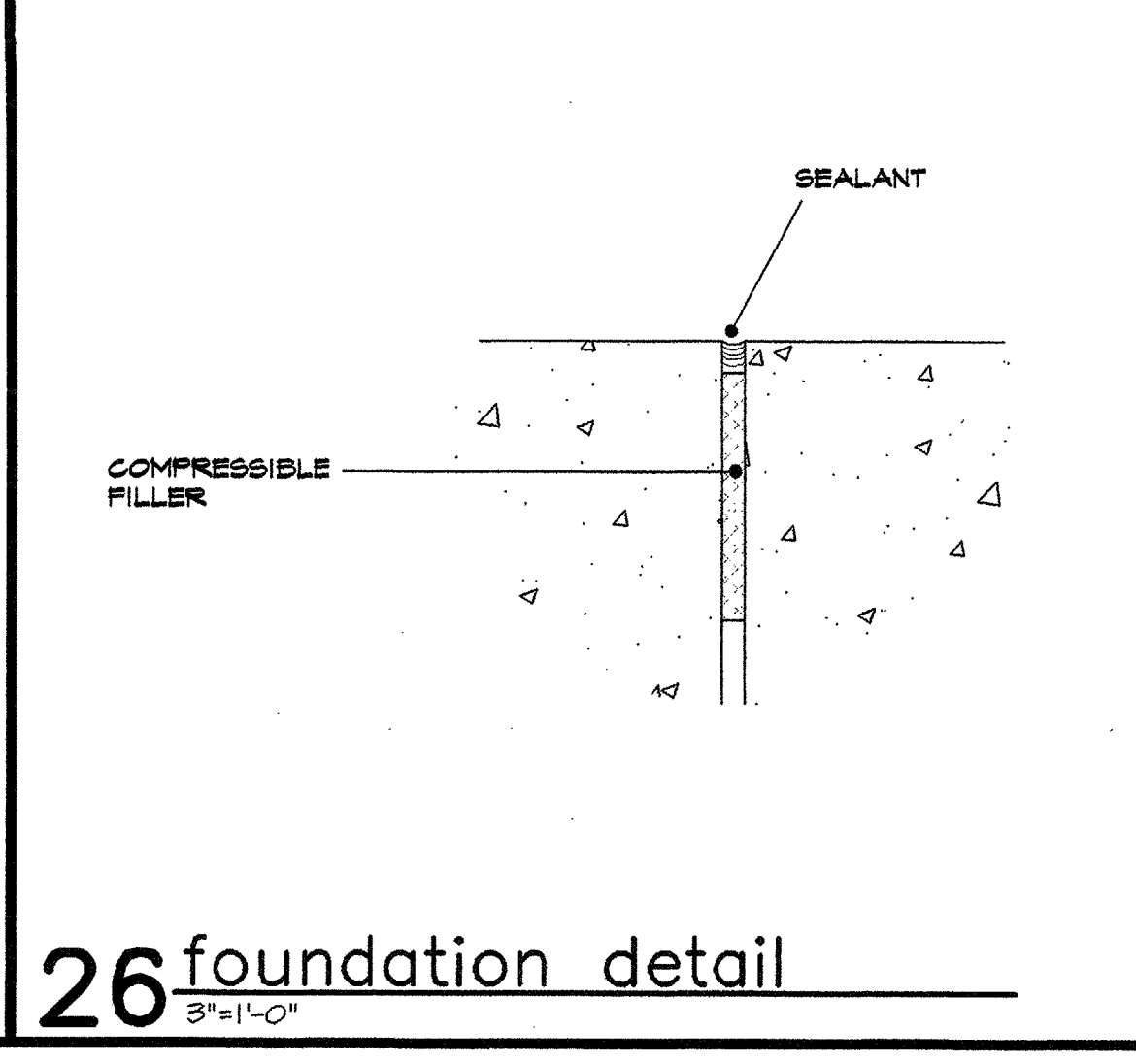
23 detail
 3\"/>



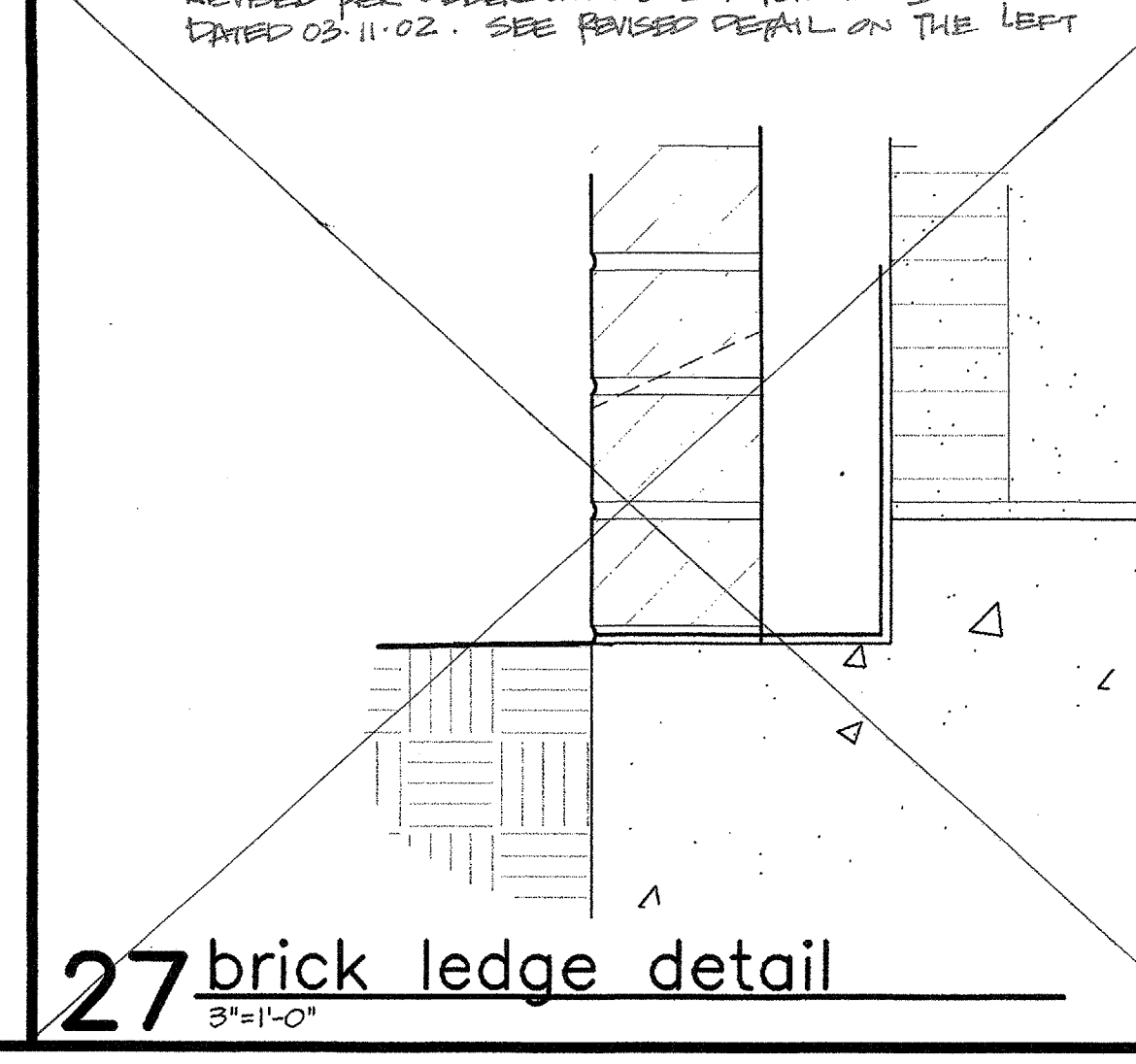
24 curtainwall head detail
 3\"/>



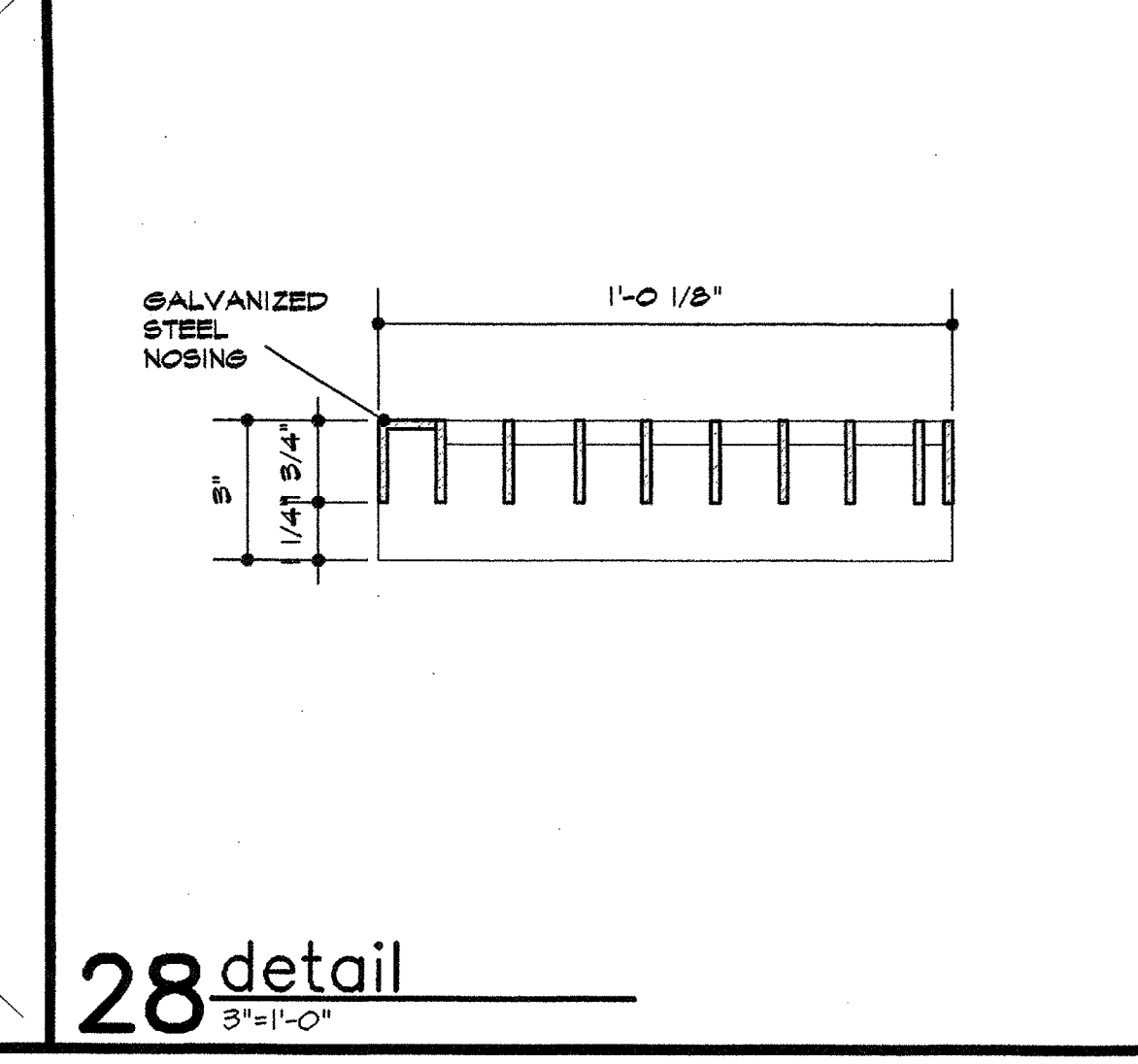
25 louver detail
 3\"/>



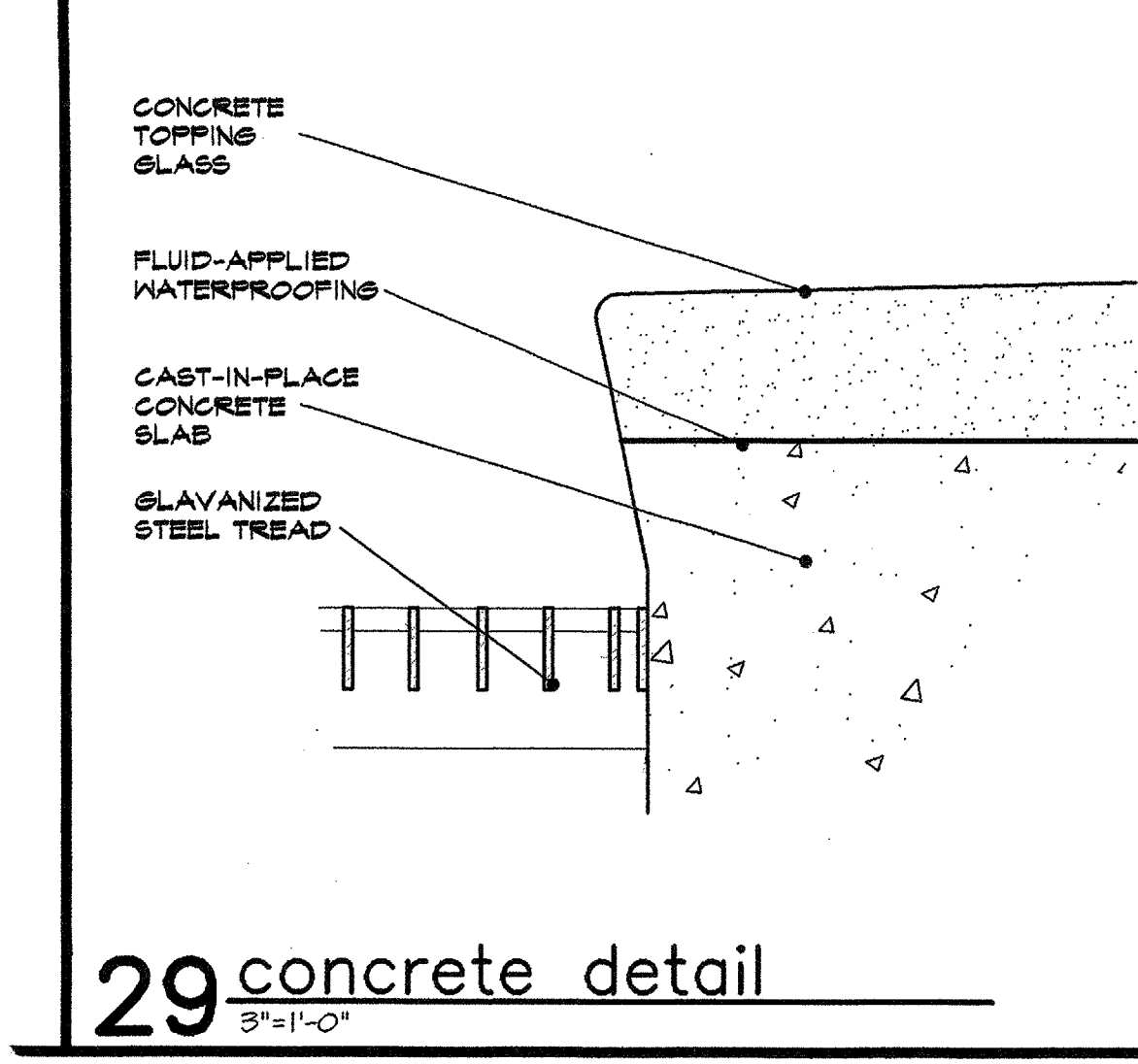
26 foundation detail
 3\"/>



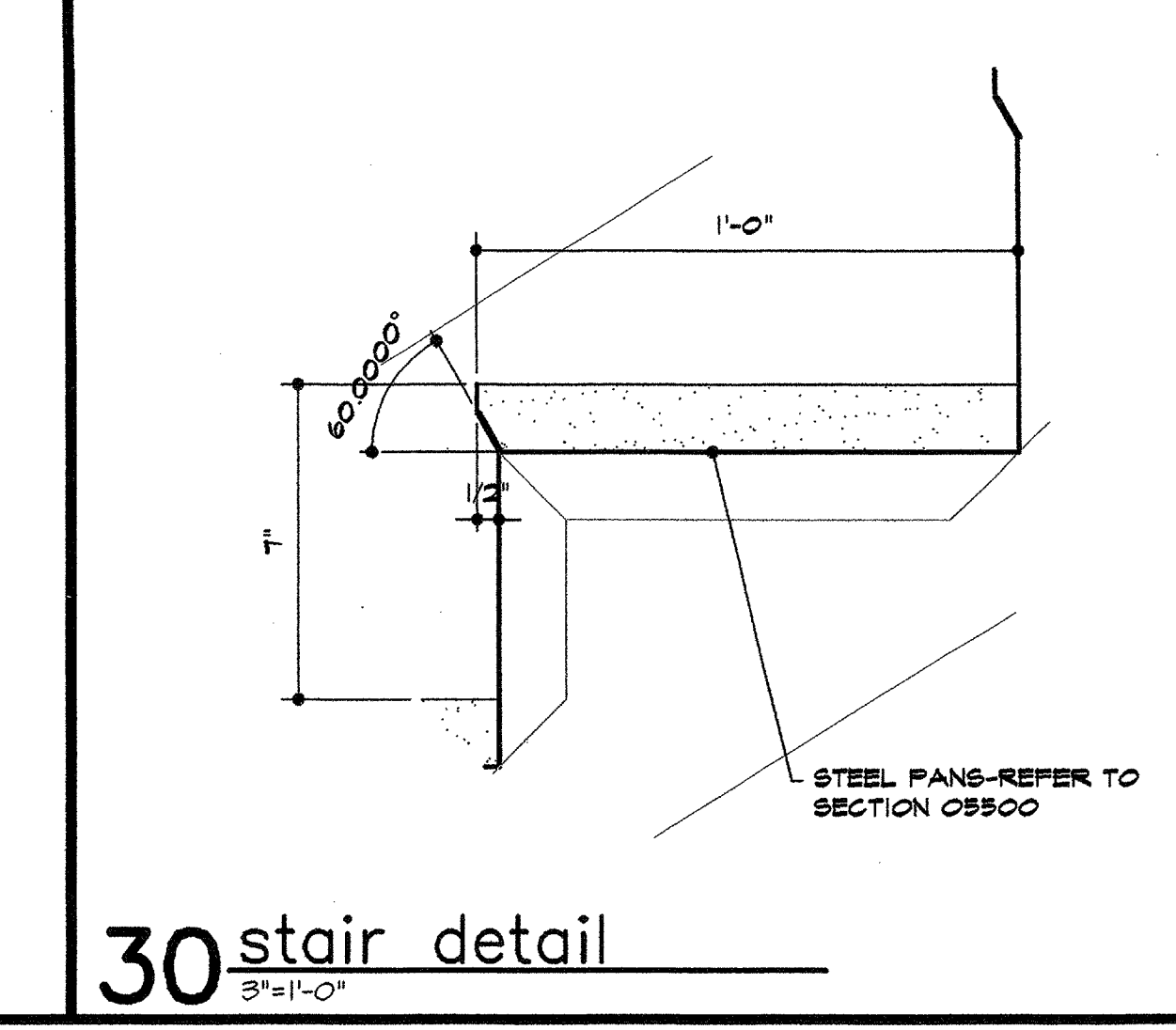
27 brick ledge detail
 3\"/>



28 detail
 3\"/>



29 concrete detail
 3\"/>



30 stair detail
 3\"/>