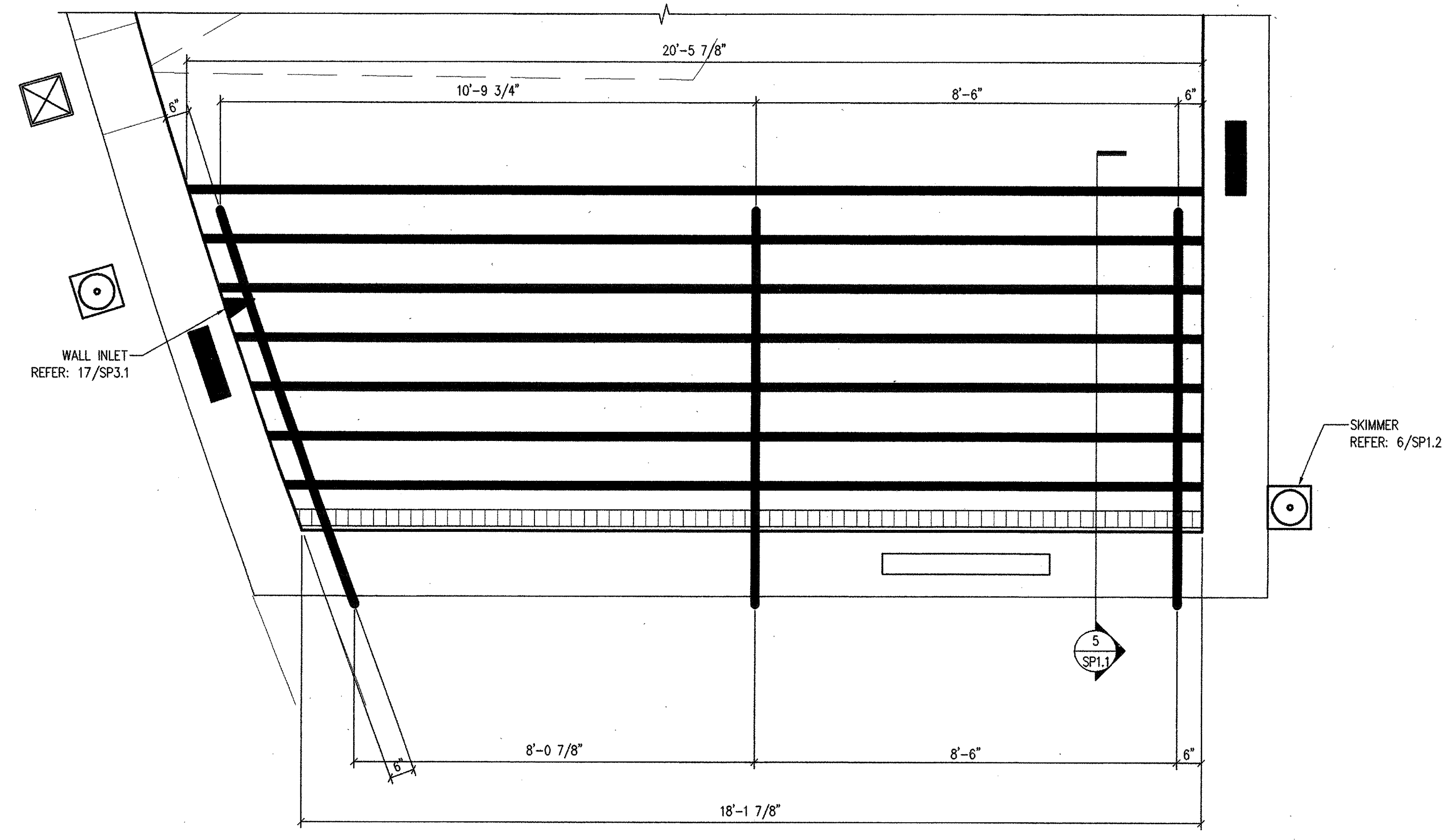
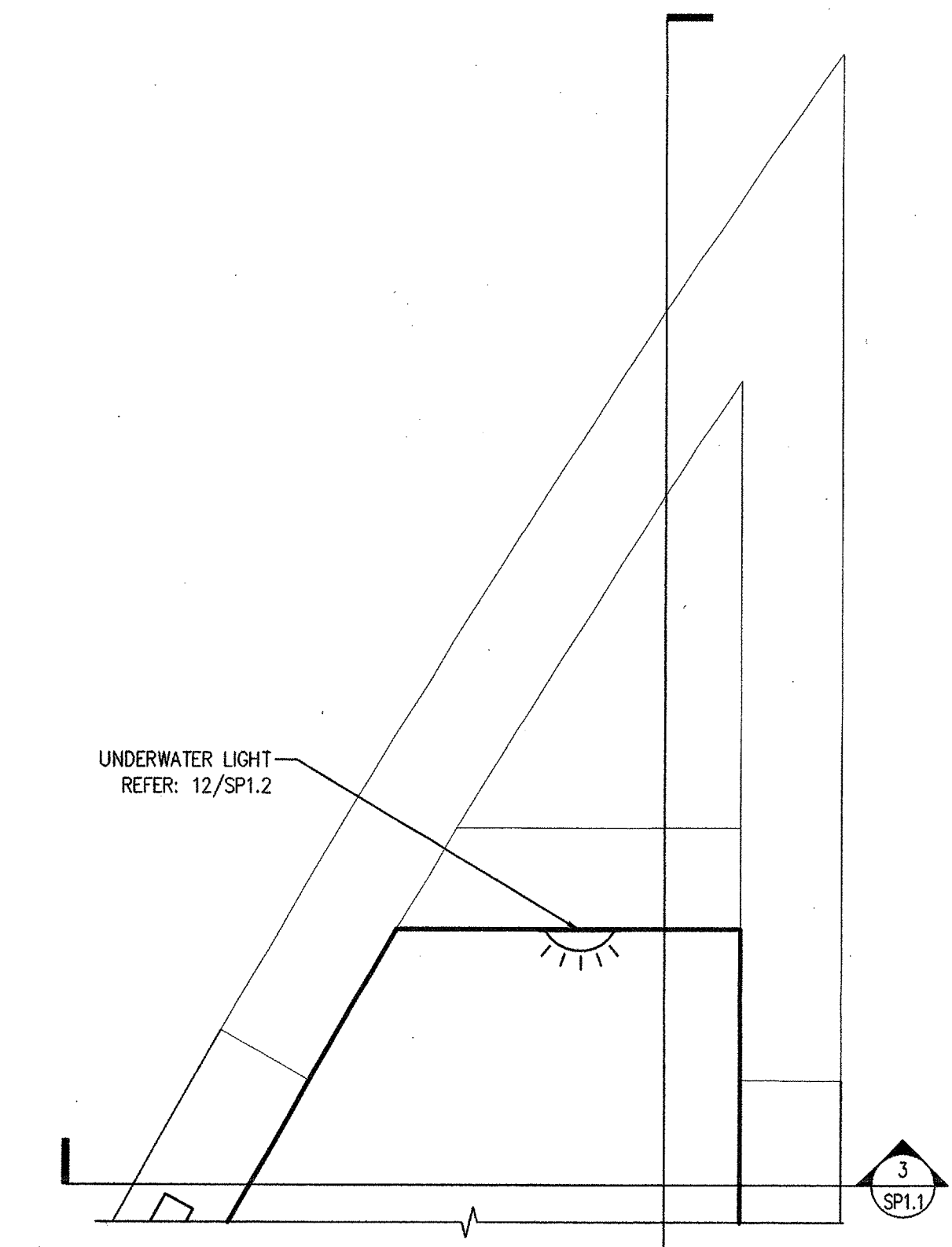


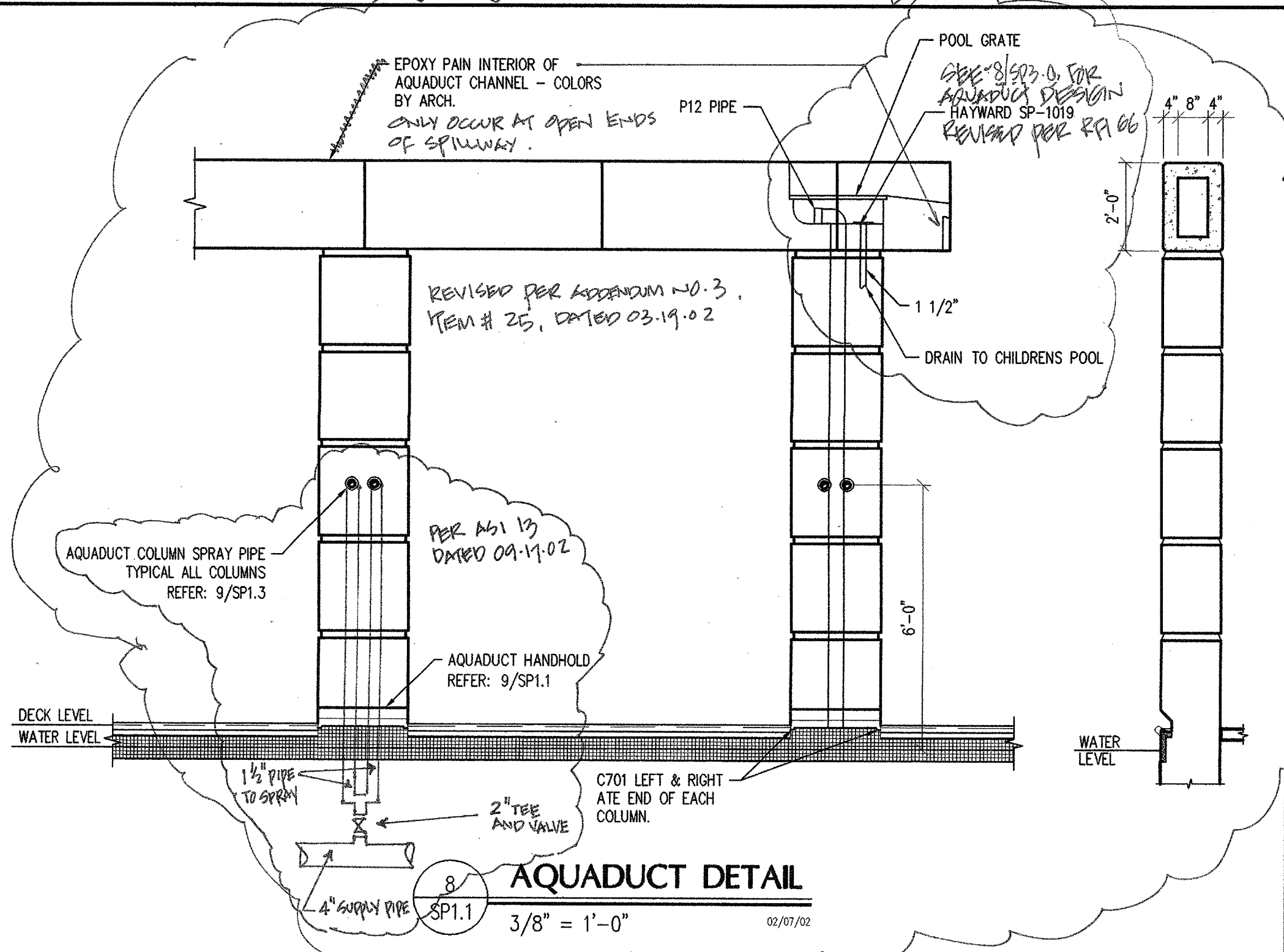
**7 UPPER POOL STAIR SECTION**  
 1/2" = 1'-0"  
 12/11/01



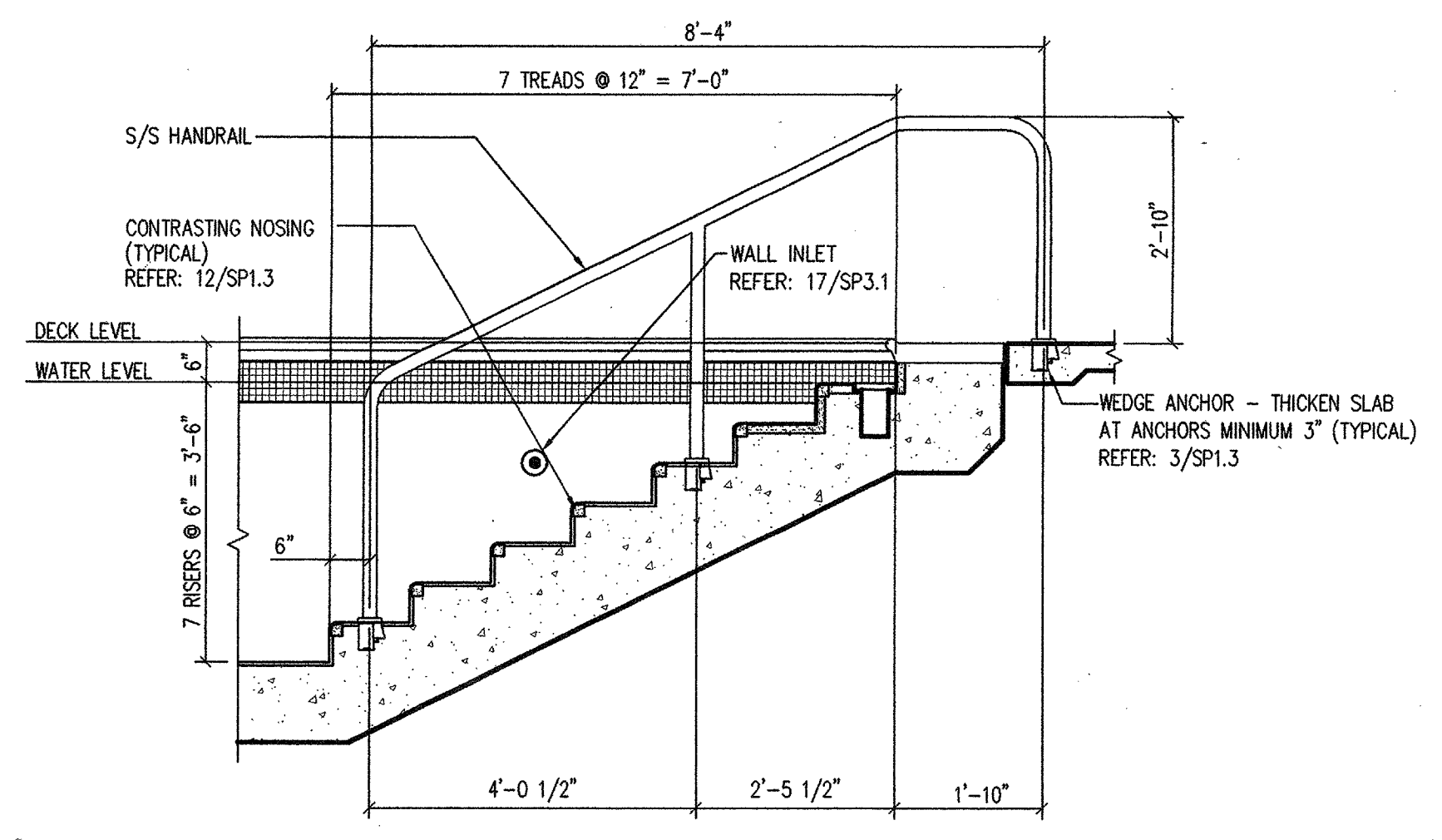
**4 ENLARGED STAIR PLAN**  
 1/2" = 1'-0"  
 11/12/01



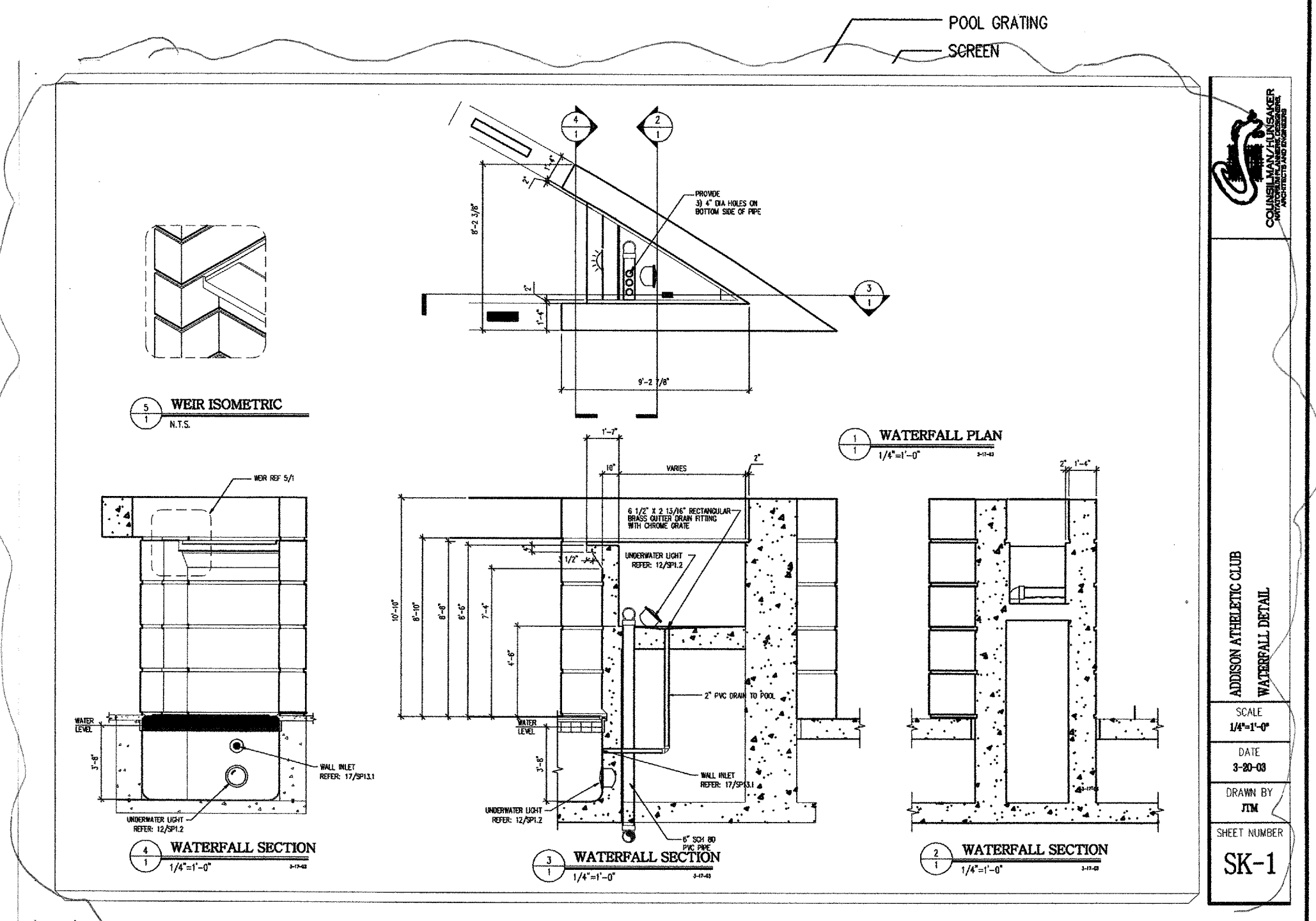
**1 WATERFALL PLAN**  
 1/2" = 1'-0"  
 11/12/01



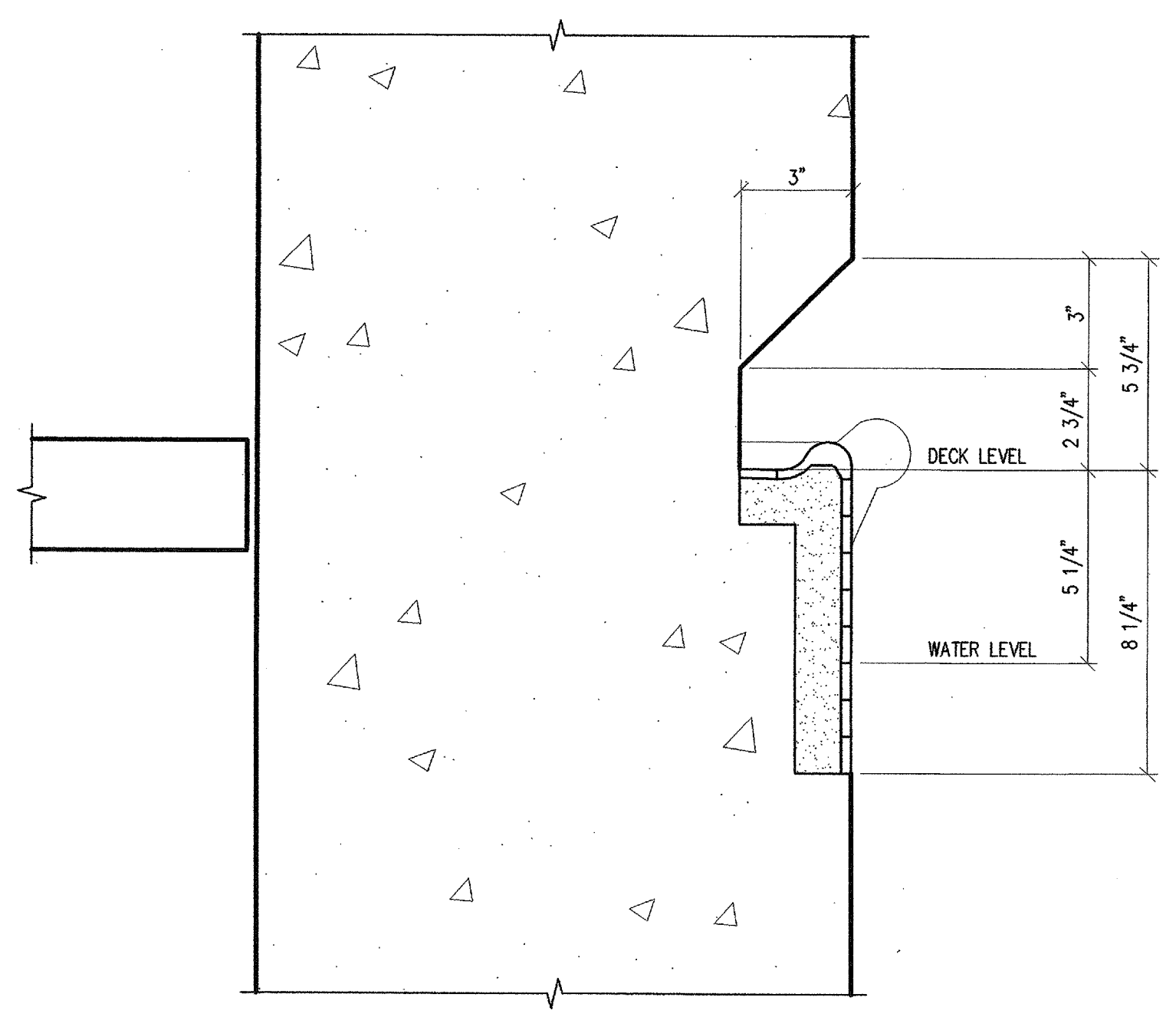
**8 AQUADUCT DETAIL**  
 3/8" = 1'-0"  
 10/17/01



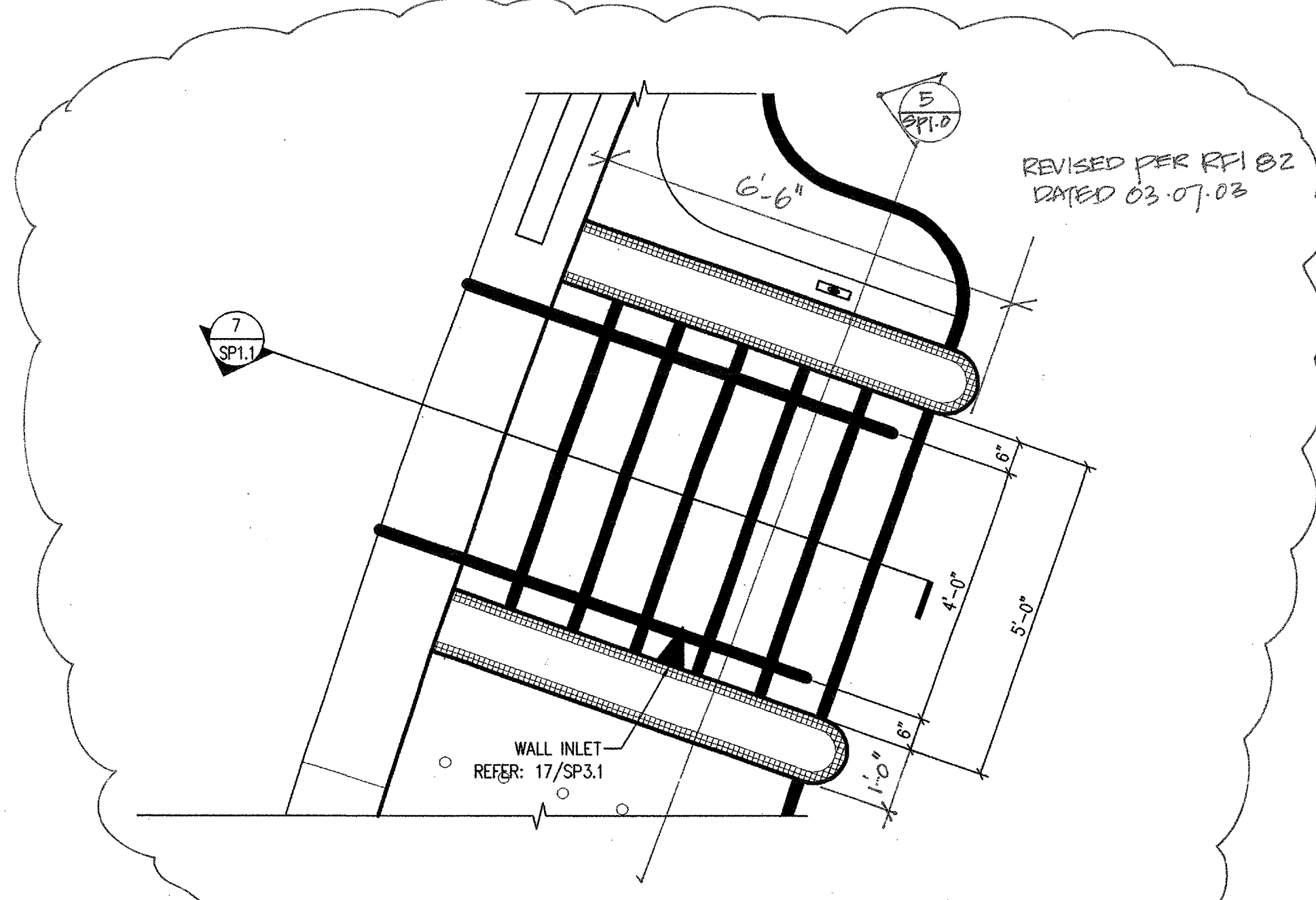
**5 STAIR SECTION**  
 1/2" = 1'-0"  
 11/12/01



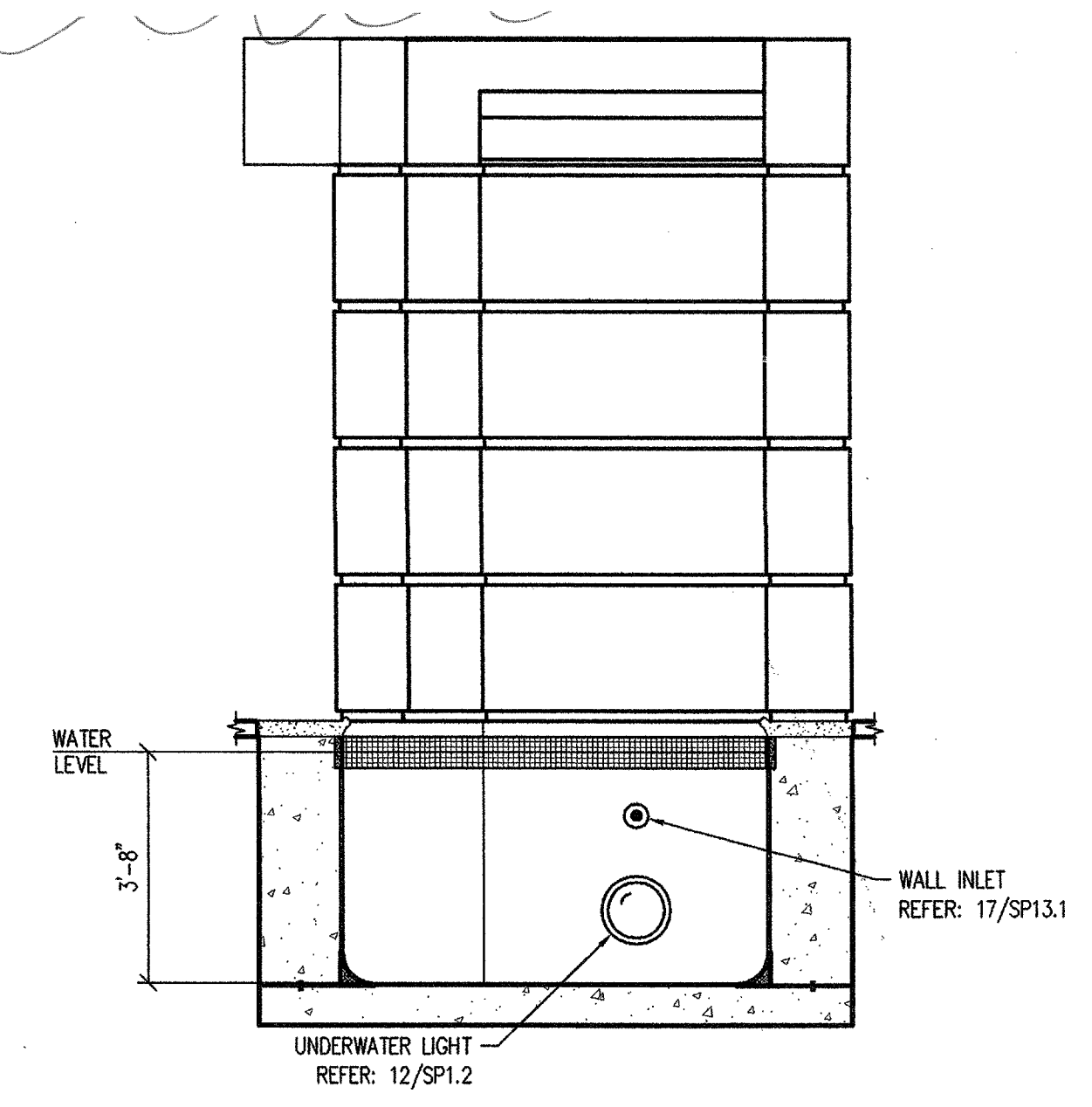
**2 WATERFALL SECTION**  
 3/8" = 1'-0"  
 10/17/01



**8 AQUADUCT HANDHOLD DETAIL**  
 3" = 1'-0"  
 10/20/01



**6 ENLARGED STAIR PLAN**  
 1/2" = 1'-0"  
 11/12/01



**3 WATERFALL ELEVATION**  
 1/2" = 1'-0"  
 02/10/01