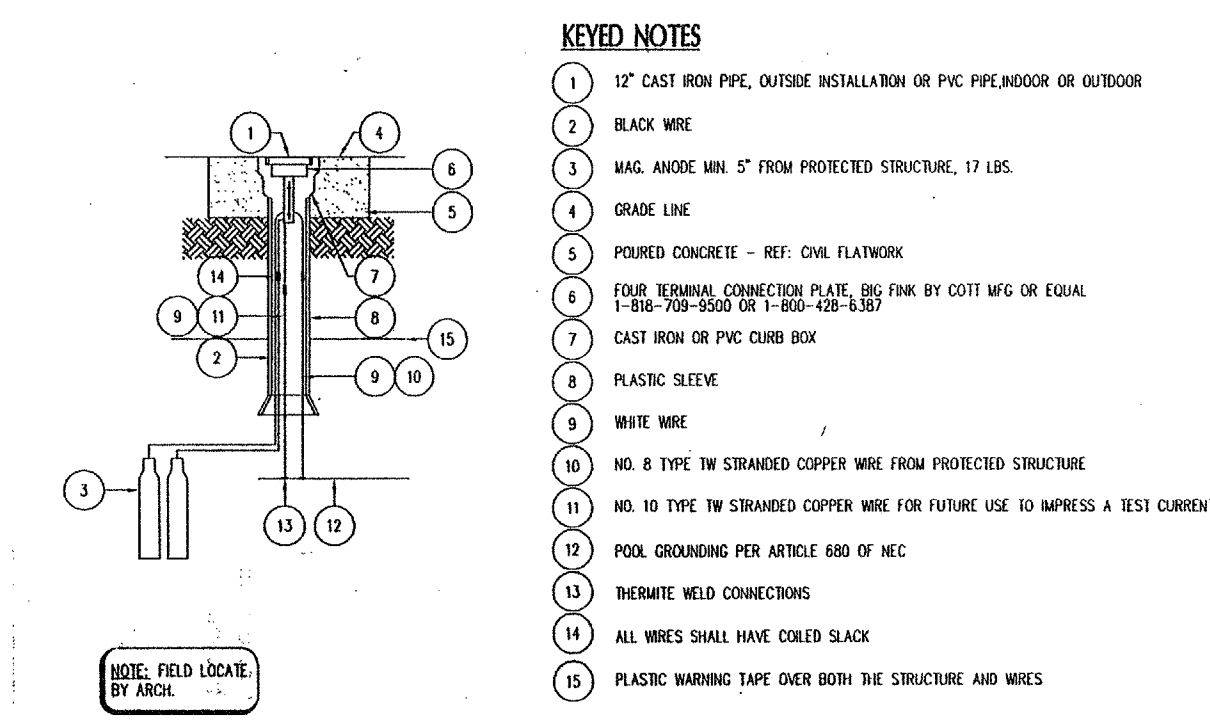


7 TYP. POOL GROUNDING & SACRIFICIAL-ANODE PROTECTION SCHEMATIC
SP3.2 NTS



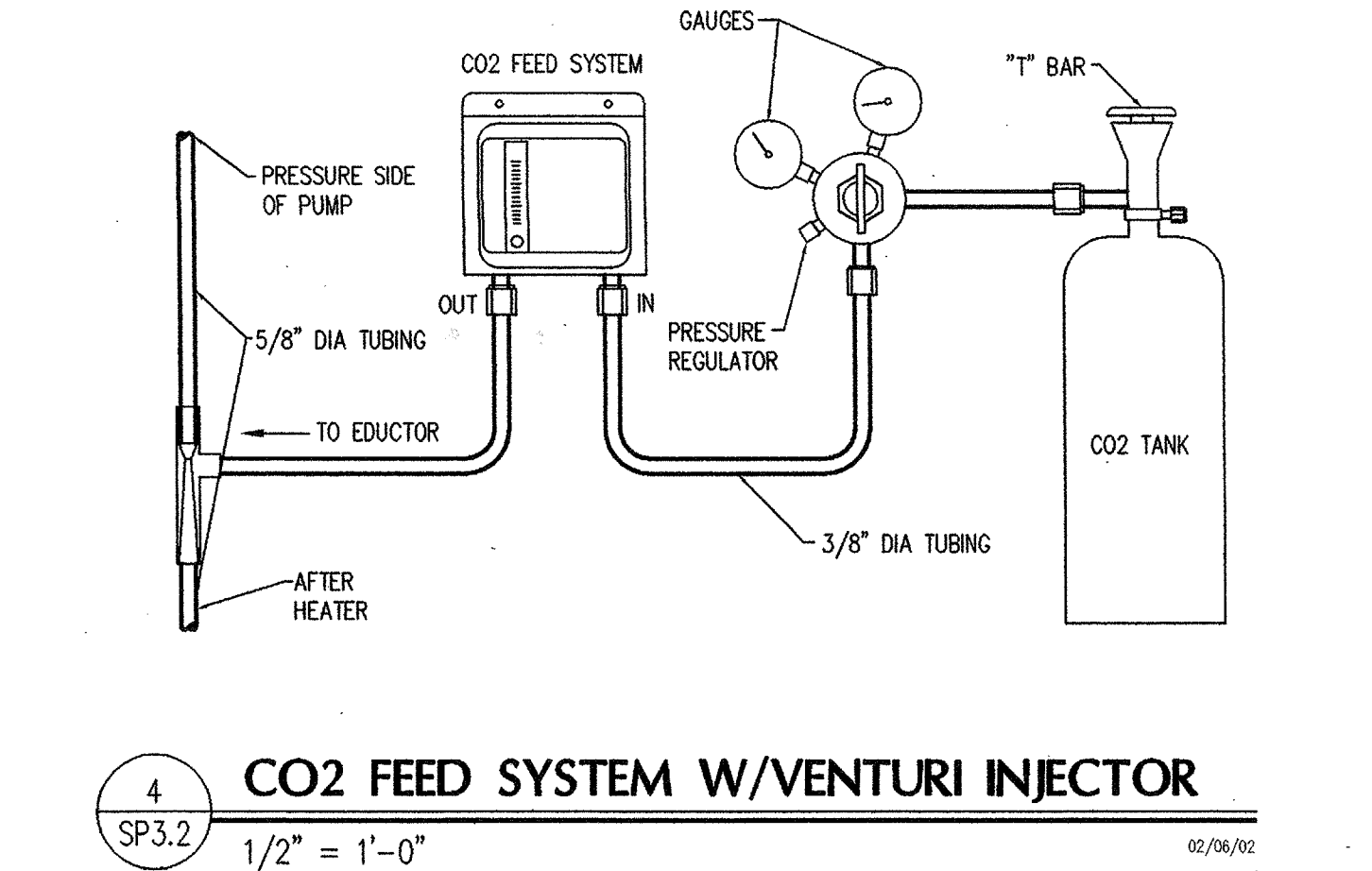
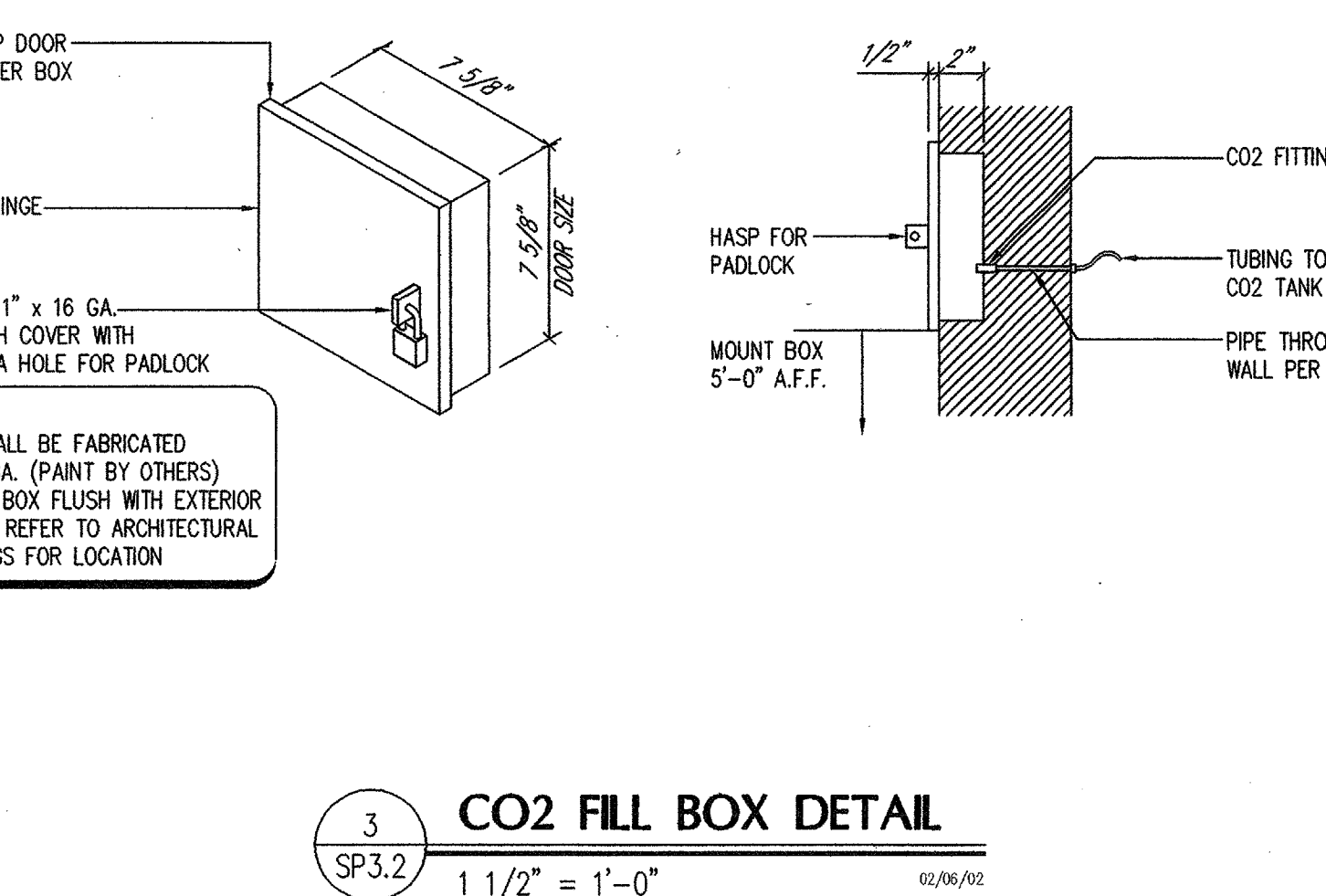
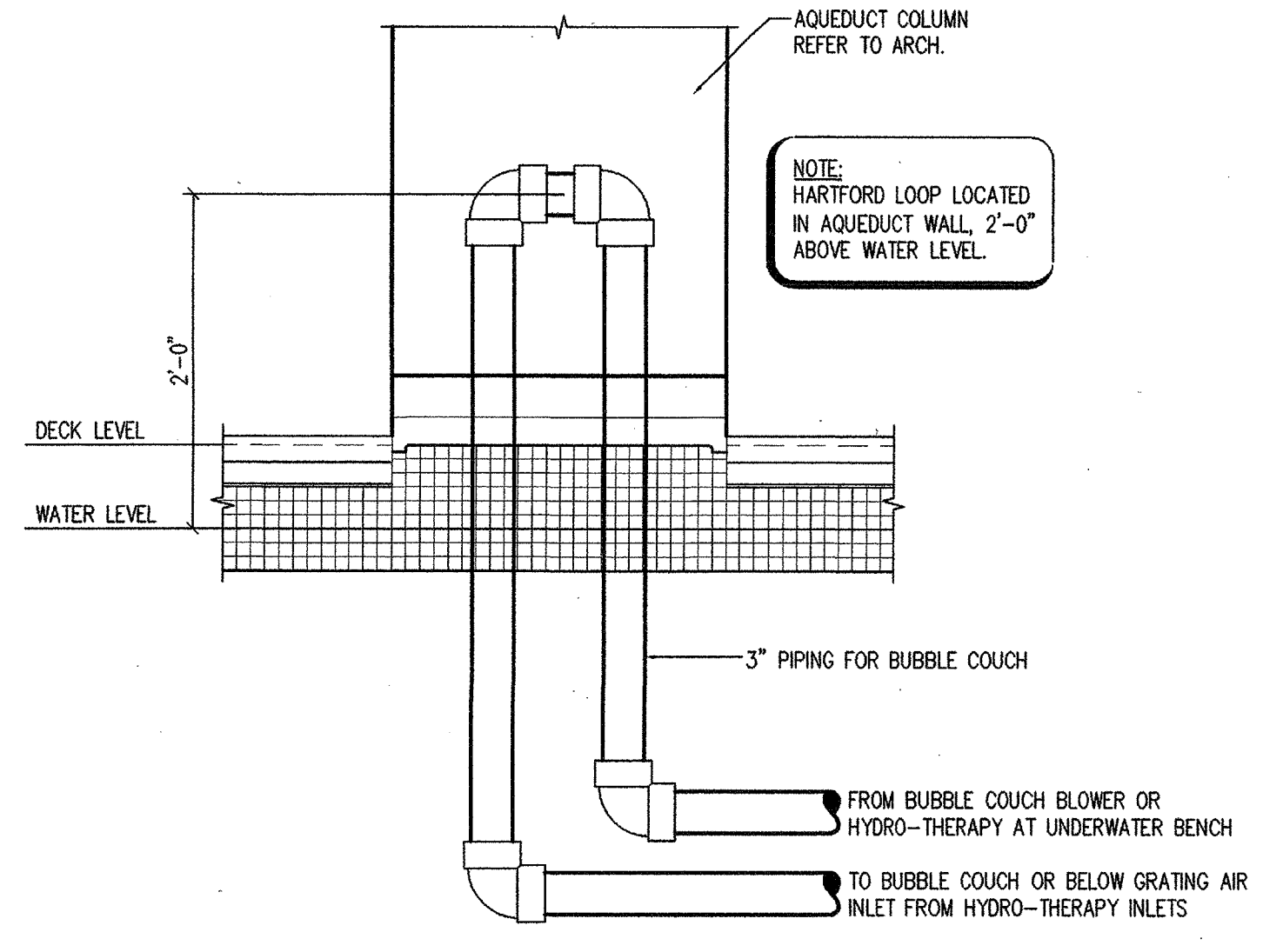
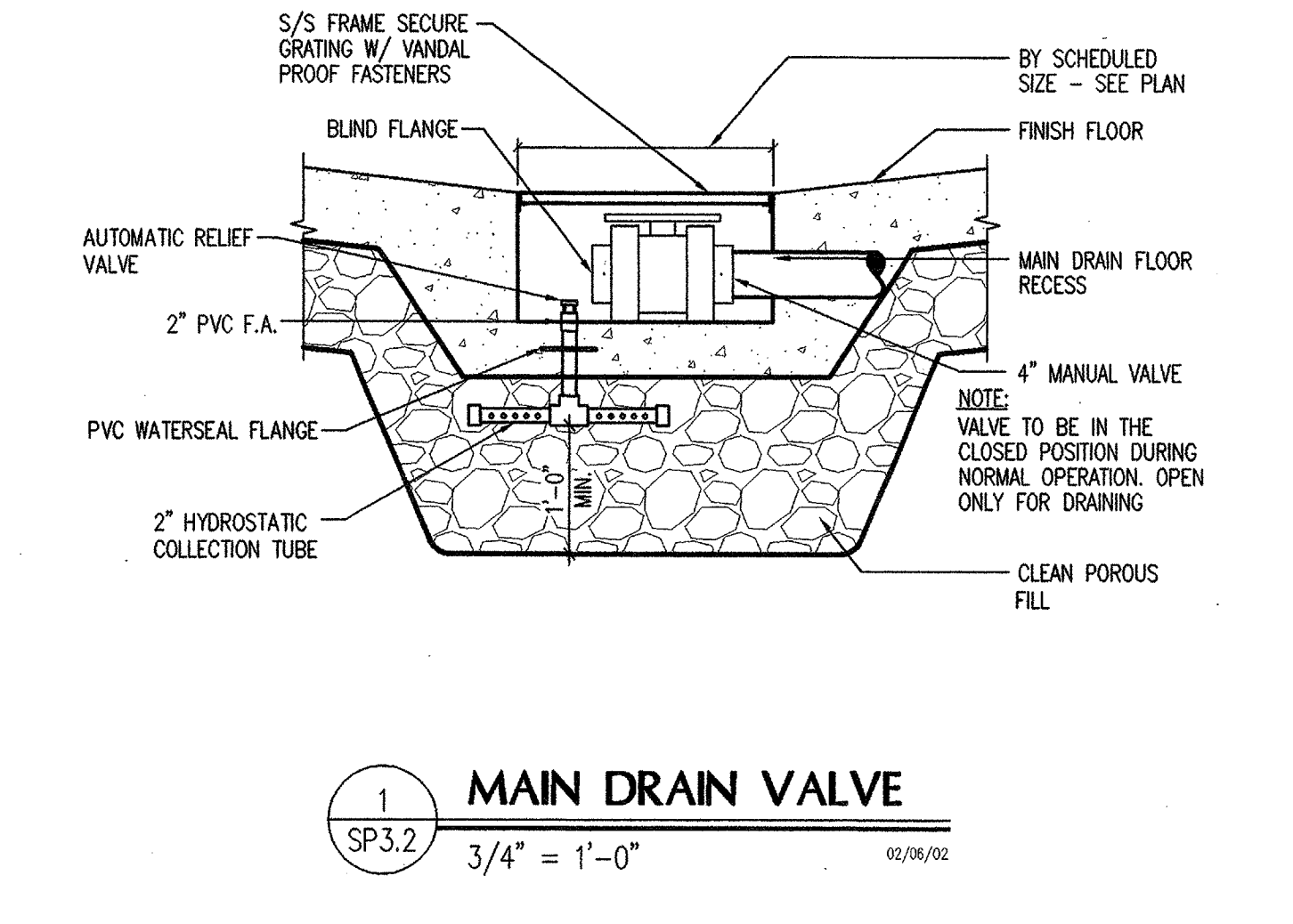
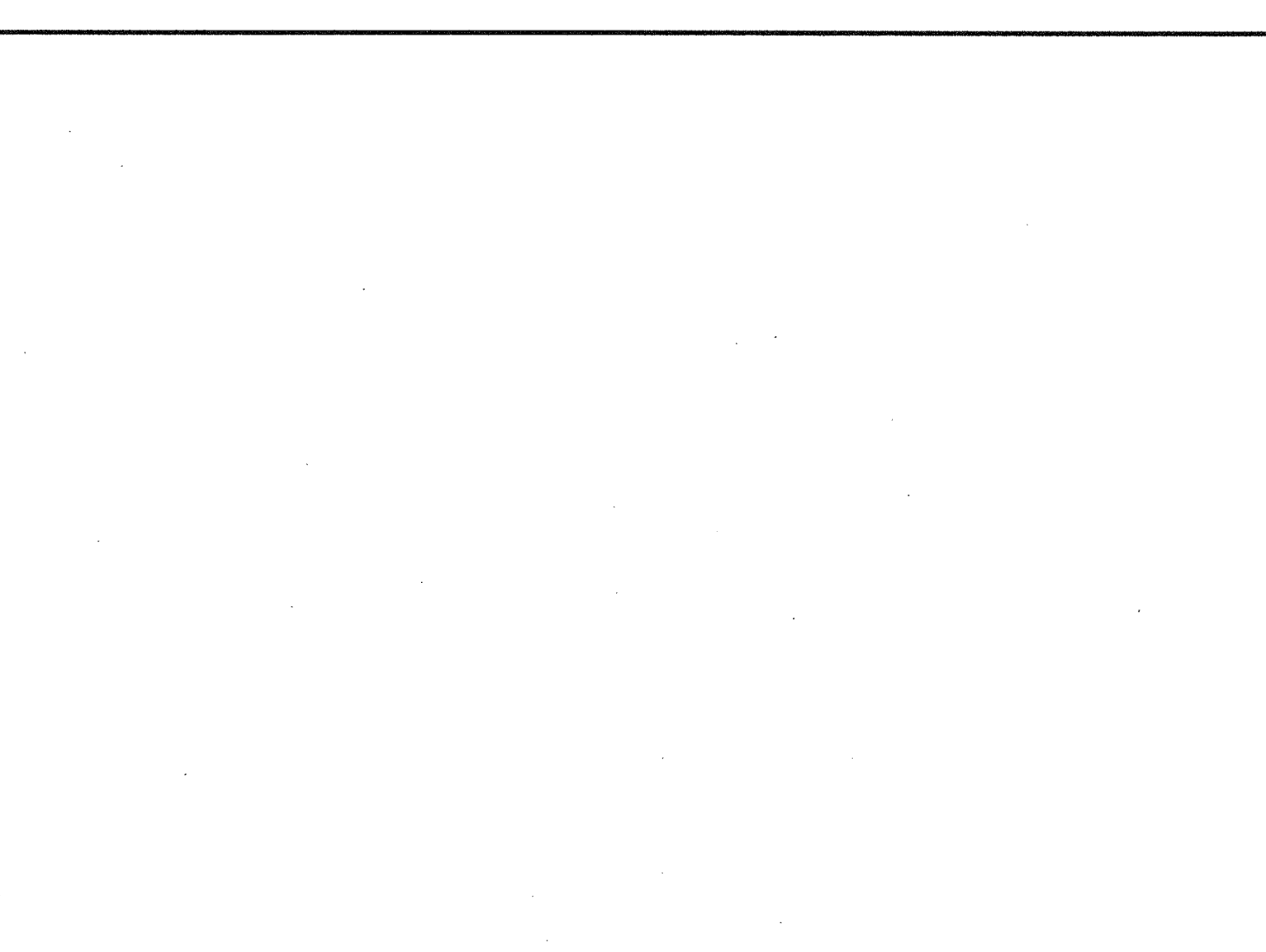
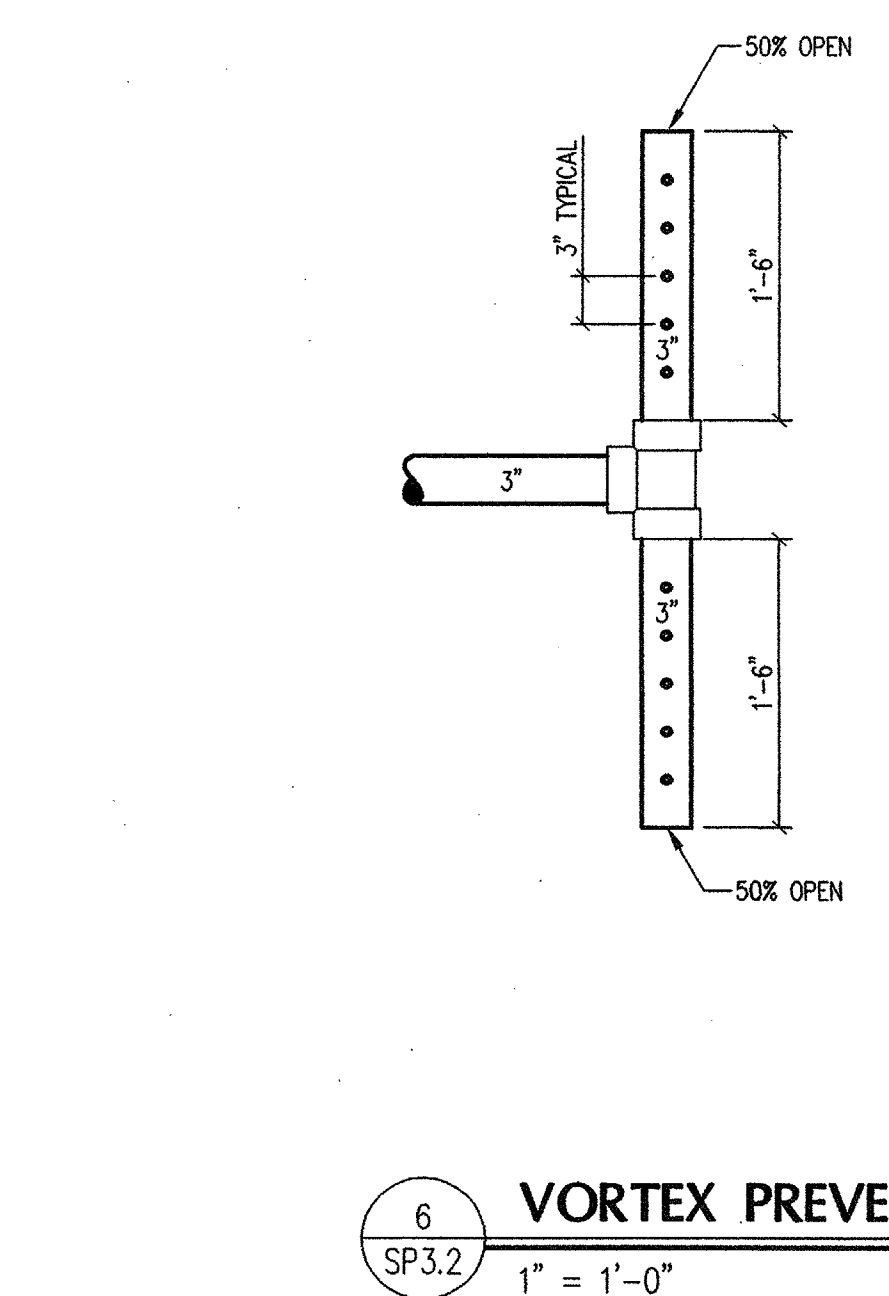
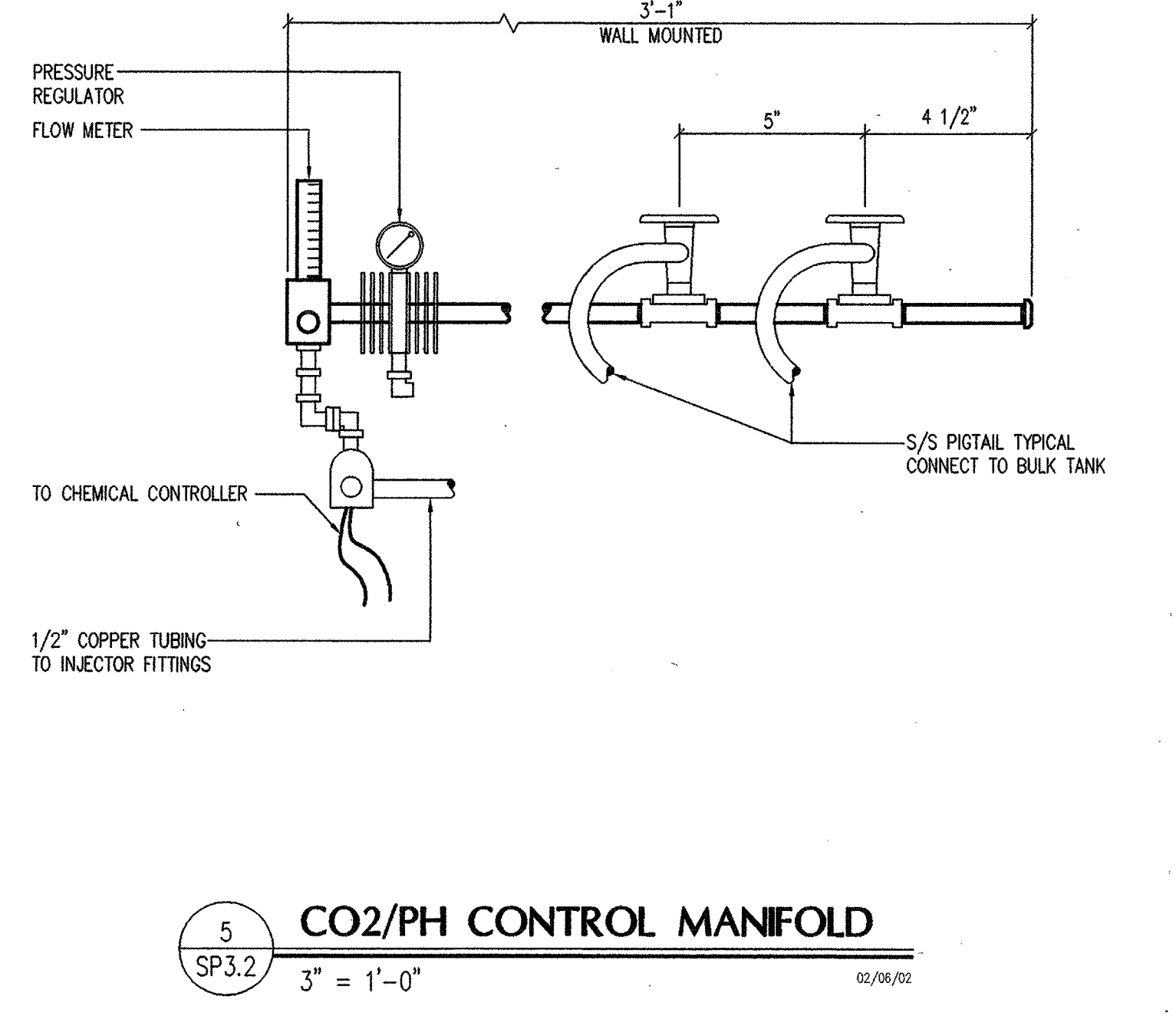
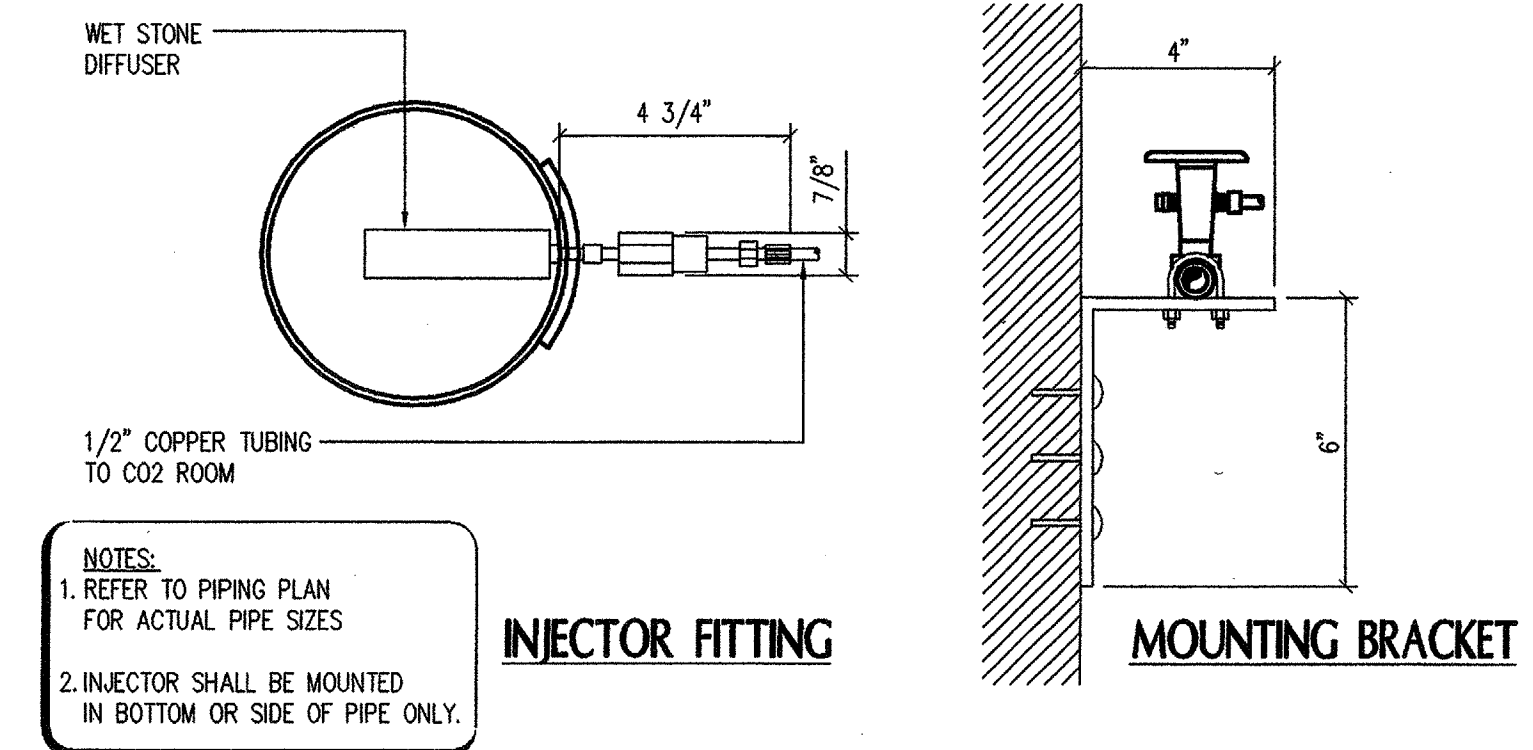
8 ANODE PROTECTION DETAIL
SP3.2 NTS

ADDISON ATHLETIC CLUB EXPANSION
LEISURE POOL
ADDISON, TEXAS

SCALE: NTS
DATE: 02/06/02
DRAWN BY: NTS
SHEET NUMBER: 1

ADDISON ATHLETIC CLUB EXPANSION
LEISURE POOL
ADDISON, TEXAS

SCALE: NTS
DATE: 02/06/02
DRAWN BY: NTS
SHEET NUMBER: 2



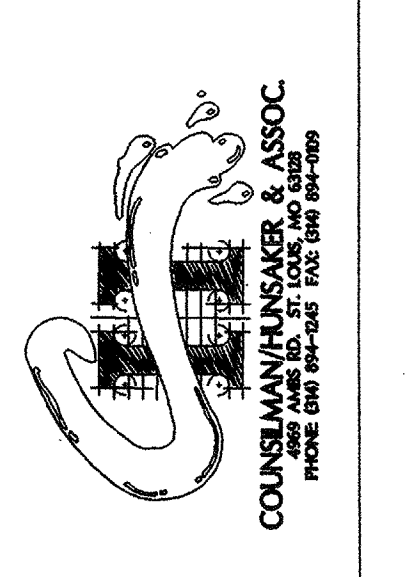
ISSUE DATE: FEB. 20, 2002

REVISIONS:

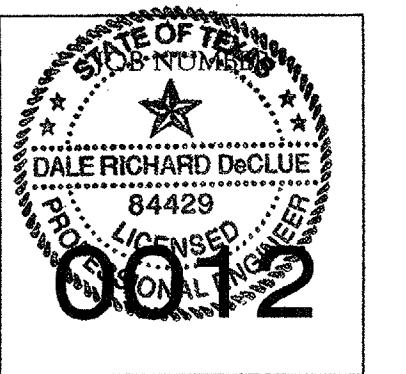
ADDISON ATHLETIC CLUB EXPANSION
AND
LEISURE POOL
ADDISON, TEXAS

RON HOBBS ARCHITECTS

614 W. MAIN ST. SUITE 400 GARLAND, TEXAS 75040
(972) 444-0174 FAX (972) 444-0172



01/10/02



SHEET NUMBER: SP3.2
100% CD's