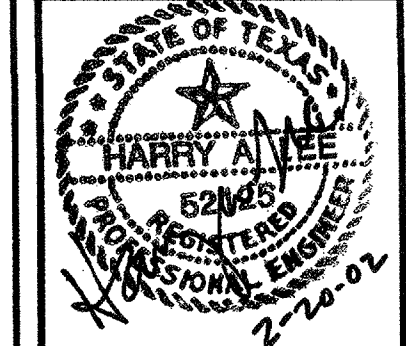


ADDISON ATHLETIC CLUB EXPANSION  
AND  
LEISURE POOL  
ADDISON, TEXAS

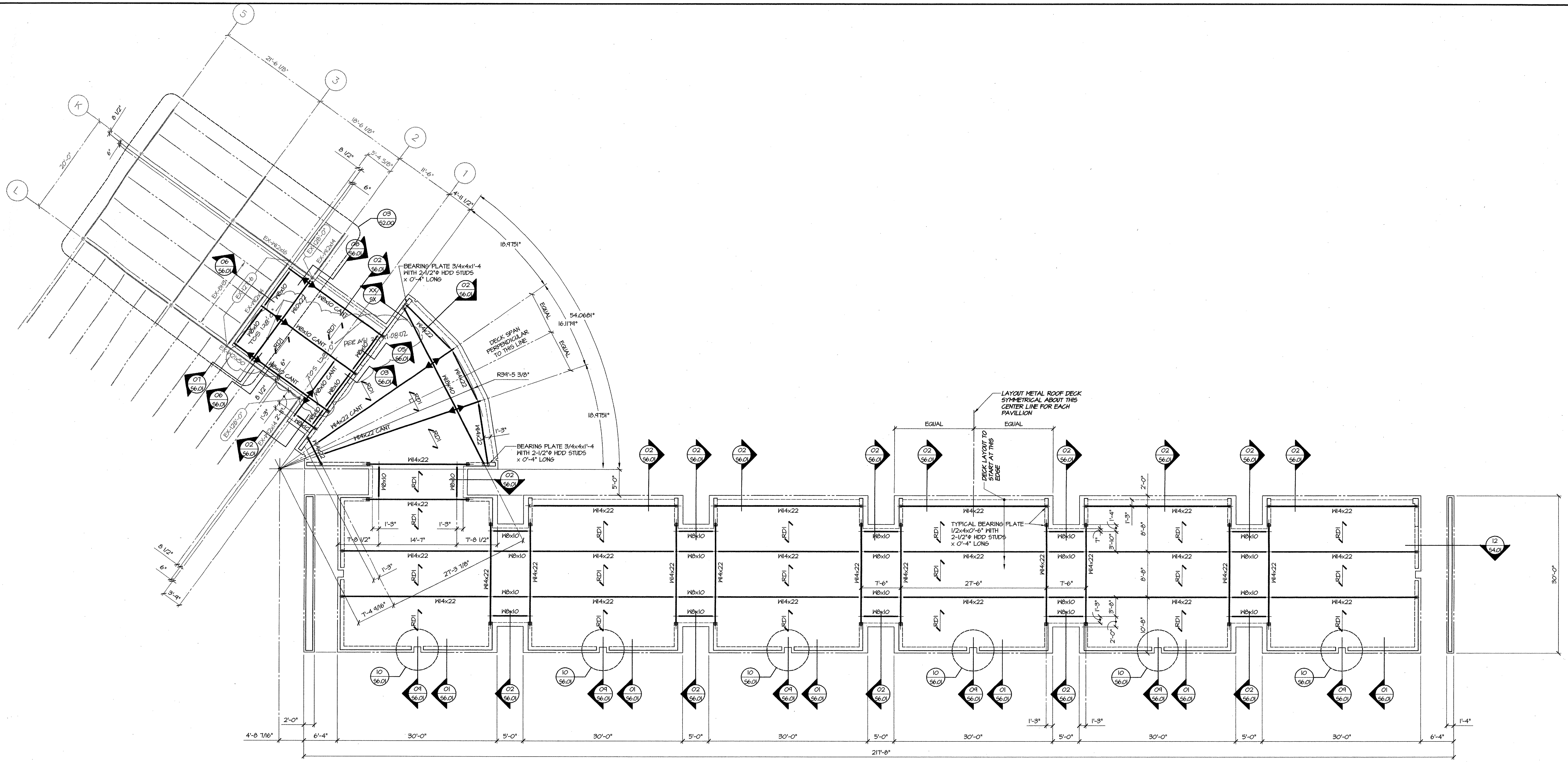
RON HOBBS ARCHITECTS  
614 W. MAIN ST. SUITE 220 GARLAND, TEXAS 75040  
(972) 4940174  
FAX (972) 4940722

Lee & Baldauf  
Consulting Engineers Inc.  
12980 Pendera Drive  
Dallas, TX 75244  
214-342-0389 Fax 214-342-2600



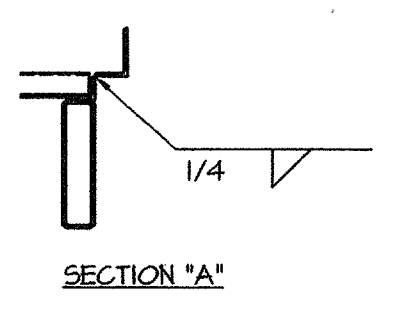
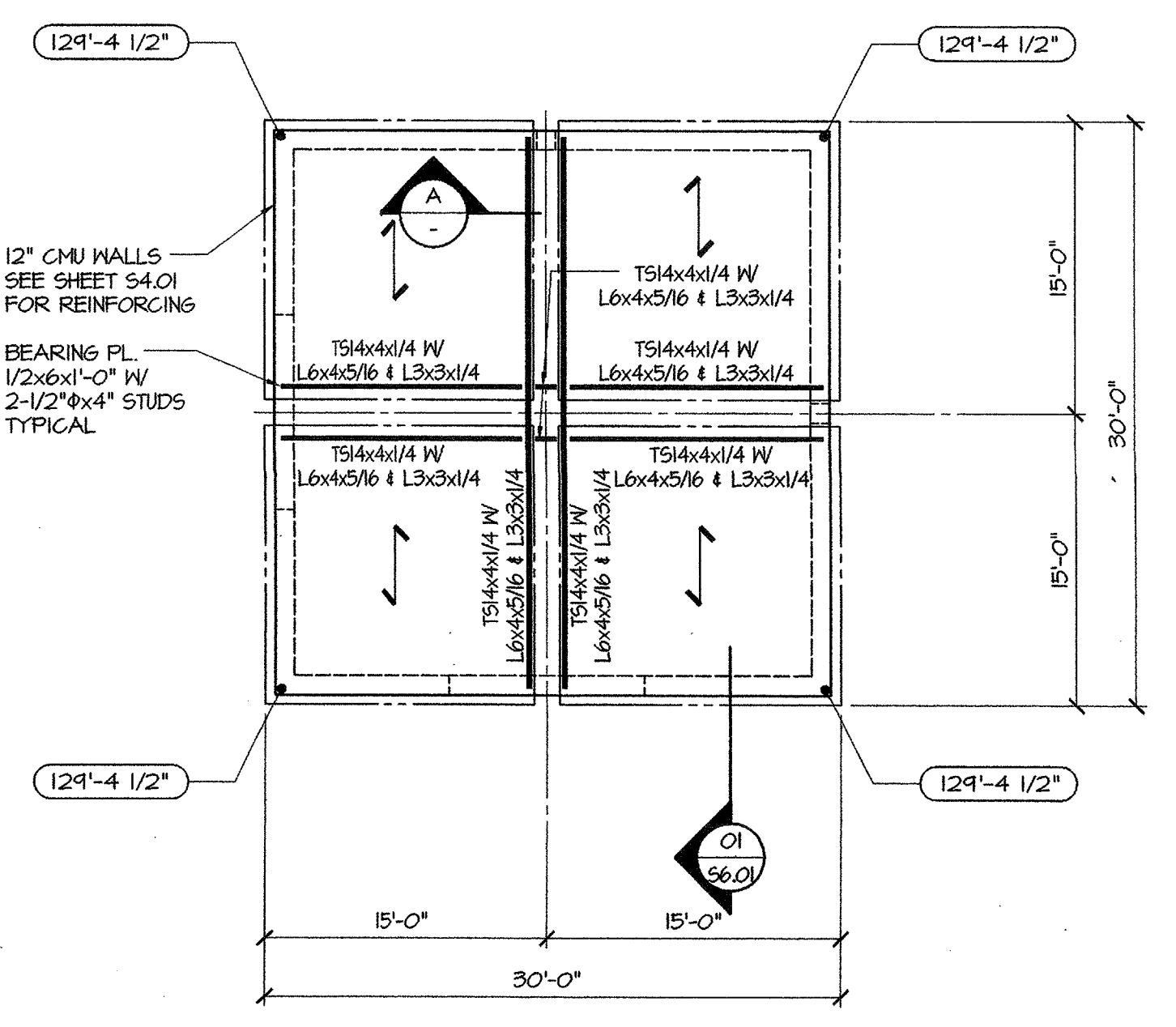
JOB NUMBER  
**0012**  
JOB NAME  
ADDISON ATHLETIC CLUB  
EXPANSION & LEISURE POOL

SHEET DESCRIPTION  
ROOF  
FRAMING PLAN  
SHEET NUMBER  
**S2.03**



PLAN NORTH  
**01** ROOF FRAMING PLAN  
S2.03 1/8"=1'-0"

- PLAN NOTES:
1. RDI - VALGRAFT 3" DEEP (BIA) ACOUSTIC DECK 22 GAUGE MINIMUM 3 SPANS CONTINUOUS.
  2. TOP OF STEEL / BOTTOM OF METAL DECK EL. 129'-4 3/8" TYPICAL, UNO.
  3. SEE SHEET S1.01 FOR GENERAL NOTES.
  4. ◀ INDICATES MOMENT CONNECTION.



**02** NORTH PAVILLION  
ROOF FRAMING PLAN  
S2.03 1/8"=1'-0"

DRAWING INDEX	
GENERAL NOTES	S1.01
DEMO PLAN	S2.00
TYPICAL FOUNDATION DETAILS	S3.01
PIER SCHEDULE	S3.01
TYPICAL POOL DETAILS	S3.02
TYPICAL CMU DETAILS	S4.01
TYPICAL FLOOR DETAILS	S5.01
TYPICAL ROOF DETAILS	S6.01

20010710-00 02-30-02