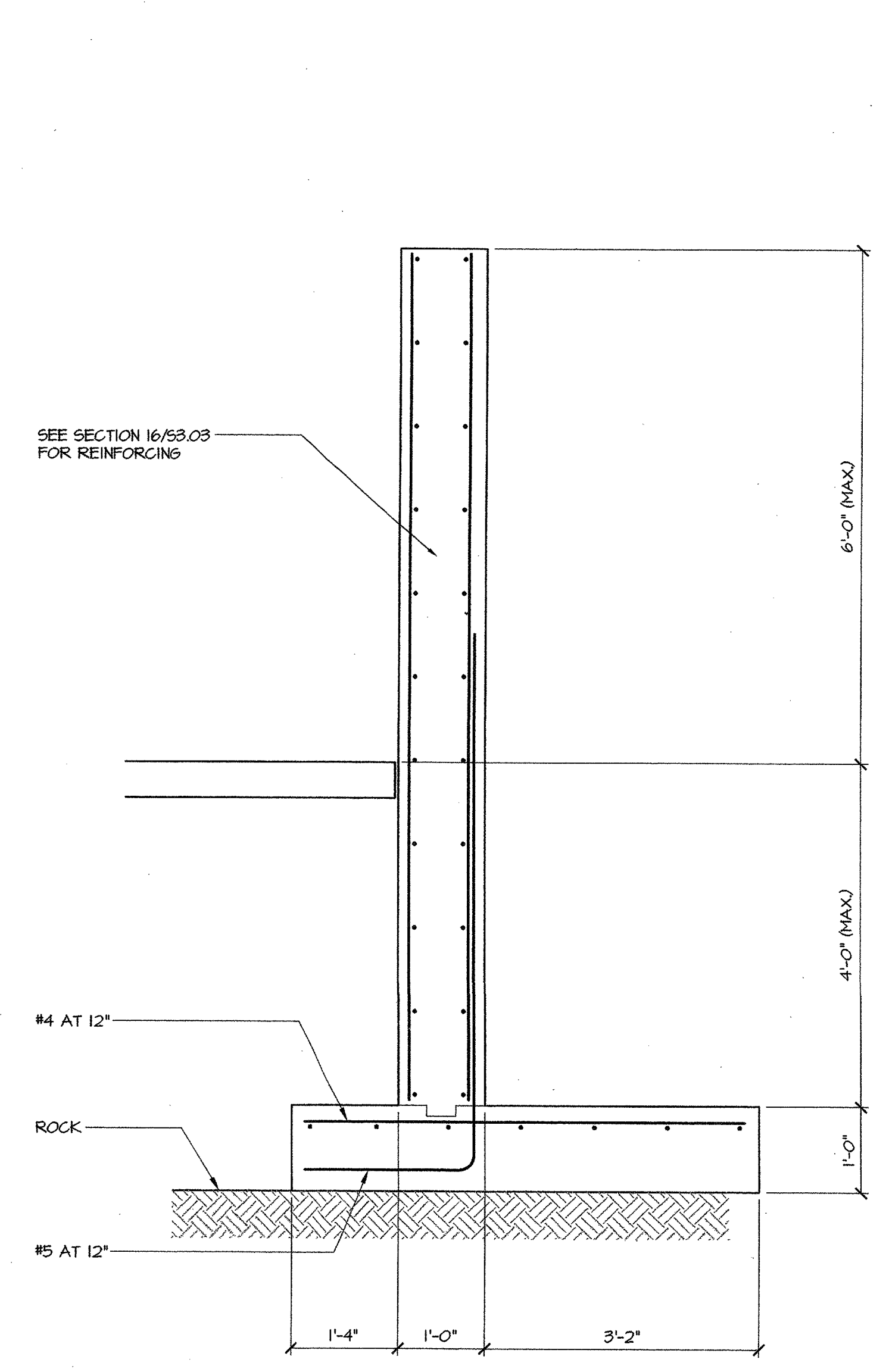


SCHEDULE

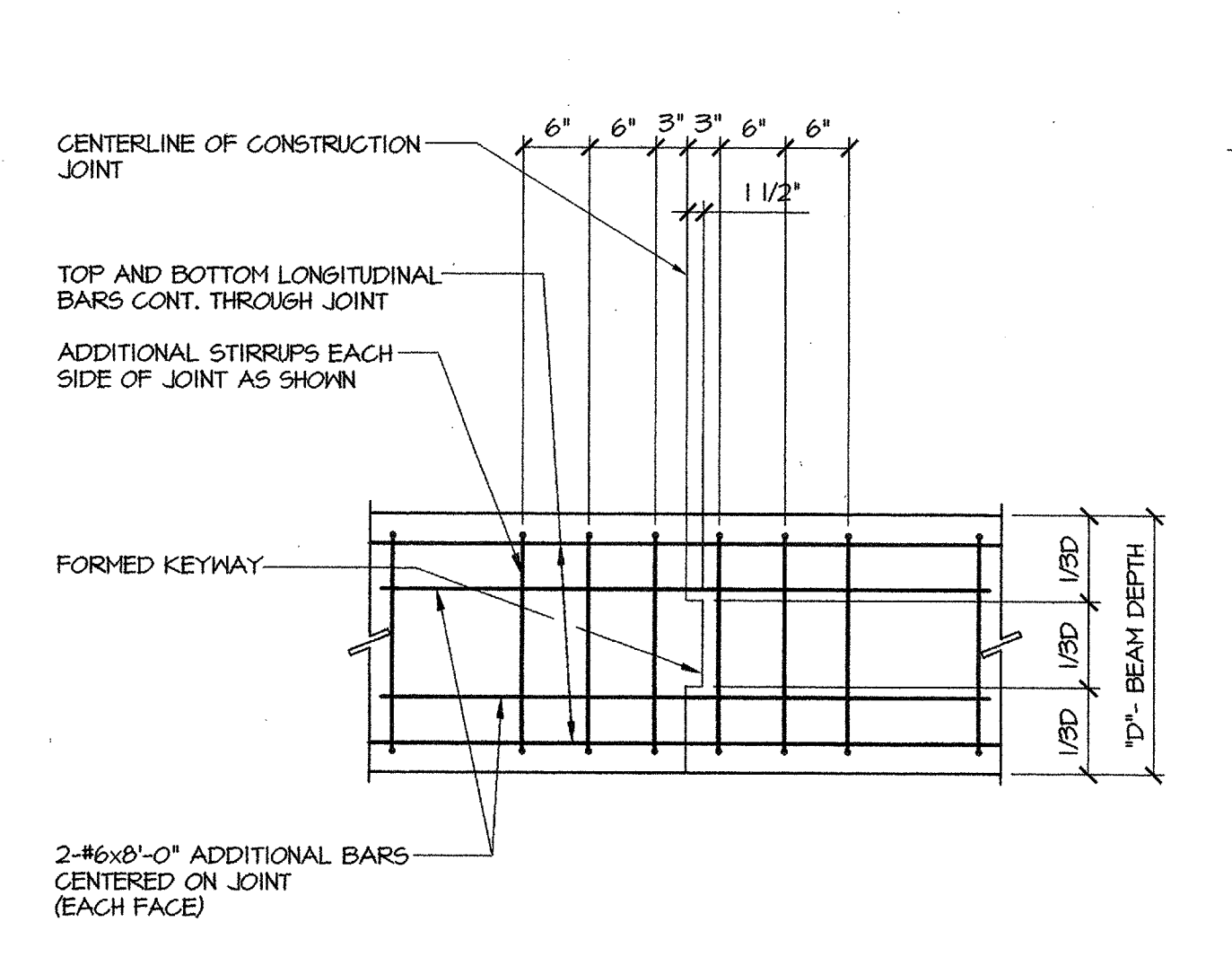
SHAFT DIAMETER (IN)	REINFORCING	REMARKS
18	6-#5	#3 AT 12"
18A	4-#4	#4 AT 6" BAR ORIENTATION CRITICAL SEE DETAILS
24	8-#8	#3 AT 12"
30	8-#8	#3 AT 12"
36	10-#8	#4 AT 12"

06 TYPICAL DETAIL
S3.01 NONE

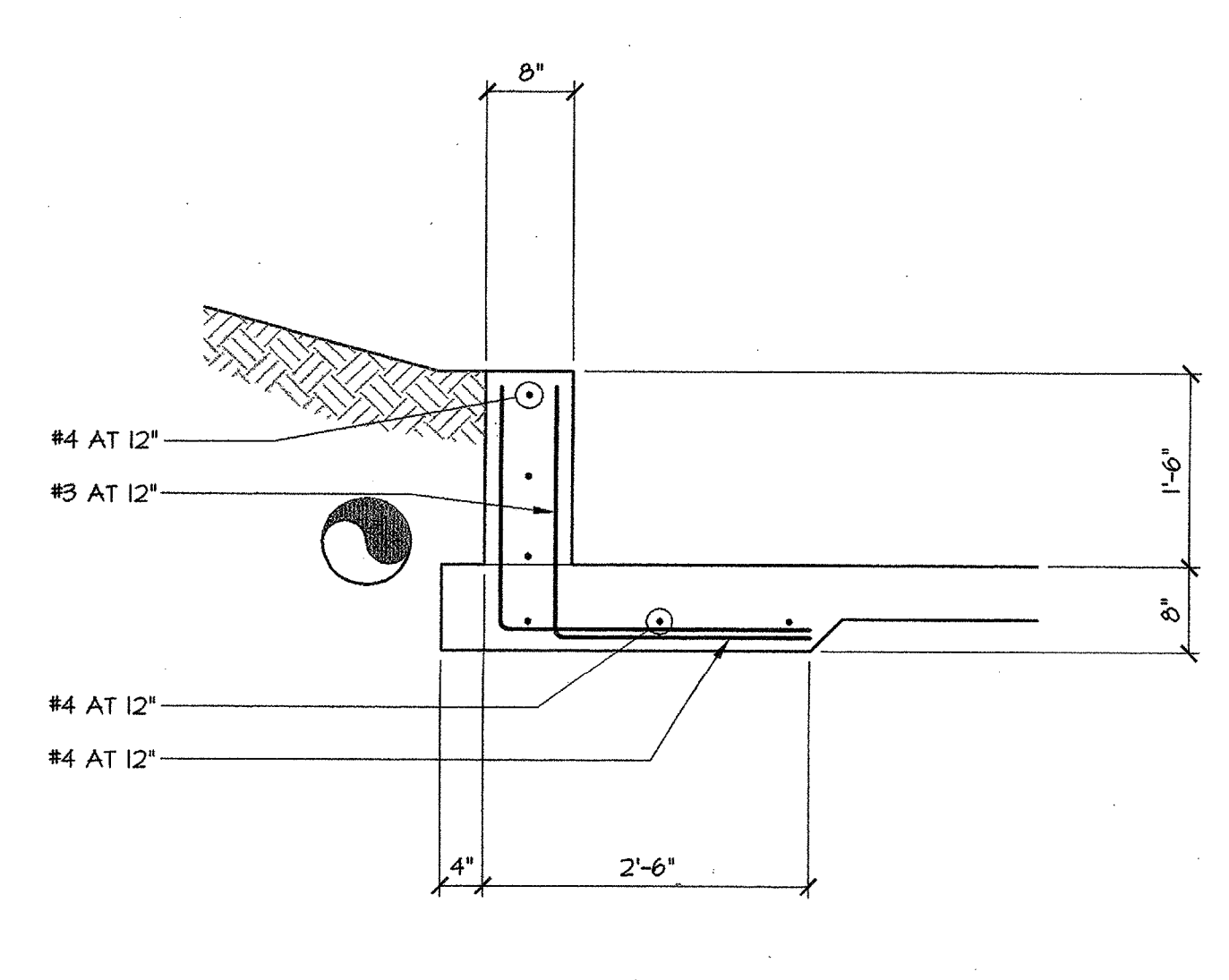


07 TYPICAL DETAIL
S3.01

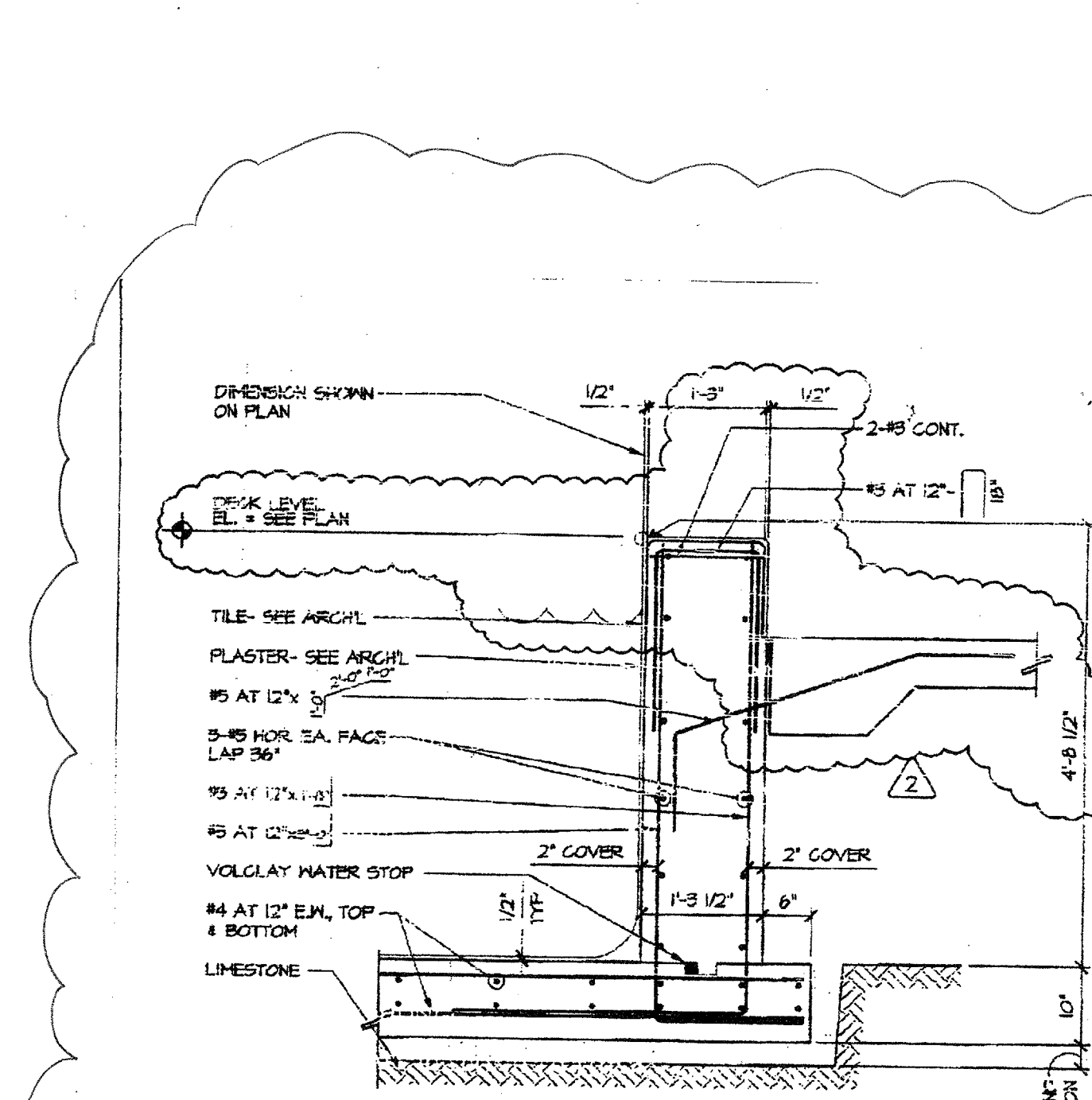
08 SECTION
S3.01 3/4"=1'-0"



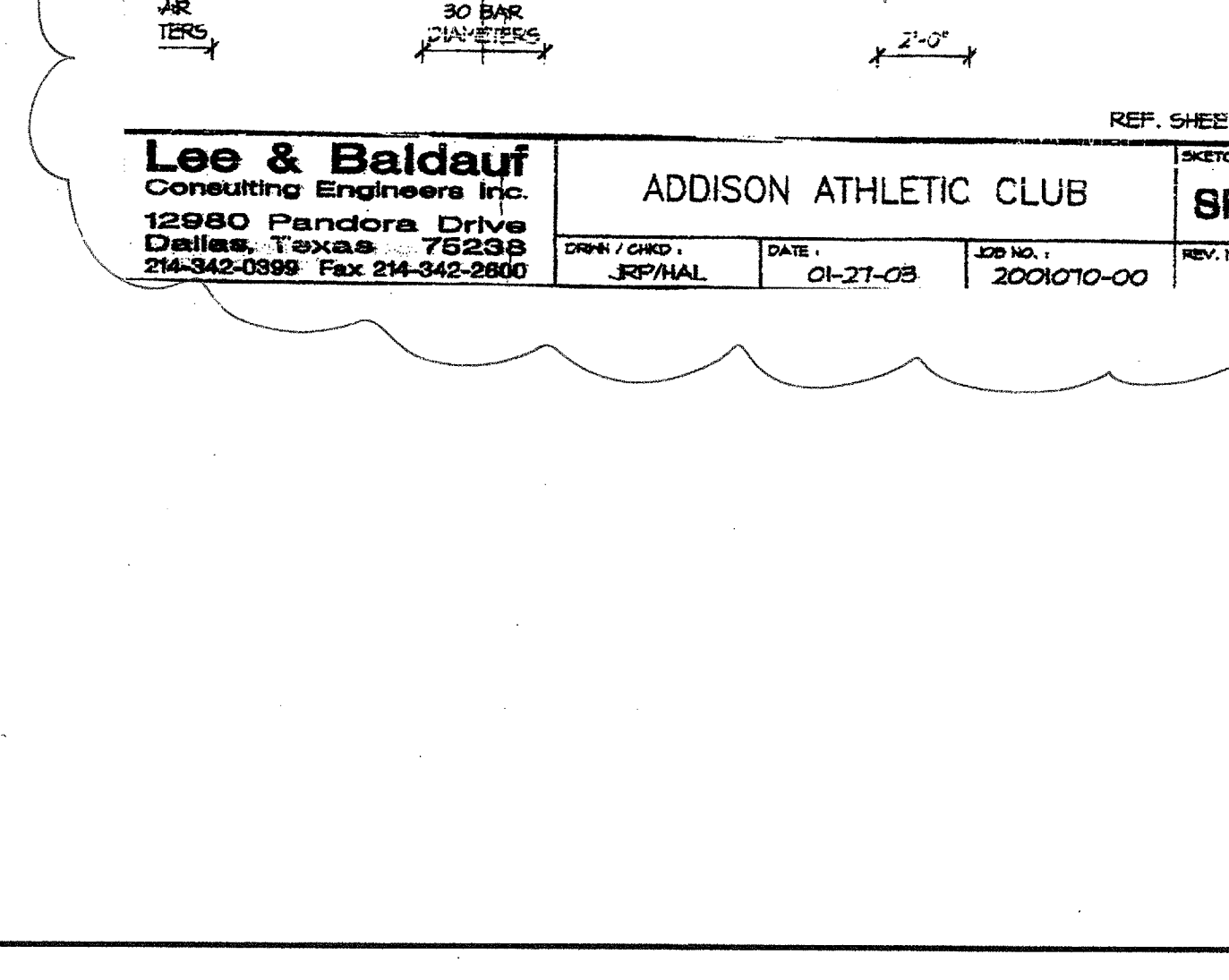
01 TYPICAL DETAIL
S3.01



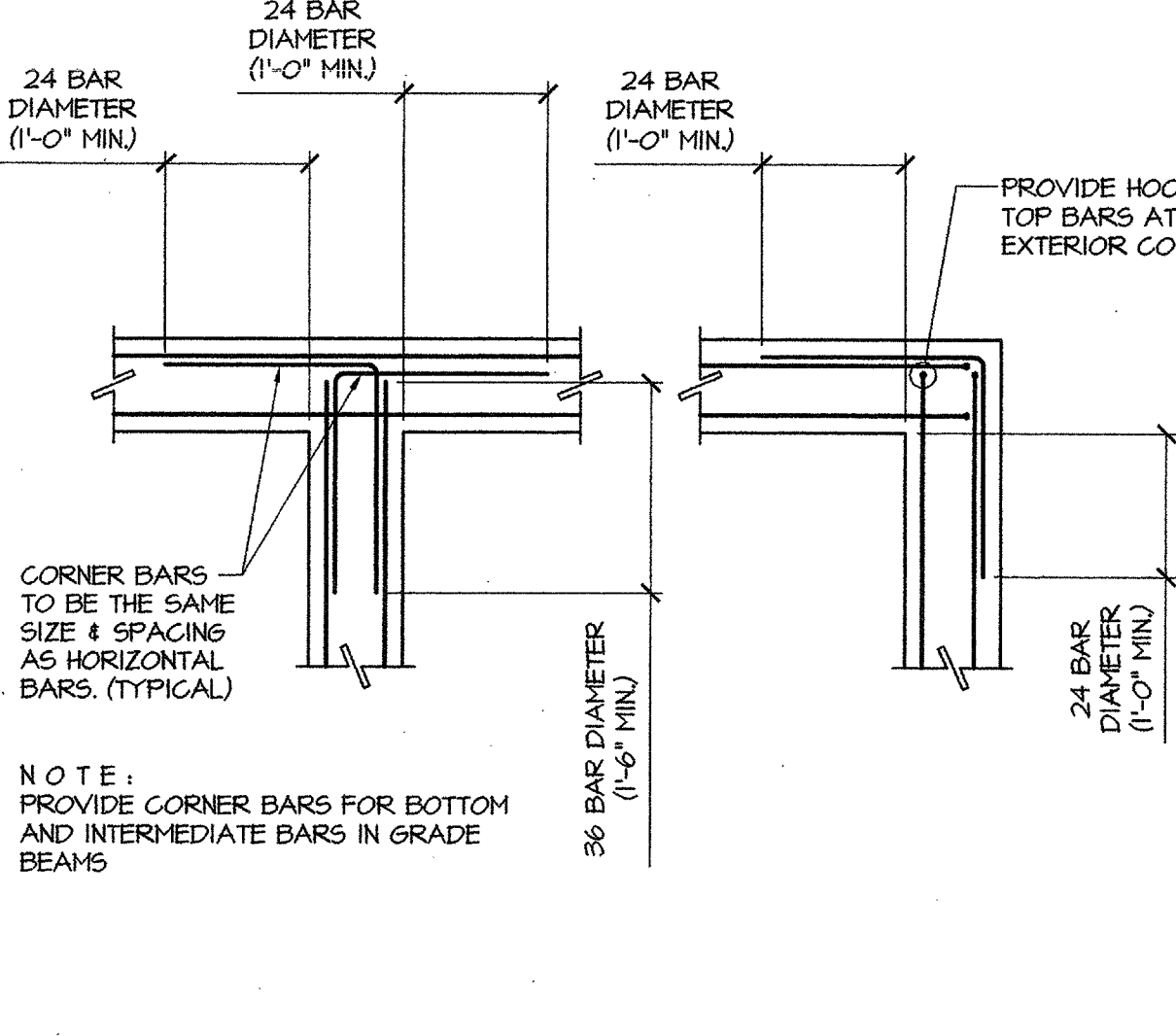
02 TYPICAL DETAIL
S3.01



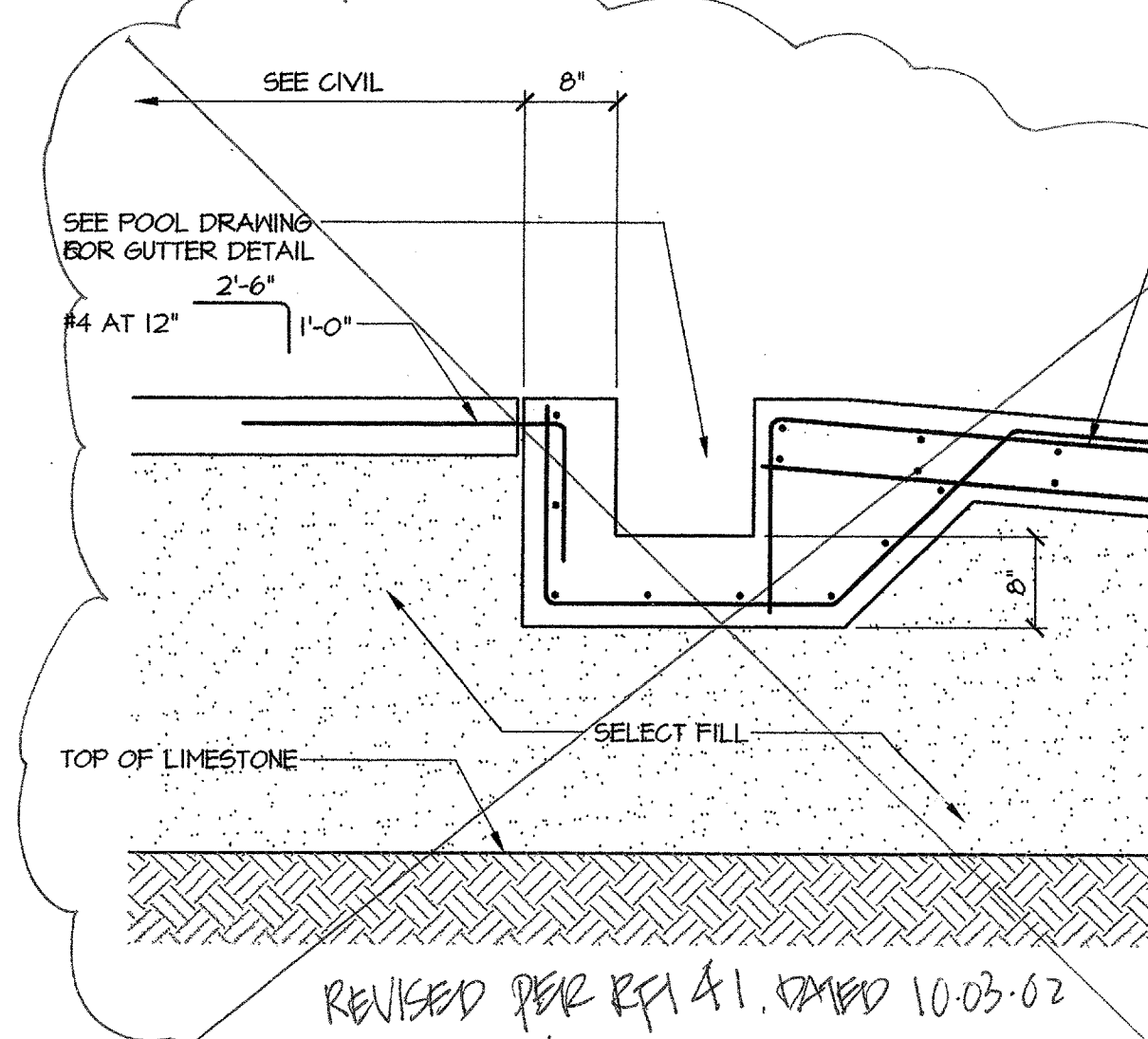
03 TYPICAL DETAIL
S3.01



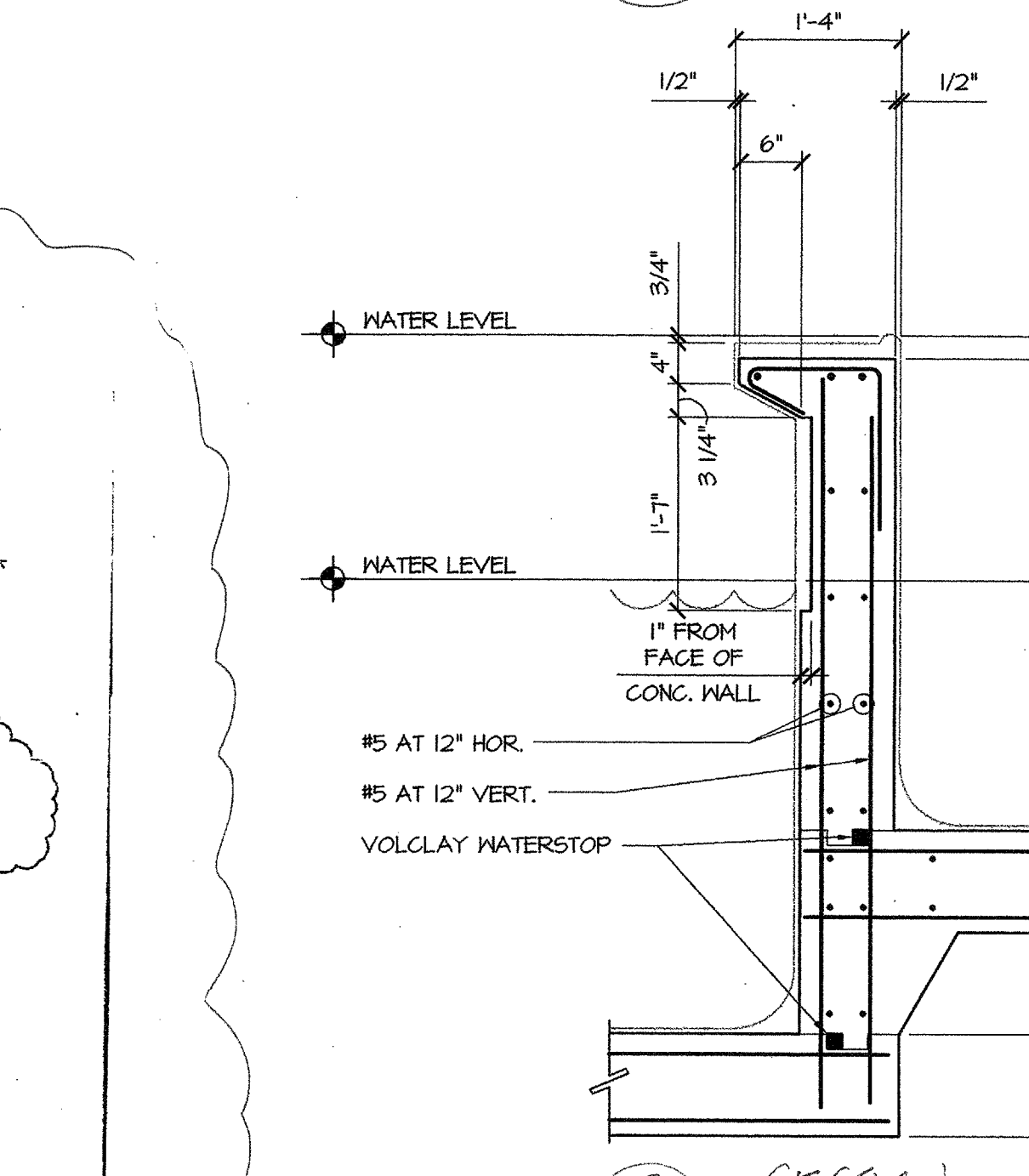
04 SECTION
S3.01 3/4"=1'-0"



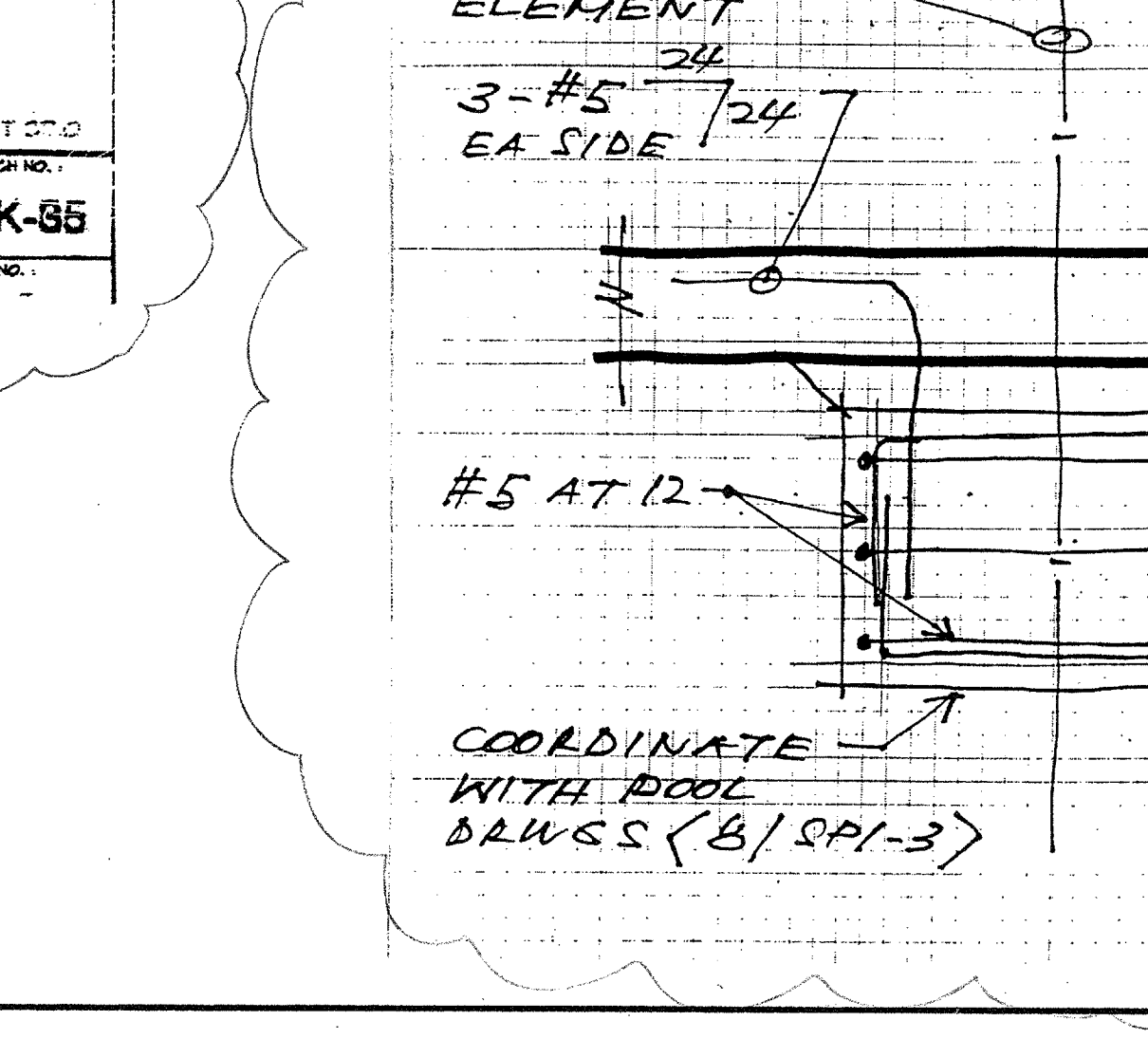
05 TYPICAL DETAIL
S3.01



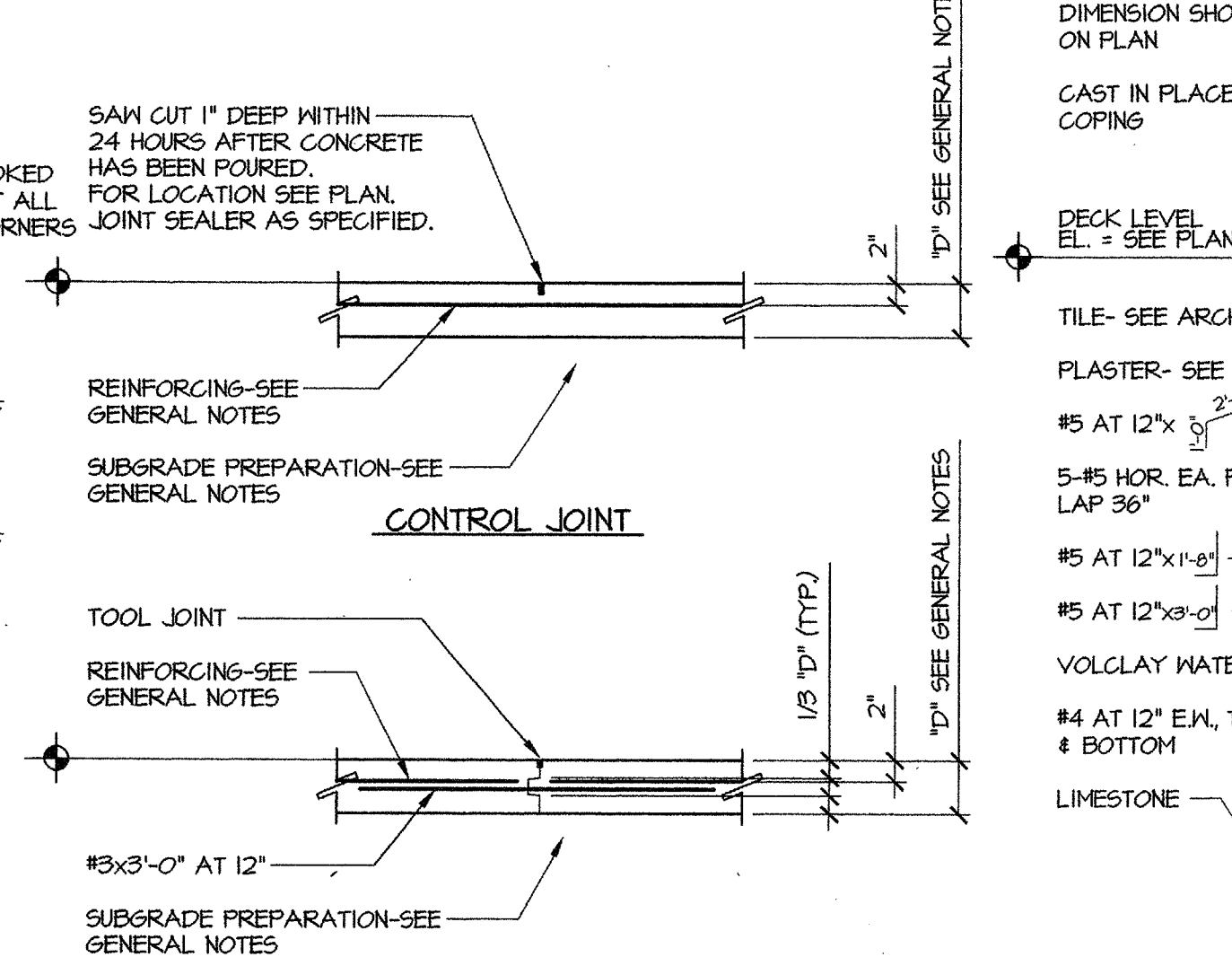
06 TYPICAL DETAIL
S3.01



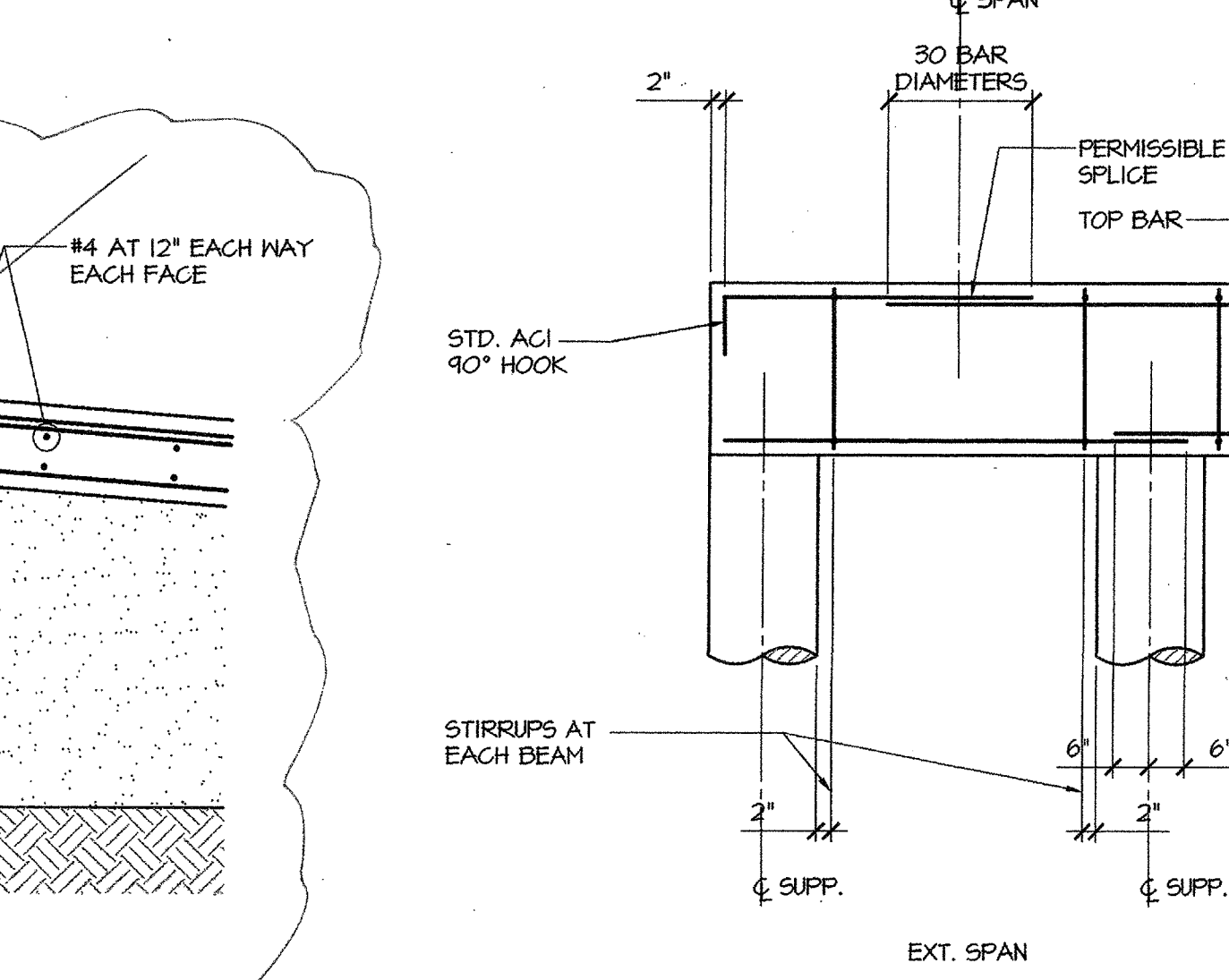
07 TYPICAL DETAIL
S3.01



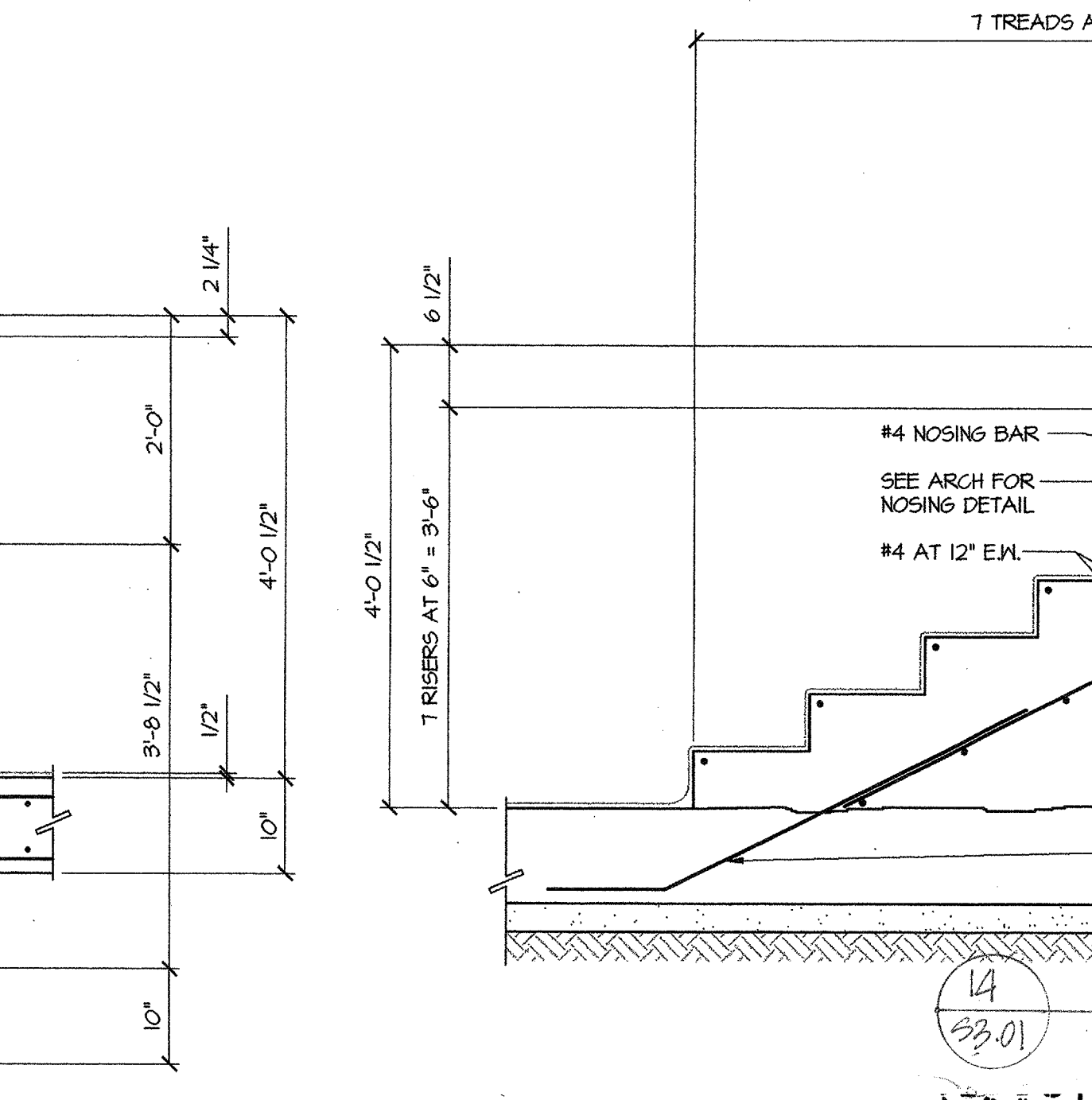
08 SECTION
S3.01 3/4"=1'-0"



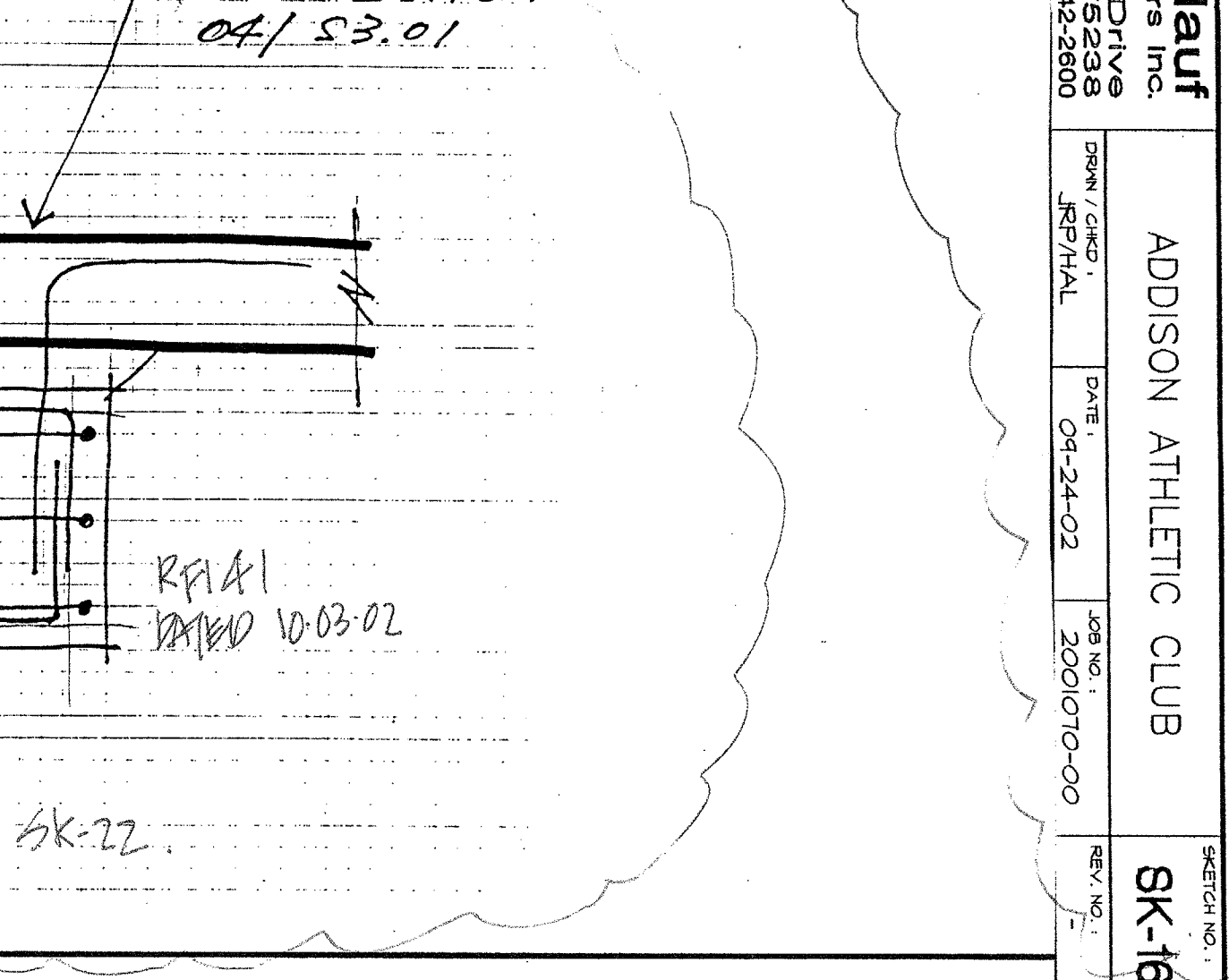
09 TYPICAL DETAIL
S3.01



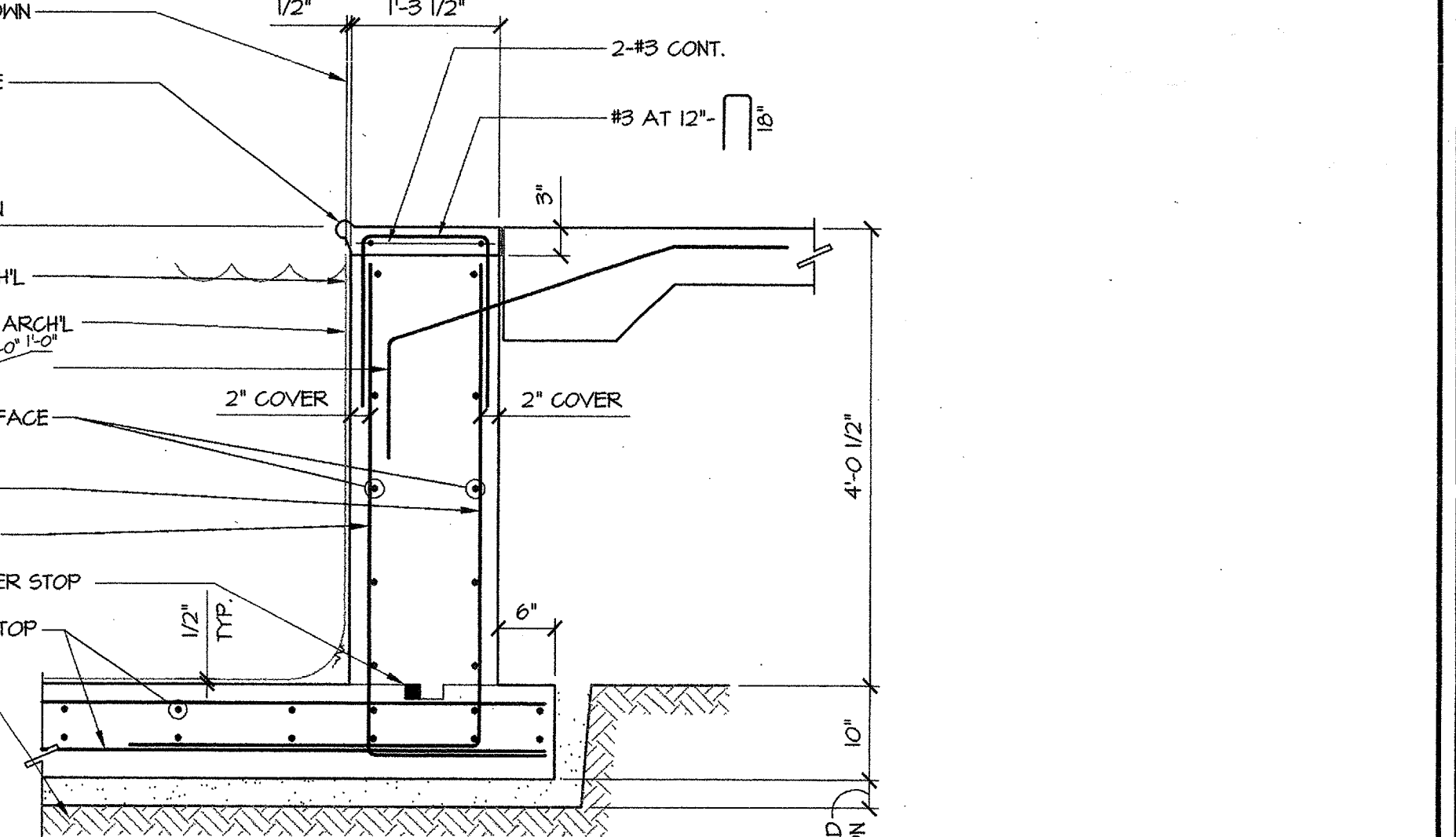
10 TYPICAL DETAIL
S3.01



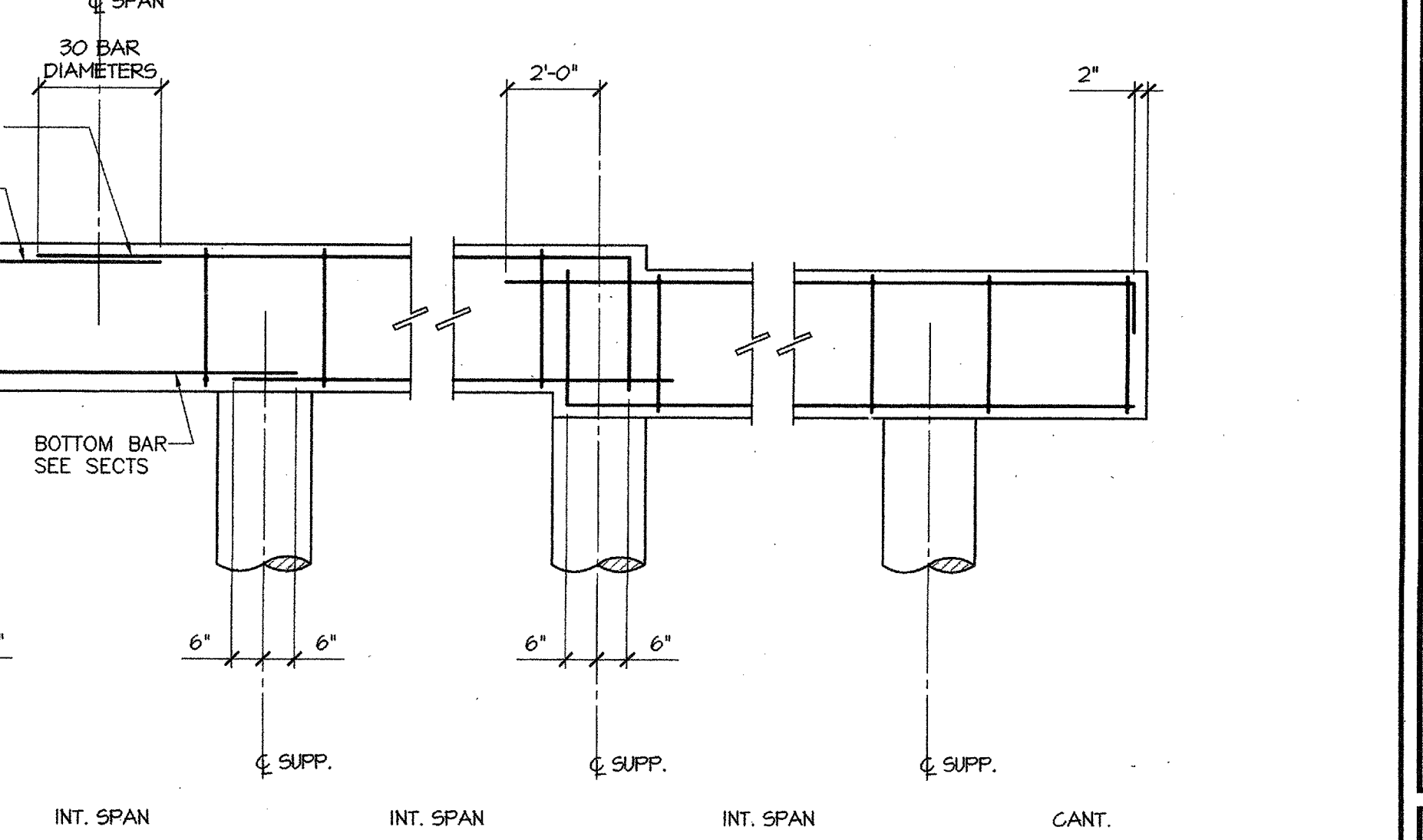
11 SECTION
S3.01 3/4"=1'-0"



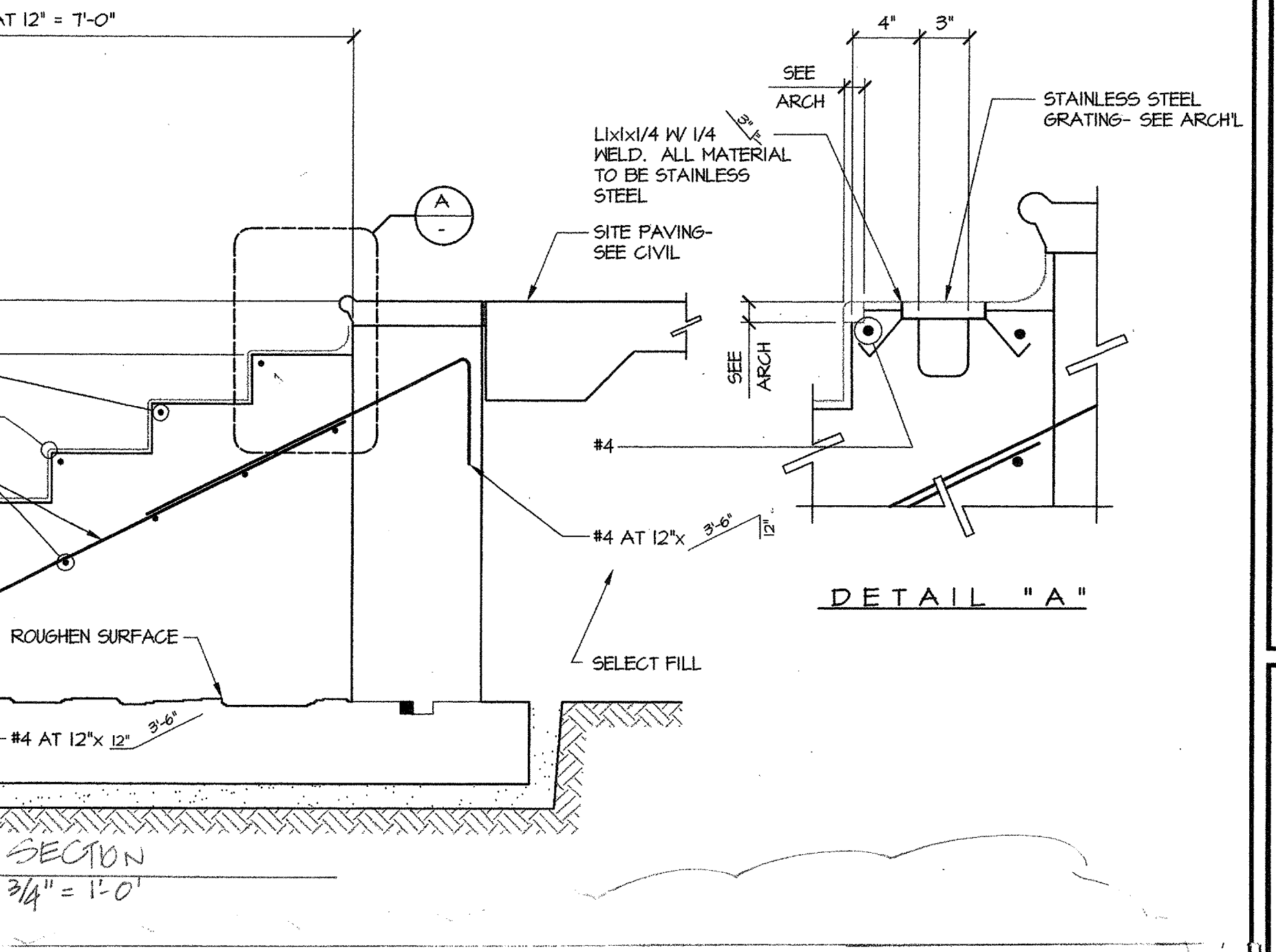
12 SECTION
S3.01 3/4"=1'-0"



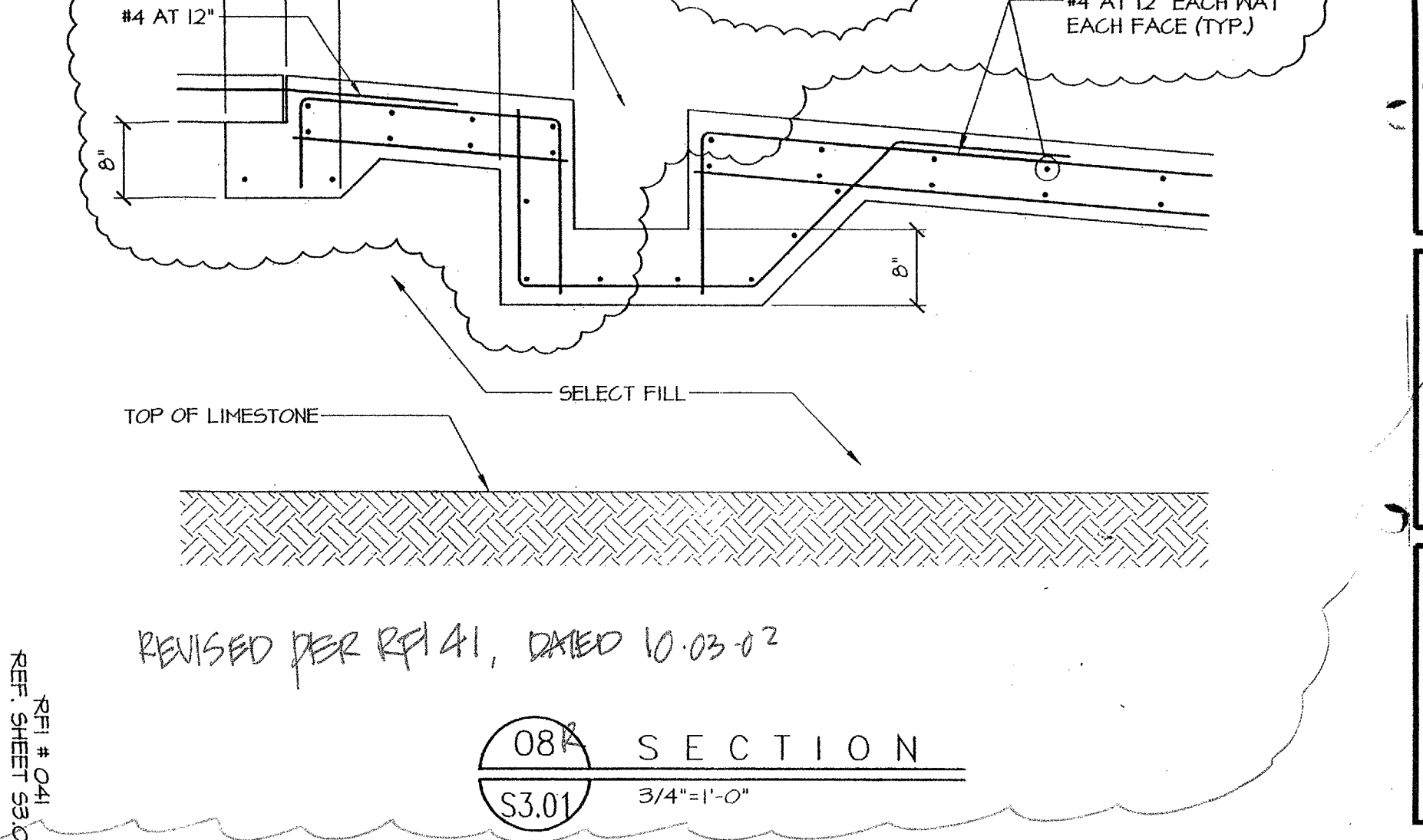
13 SECTION
S3.01 3/4"=1'-0"



14 SECTION
S3.01 3/4"=1'-0"



15 SECTION
S3.01 3/4"=1'-0"



16 SECTION
S3.01 3/4"=1'-0"

ALTERNATE FOUNDATION TO 16/53.03

17 TYPICAL DETAIL
S3.01

Lee & Baldauf
Consulting Engineers Inc.
12980 Pandora Drive
Dallas, Texas 75238
214-342-0899 Fax 214-342-2800

ADDISON ATHLETIC CLUB

DATE: 01-21-03
JOB NO.: 2001070-00

REV. NO.:
REV. DATE:

REF. SHEET: 8K-65

Lee & Baldauf
Consulting Engineers Inc.
12980 Pandora Drive
Dallas, Texas 75238
214-342-0899 Fax 214-342-2800

ADDISON ATHLETIC CLUB

DATE: 01-24-02
JOB NO.: 2001070-00

REV. NO.:
REV. DATE:

REF. SHEET: 8K-16

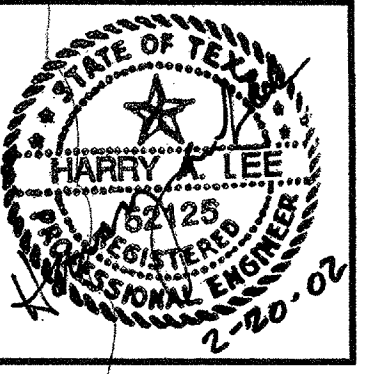
ISSUE DATE
FEBRUARY 20, 2002

REVISIONS

ADDISON ATHLETIC CLUB EXPANSION AND LEISURE POOL
ADDISON, TEXAS

RON HOBBS ARCHITECTS
614 W. MAIN ST. SUITE #200 GARLAND, TEXAS 75040
(972) 494-0174

Lee & Baldauf
Consulting Engineers Inc.
12980 Pandora Drive
Dallas, Texas 75238
214-342-0899 Fax 214-342-2800



JOB NUMBER
0012

JOB NAME
ADDISON ATHLETIC CLUB EXPANSION & LEISURE POOL

SHEET DESCRIPTION
TYPICAL SECTIONS & DETAILS

SHEET NUMBER
S3.01