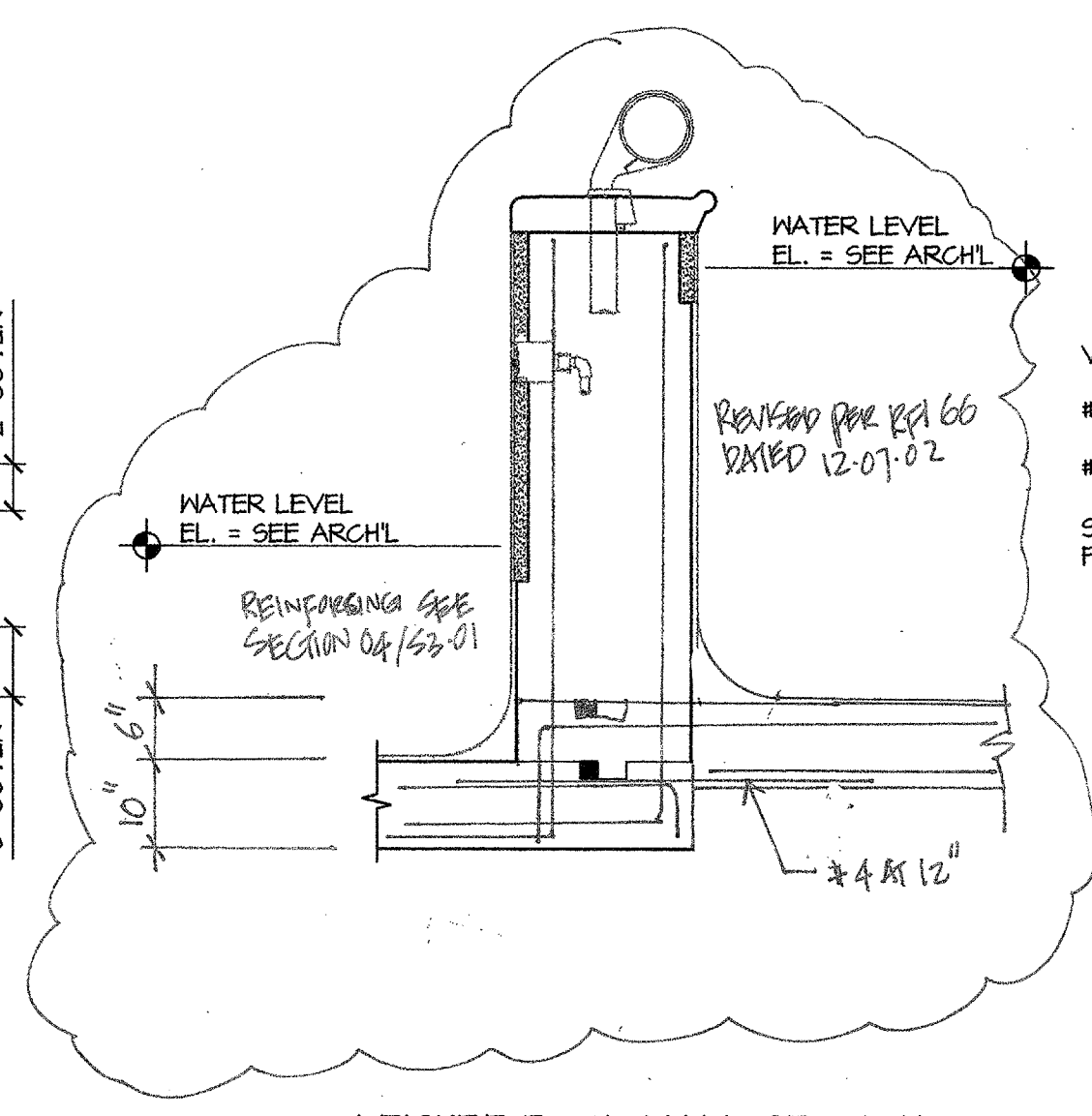
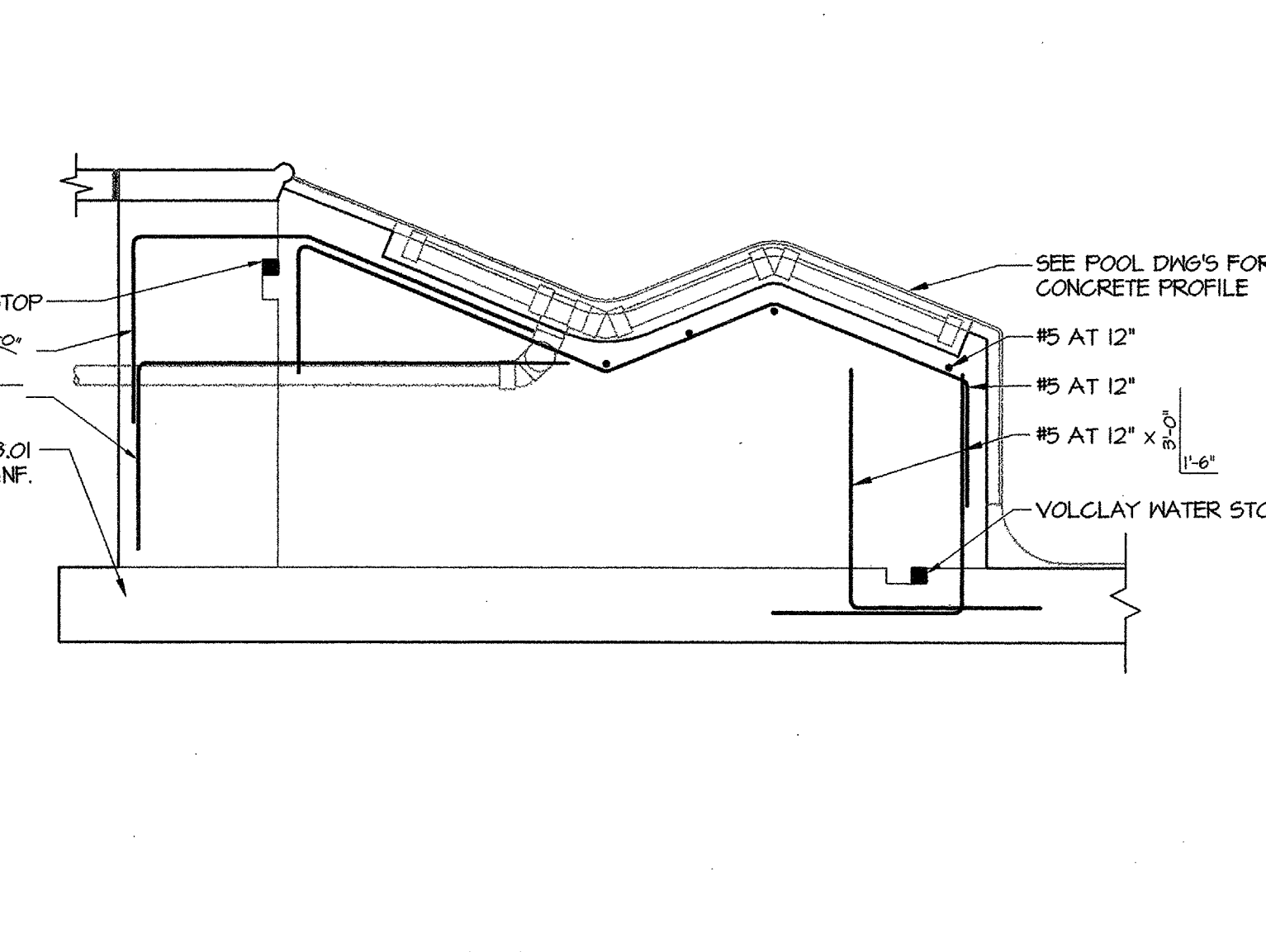


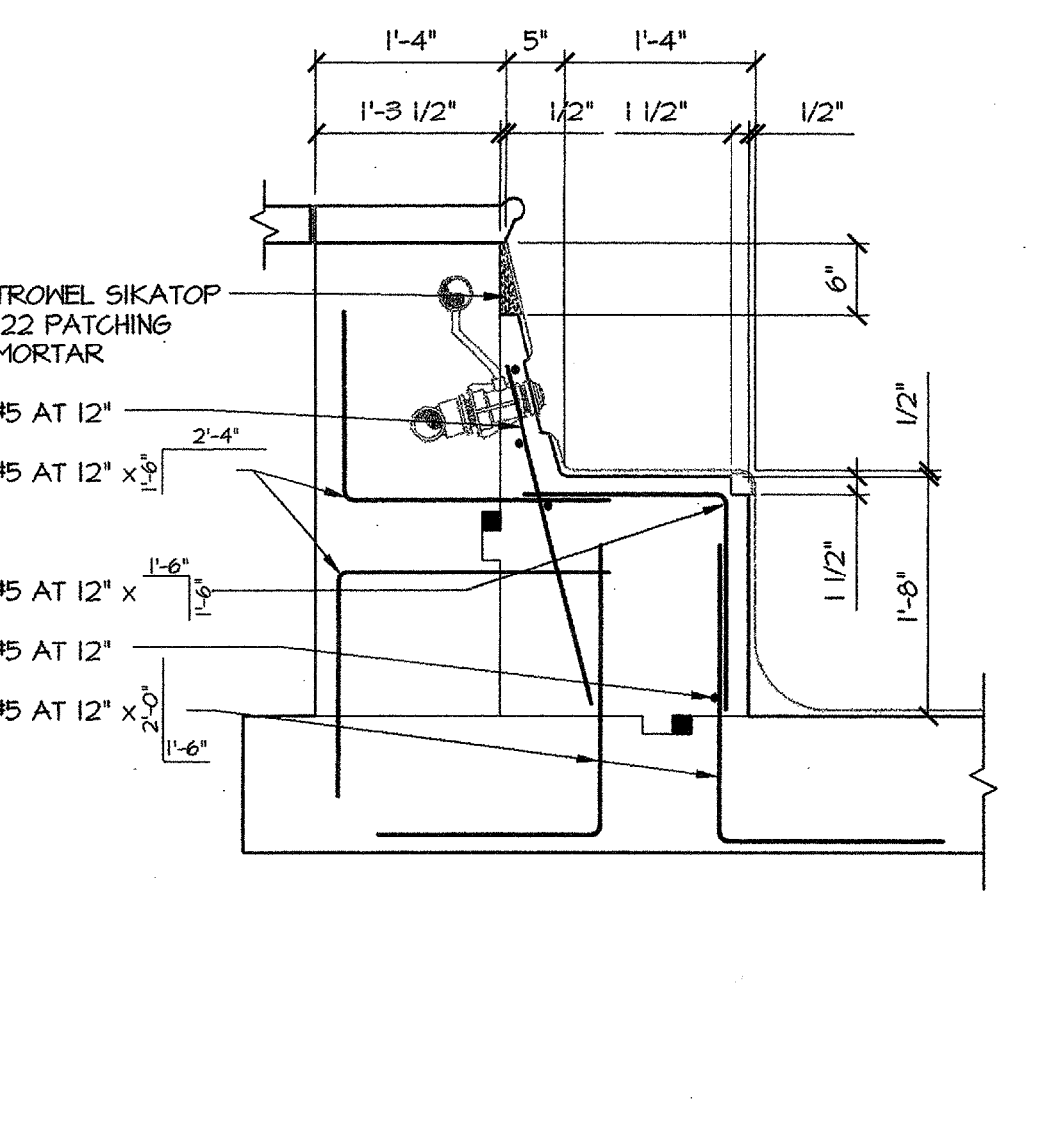
01 TYPICAL DETAIL
S3.02 3/4" = 1'-0"



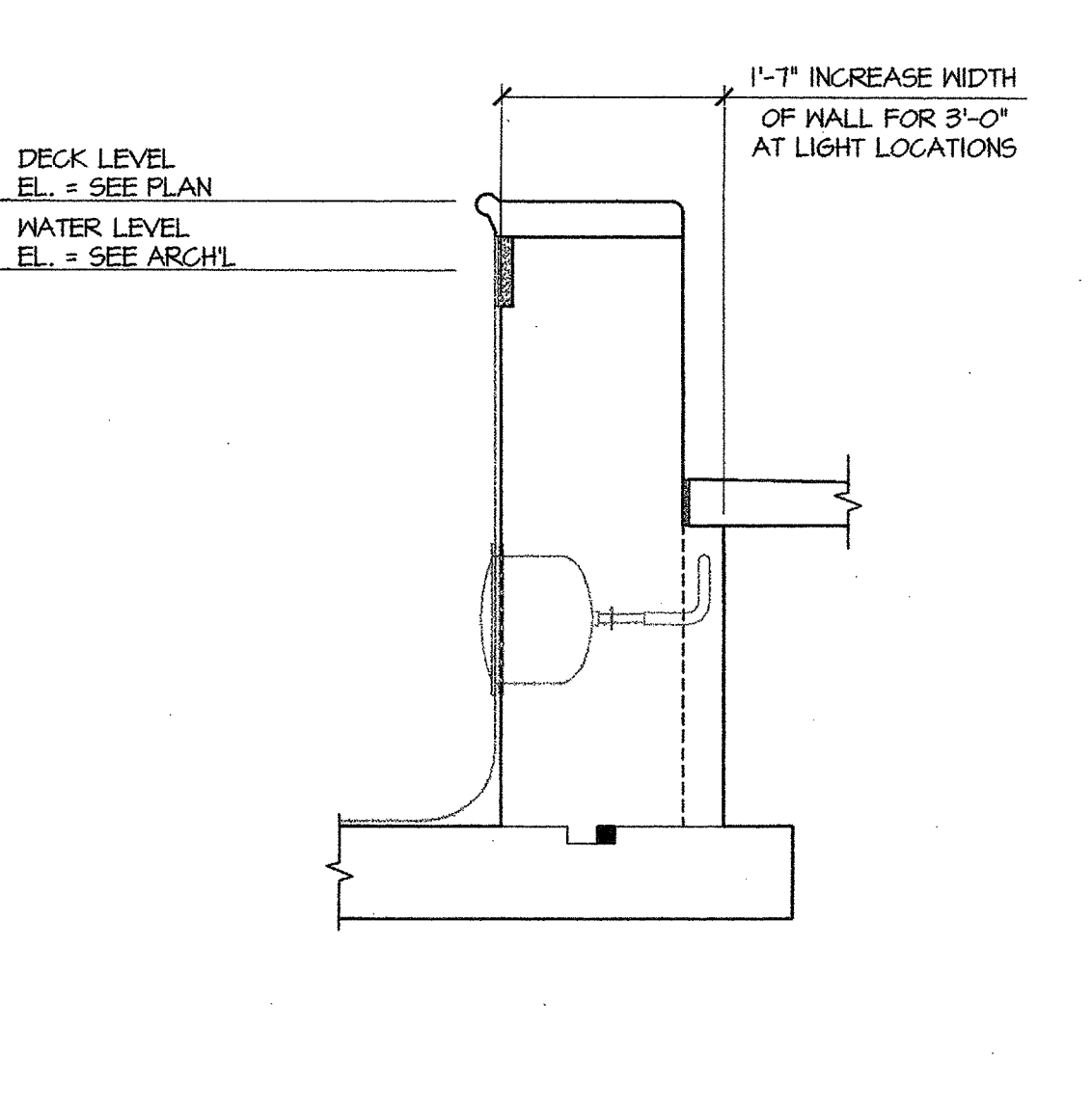
02 TYPICAL DETAIL
S3.02 3/4" = 1'-0"



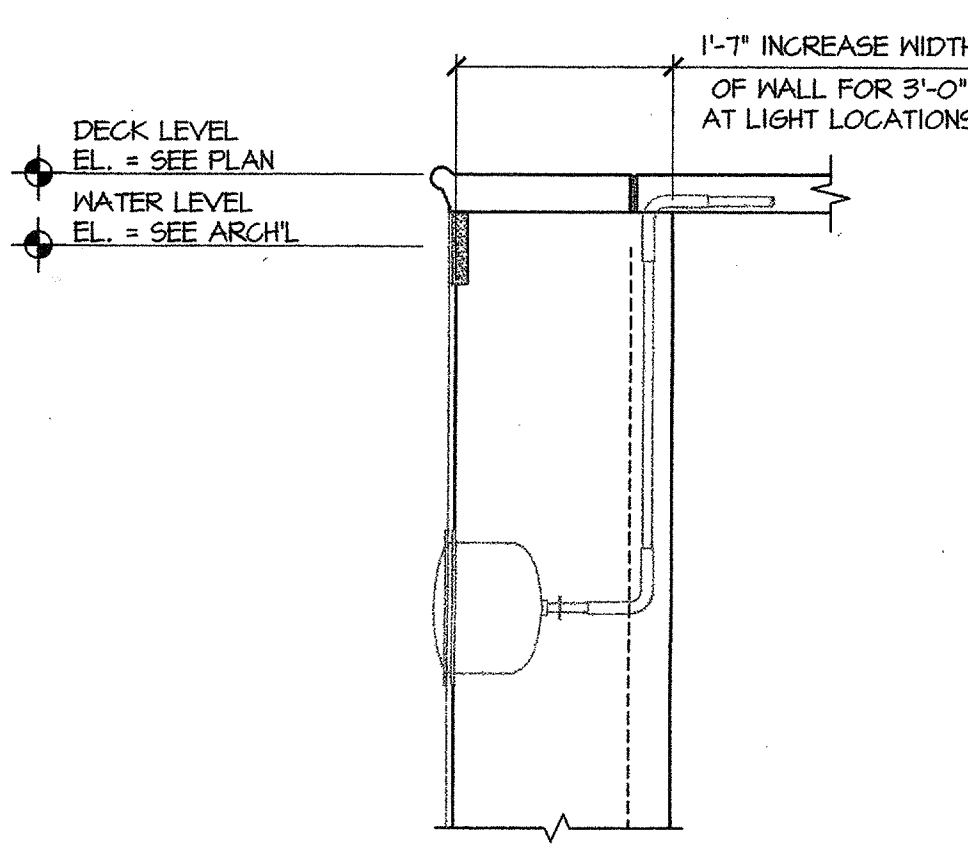
03 TYPICAL DETAIL
S3.02 3/4" = 1'-0"



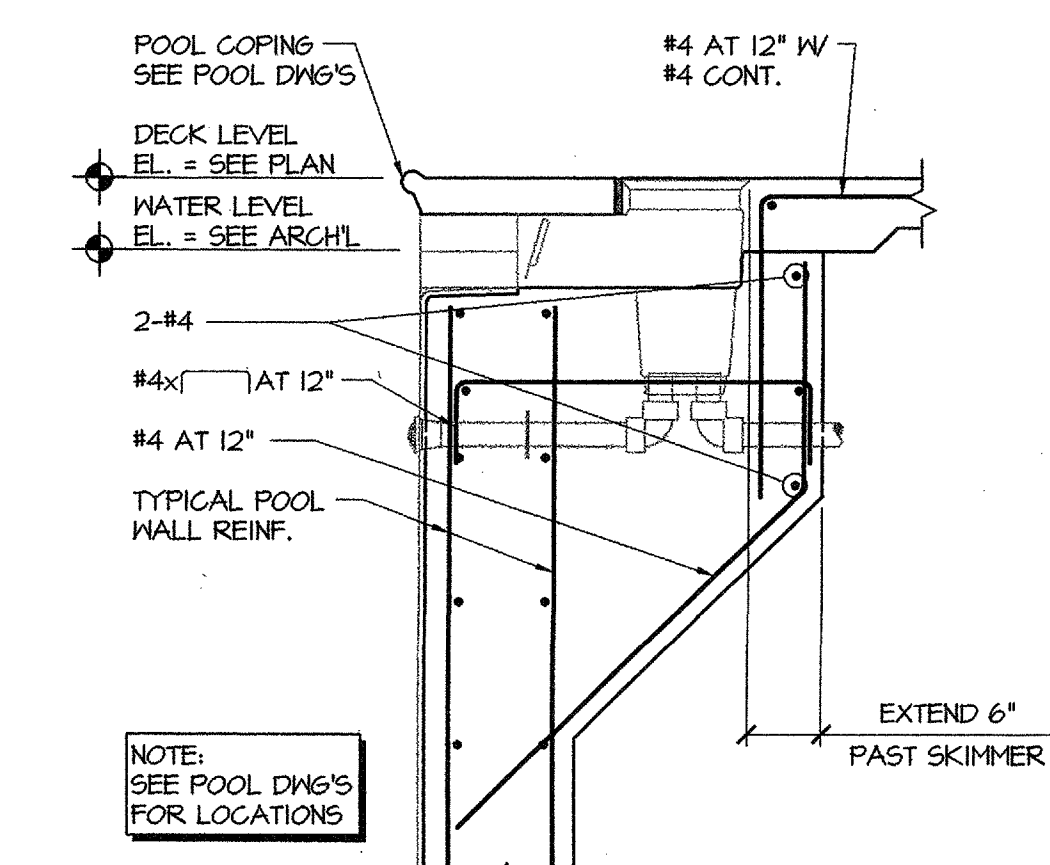
04 TYPICAL DETAIL
S3.02 3/4" = 1'-0"



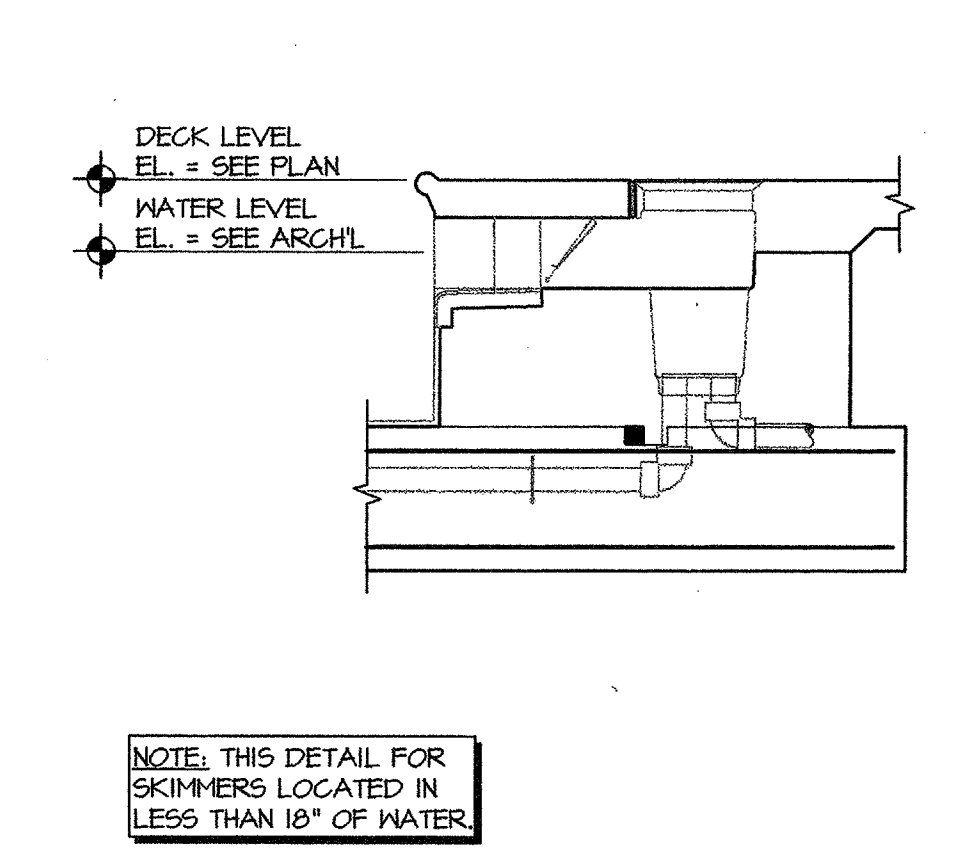
05 TYPICAL DETAIL
S3.02 3/4" = 1'-0"



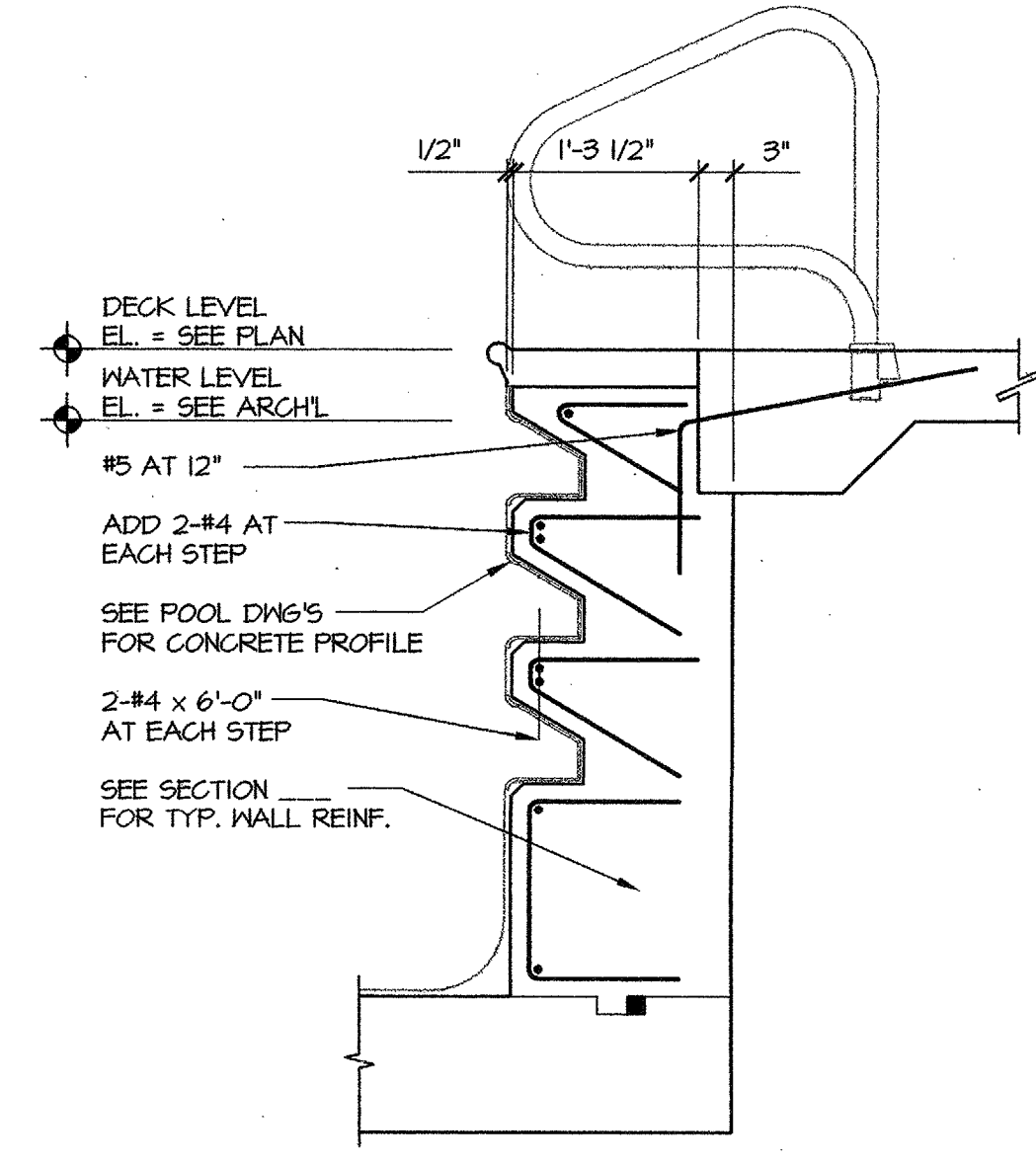
06 TYPICAL DETAIL
S3.02 3/4" = 1'-0"



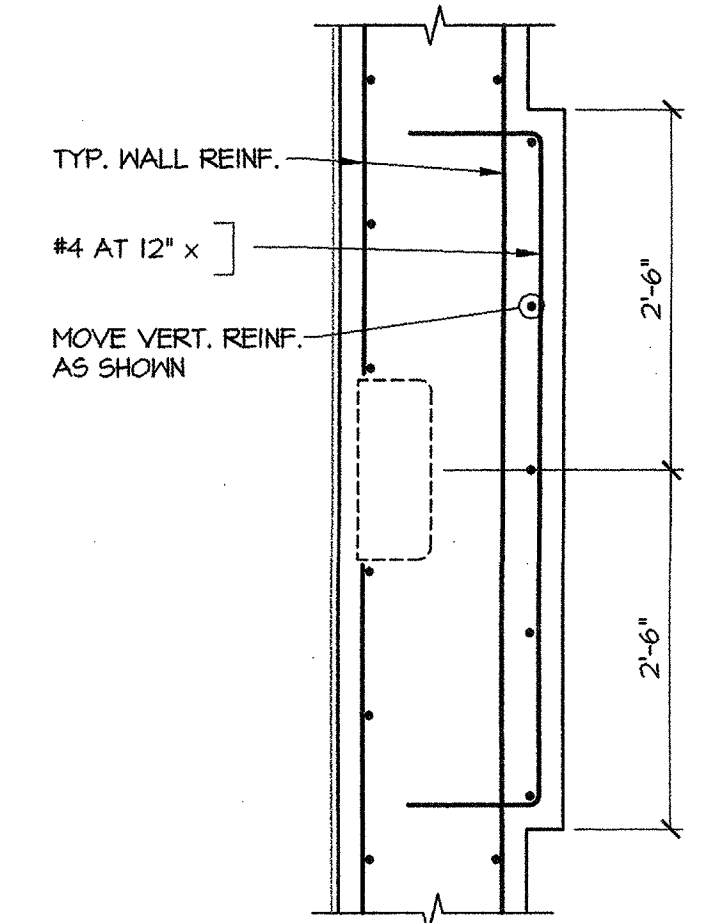
07 TYPICAL DETAIL
S3.02 3/4" = 1'-0"



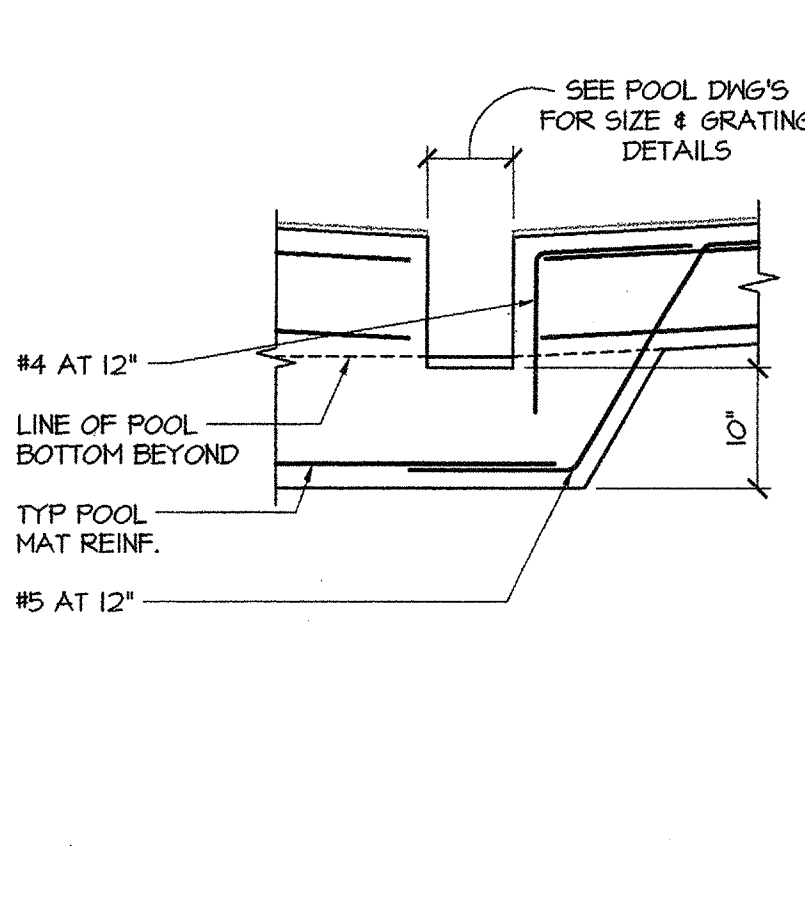
08 TYPICAL DETAIL
S3.02 3/4" = 1'-0"



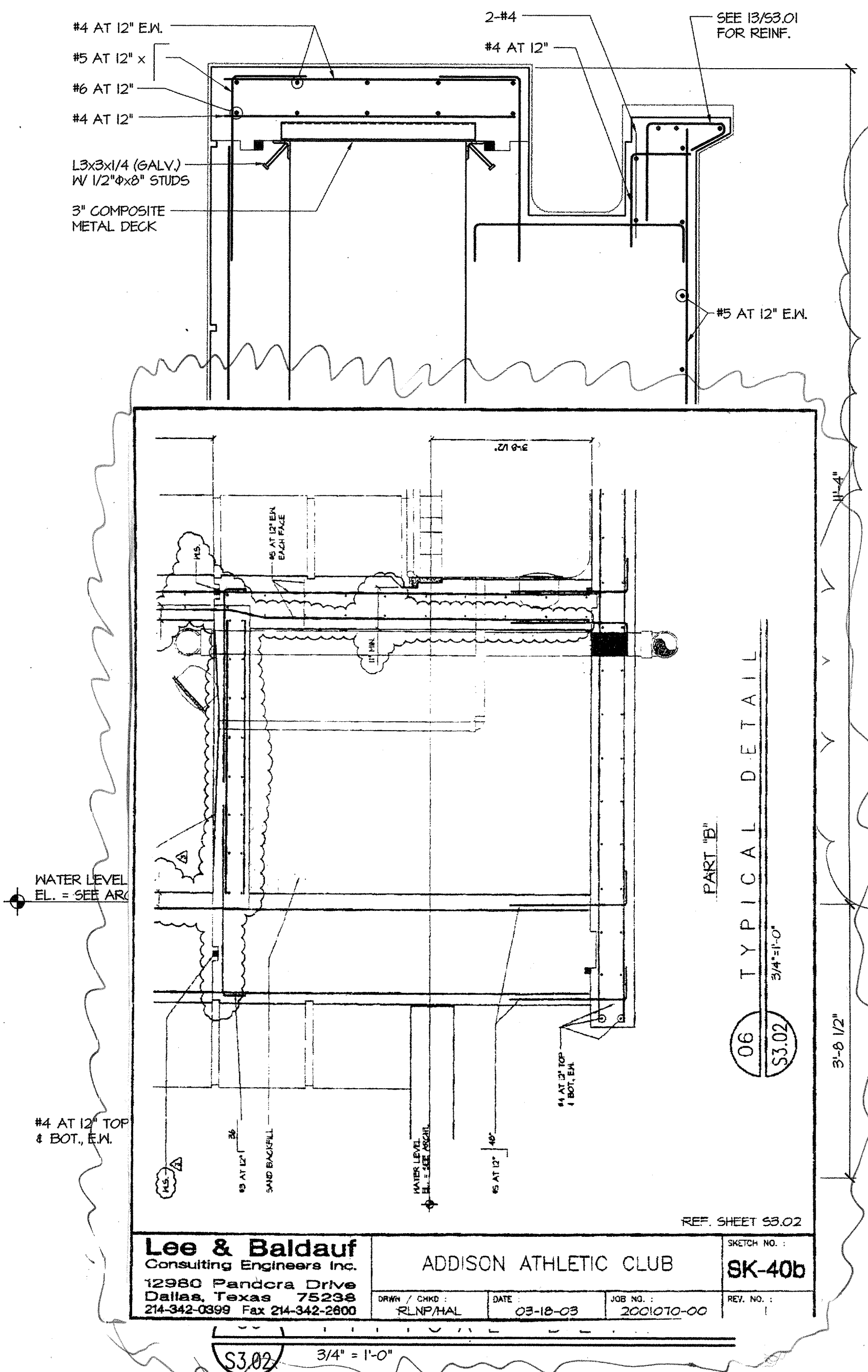
09 TYPICAL DETAIL
S3.02 3/4" = 1'-0"



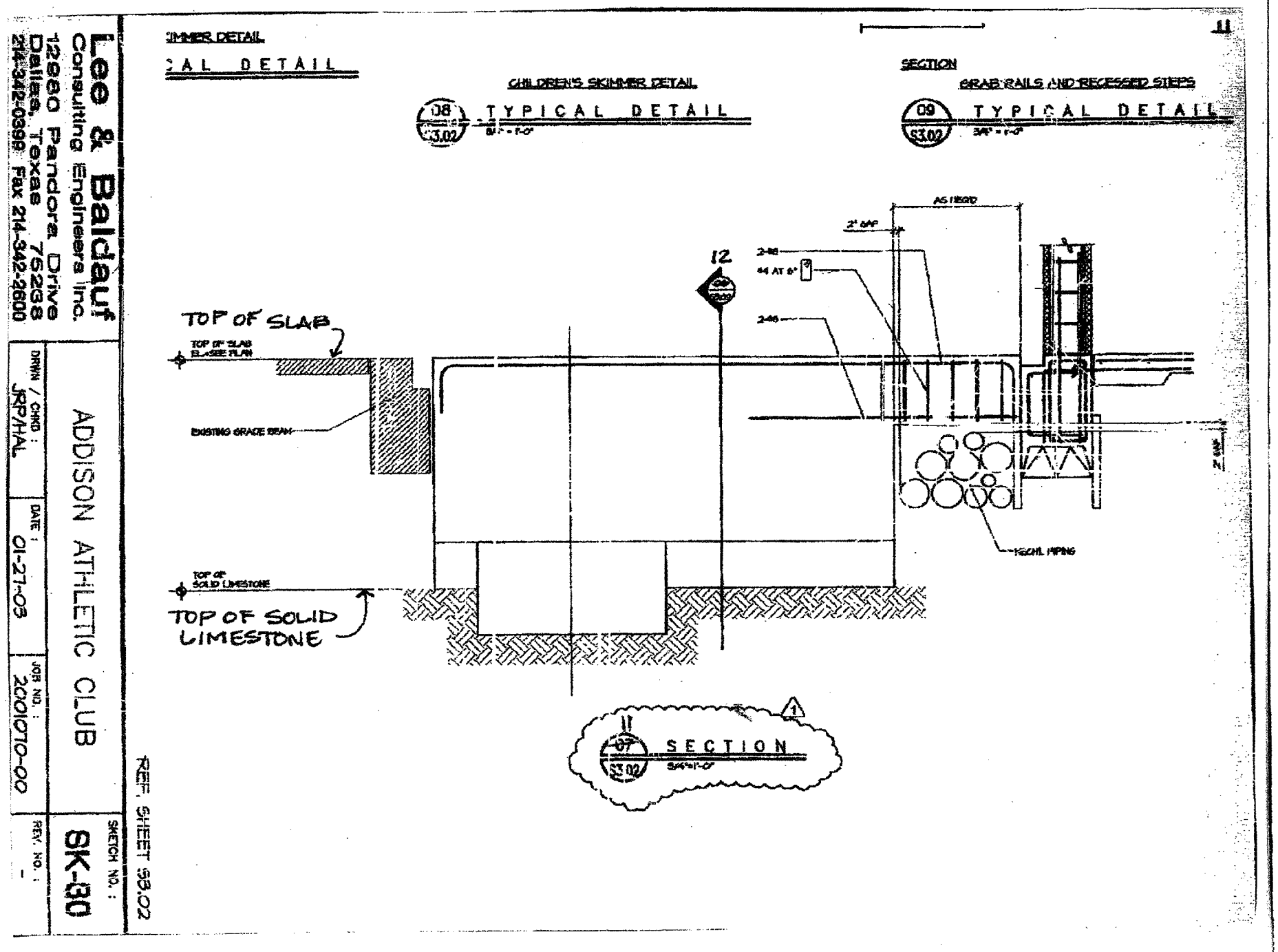
PLAN "C"



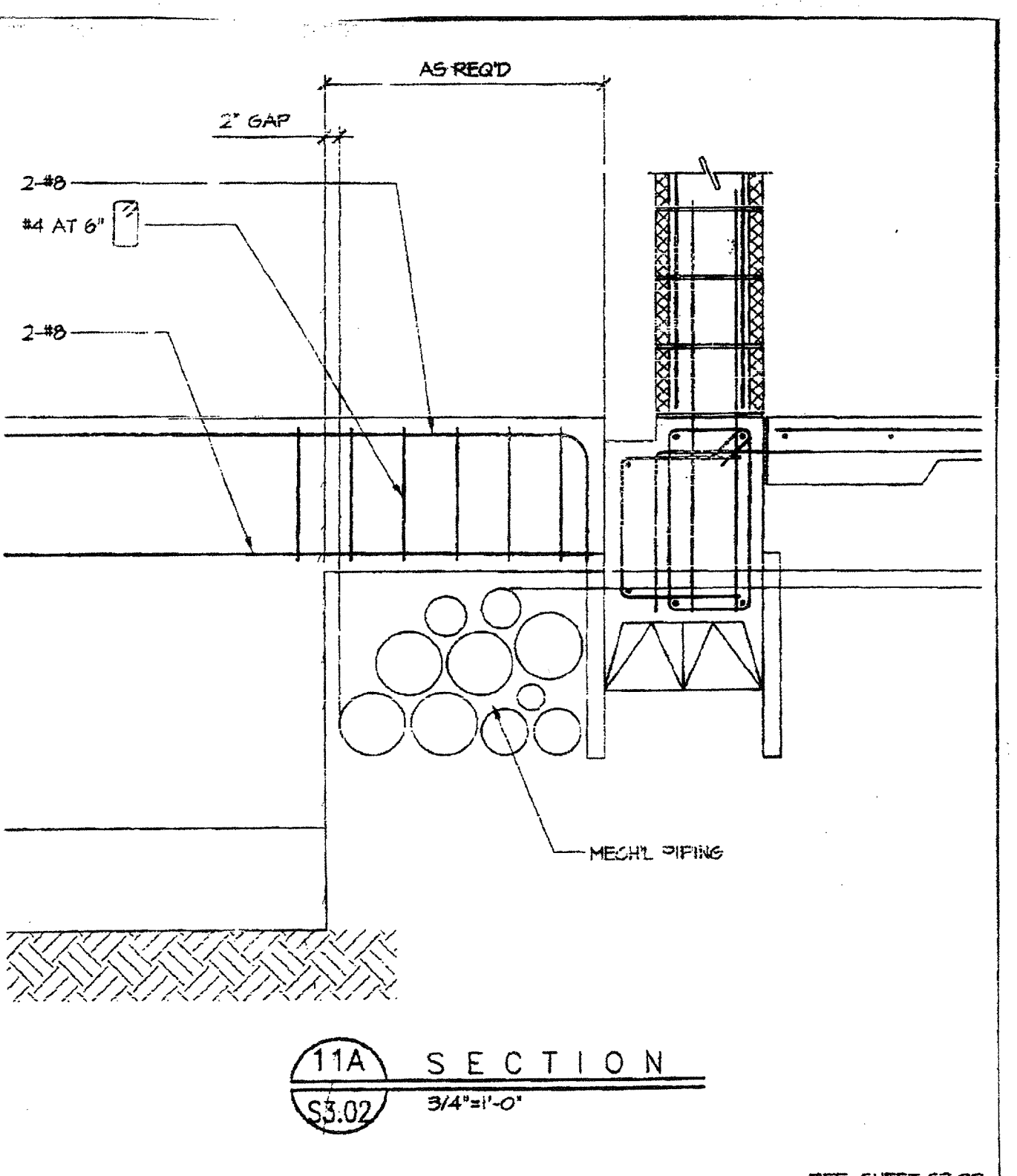
10 TYPICAL DETAIL
S3.02 3/4" = 1'-0"



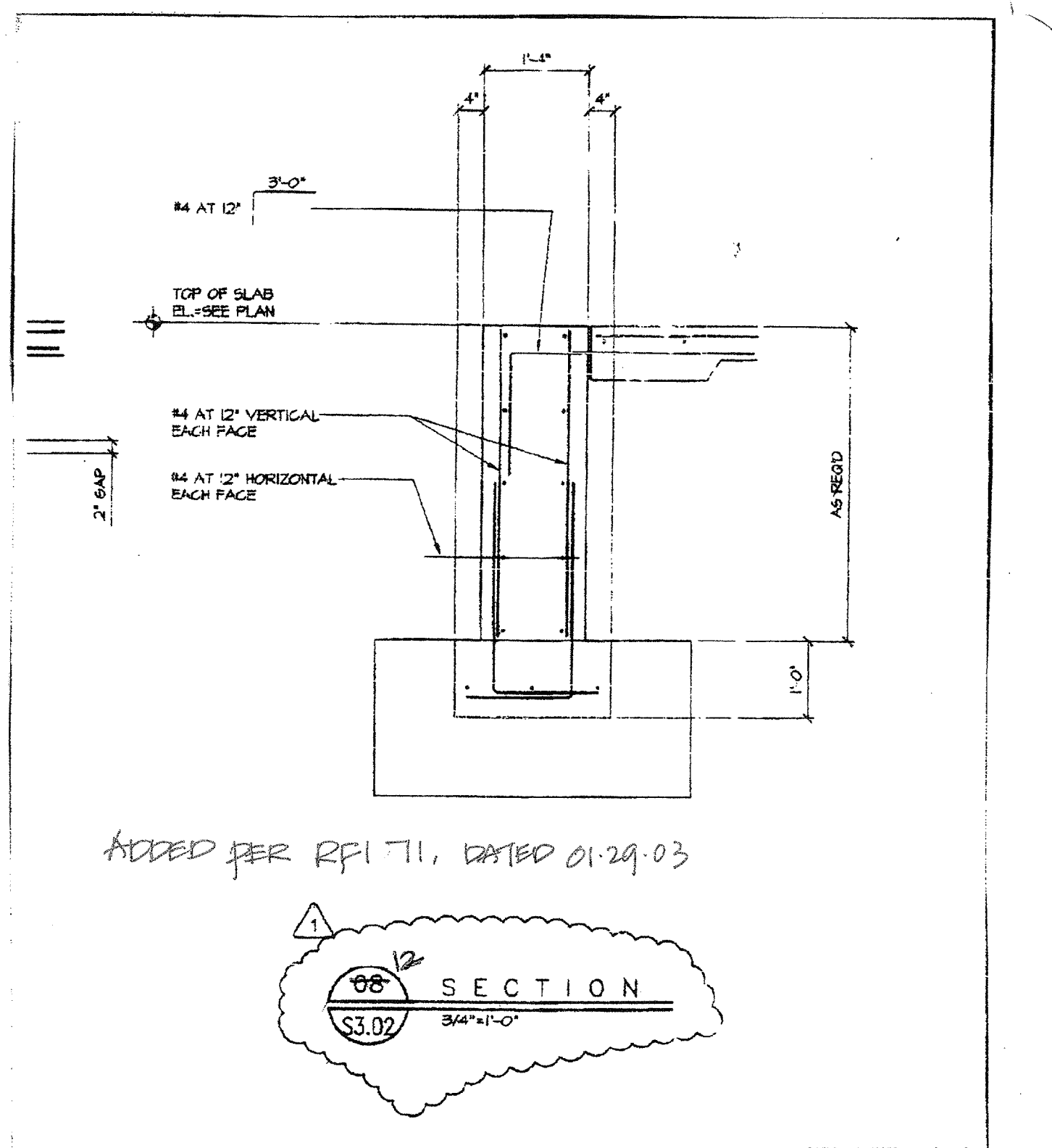
06 TYPICAL DETAIL
S3.02 3/4" = 1'-0"



11A SECTION
S3.02 3/4" = 1'-0"



11B SECTION
S3.02 3/4" = 1'-0"



11C SECTION
S3.02 3/4" = 1'-0"

Lee & Baldauf Consulting Engineers Inc. ADDISON ATHLETIC CLUB SK-30

DATE	01-28-03	JOB NO.	2001010-00
DRWN / CHG	JRP/NAJ	DATE	01-28-03

Lee & Baldauf Consulting Engineers Inc. ADDISON ATHLETIC CLUB SK-30A

DATE	01-28-03	JOB NO.	2001010-00
DRWN / CHG	JRP/NAJ	DATE	01-28-03

Lee & Baldauf Consulting Engineers Inc. ADDISON ATHLETIC CLUB SK-31

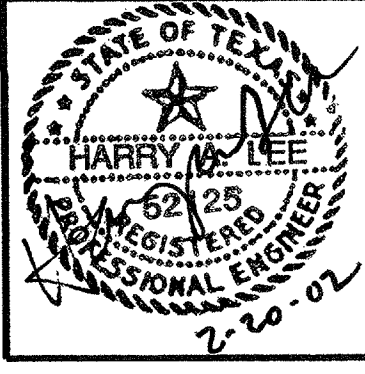
DATE	01-21-03	JOB NO.	2001010-00
DRWN / CHG	JRP/NAJ	DATE	01-21-03

ISSUE DATE
FEBRUARY 20, 2002
REVISIONS

ADDISON ATHLETIC CLUB EXPANSION
AND
LEISURE POOL
ADDISON, TEXAS

RON HOBBS ARCHITECTS
614 W. MAIN ST. SUITE #200 GARLAND, TEXAS 75040
(972) 494-0174

Lee & Baldauf Consulting Engineers Inc.
12980 Pandora Drive
Dallas, Texas 75238
214-342-0389 Fax 214-342-2800



JOB NUMBER
0012
JOB NAME
ADDISON ATHLETIC CLUB EXPANSION & LEISURE POOL

SHEET DESCRIPTION
TYPICAL POOL SECTIONS & DETAILS
SHEET NUMBER
S3.02

2001010-00 02-20-02