

LOOSE ANGLE LINTELS FOR BRICK MASONRY

CLEAR SPAN	EXTERIOR ANGLES FOR 4" BRICK	WALL THK.	INTERIOR ANGLES W/O FLOOR LOAD
4'-0" OR LESS	L3 1/2 x 3 1/2 x 5/16	8"	L3 1/2 x 3 1/2 x 5/16
5'-0"	L3 1/2 x 3 1/2 x 5/16	12"	L3 1/2 x 3 1/2 x 5/16
6'-0"	L4 x 3 1/2 x 5/16	8"	L4 x 3 1/2 x 5/16
7'-0"	L4 x 3 1/2 x 5/16	12"	L4 x 3 1/2 x 5/16
8'-0"	L5 x 3 1/2 x 5/16	8"	L5 x 3 1/2 x 5/16
9'-0"	L5 x 3 1/2 x 5/16	12"	L5 x 3 1/2 x 5/16
10'-0"	L6 x 3 1/2 x 5/16	8"	L6 x 3 1/2 x 5/16
		12"	L6 x 3 1/2 x 5/16

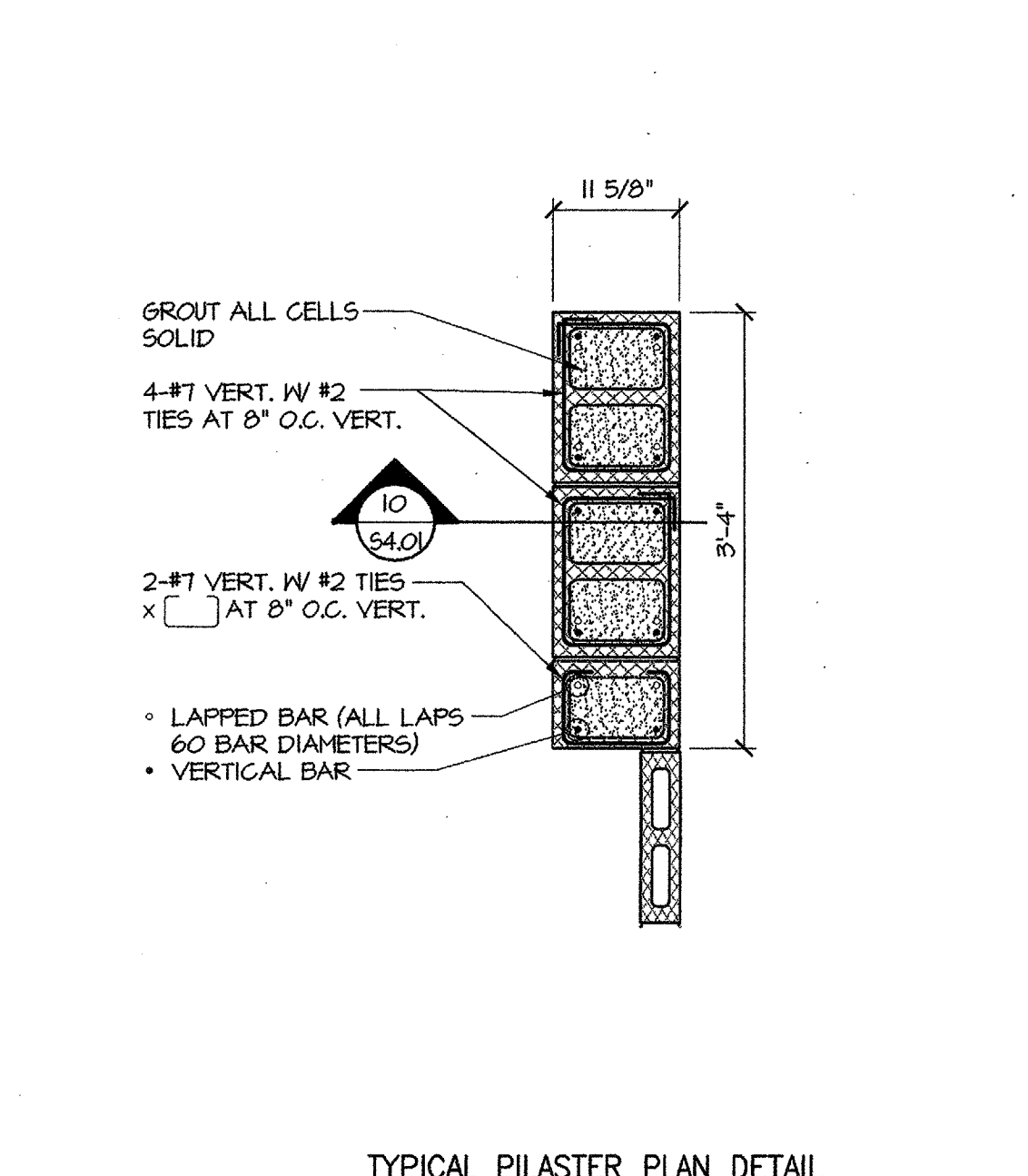
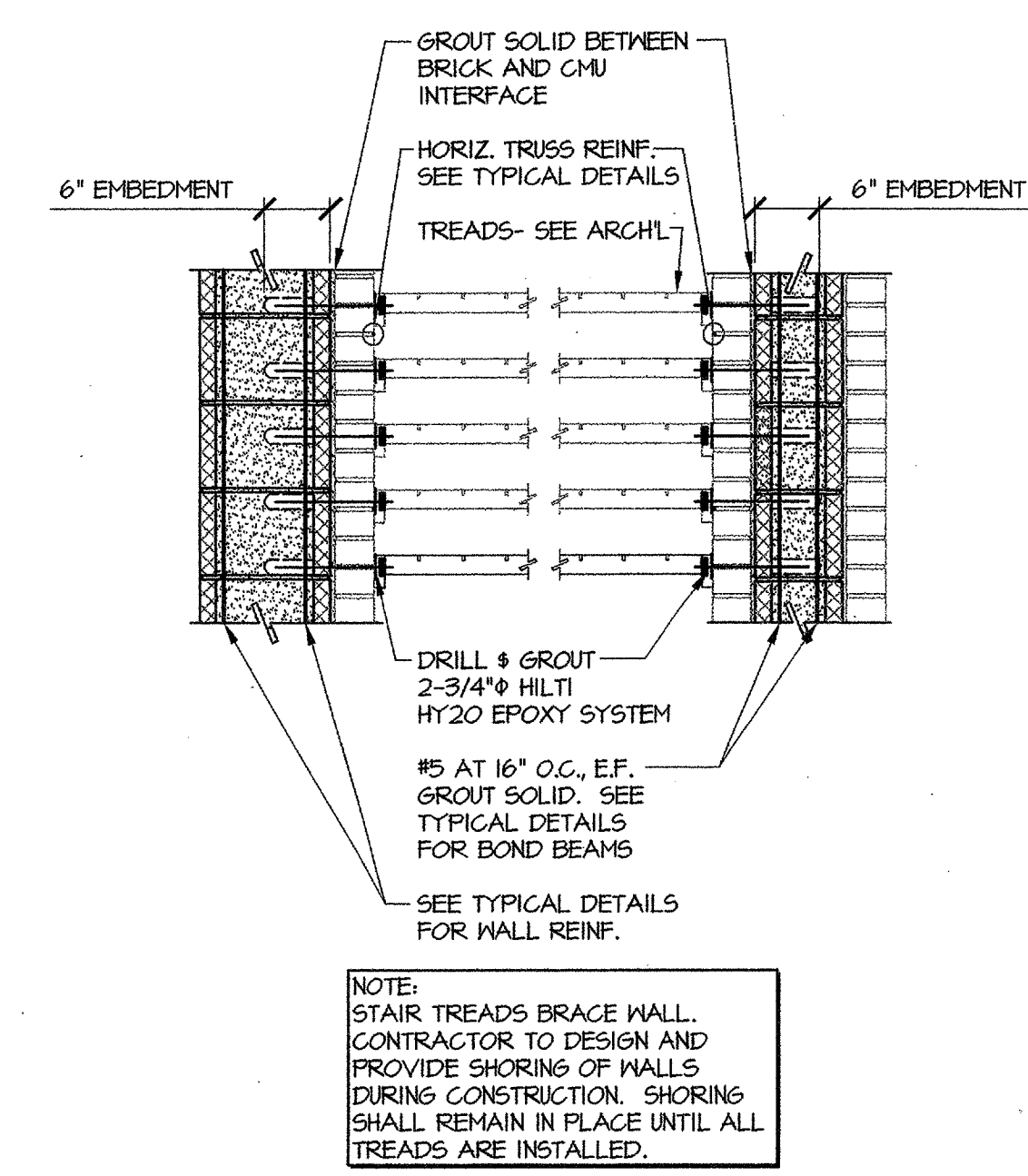
CONCRETE MASONRY LINTEL SCHEDULE

"N" (CLEAR SPAN)	CMU LINTEL UNIT	REINFORCING	DETAIL
2'-0" TO 4'-0"	N"x8"x16"	2-#4	10/55.01
4'-0" TO 6'-0"	N"x8"x16"	2-#5	10/55.01
6'-0" TO 8'-0"	N"x16"x16"	2-#5 WITH #3 STIRRUPS AT 6 1/2' O.C.	11/55.01
8'-0" TO 10'-0"	N"x16"x16"	2-#6 WITH #3 STIRRUPS AT 6 1/2' O.C.	11/55.01

"N" = NOMINAL

STEEL LINTEL SCHEDULE

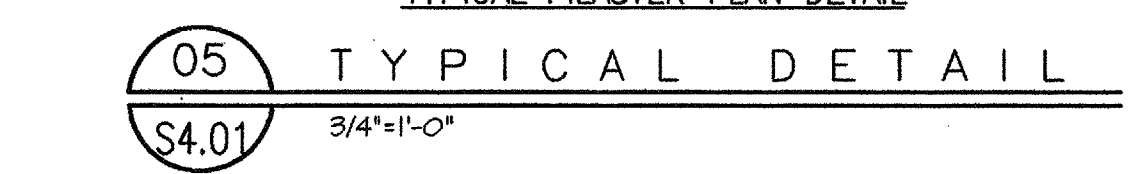
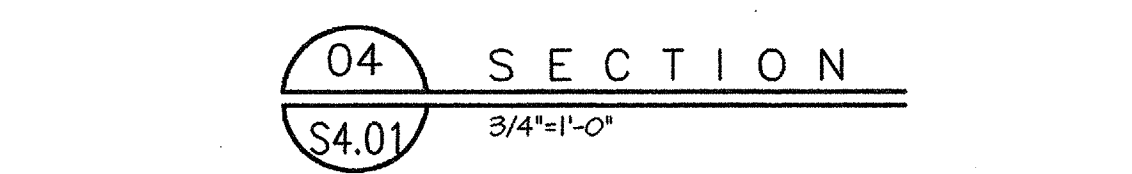
DETAIL	SIZE	DETAIL	MINIMUM BEARING LENGTH
LESS THAN 4'-0"	2-L3 1/2"x2 1/2"x1/4"		8"
4'-0" TO 6'-0"	2-4"x3 1/2"x1/4"		8"
6'-0" TO 6'-8"	2-4"x3 1/2"x5/16"		8"
8'-0"	2-4"x3 1/2"x5/16"		8"
8'-6"	2-4"x3 1/2"x3/8"		8"
10'-0" TO 12'-0"	N"x10" WITH FL3/8"x1"		8"



- NOTES:
1. 8" MIN. BEARING REQUIRED FOR ALL LINTELS ABOVE.
 2. INTERIOR AND EXTERIOR ANGLES IN 8" WALLS AND INTERIOR AND EXTERIOR ANGLES IN 12" WALLS ARE BOLTED TOGETHER WHEN CLEAR SPAN OPENING IS OVER 6'-0".
 3. IN THE CASE OF BRICK VENEER WALLS W/ BLOCK BACK UP, BOTH SCHEDULES ARE USED. LINTELS FOR BRICK SHALL BE PICKED FROM THE EXTERIOR ANGLE PORTION OF THE ABOVE SCHEDULE, AND LINTELS FOR THE BLOCK SHALL BE CHOSEN FROM DETAIL 02/55.01.
 4. THE SCHEDULE ABOVE APPLIES ONLY TO NON-LOAD BEARING WALLS.
 5. LONG LEG IS VERTICAL IN ALL CASES UNLESS OTHERWISE DETAILED.

- NOTES:
1. PROVIDE LINTEL AT ALL CONCRETE MASONRY OPENING UNLESS STEEL LINTELS ARE PROVIDED PER DETAIL 03/55.01.
 2. REFERENCE ARCHITECTURAL AND MECHANICAL FOR SIZE AND LOCATIONS OF OPENINGS. NOT ALL CMU OPENINGS/PENETRATIONS ARE INDICATED OR SHOWN, AND IT IS THE RESPONSIBILITY OF THE CONTRACTOR TO COORDINATE, VERIFY AND PROPERLY SIZE ALL CMU WALL OPENINGS REQUIRED FOR DOORS, WINDOWS, LOUVERS, DUCTWORK, PIPING, FANS, ETC.
 3. ALL MASONRY OPENINGS ARE TO BE SHORED UNTIL THE MASONRY HAS CURED SUFFICIENTLY (72 HOURS, MIN).
 4. PRECAST CONCRETE LINTELS MAY BE USED WITH ARCHITECT'S APPROVAL.

- NOTES:
1. PROVIDE (1) ANGLE FOR BRICK VENEER LINTEL OF APPROXIMATE SIZE WITH ASSOCIATED SPAN.
 2. STEEL LINTELS MAY BE OBTAINED AND PROVIDED BY CONTRACTOR IN LIEU OF CMU LINTEL INDICATED IN DETAIL 02/55.01.
 3. ALL MASONRY OPENINGS ARE TO BE SHORED UNTIL THE BEARING SIMILAR TO DETAIL 10/55.01.



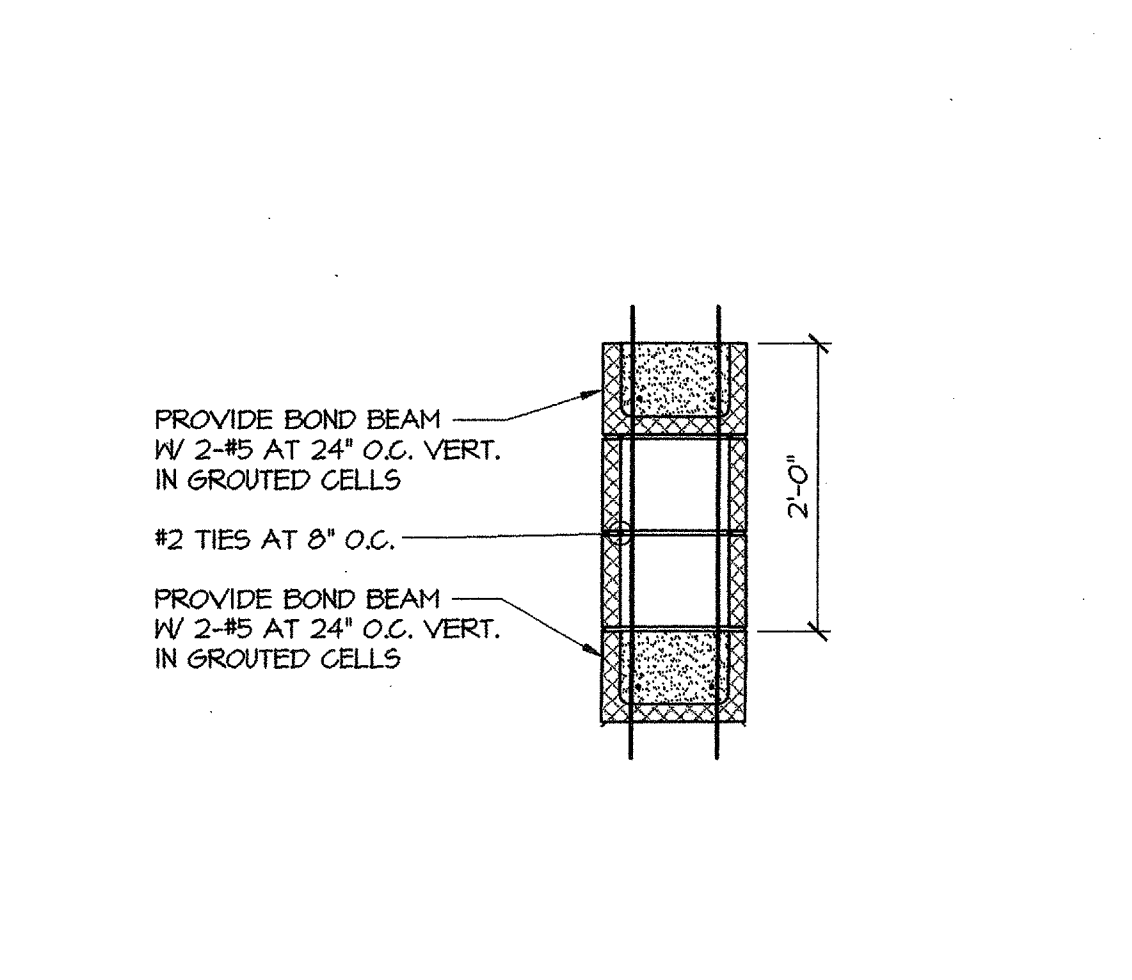
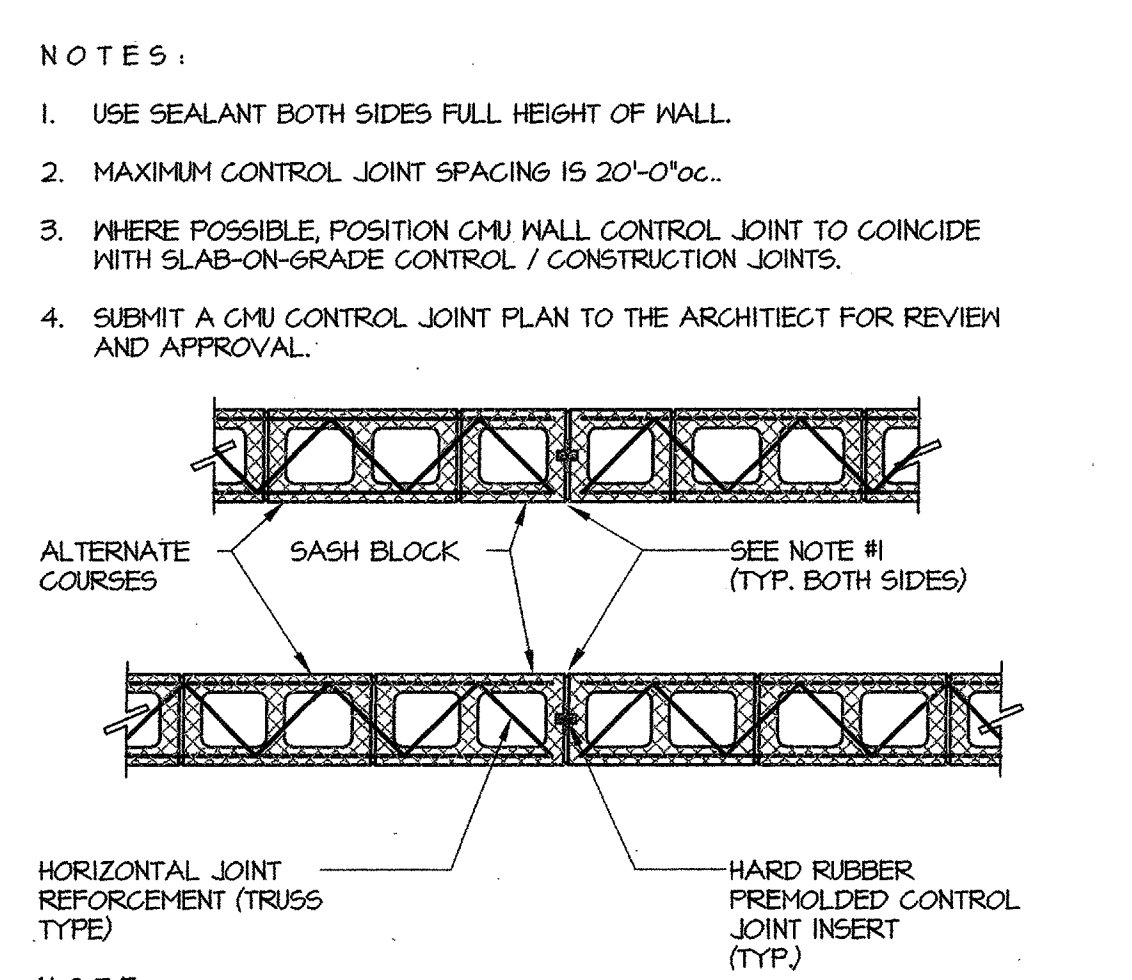
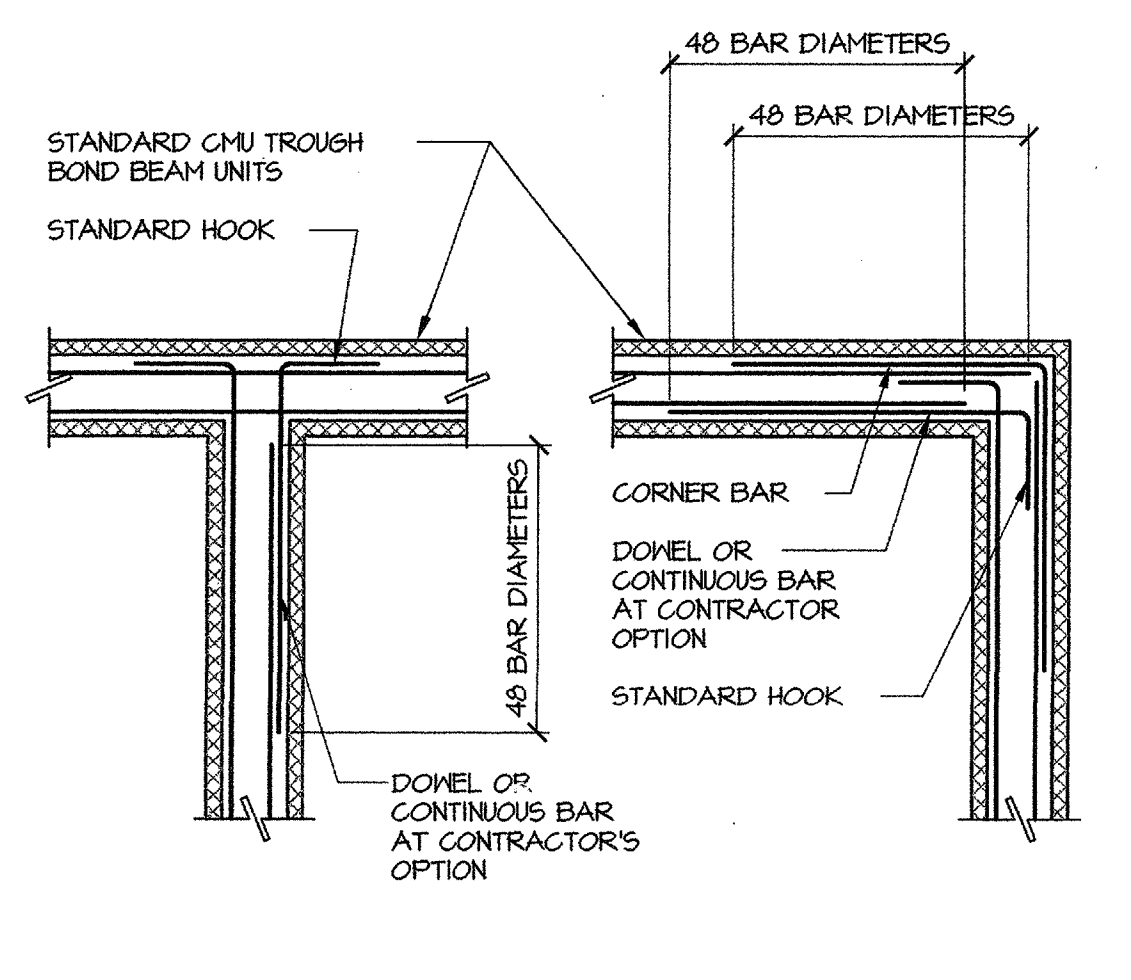
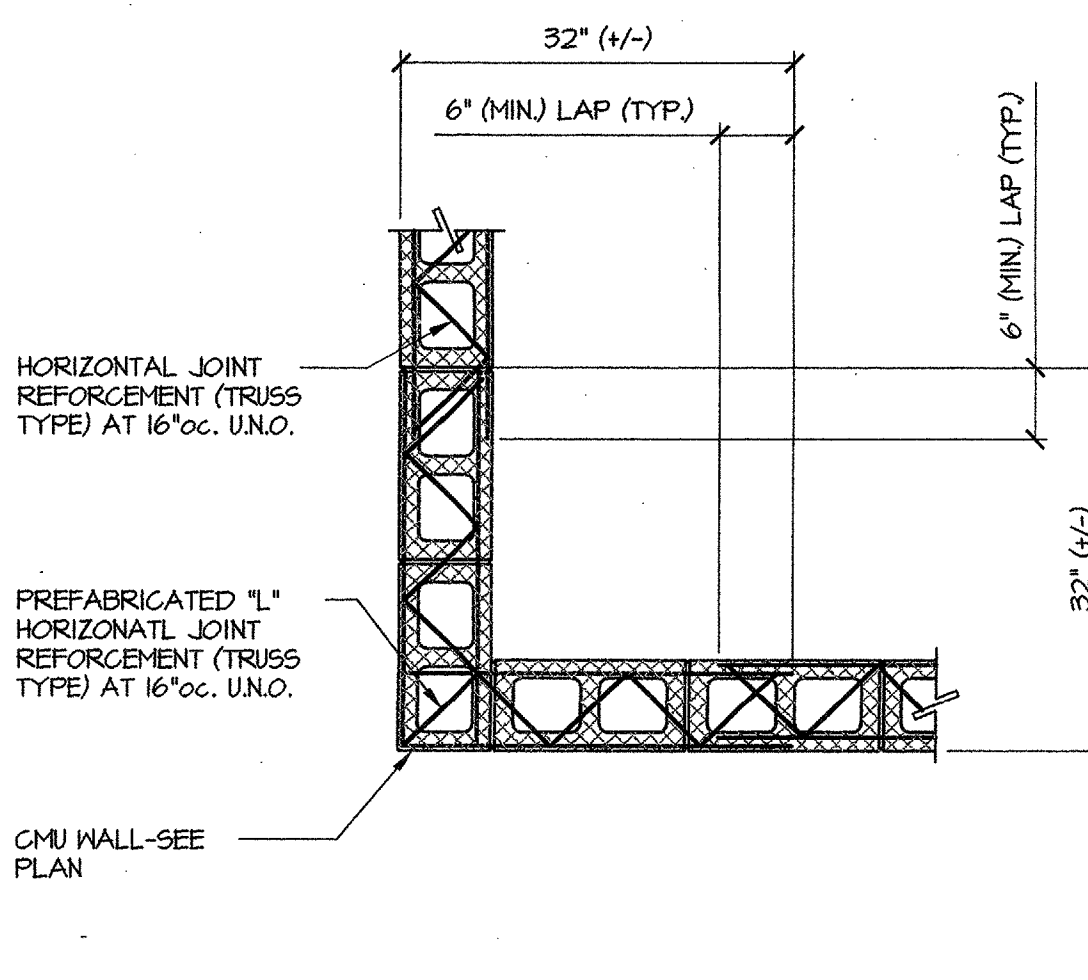
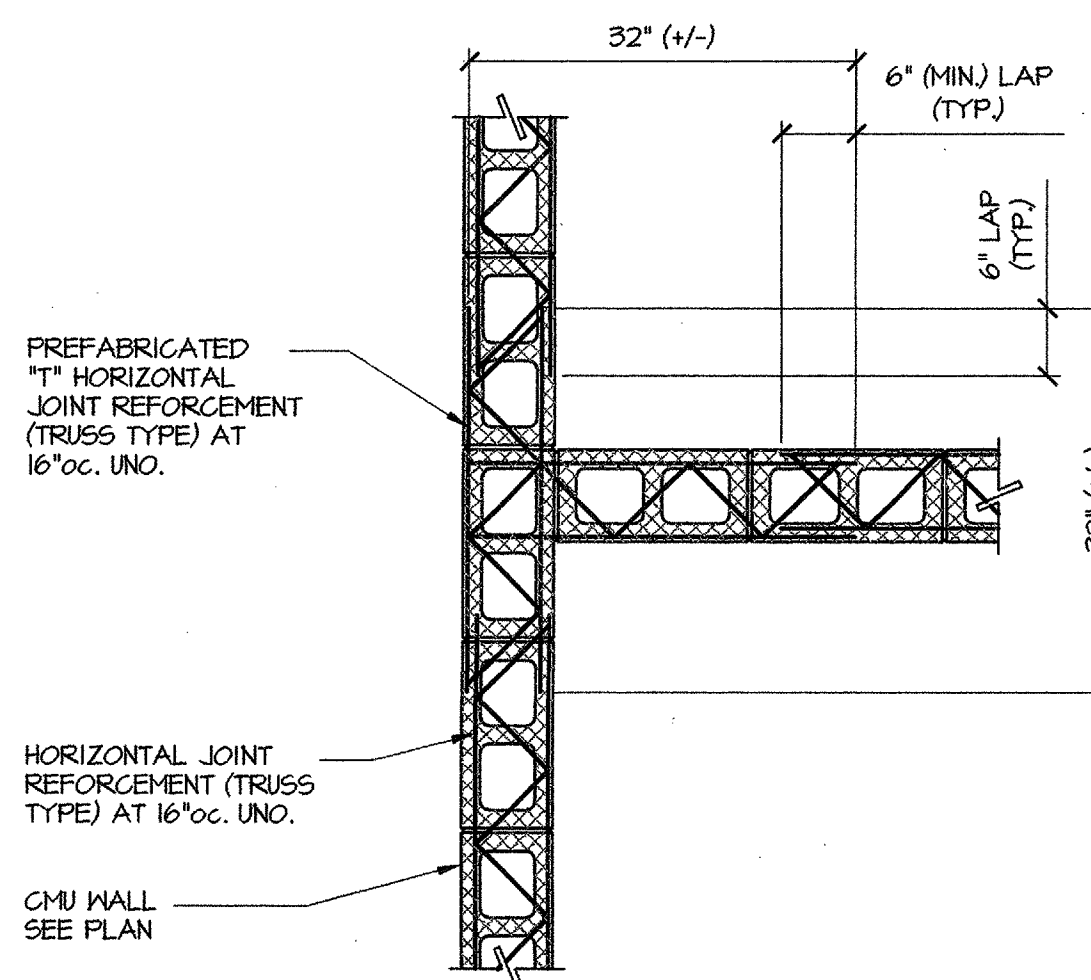
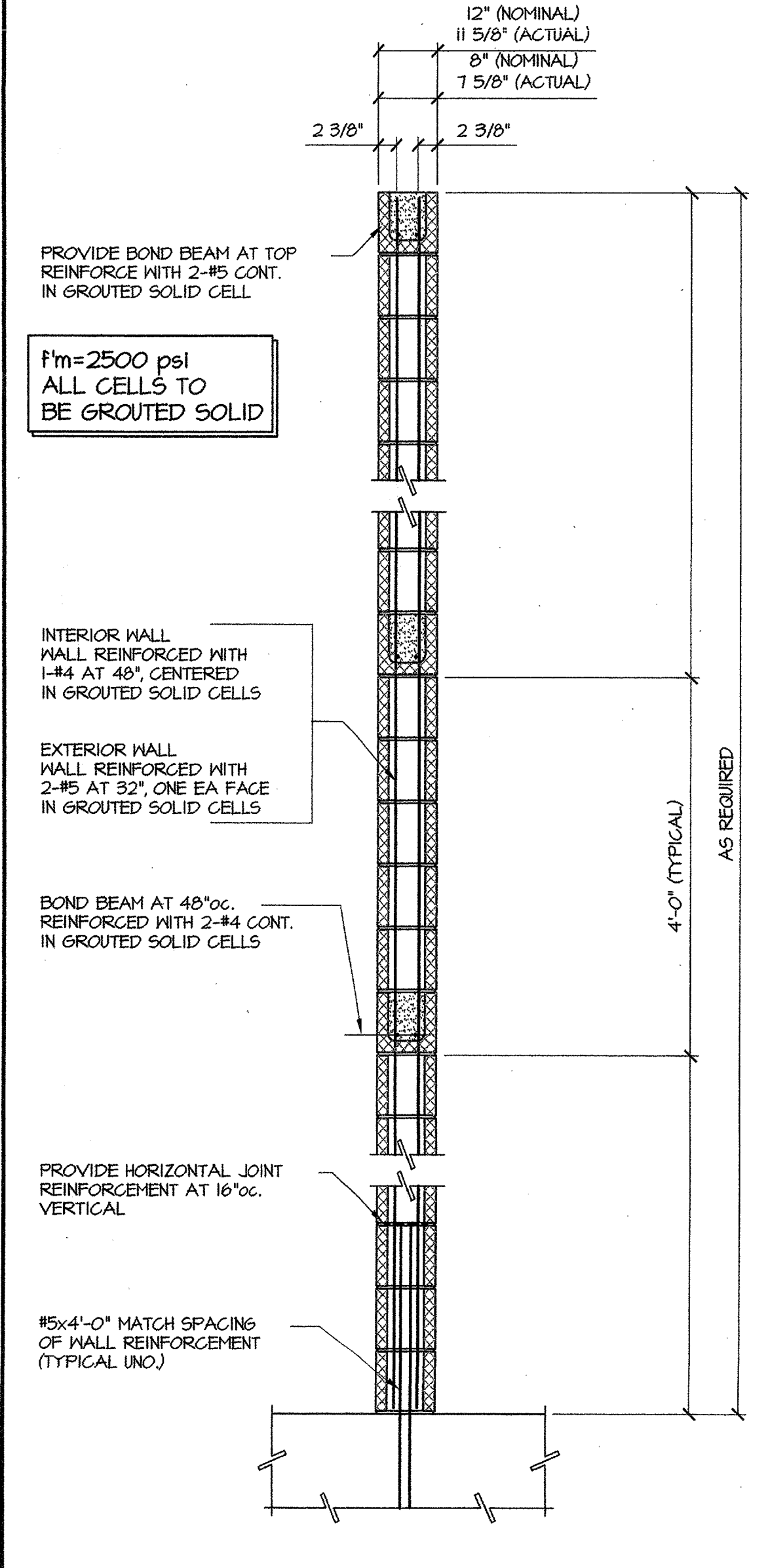
STEEL LINTEL SCHEDULE
01 TYPICAL DETAIL
S4.01 3/4"x1'-0"

CONCRETE MASONRY LINTEL SCHEDULE
02 TYPICAL DETAIL
S4.01 3/4"x1'-0"

STEEL LINTEL SCHEDULE
03 TYPICAL DETAIL
S4.01 3/4"x1'-0"

SECTION
04 SECTION
S4.01 3/4"x1'-0"

TYPICAL PILASTER PLAN DETAIL
05 TYPICAL DETAIL
S4.01 3/4"x1'-0"



CMU JOINT REINFORCEMENT AT INTERSECTING WALL
06 TYPICAL DETAIL
S4.01 3/4"x1'-0"

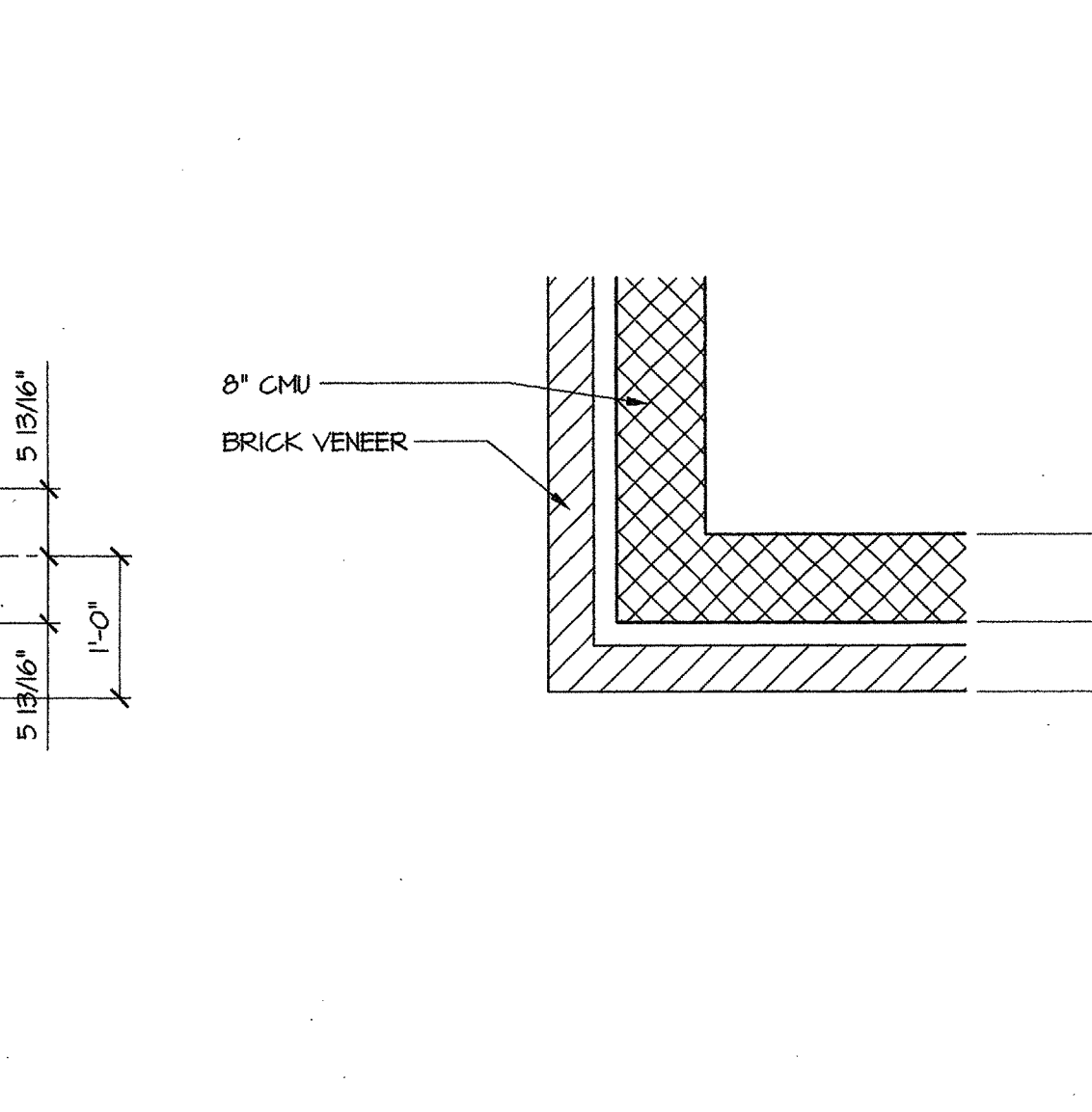
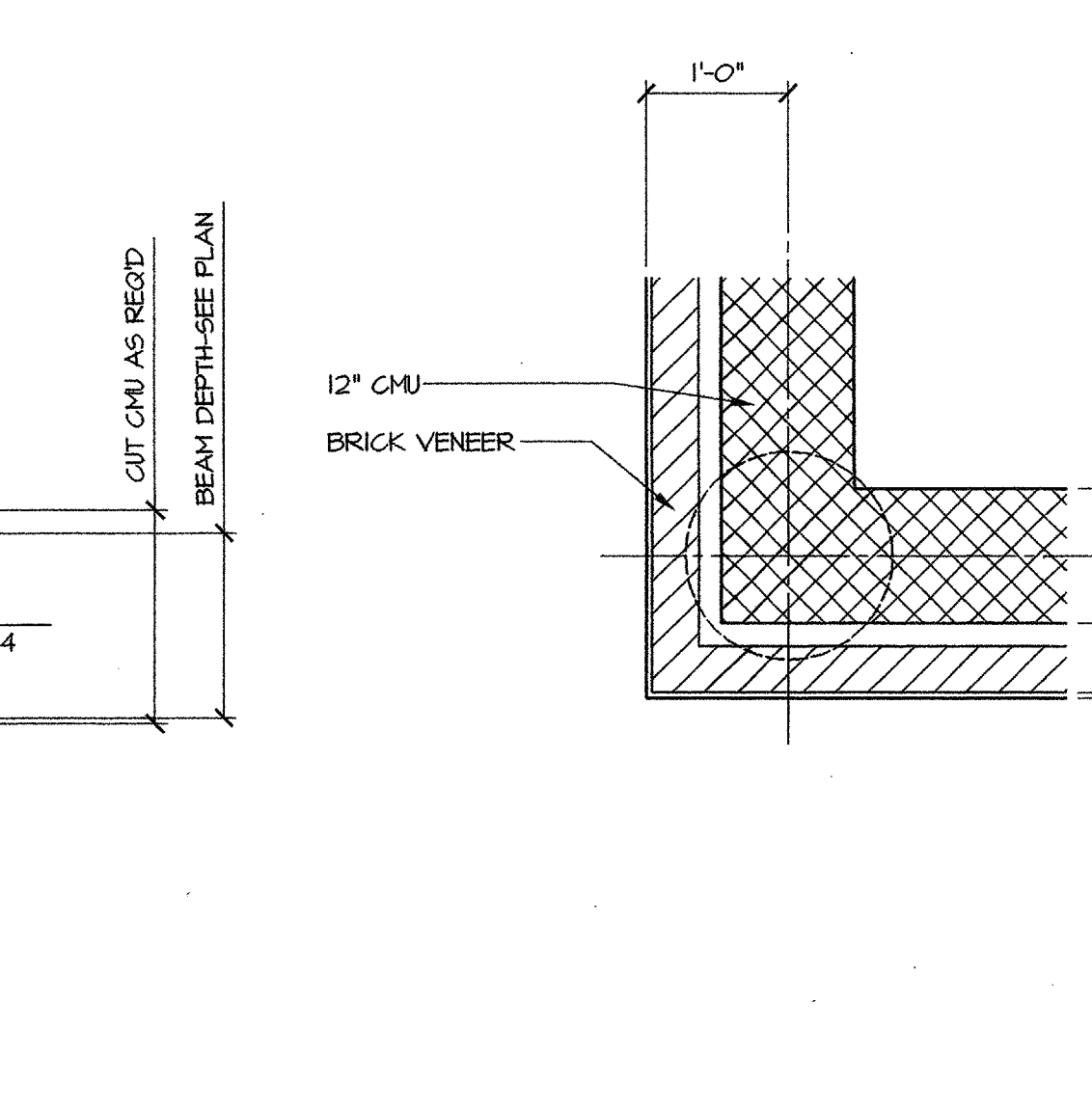
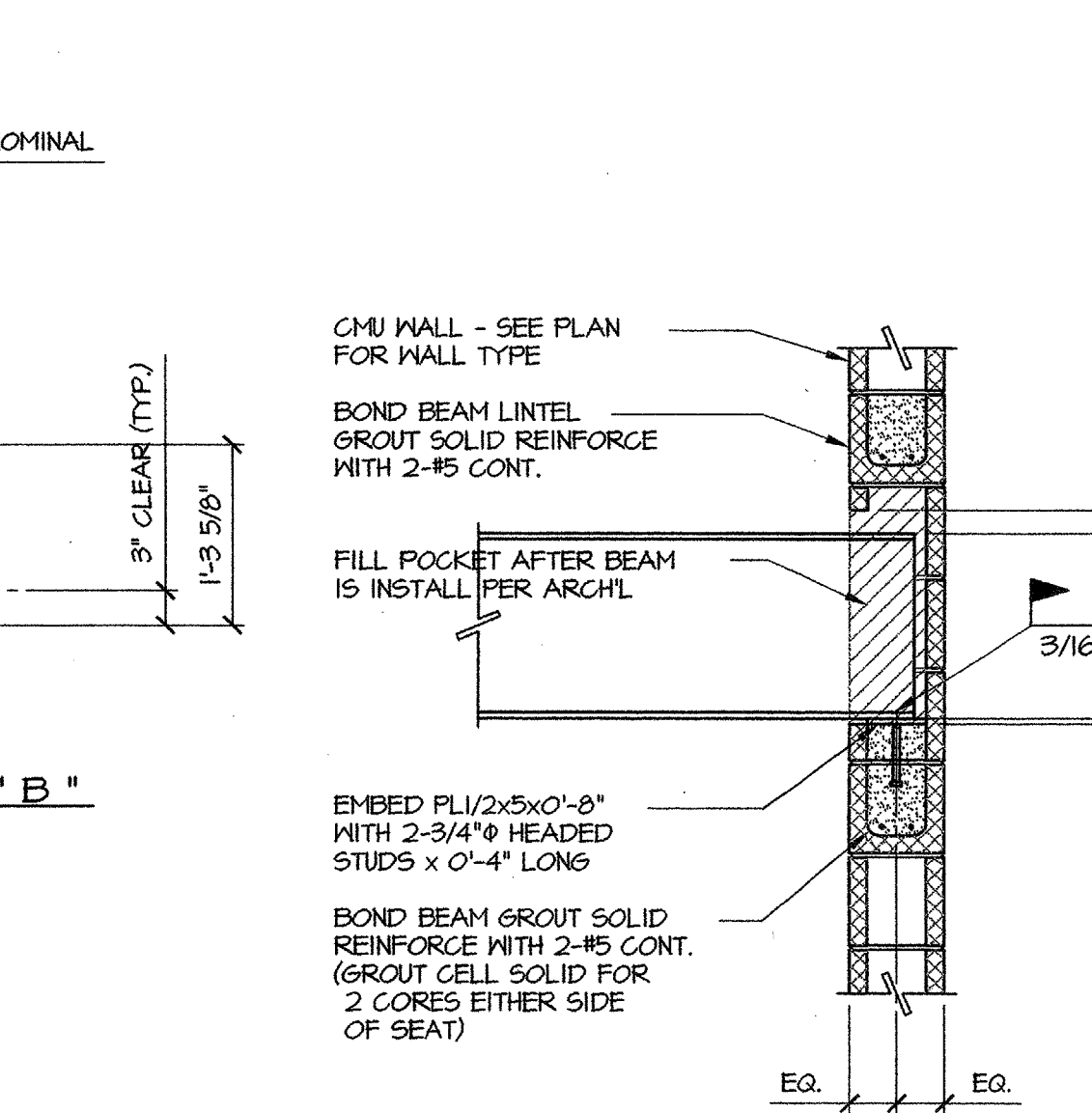
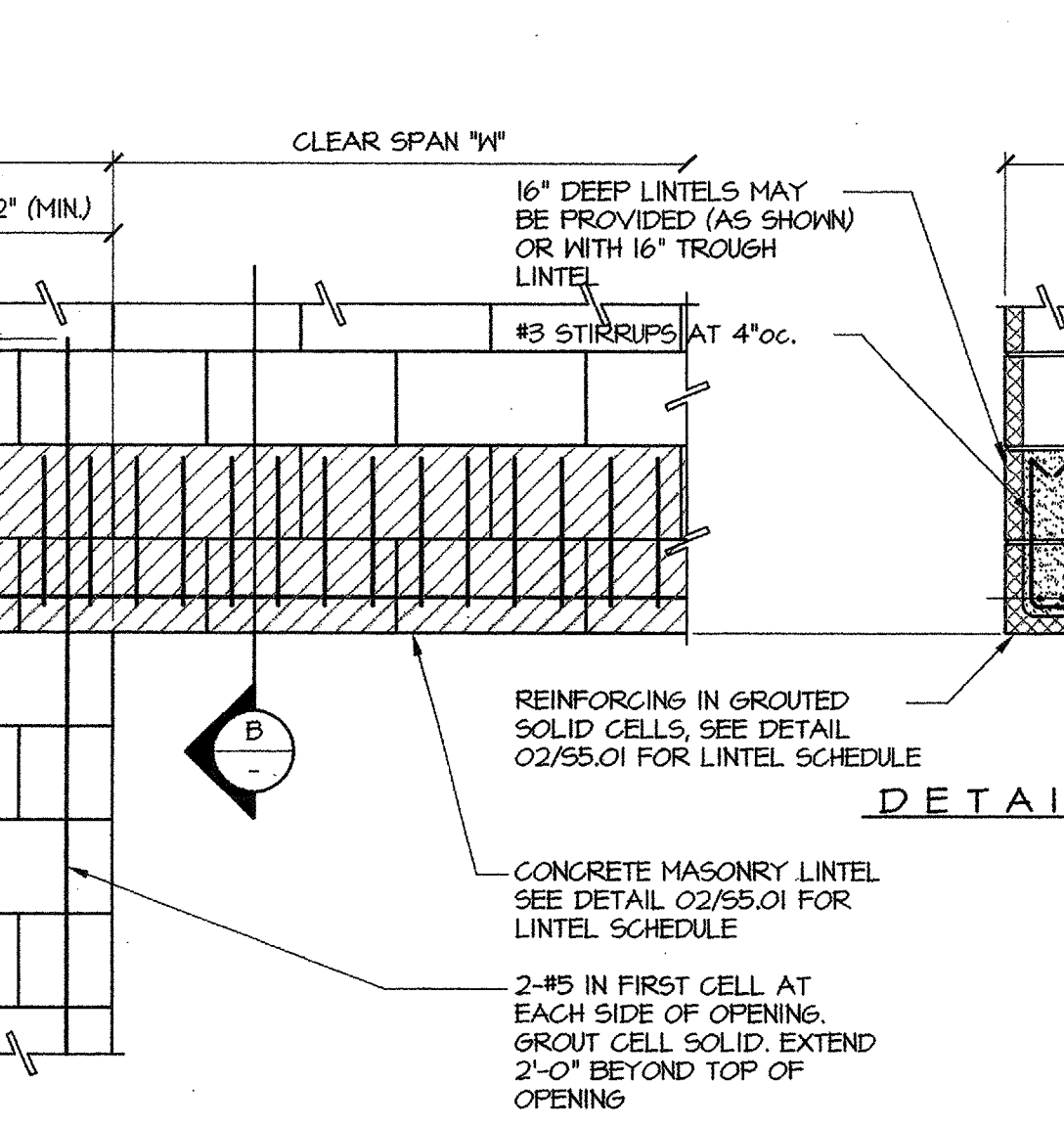
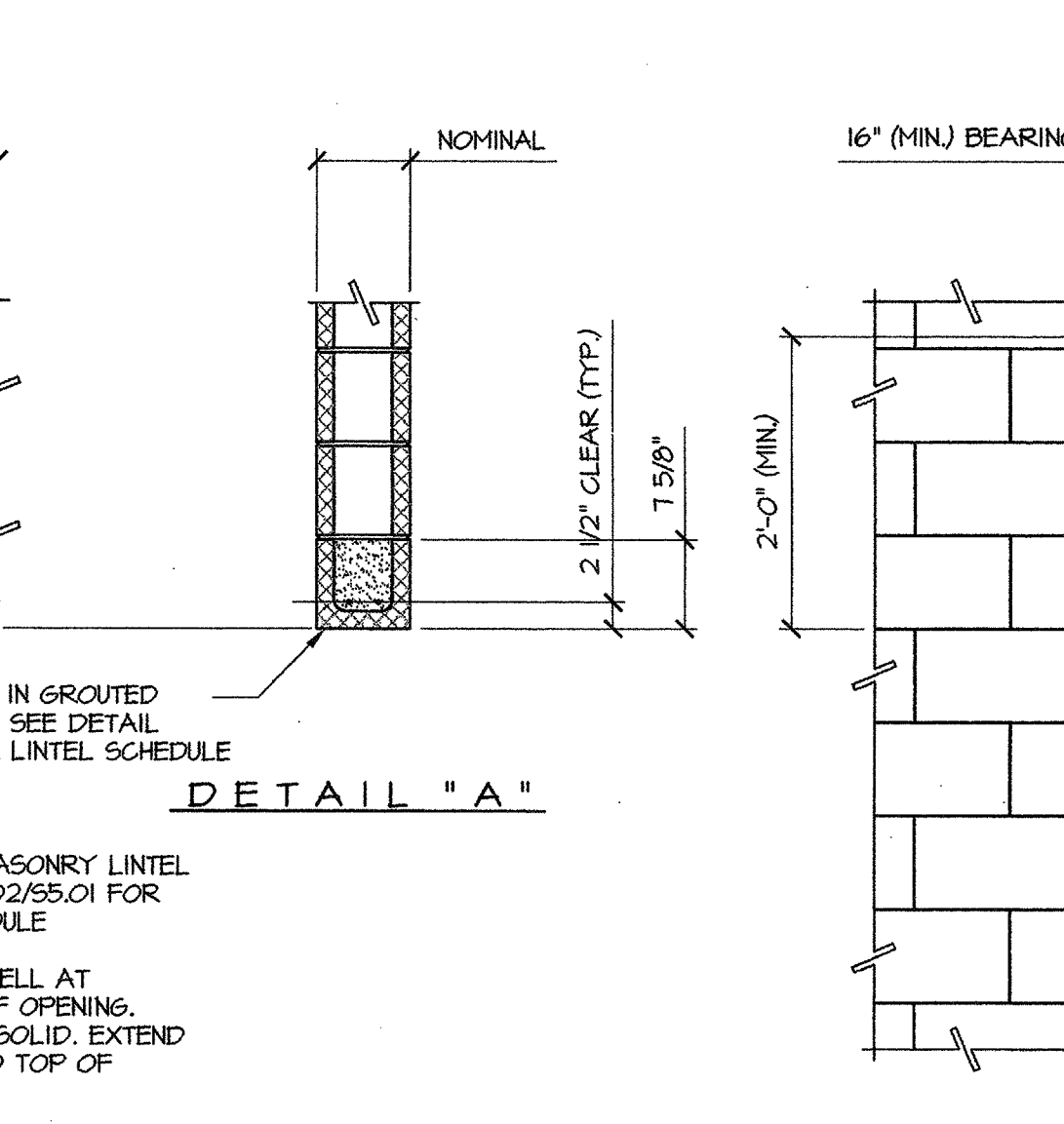
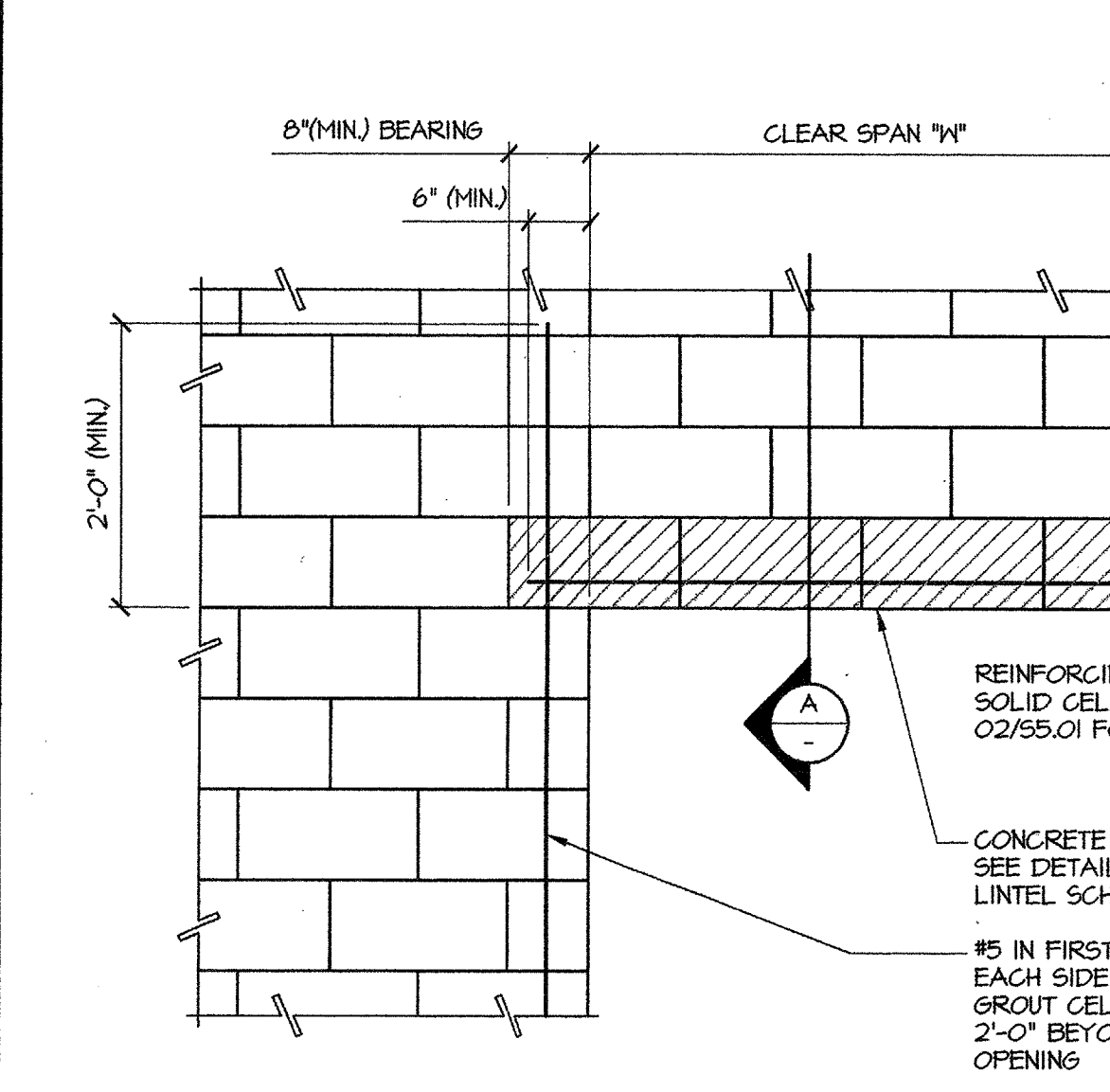
CMU JOINT REINFORCEMENT AT INTERSECTING WALL
07 TYPICAL DETAIL
S4.01 3/4"x1'-0"

BOND BEAM CORNER BAR REINFORCEMENT
08 TYPICAL DETAIL
S4.01 3/4"x1'-0"

CONTROL JOINT IN CMU WALL
09 TYPICAL DETAIL
S4.01 3/4"x1'-0"

TYPICAL PILASTER SECTION
10 TYPICAL DETAIL
S4.01 3/4"x1'-0"

MASONRY WALL REINFORCING
05 TYPICAL DETAIL
S4.01 3/4"x1'-0"



CMU JOINT REINFORCEMENT AT INTERSECTING WALL
06 TYPICAL DETAIL
S4.01 3/4"x1'-0"

CMU JOINT REINFORCEMENT AT INTERSECTING WALL
07 TYPICAL DETAIL
S4.01 3/4"x1'-0"

BOND BEAM CORNER BAR REINFORCEMENT
08 TYPICAL DETAIL
S4.01 3/4"x1'-0"

CONTROL JOINT IN CMU WALL
09 TYPICAL DETAIL
S4.01 3/4"x1'-0"

TYPICAL PILASTER SECTION
10 TYPICAL DETAIL
S4.01 3/4"x1'-0"

MASONRY WALL REINFORCING
05 TYPICAL DETAIL
S4.01 3/4"x1'-0"

