

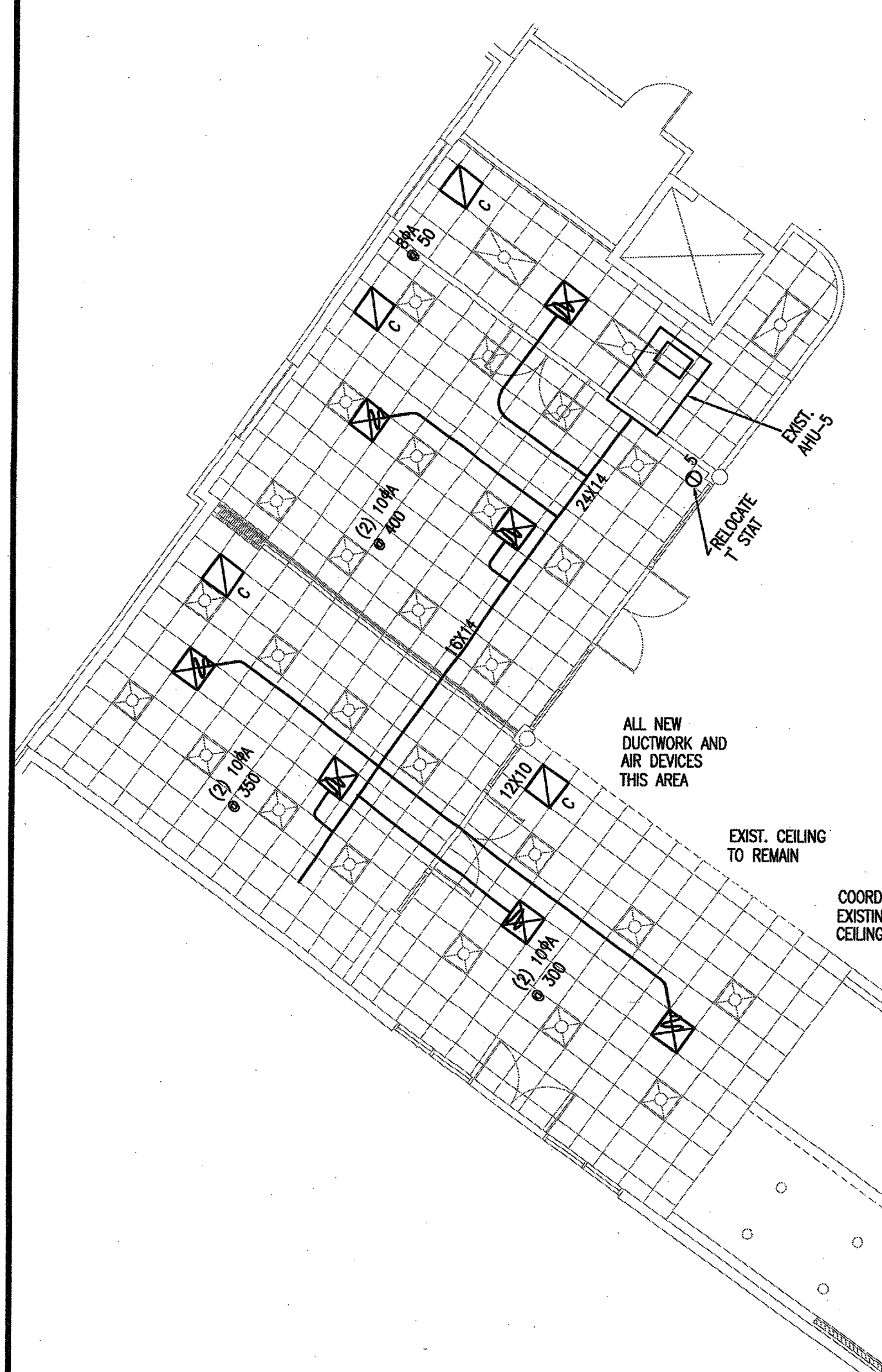
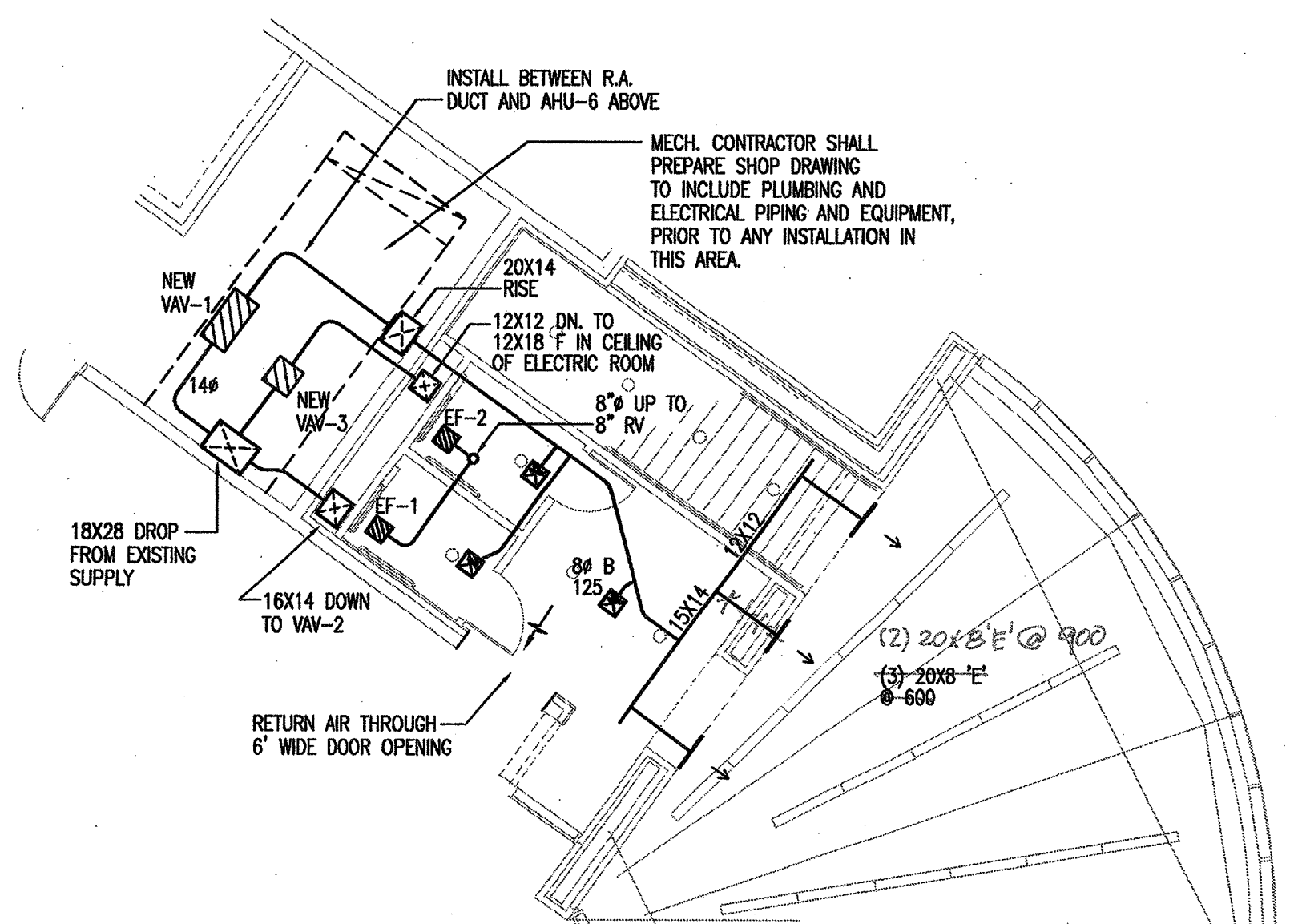
**A.C. UNIT SCHEDULE (CARRIER)**

UNIT MARK	MANUFACTURER # MODEL NO.	COOLING (TONS) NOMINAL	CFM	EXT. S.P.	CFM O.A.	IN. FAN HP	EXH. FAN HP	ELECTRIC VOLT/F	FEER	WEIGHT	ECONOMIZER	HEATING ELEC. (KW)	REMARKS
AC-1	50BYN008	15	2600	0.8"	200	15	-	210 400/3	30	8.9	-	NO	-
AC-2	50BYN008	15	3000	0.8"	200	15	-	210 400/3	30	8.9	-	NO	-
AC-3	+AC-2												
AC-4	+AC-2												
AC-5	+AC-2												

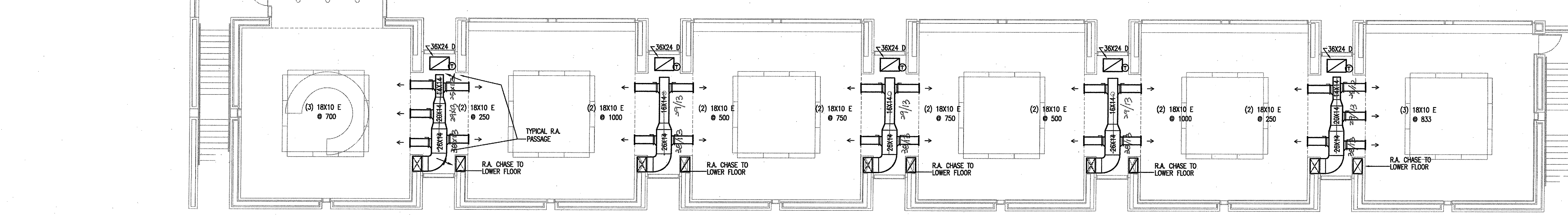
**AIR DEVICE SCHEDULE**

UNIT MARK	S.E. OR R.	TYPE	VOLUME CONTROL	SIZE FACE NECK	FRAME STYLE	MANUFACTURER # MODEL NO.	REMARKS
A	S	LOUVER	*	24x24 SEE PLAN	LAY-IN	TITUS TH8-AA	ALUMINUM
B	S	"	"	"	SURF.	"	"
C	R	EGGCRATE	NO	24x24	LAY-IN	50F-3	"
D	R	"	"	"	SURF.	"	"
E	S	SIDEWALL	YES	"	"	3000 RL-AG18	DOUBLE DEFLECTION
F	R	"	NO	"	"	3500 RL	"
G	S	LOUVER	NO	"	"	DOUGCO DBE-04	EXTRUDED ALUMINUM

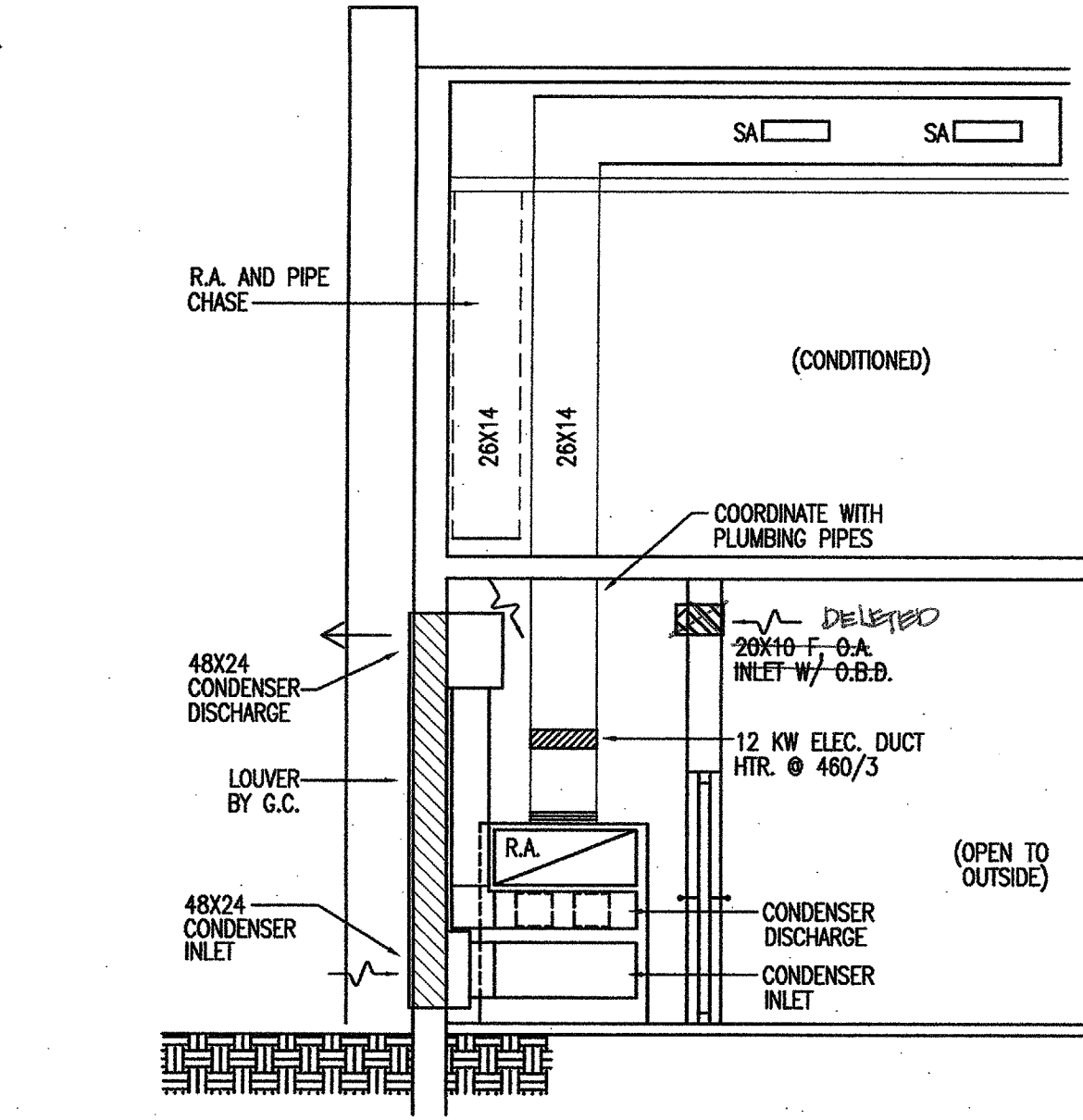
INSTALL IN TRUNK DUCT WHERE THIS IS ABOVE ACCESSIBLE CEILING, IF NOT, PROVIDE WITH AIR DEVICE.  
\* AS SMALL AS AVAILABLE  
NOTE: ALL INDOOR DEVICES SHALL BE WHITE



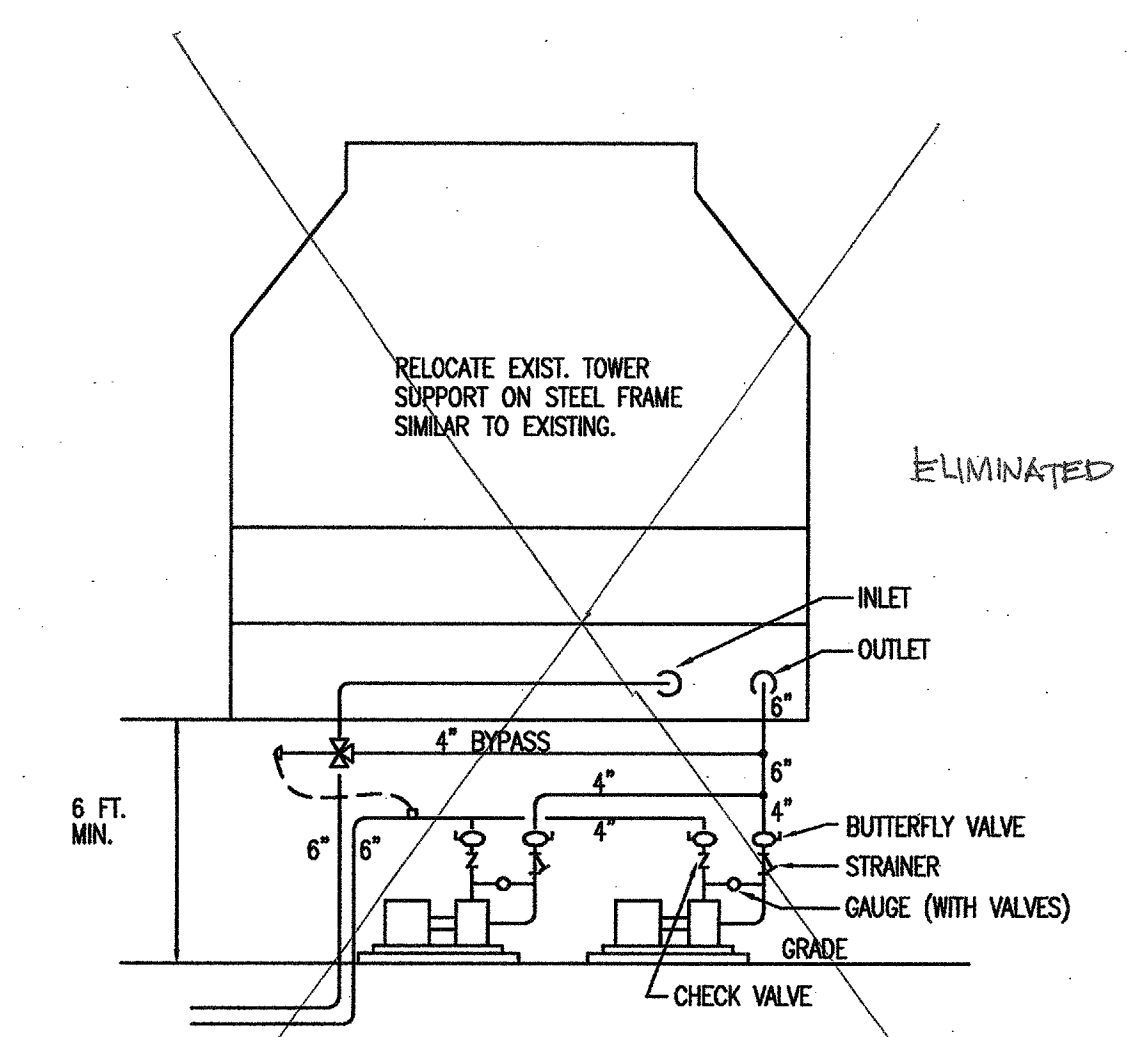
**1 upper floor - hvac**  
SCALE: 1/8" = 1' - 0"



**2 lower floor - hvac**  
SCALE: 1/8" = 1' - 0"



**3 ac-detail**  
SCALE: NTS



**4 cooling tower diagram**  
SCALE: NTS

**PUMP SCHEDULE**

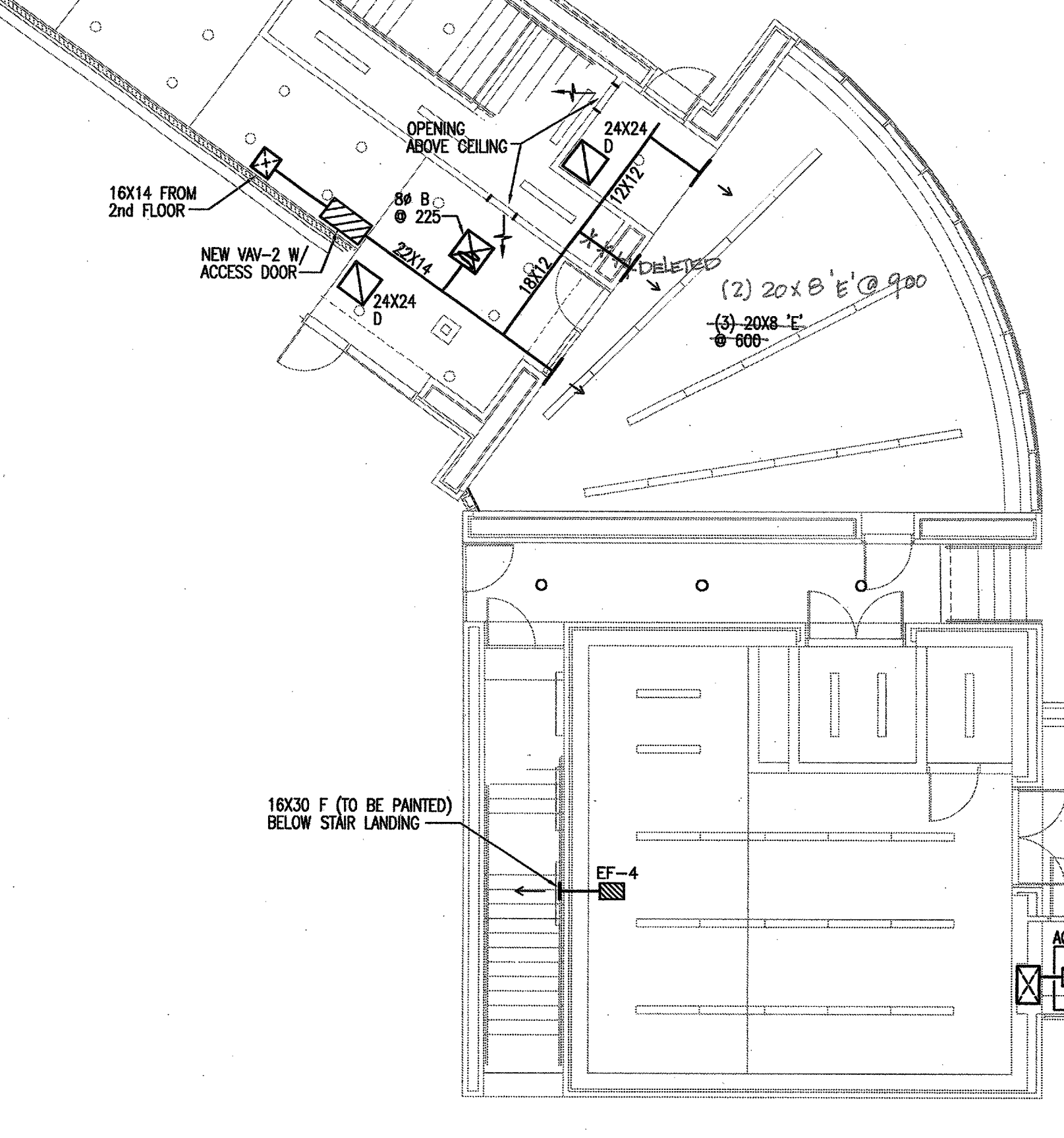
UNIT MARK	SERVICE	GPM	PRESSURE SUCT. DISCH. DIFF.	MOTOR HP RPM VOLT/FPH	MANUFACTURER # MODEL NO.	REMARKS
P-1	CONDENSER WATER	200	35 95	6.0 5 1750 460/3	PACO CC-200B-3	
P-2	CONDENSER WATER	200	35 95	6.0 5 1750 460/3	PACO CC-200B-3	

**VAV SCHEDULE**

UNIT MARK	SIZE	CFM RANGE HIGH/1 LOW	MAX. P.D.	FAN SIZE	CFM HP	ELECTRIC HEATER KW (STAGE) VOLT/FPH	MANUFACTURER # MODEL NO.
VAV-1	14"	2025 500	0.10"	-	-	10 2 480/1	ENVIRO-TEC SDR-EH
VAV-2	+VAV-1						
VAV-3	8"	600 150	0.10"	-	-	-	SDR

**EXHAUST FAN SCHEDULE**

UNIT MARK	CFM	S.P. (W.G.)	WHEEL DIAM. (IN)	DRIVE	MOTOR HP ELEC.	SONES (MAX)	MANUFACTURER # MODEL NO.	REMARKS
EF-1,2	1875	1/4"	1800	DIRECT	1/2 120 / 1	3.0	LOREN COOK GC-140	W/ INT. BACKDRAFT DAMPER
EF-3,4	1425	3/8"	1800	DIRECT	1/2 120 / 1	3.2	LOREN COOK GC-140	W/ INT. BACKDRAFT DAMPER
RV								TYPE FR GRAVITY ROOF VENTILATOR



**2 lower floor - hvac**  
SCALE: 1/8" = 1' - 0"