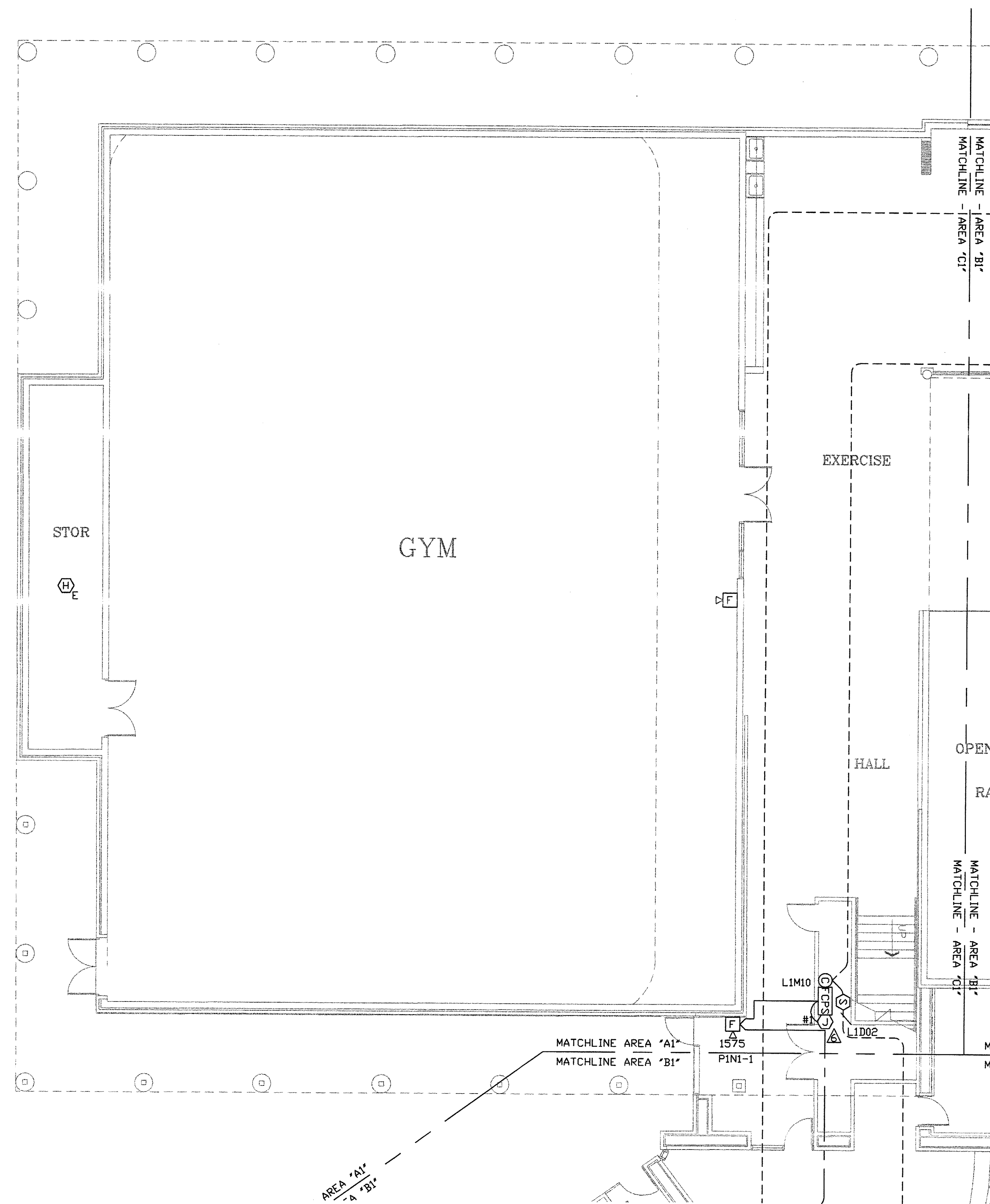


2ND FLOOR PLAN - AREA "B2" - FIRE ALARM SYSTEM

SCALE: 1/8" = 1'-0"

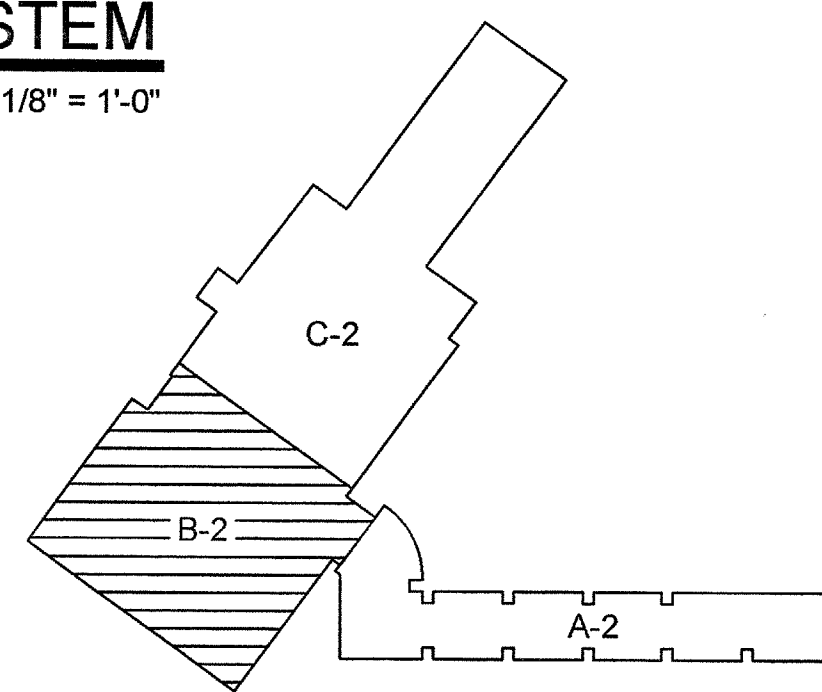


1ST FLOOR PLAN - AREA "B1" - FIRE ALARM SYSTEM

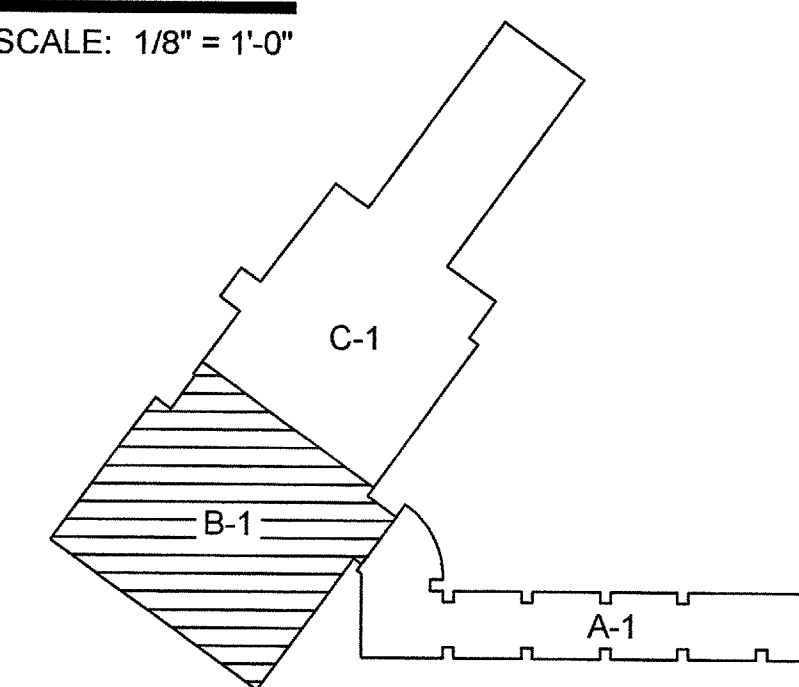
SCALE: 1/8" = 1'-0"

SYM.	DESCRIPTION
F	MANUAL PULL STATION
V ₇₅	STROBE ONLY UNIT (# INDICATES cd)
F ₁₇₅	HORN/STROBE UNIT (# INDICATES cd)
F ₁₁₅	CEILING HORN/STROBE UNIT (# INDICATES cd)
S	SMOKE DETECTOR
S _D	SMOKE DUCT DETECTOR
H	HEAT DETECTOR
FACP	FIRE ALARM CONTROL PANEL
FAAP	FIRE ALARM ANNUCIATOR PANEL
FCPS	FIRE ALARM POWER SUPPLY (AUXILIARY)
R	RELAY MODULE
C	CONTROL MODULE
M	MONITOR MODULE
SY	STROBE SYNC MODULE
FS	FLOW SWITCH
TS	TAMPER SWITCH
PS	PRESSURE SWITCH
J	JUNCTION BOX FOR FIRE ALARM
RT	REMOTE TEST/RESET

NOTE: NOT ALL SYMBOLS USED ON FIRE ALARM PLAN



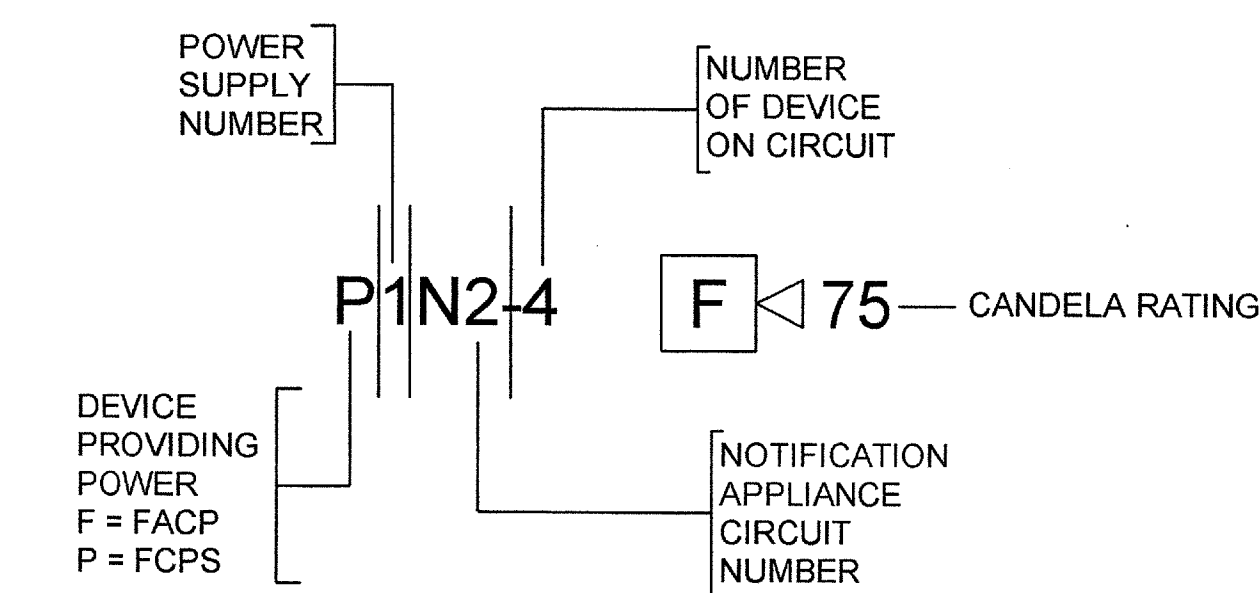
KEY PLAN



KEY PLAN

GENERAL NOTES FIRE ALARM SYSTEM:

- EXISTING NON-INTELLIGENT FIRE ALARM DEVICES WERE NOT CHANGED, BUT ARE BEING MONITORED BY THE NEW FIRE ALARM CONTROL PANEL.



NOTIFICATION DEVICE DESIGNATIONS (TYP.)

EQUIPMENT LIST:

- AFP400 - NOTIFIER FIRE ALARM CONTROL PANEL
- UDACT - NOTIFIER DIGITAL ALARM COMMUNICATOR
- FCPS24-S6 - NOTIFIER FIRE ALARM POWER SUPPLY
- PS1270 - NOTIFIER BATTERY (7 AMPHOUR)
- FSP-751 - NOTIFIER ADDRESSABLE SMOKE DETECTOR
- B710-LP - NOTIFIER DETECTOR BASE
- FMM-1 - NOTIFIER ADDRESSABLE MONITOR MODULE
- FCM-1 - NOTIFIER ADDRESSABLE CONTROL MODULE
- DH100ACDCCP - NOTIFIER SMOKE DUCT DETECTOR
- S241575 - NOTIFIER STROBE ONLY UNIT (1575 cd)
- P241575 - NOTIFIER HORN/STROBE UNIT (1575 cd)
- P2475 - NOTIFIER HORN/STROBE UNIT (75 cd)

LINE TYPE LEGEND

- INITIATING DEVICE CIRCUIT (dashed line)
- NOTIFICATION DEVICE CIRCUIT (solid line)

AS-BUILT
7/12/03

ALPHA BURLGAR AND FIRE ALARM SYSTEMS
15245 STATE HIGHWAY 56 W.
SHERMAN, TX 75092
ACR-81173-388
JOHNNY STACY
LICENSE # APS-0562

DATE: 7/14/03

ADDISON ATHLETIC CLUB
EXPANSION AND LEISURE POOL
ADDISON, TX

Alpha Burlgar and Fire Alarm Systems

15245 State Hwy. 56
Sherman, TX 75092-7917
Phone: 888-892-0555 Fax: 903-892-9710



DWN. BY: CB
DATE: 10/14/02
REVISED: 12/9/02
AS-BUILT 7/12/03 CB

FA-2