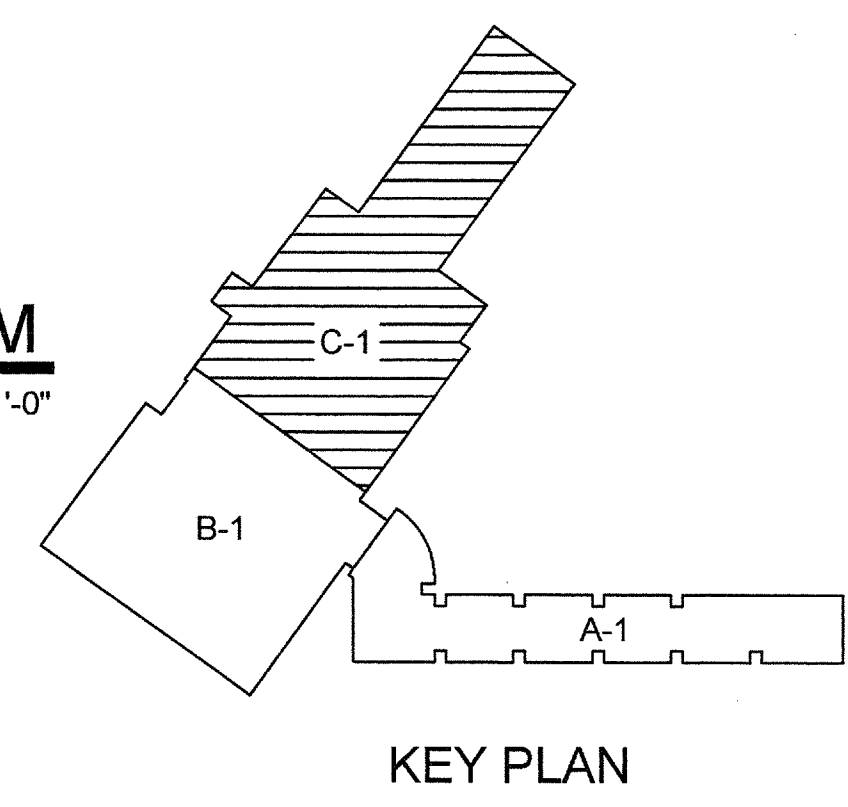


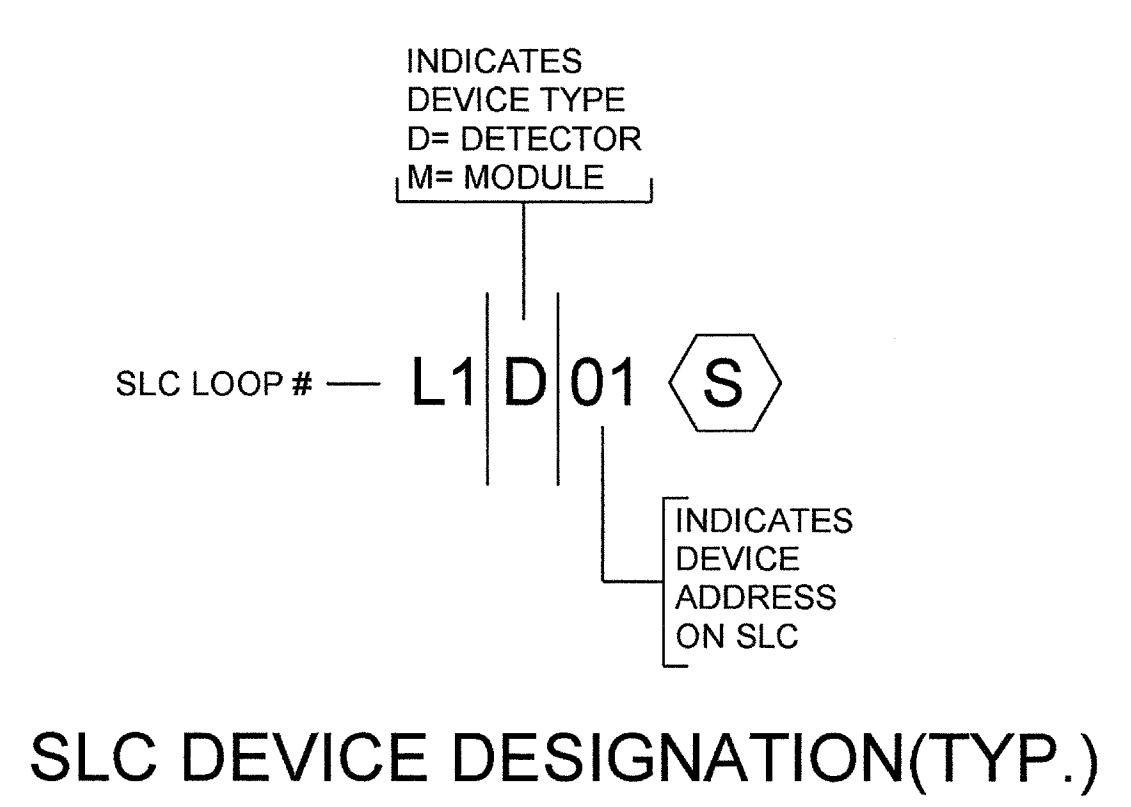
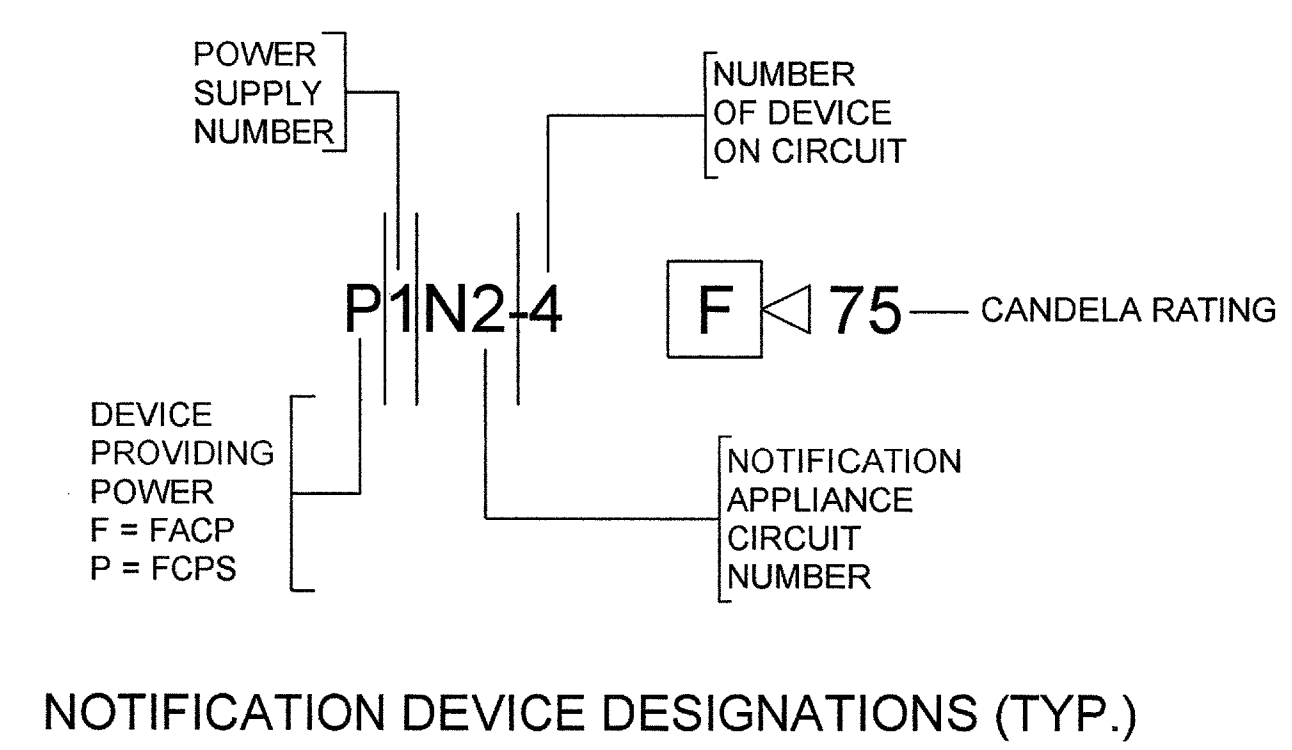
1ST FLOOR PLAN - AREA "C1" - FIRE ALARM SYSTEM
SCALE: 1/8" = 1'-0"



FIRE ALARM SYSTEM LEGEND

SYM.	DESCRIPTION
F	MANUAL PULL STATION
V ₇₅	STROBE ONLY UNIT (# INDICATES cd)
F ₁₇₅	HORN/STROBE UNIT (# INDICATES cd)
E ₁₁₅	CEILING HORN/STROBE UNIT (# INDICATES cd)
S	SMOKE DETECTOR
S _D	SMOKE DUCT DETECTOR
H	HEAT DETECTOR
FACP	FIRE ALARM CONTROL PANEL
FAAP	FIRE ALARM ANNUNCIATOR PANEL
FCPS	FIRE ALARM POWER SUPPLY (AUXILIARY)
R	RELAY MODULE
C	CONTROL MODULE
M	MONITOR MODULE
SY	STROBE SYNC MODULE
FS	FLOW SWITCH
TS	TAMPER SWITCH
PS	PRESSURE SWITCH
J	JUNCTION BOX FOR FIRE ALARM
RT	REMOTE TEST/RESET

NOTE: NOT ALL SYMBOLS USED ON FIRE ALARM PLAN



LINE TYPE LEGEND
INITIATING DEVICE CIRCUIT
NOTIFICATION DEVICE CIRCUIT

AS-BUILT
7/12/03

ALPHA BURGLAR AND FIRE ALARM SYSTEMS
15245 STATE HIGHWAY 56 W.
SHERMAN, TX 75092
ACR-81173-388
JOHNNY STACY
LICENSE # APS-0562

DATE: 7/12/03