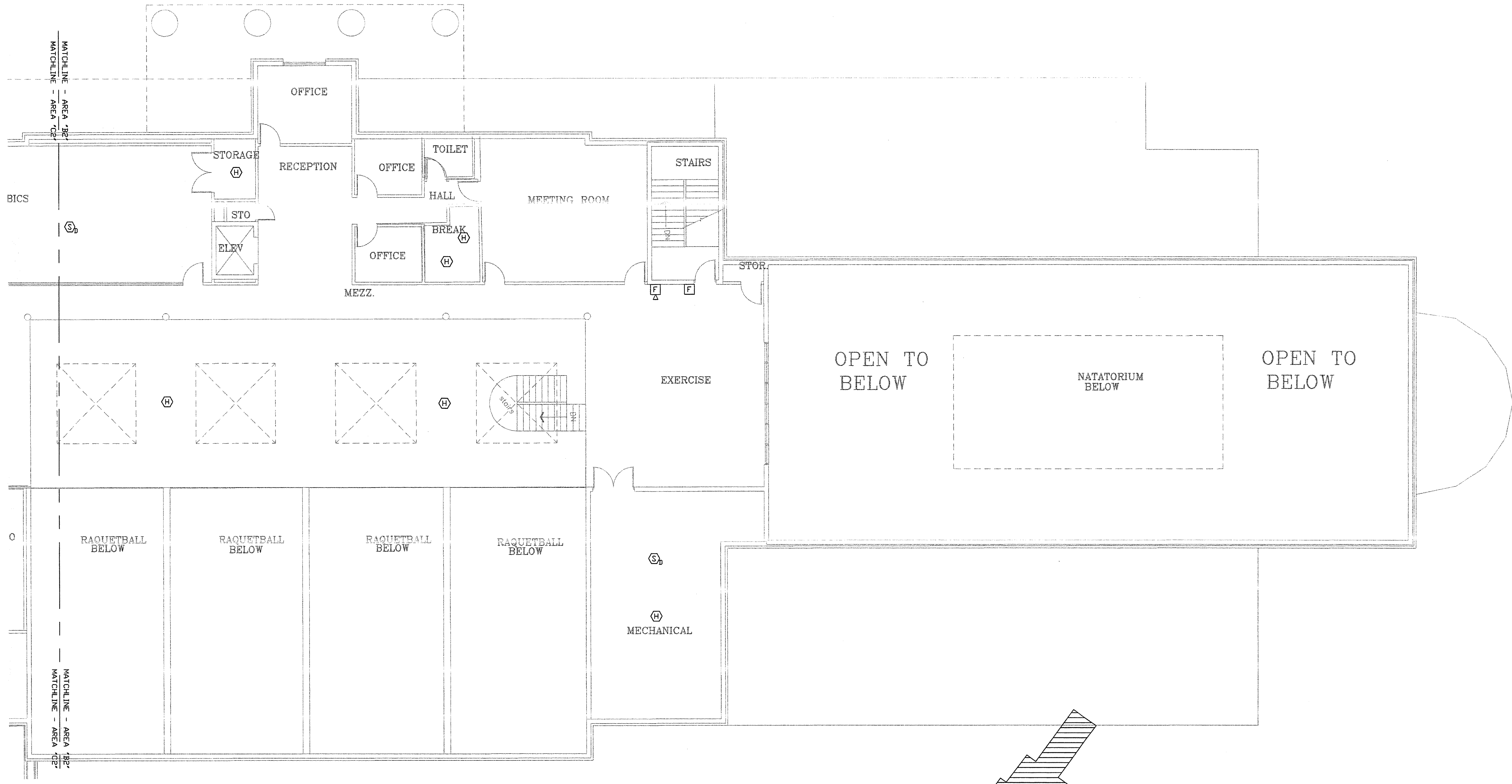


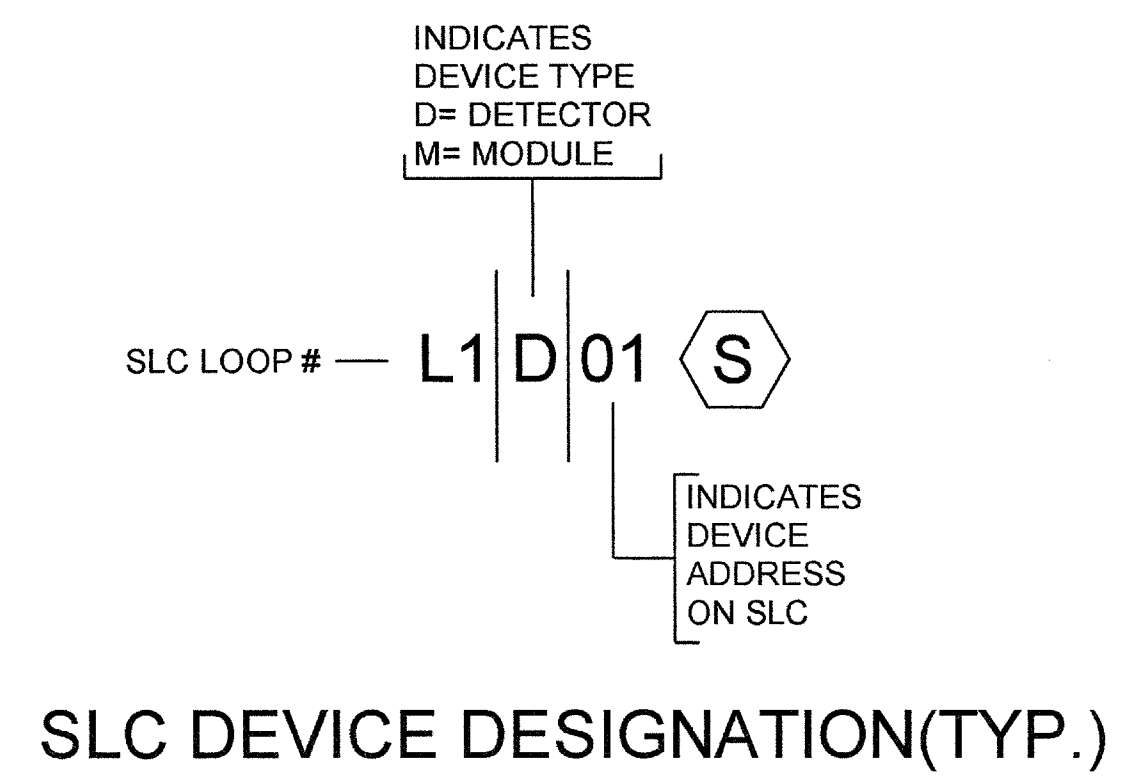
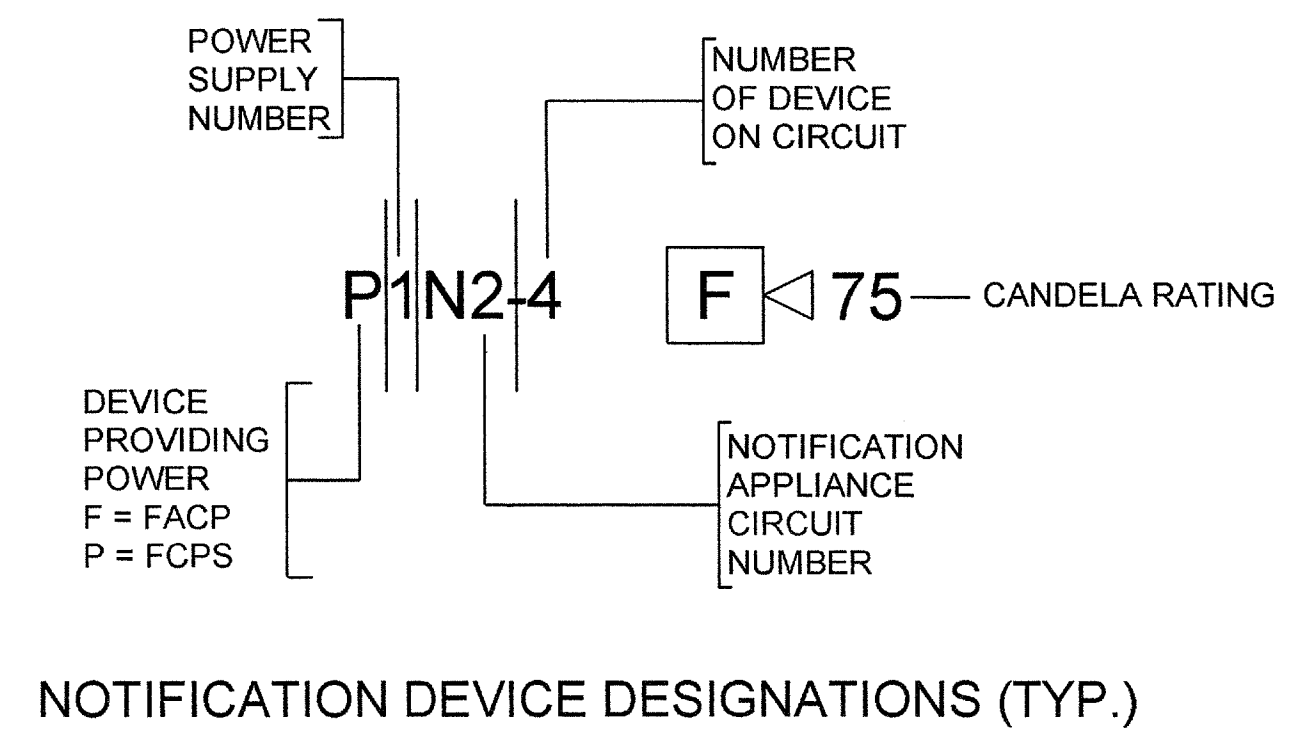
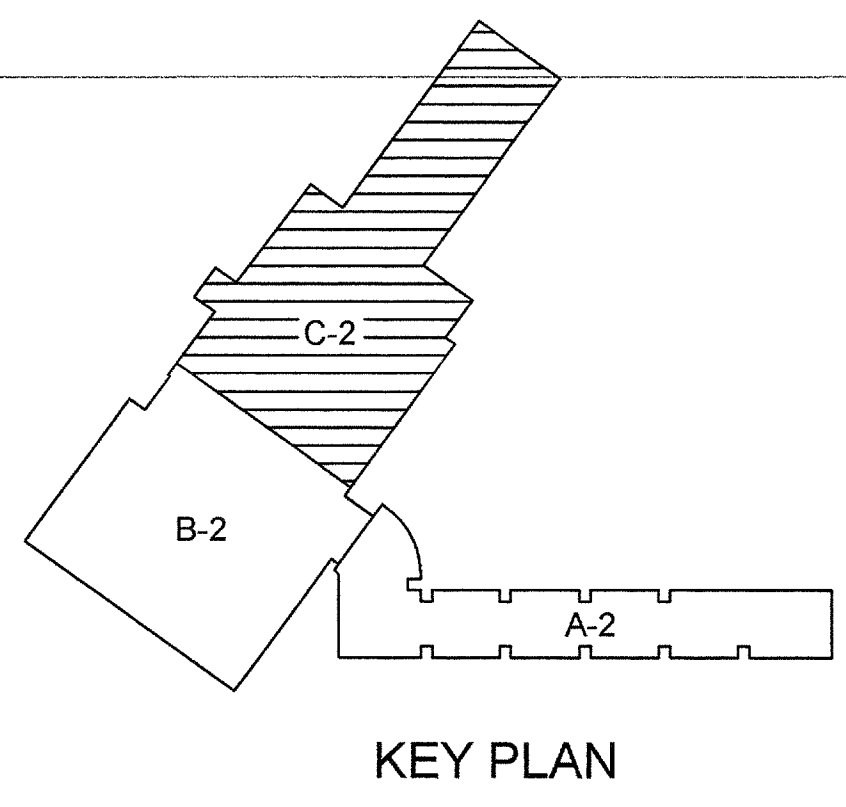
FIRE ALARM SYSTEM LEGEND

SYM.	DESCRIPTION
[F]	MANUAL PULL STATION
[V] ₇₅	STROBE ONLY UNIT (# INDICATES cd)
[F] ₁₇₅	HORN/STROBE UNIT (# INDICATES cd)
[F] ₁₁₅	CEILING HORN/STROBE UNIT (# INDICATES cd)
[S]	SMOKE DETECTOR
[S] _D	SMOKE DUCT DETECTOR
[H]	HEAT DETECTOR
[FACP]	FIRE ALARM CONTROL PANEL
[FAAP]	FIRE ALARM ANNUNCIATOR PANEL
[FCPS]	FIRE ALARM POWER SUPPLY (AUXILIARY)
[R]	RELAY MODULE
[C]	CONTROL MODULE
[M]	MONITOR MODULE
[SY]	STROBE SYNC MODULE
[FS]	FLOW SWITCH
[TS]	TAMPER SWITCH
[PS]	PRESSURE SWITCH
[J]	JUNCTION BOX FOR FIRE ALARM
[RT]	REMOTE TEST/RESET

NOTE: NOT ALL SYMBOLS USED ON FIRE ALARM PLAN



2ND FLOOR PLAN - AREA "C2" - FIRE ALARM SYSTEM
SCALE: 1/8" = 1'-0"



LINE TYPE LEGEND

INITIATING DEVICE CIRCUIT: - - - - -

NOTIFICATION DEVICE CIRCUIT: - - - - -

AS-BUILT
7/12/03

ALPHA BURGLAR AND FIRE ALARM SYSTEMS
15245 STATE HIGHWAY 56 W.
SHERMAN, TX 75092
ACR-81173-388
JOHNNY STACY
LICENSE # APS-0562

DATE: 7/14/03

ADDISON ATHLETIC CLUB
EXPANSION AND LEISURE POOL
ADDISON, TX

Alpha Burglar and Fire Alarm Systems
15245 State Hwy. 56
Sherman, TX 75092-7917
Phone: 888-892-0555 Fax: 903-892-9710



DWN. BY: CB
DATE: 10/14/02
REVISED: 12/9/02
AS-BUILT 7/12/03 CB

FA-4