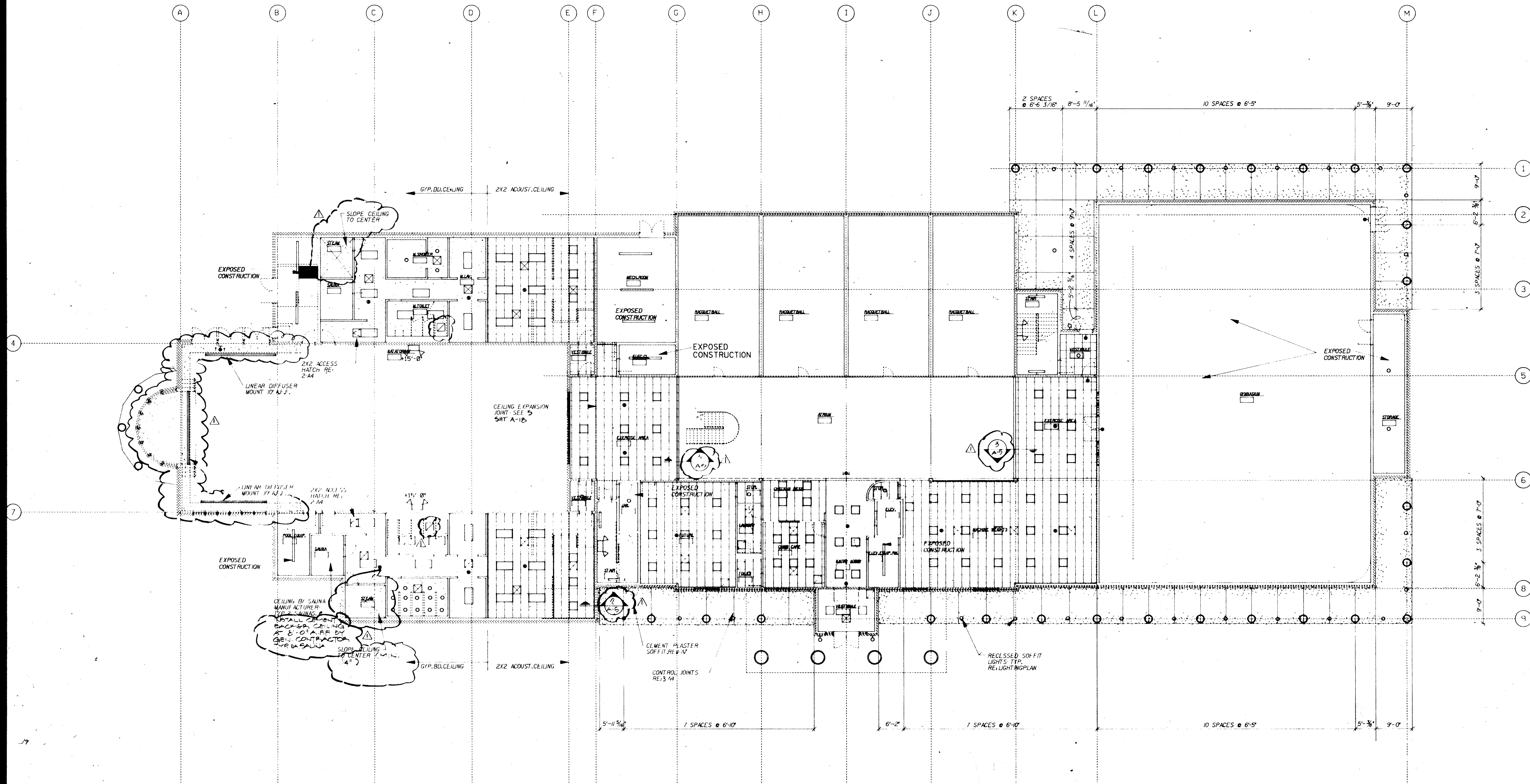
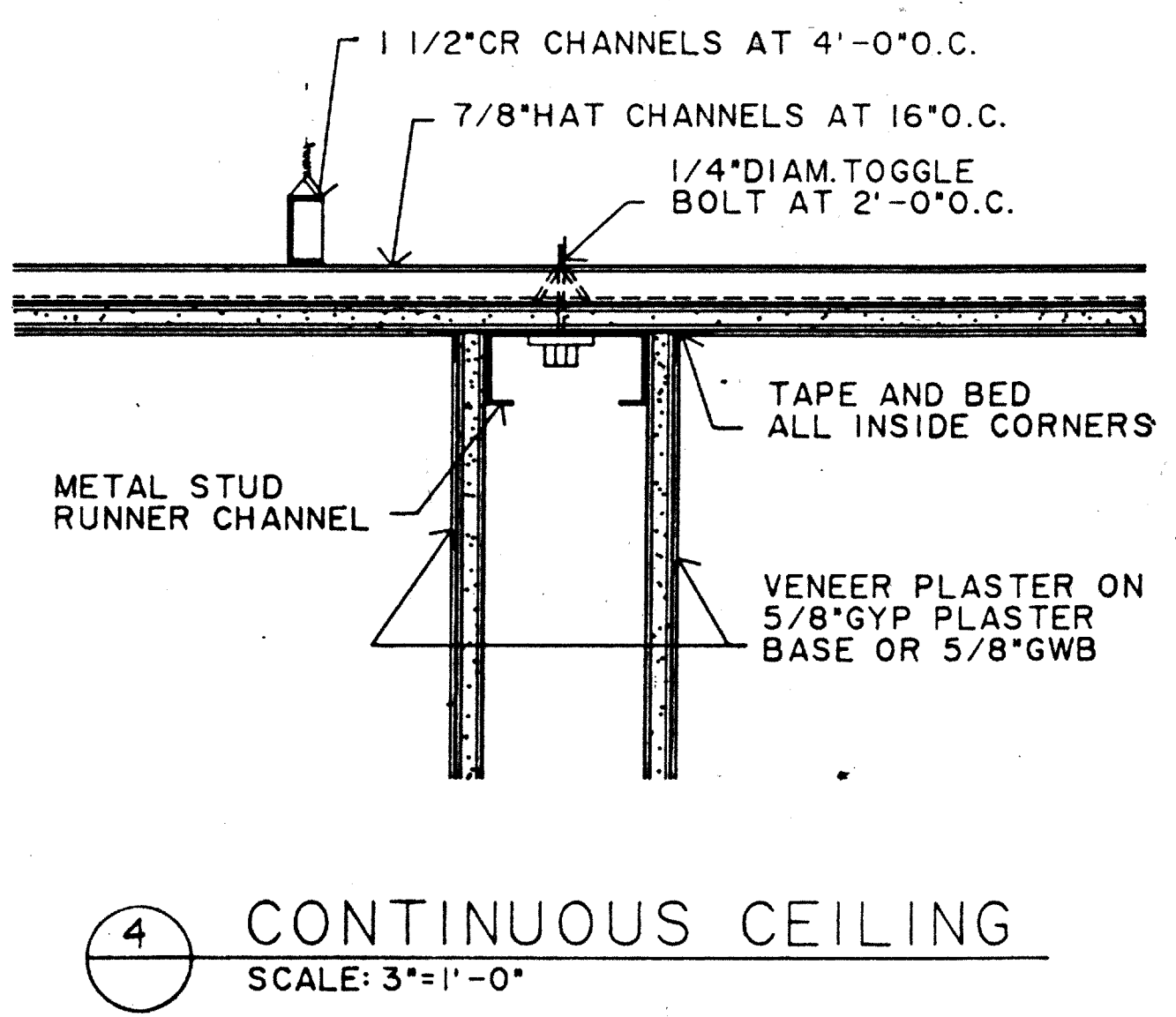
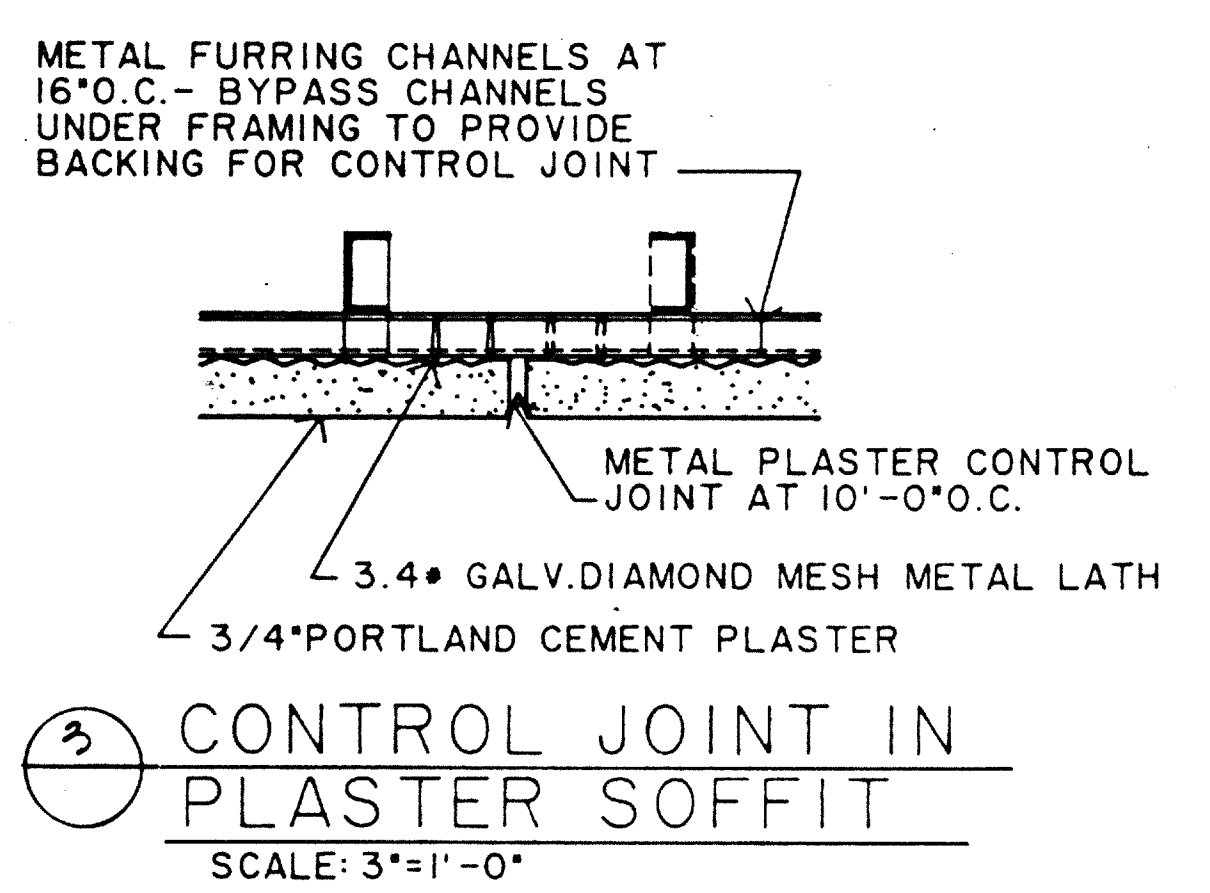
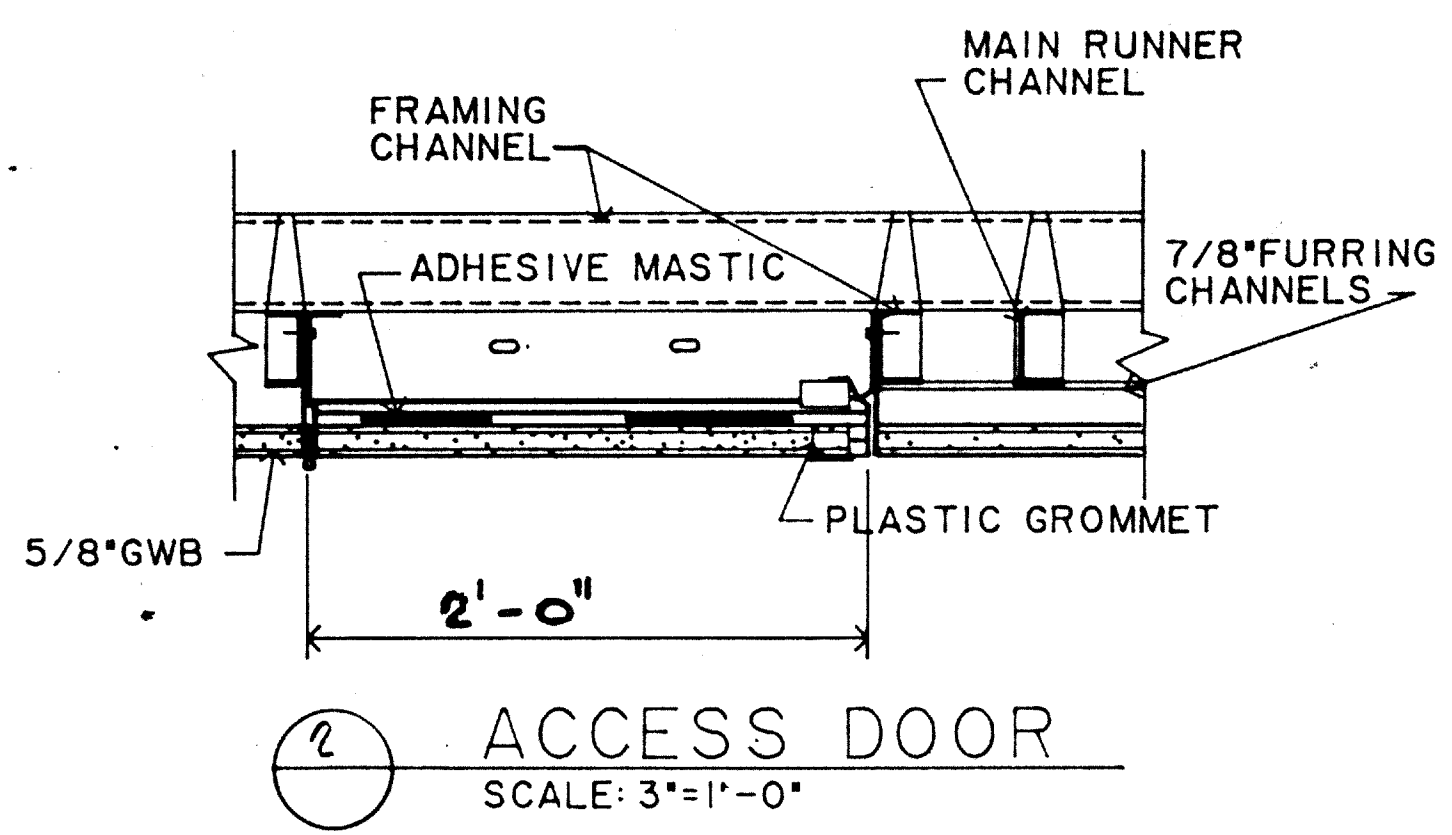
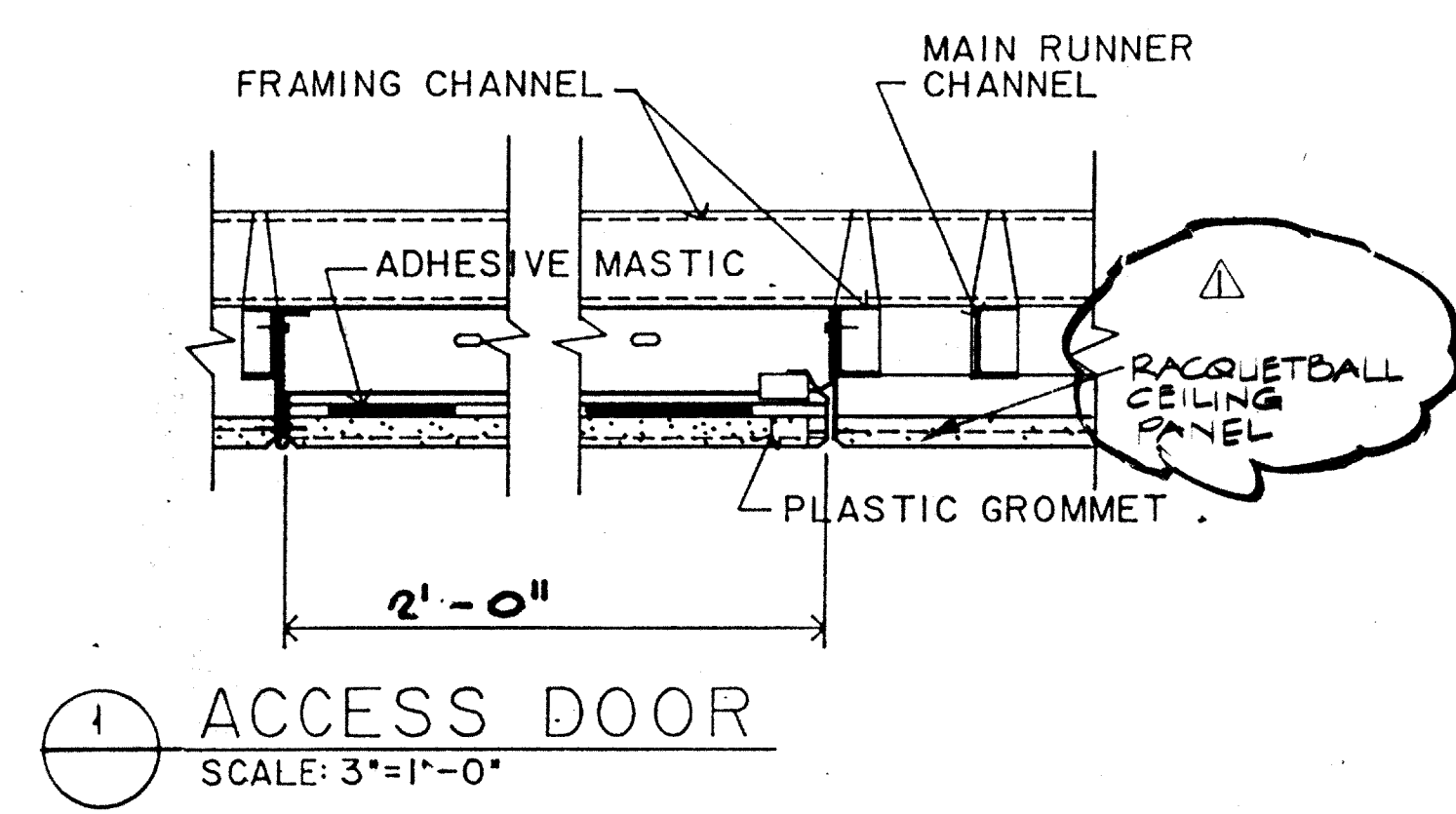
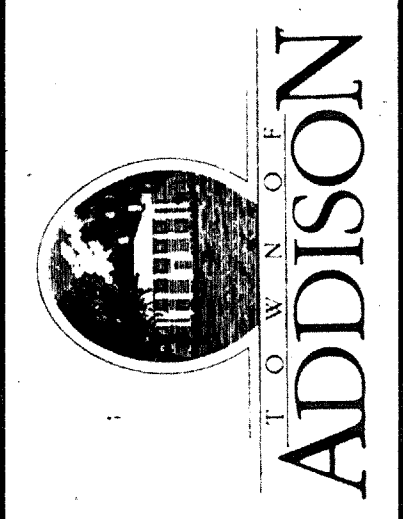


SHEET NO.	
BASE	
C	
L	
A	
S	
M	
E	



REFLECTED CEILING PLAN - GROUND FLOOR
SCALE 3/32"=1'-0"

ADDISON RECREATION CENTER
3900 BELTWAY DRIVE
ADDISON, TEXAS



The Benham Group
Dallas

architects
engineers
planners
1341 w. mockingbird in.
suite 517 e
dallas, texas



Sheet Title
**GROUND FLOOR
REFLECTED CEILING
PLAN**

drawn M. BRECHLEY
chkd H. ADAMS
date 3-19-88

revisions
no. date
Δ 4/2/88

Sheet of **A-4**