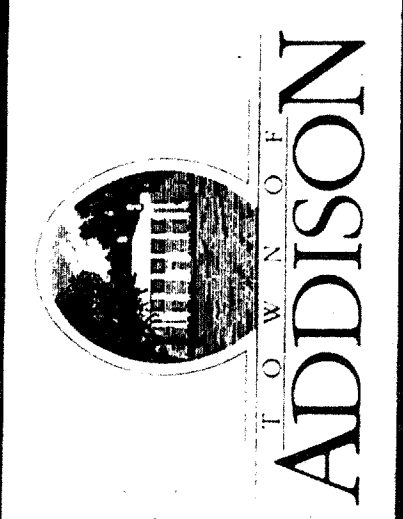


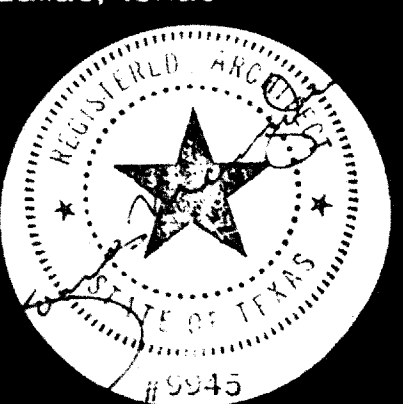
SHEET NO.	
BASE	
COMPOSITE	
CLASS	
DATE	
BY	

ADDISON RECREATION CENTER
 3900 BELTWAY DRIVE
 ADDISON, TEXAS



The Benham Group
 Dallas

architects
 engineers
 planners
 1341 w. mockingbird ln.
 suite 517 e
 dallas, texas

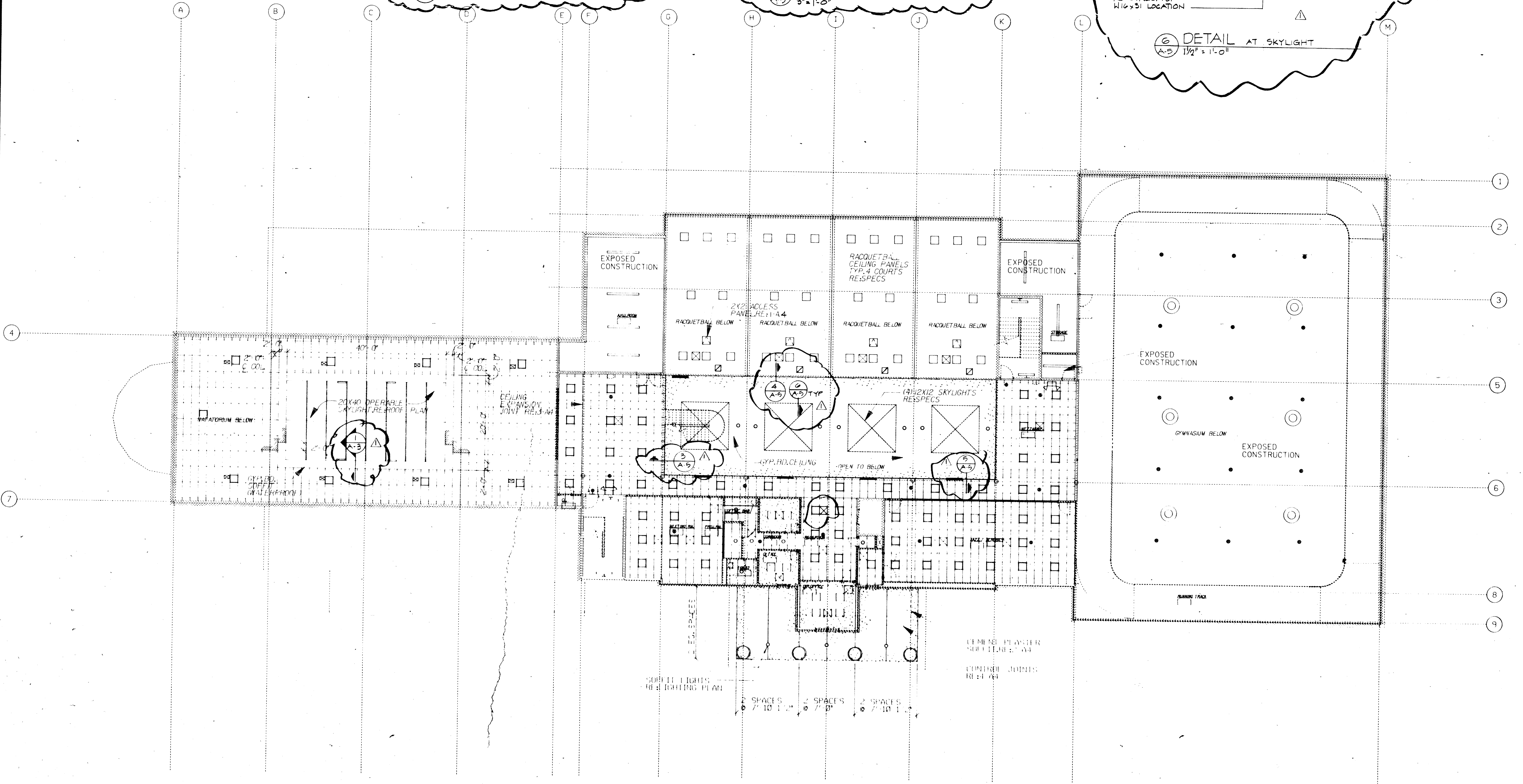
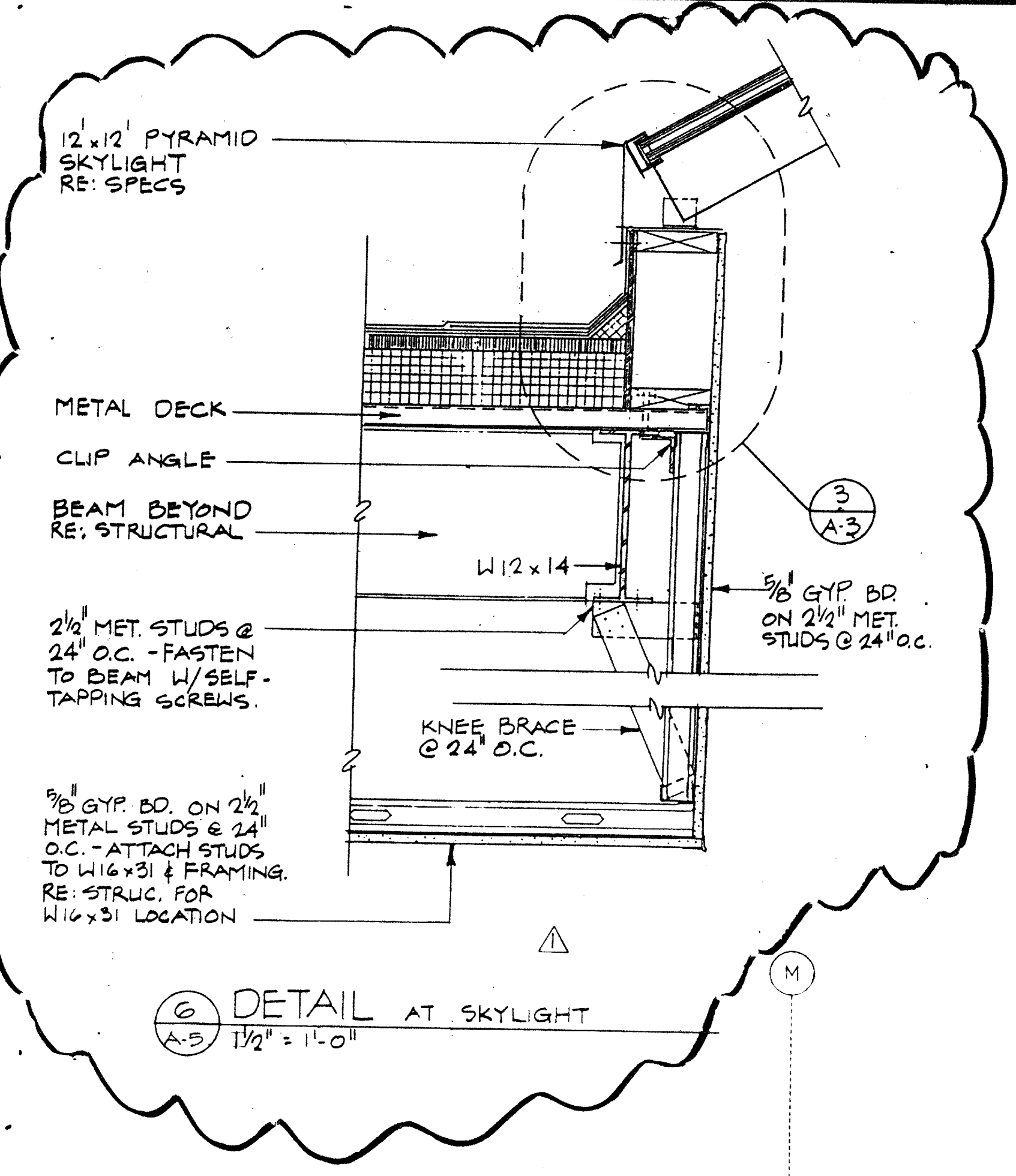
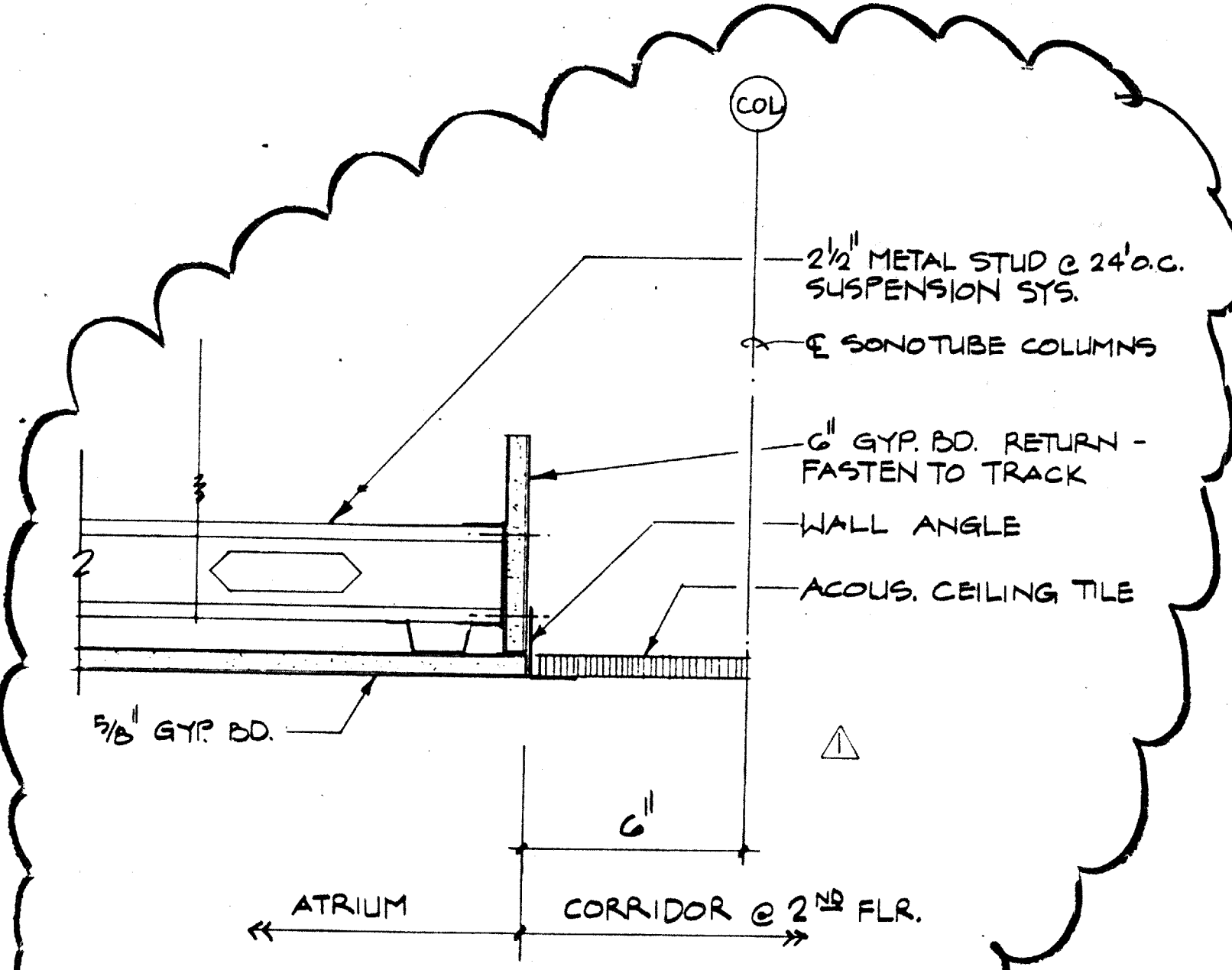
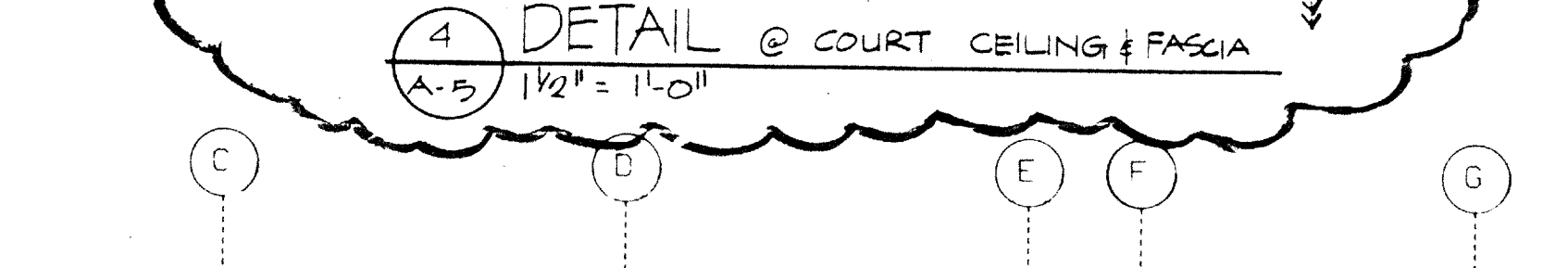
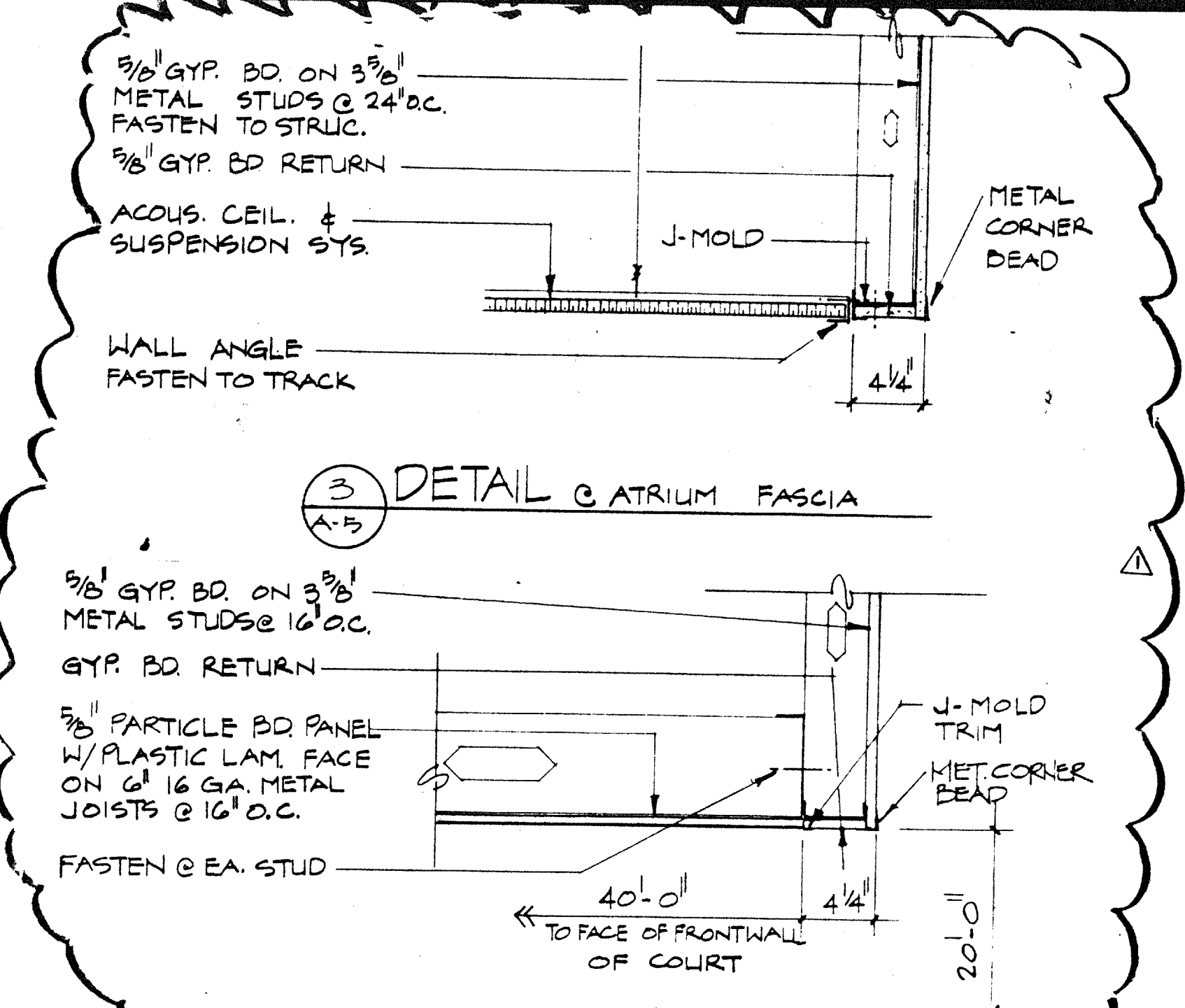
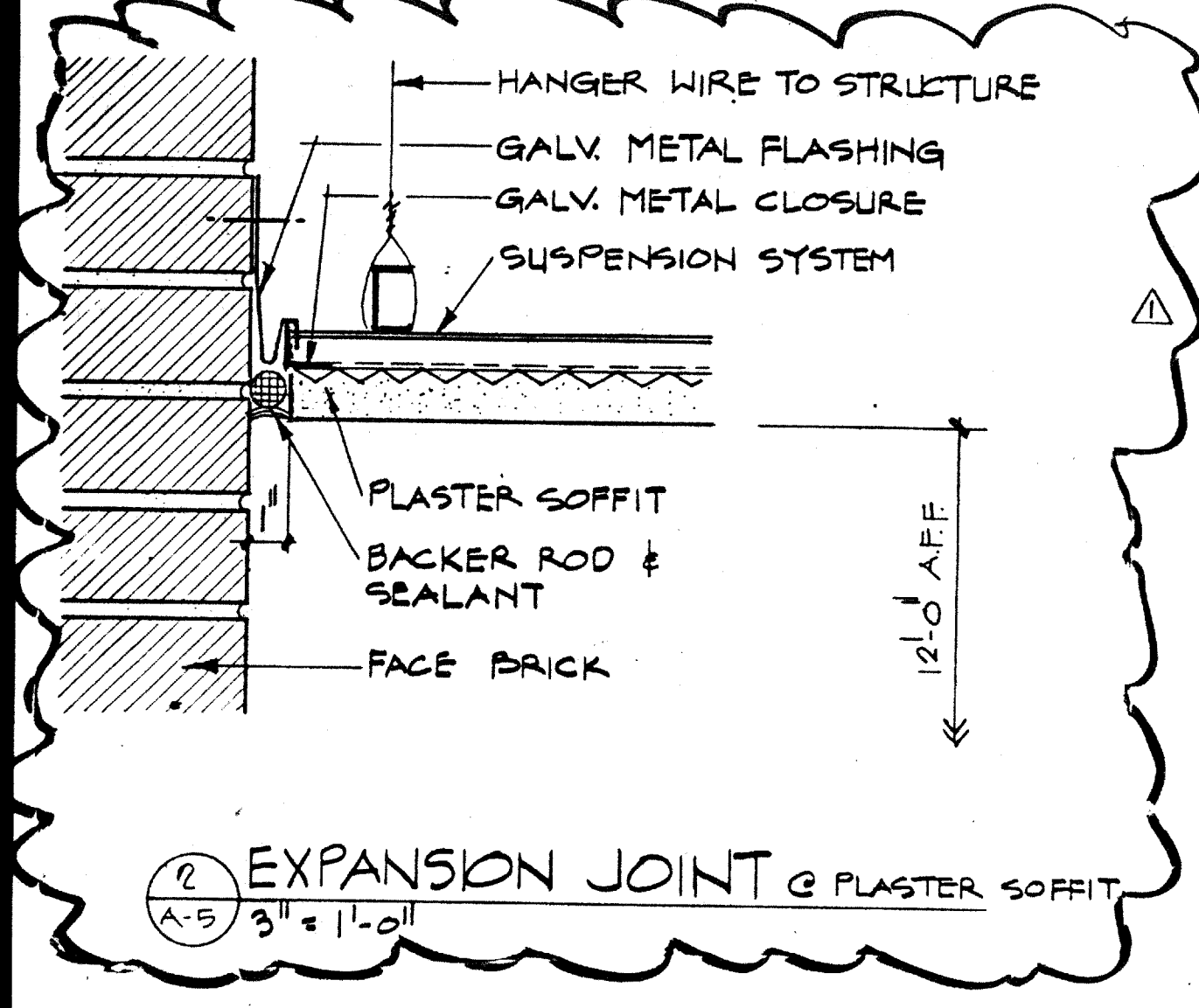


Sheet Title
SECOND FLOOR REFLECTED CEILING PLAN

drawn **M. BRECHLEY**
 checked **H. ADAMS**
 date **3-19-86**

revisions
 no. date
 Δ 4/2/86

sheet of **A-5**



REFLECTED CEILING PLAN - SECOND FLOOR
 SCALE 3/32" = 1'-0"

