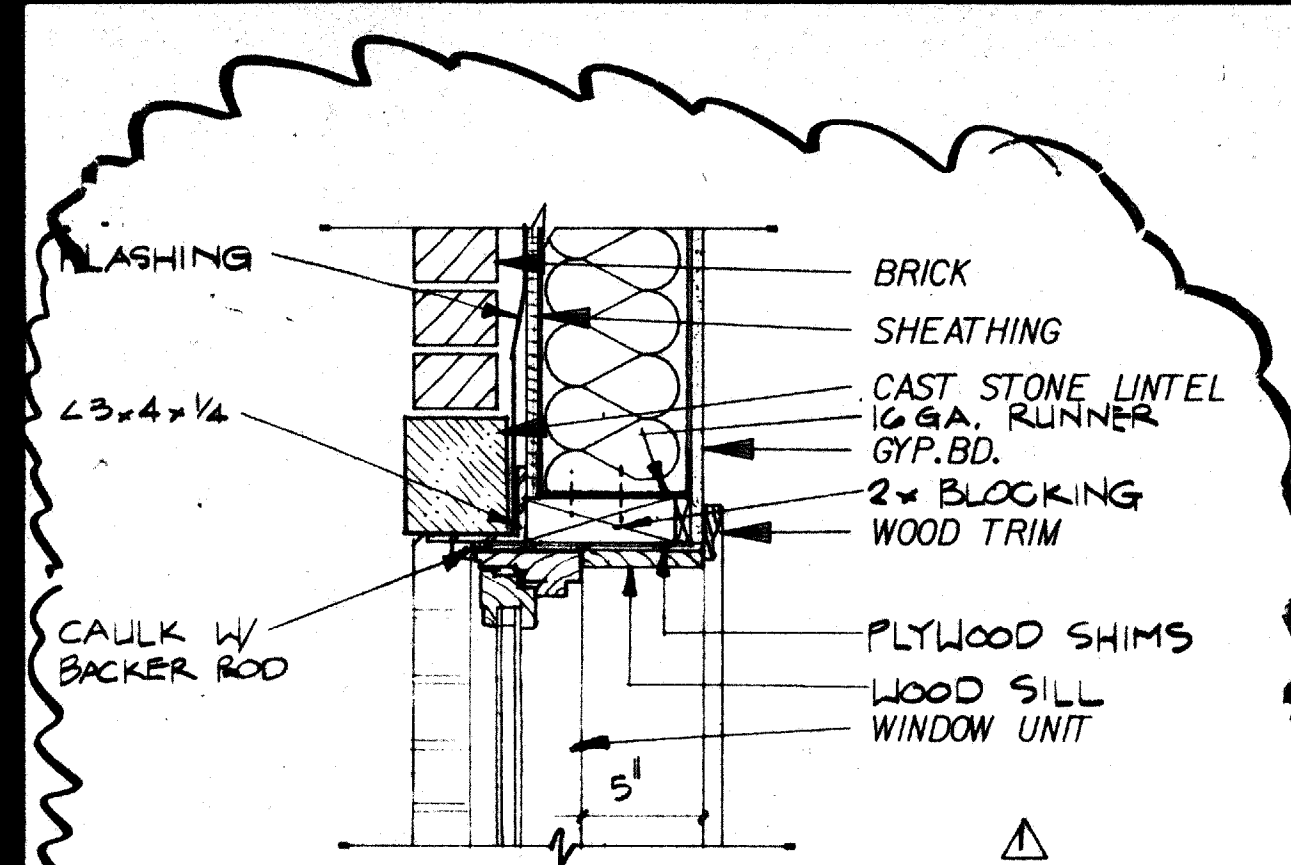
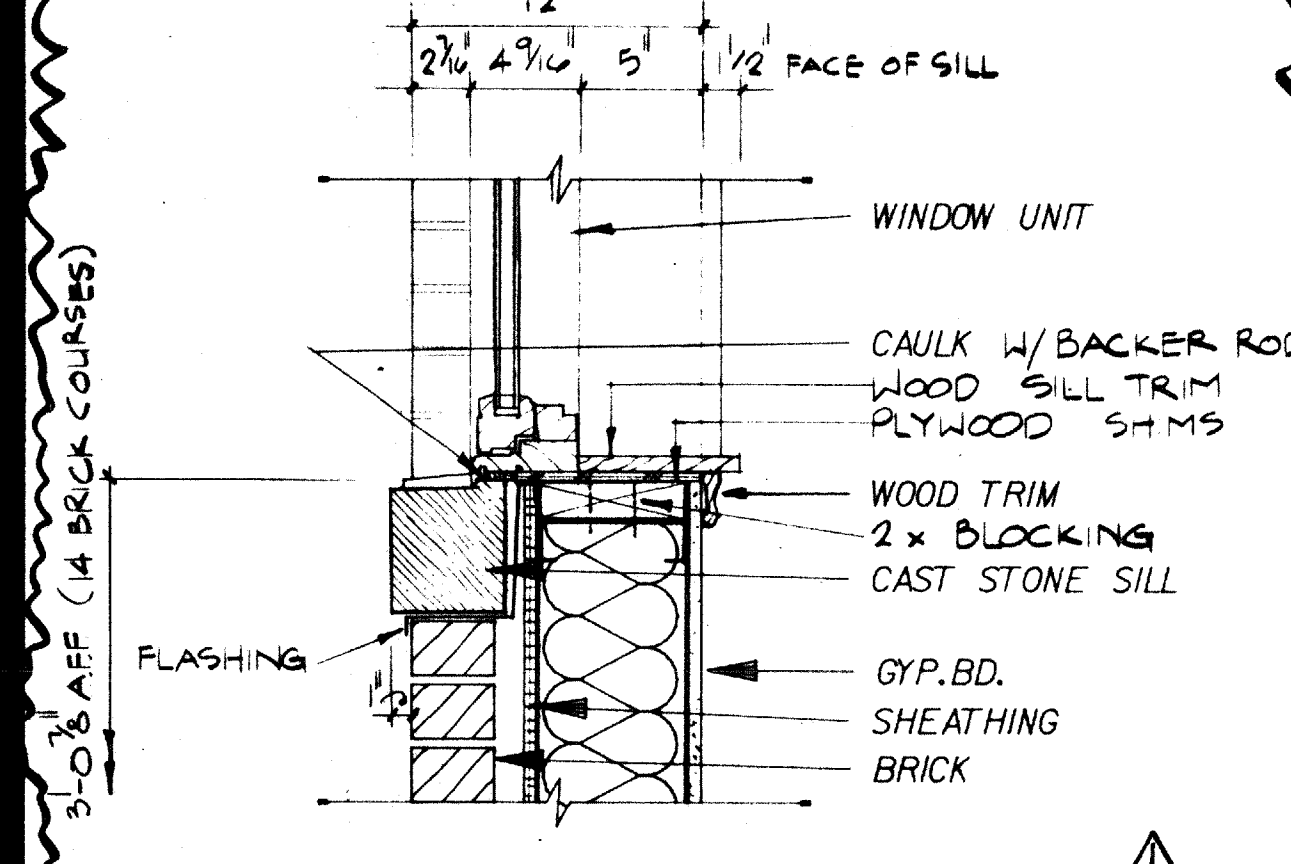


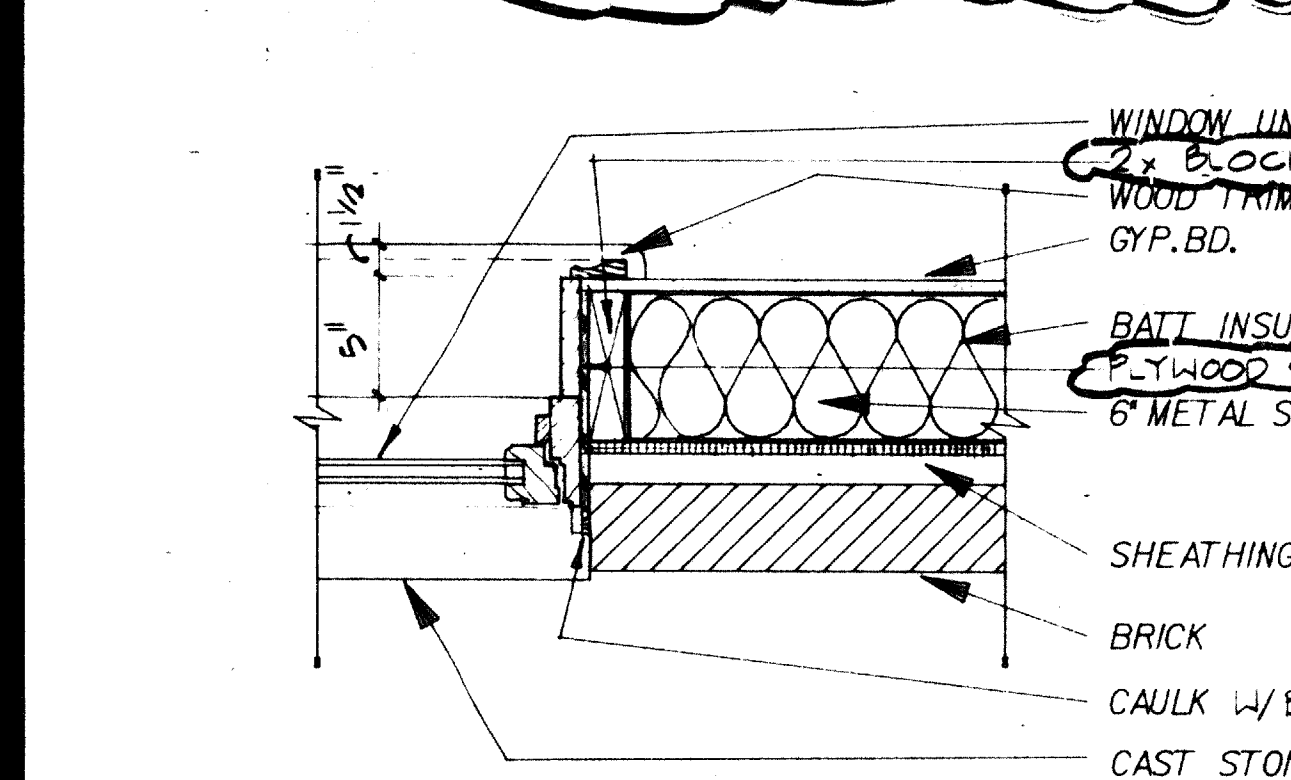
SHEET NO.	
BASE	
C	
D	
E	
F	
G	
H	
I	
J	
K	
L	
M	
N	
O	
P	
Q	
R	
S	
T	
U	
V	
W	
X	
Y	
Z	
AA	
AB	
AC	
AD	
AE	
AF	
AG	
AH	
AI	
AJ	
AK	
AL	
AM	
AN	
AO	
AP	
AQ	
AR	
AS	
AT	
AU	
AV	
AW	
AX	
AY	
AZ	
BA	
BB	
BC	
BD	
BE	
BF	
BG	
BH	
BI	
BJ	
BK	
BL	
BM	
BN	
BO	
BP	
BQ	
BR	
BS	
BT	
BU	
BV	
BW	
BX	
BY	
BZ	
CA	
CB	
CC	
CD	
CE	
CF	
CG	
CH	
CI	
CJ	
CK	
CL	
CM	
CN	
CO	
CP	
CQ	
CR	
CS	
CT	
CU	
CV	
CW	
CX	
CY	
CZ	
DA	
DB	
DC	
DD	
DE	
DF	
DG	
DH	
DI	
DJ	
DK	
DL	
DM	
DN	
DO	
DP	
DQ	
DR	
DS	
DT	
DU	
DV	
DW	
DX	
DY	
DZ	
EA	
EB	
EC	
ED	
EE	
EF	
EG	
EH	
EI	
EJ	
EK	
EL	
EM	
EN	
EO	
EP	
EQ	
ER	
ES	
ET	
EU	
EV	
EW	
EX	
EY	
EZ	
FA	
FB	
FC	
FD	
FE	
FF	
FG	
FH	
FI	
FJ	
FK	
FL	
FM	
FN	
FO	
FP	
FQ	
FR	
FS	
FT	
FU	
FV	
FW	
FX	
FY	
FZ	
GA	
GB	
GC	
GD	
GE	
GF	
GG	
GH	
GI	
GJ	
GK	
GL	
GM	
GN	
GO	
GP	
GQ	
GR	
GS	
GT	
GU	
GV	
GW	
GX	
GY	
GA	



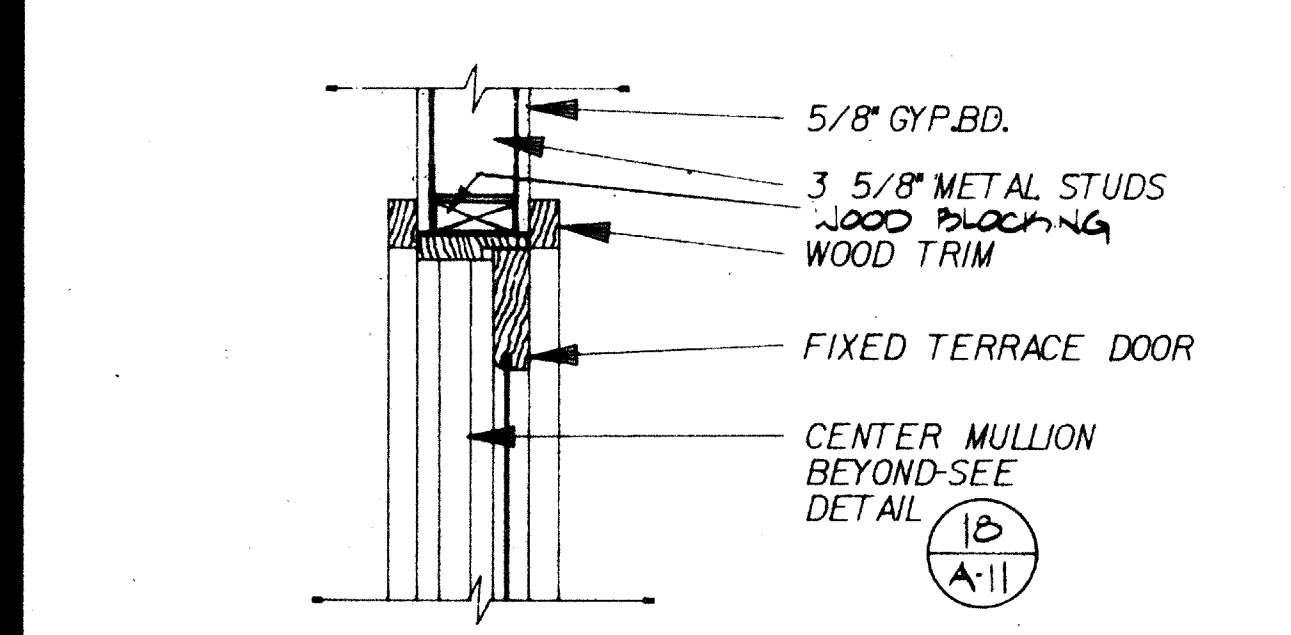
1 DETAIL-WINDOW HEAD
1-1/2" = 1'



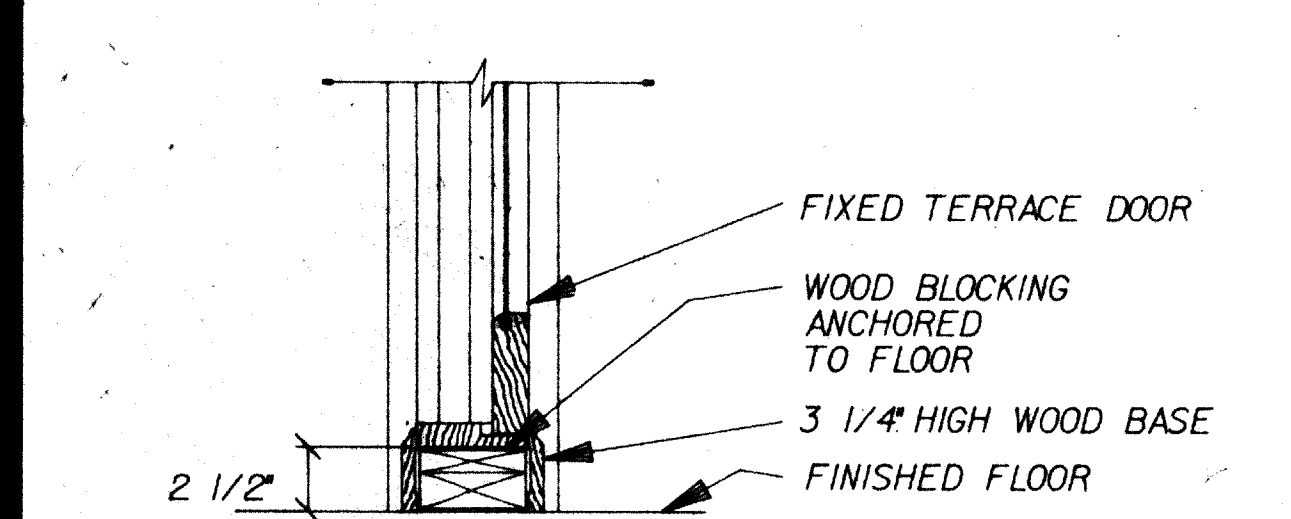
6 DETAIL-WINDOW SILL
1-1/2" = 1'



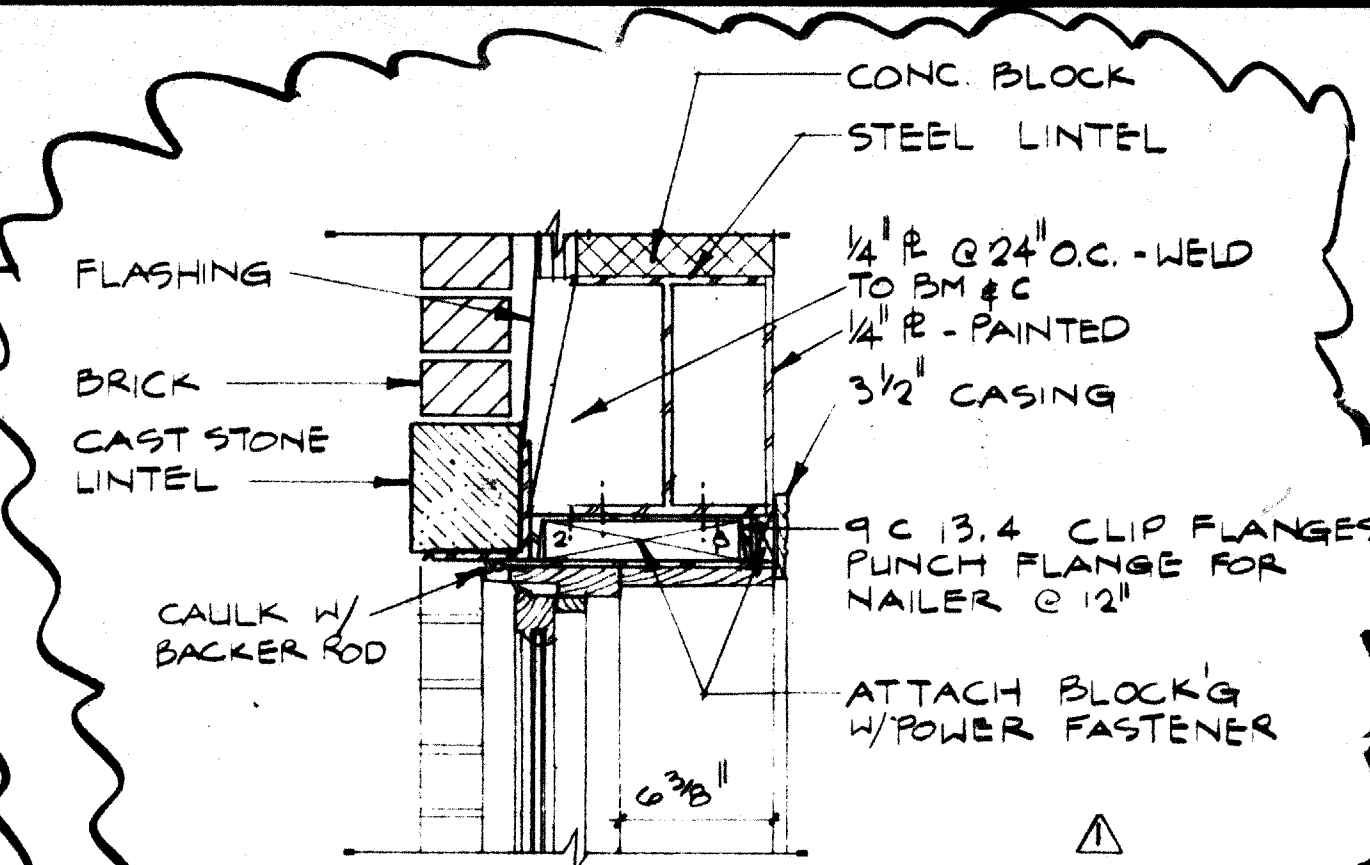
11 DETAIL-WINDOW JAMB
1-1/2" = 1'



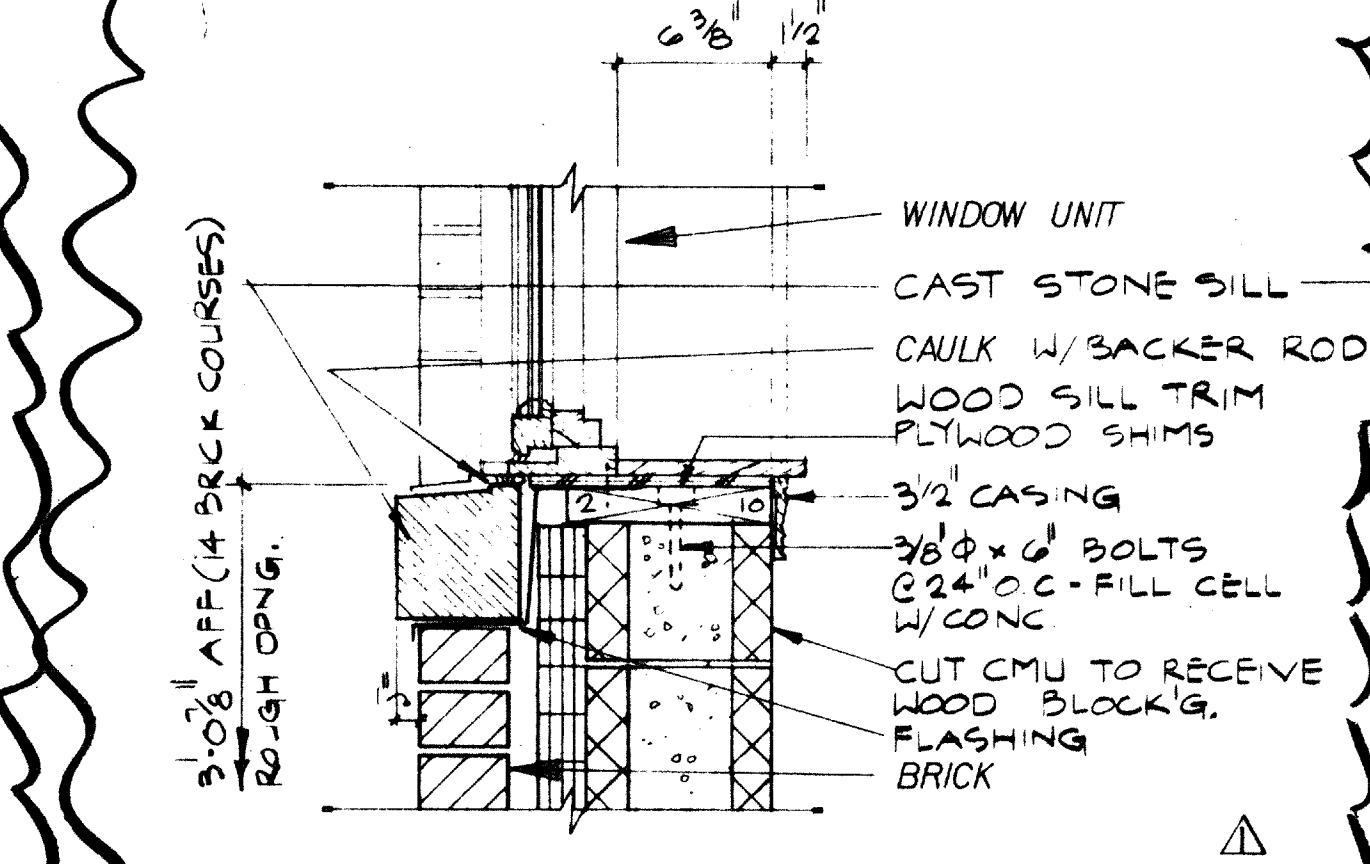
17 DETAIL-DOOR HEAD
1-1/2" = 1'



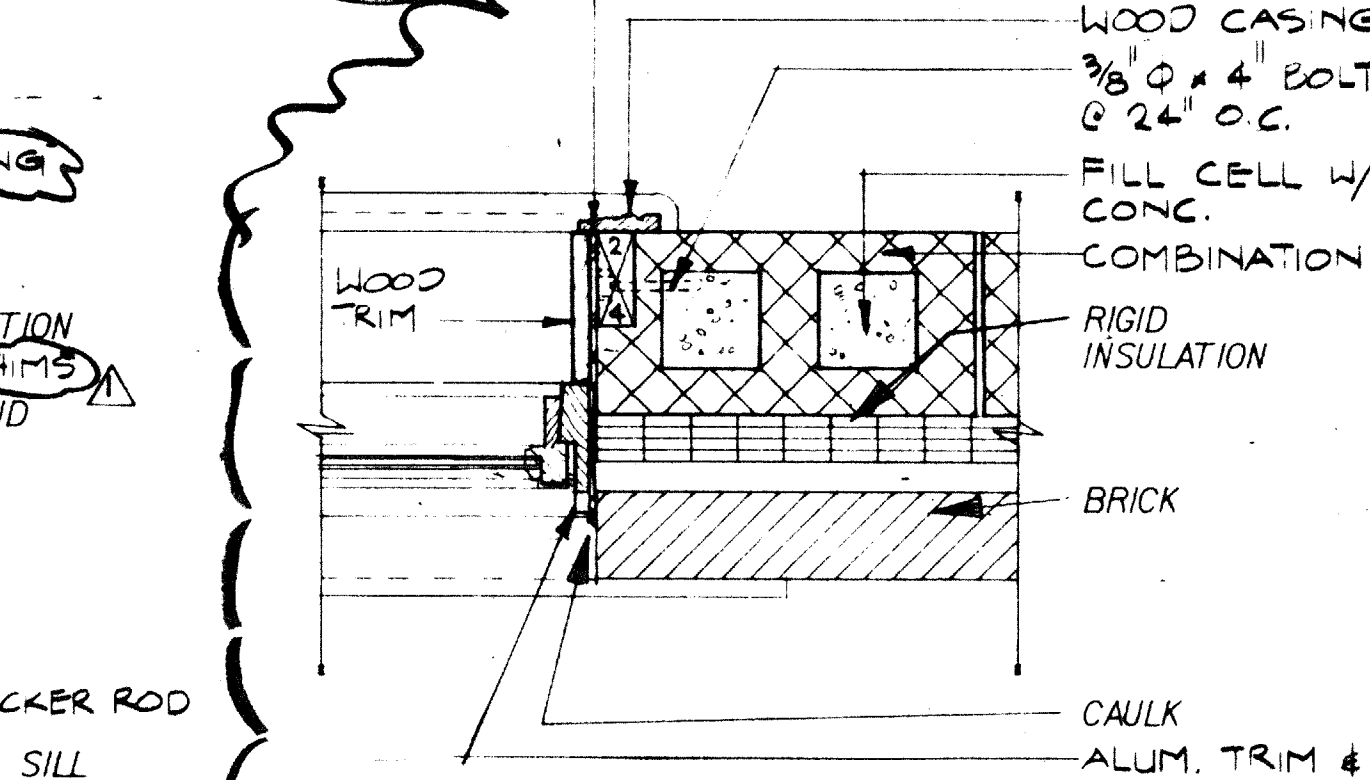
21 DETAIL-DOOR SILL
1-1/2" = 1'



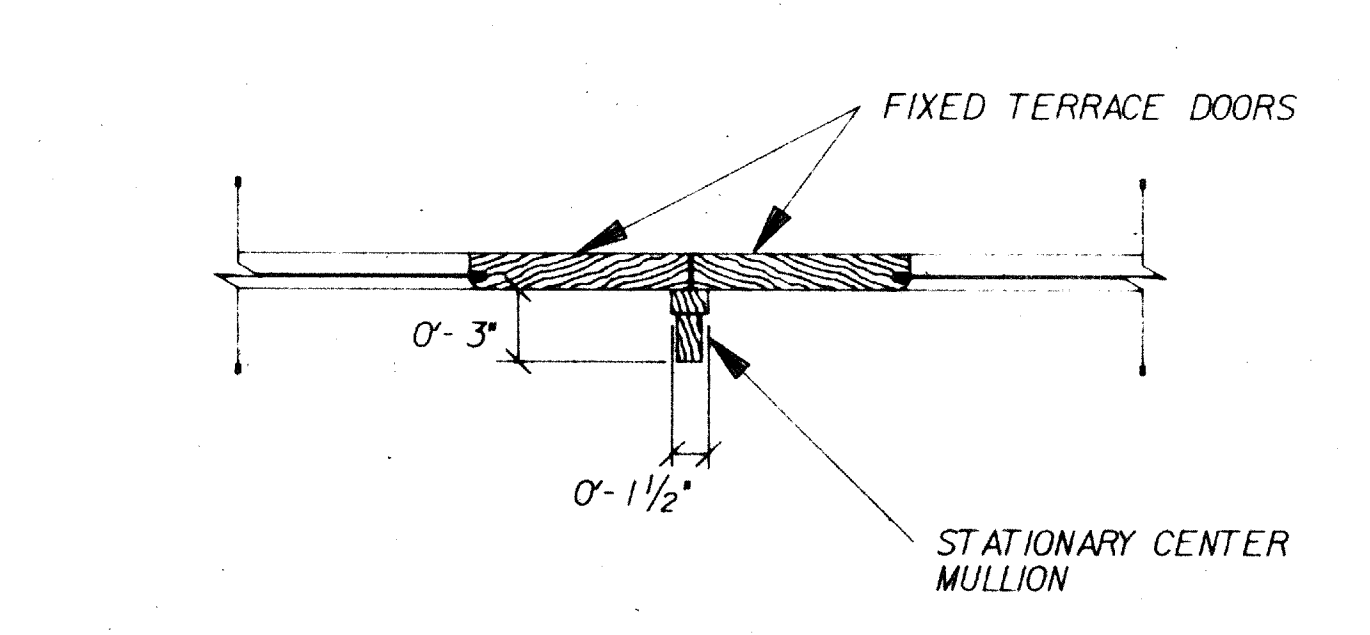
2 DETAIL-WINDOW HEAD
1-1/2" = 1'



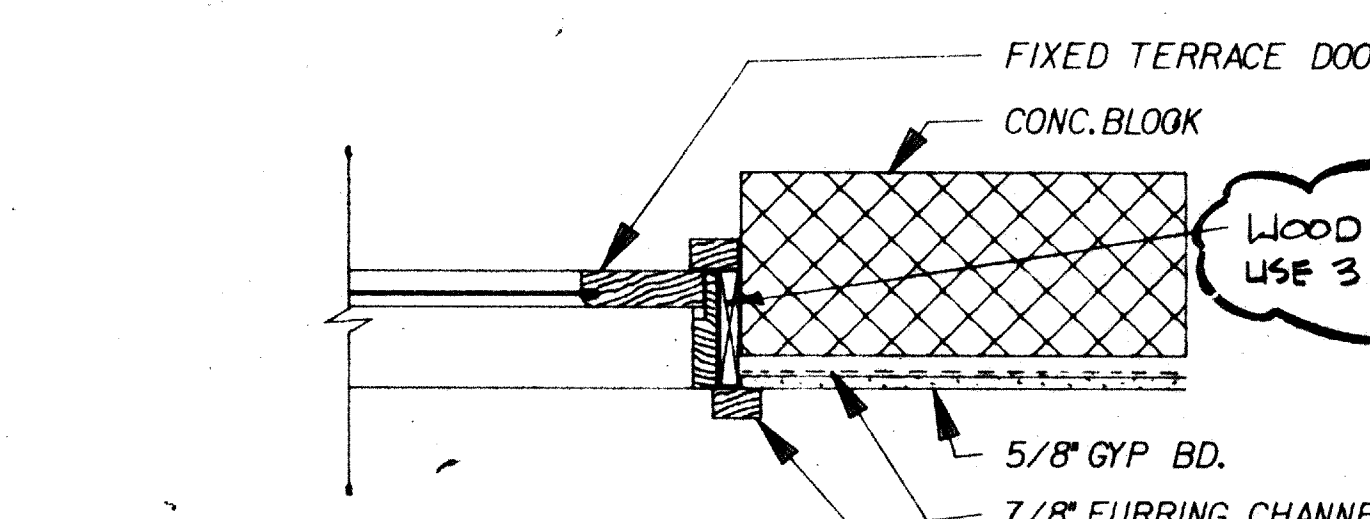
7 DETAIL-WINDOW SILL
1-1/2" = 1'



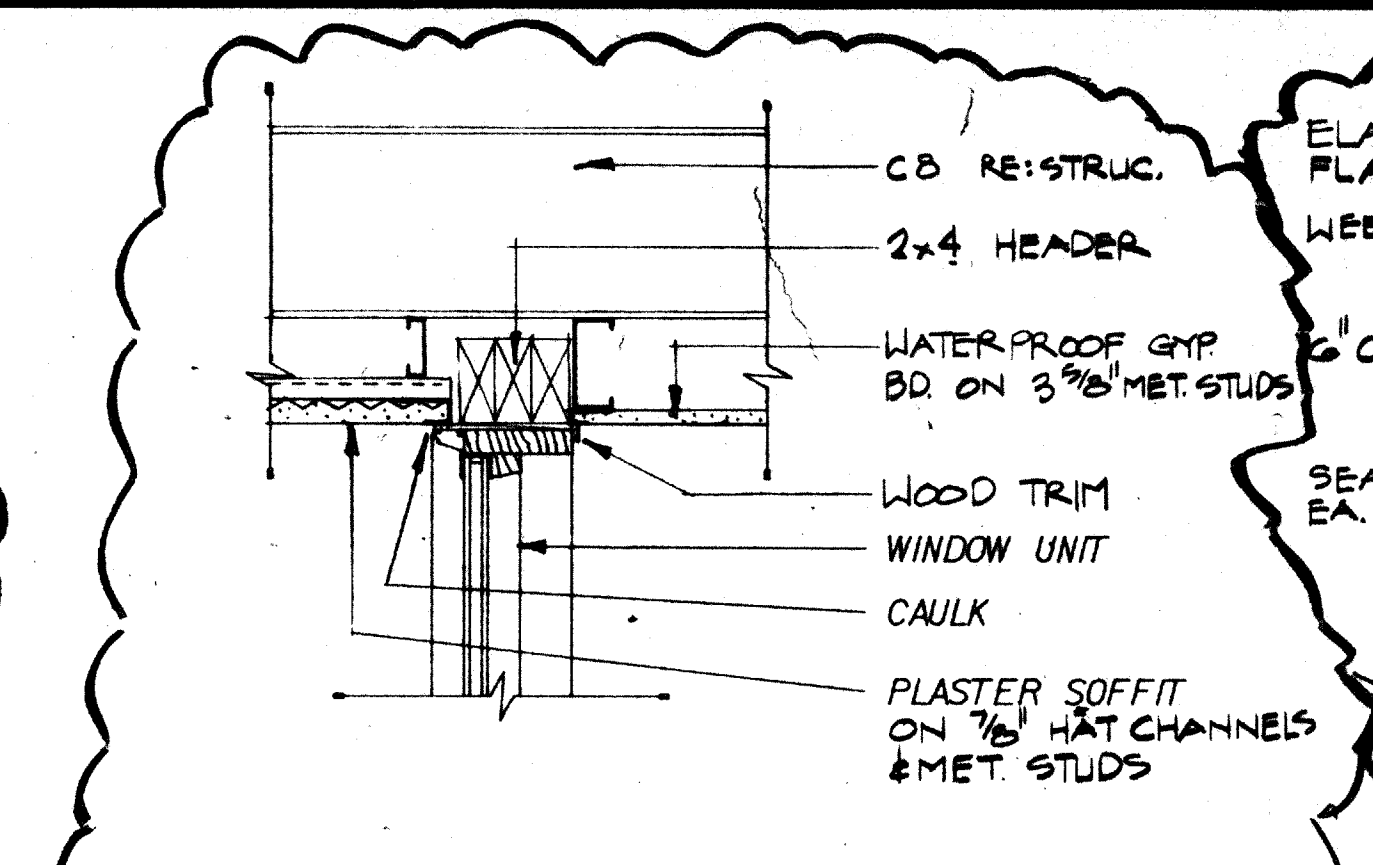
12 DETAIL-WINDOW JAMB
1-1/2" = 1'



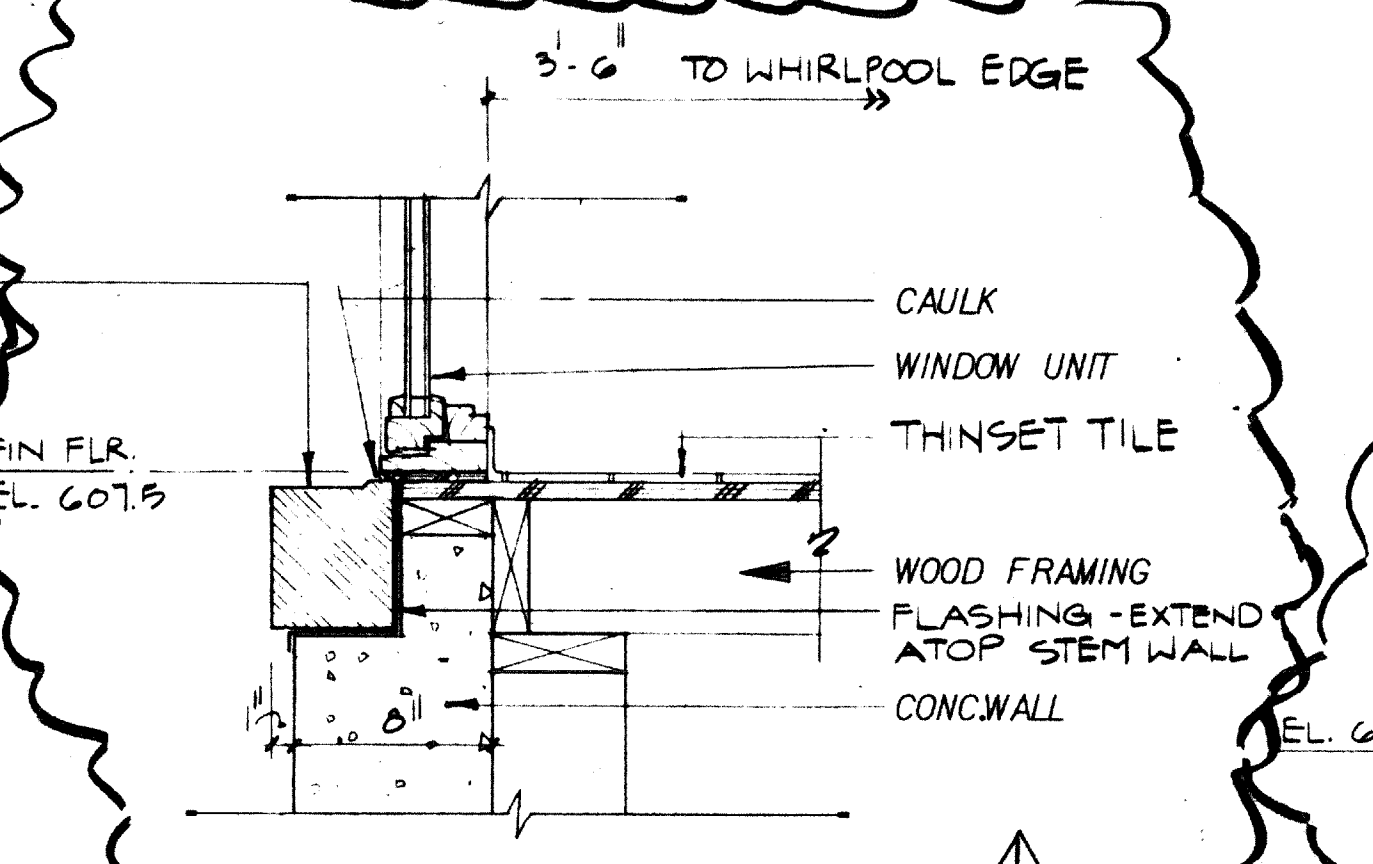
18 DETAIL-DOOR MULLION
1-1/2" = 1'



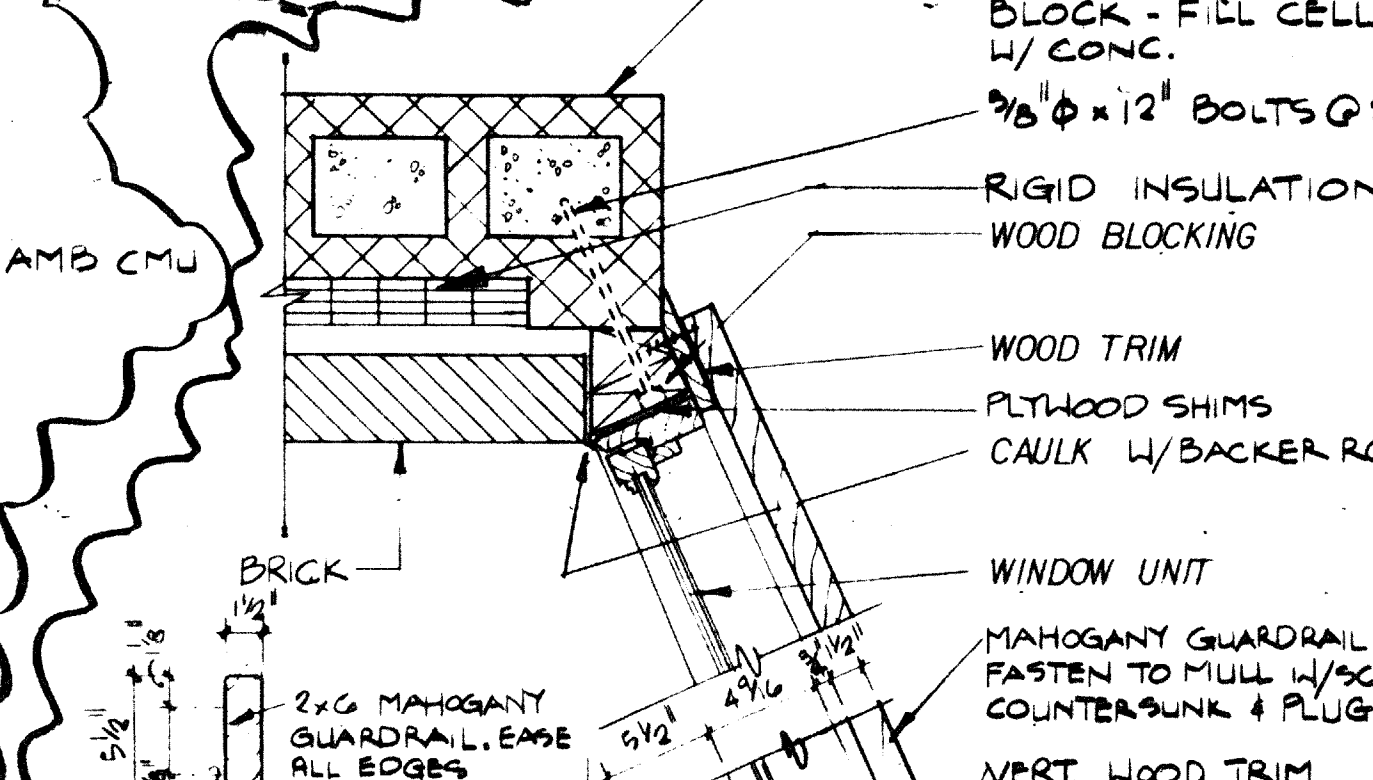
22 DETAIL-DOOR JAMB
1-1/2" = 1'



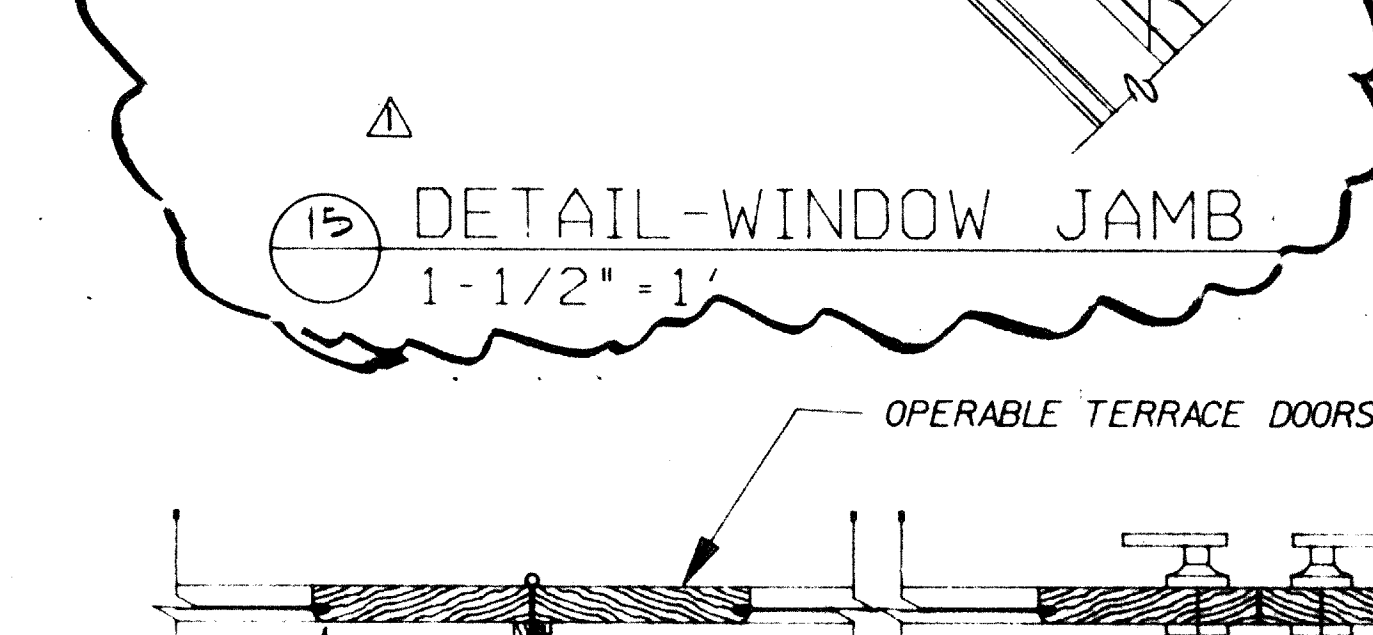
3 DETAIL-WINDOW HEAD
1-1/2" = 1'



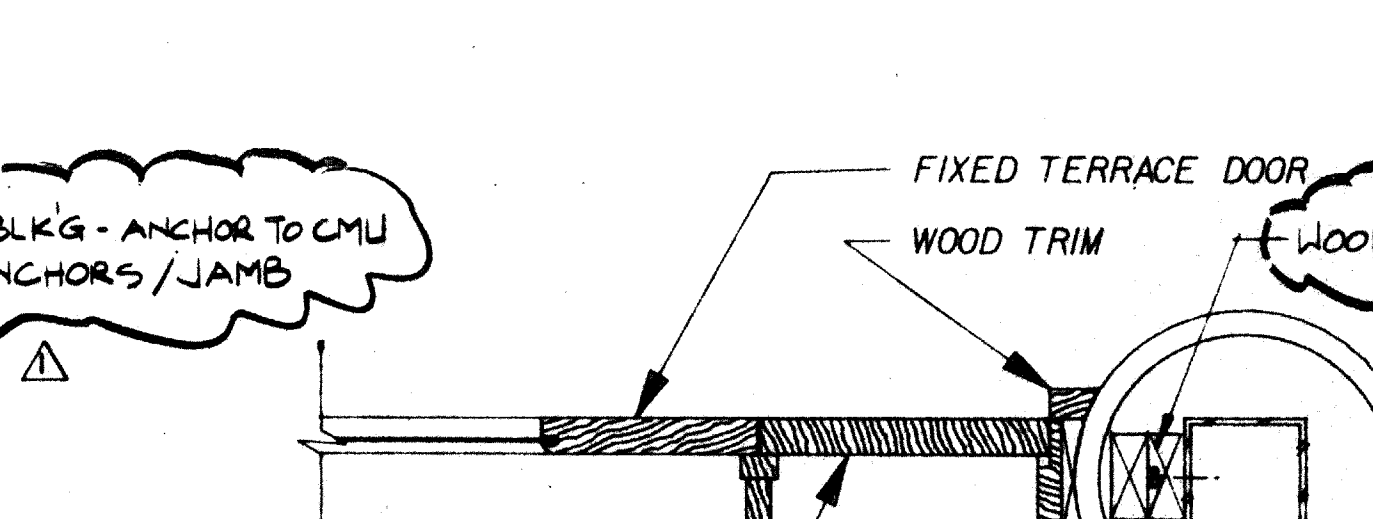
8 DETAIL-WINDOW SILL
1-1/2" = 1'



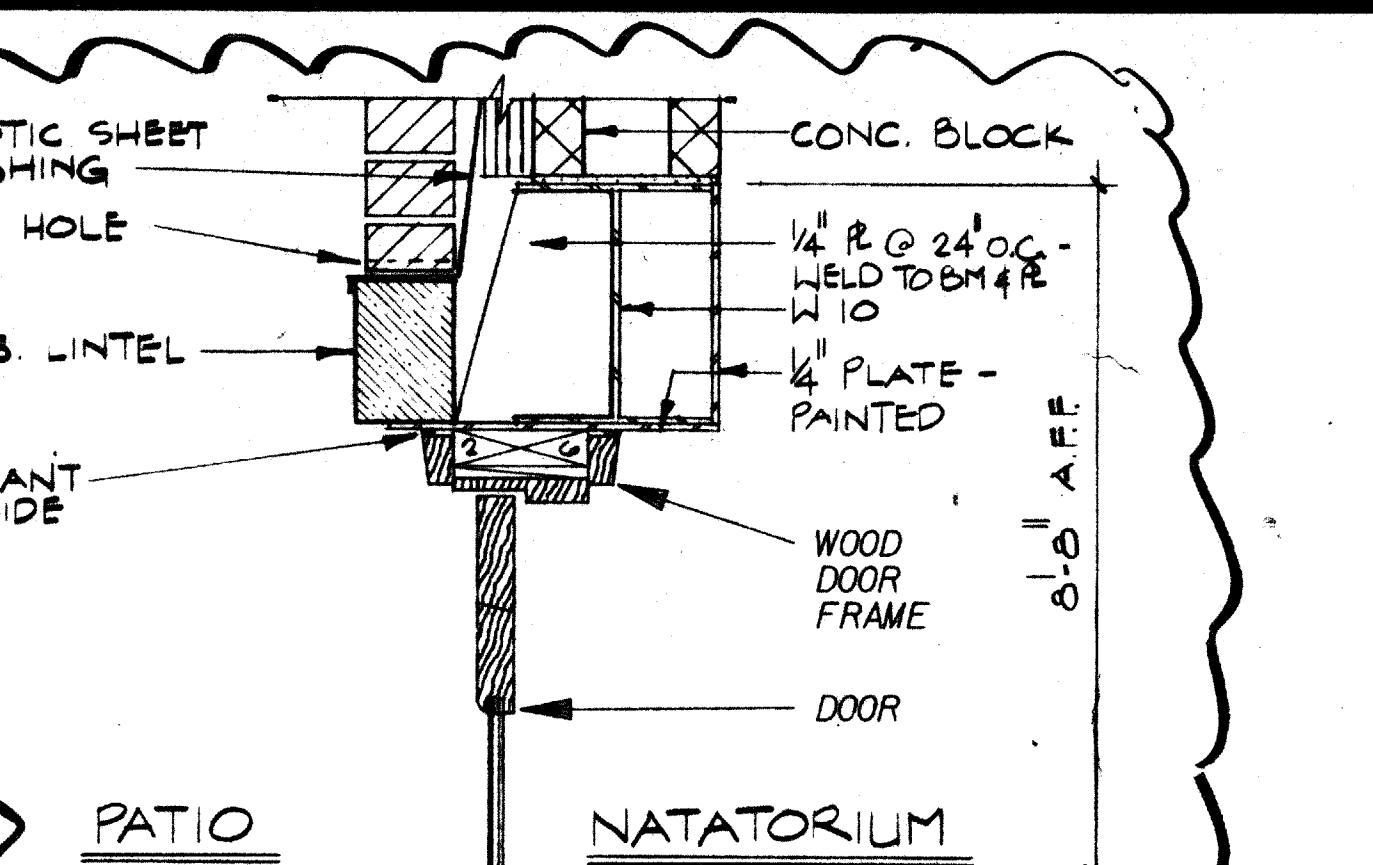
15 DETAIL-WINDOW JAMB
1-1/2" = 1'



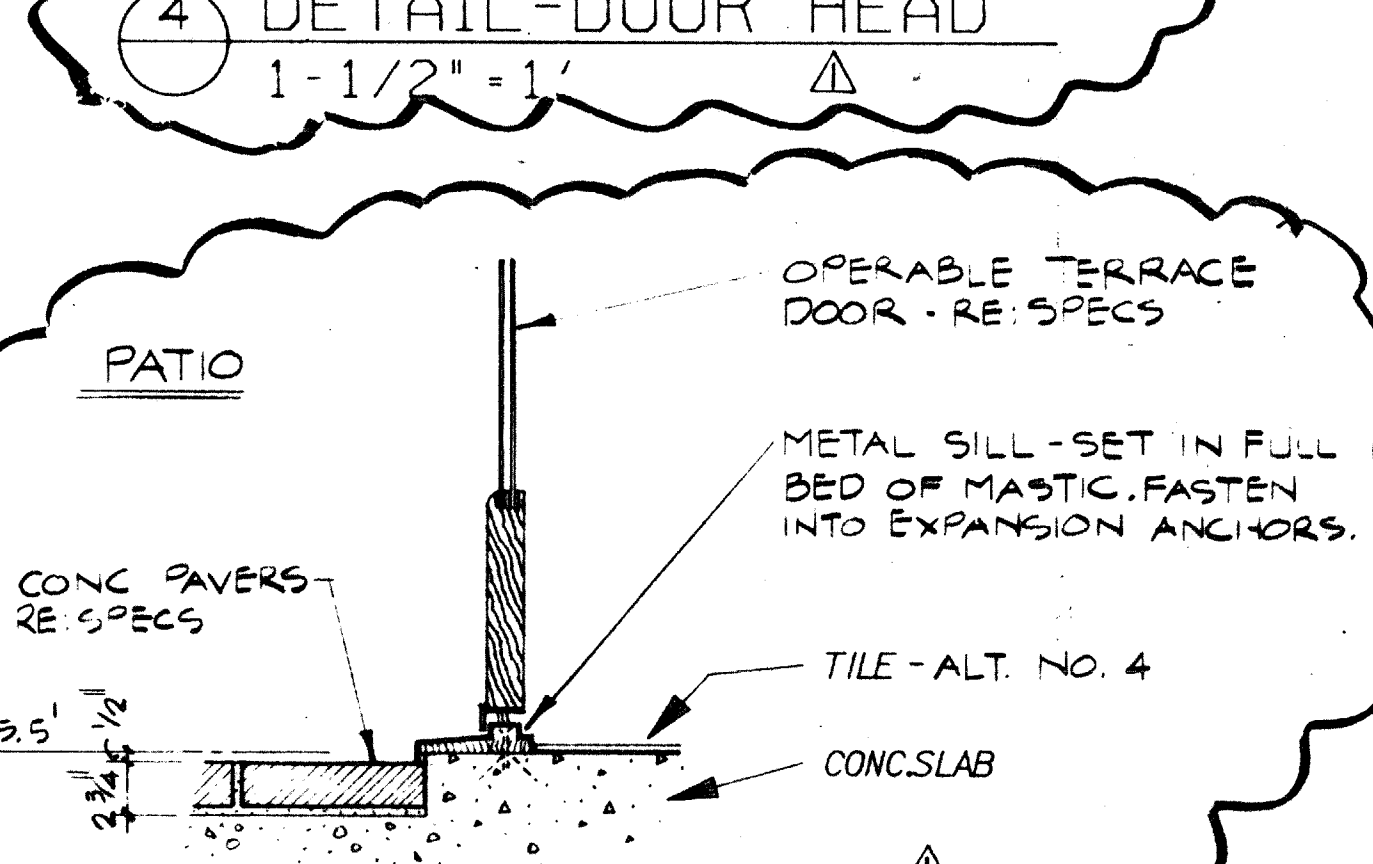
19 DETAIL-DOOR MULLION
1-1/2" = 1'



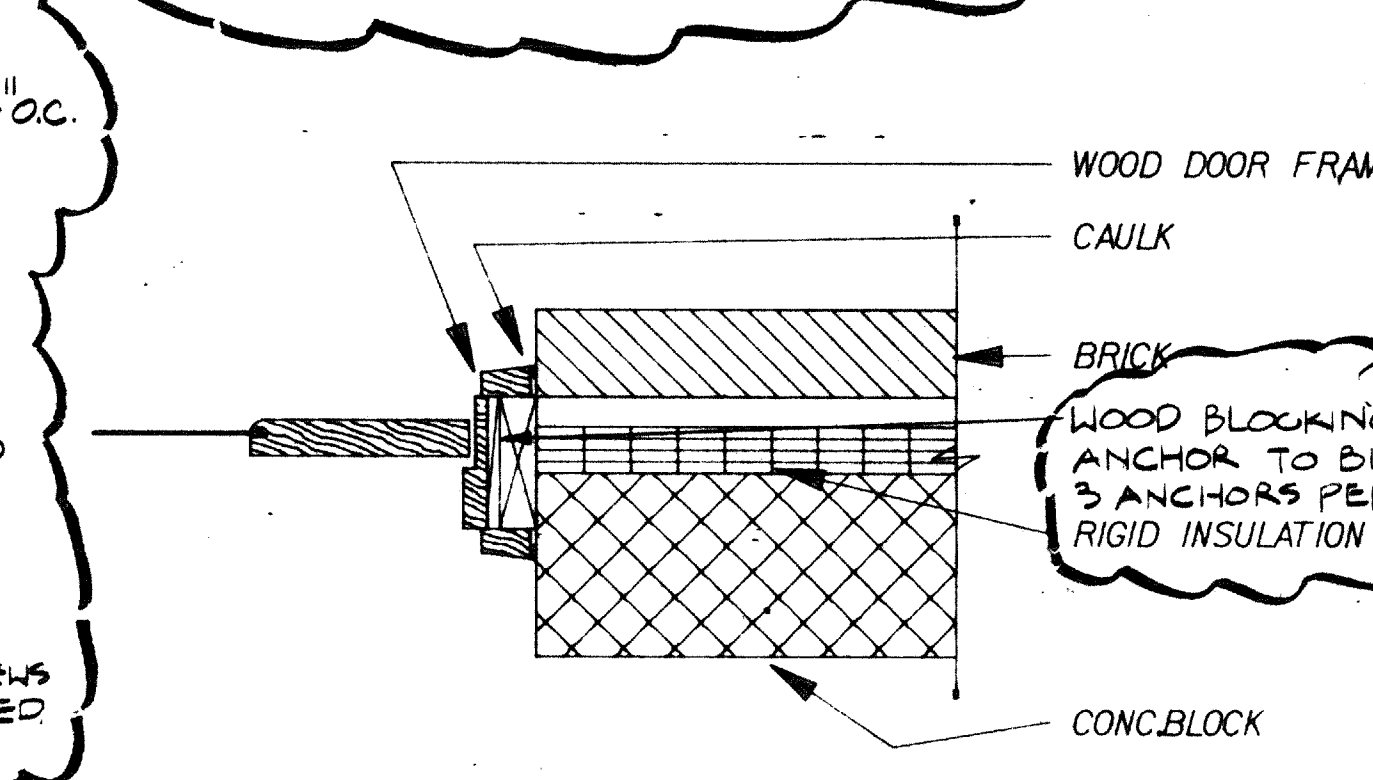
25 DETAIL-DOOR JAMB
1-1/2" = 1'



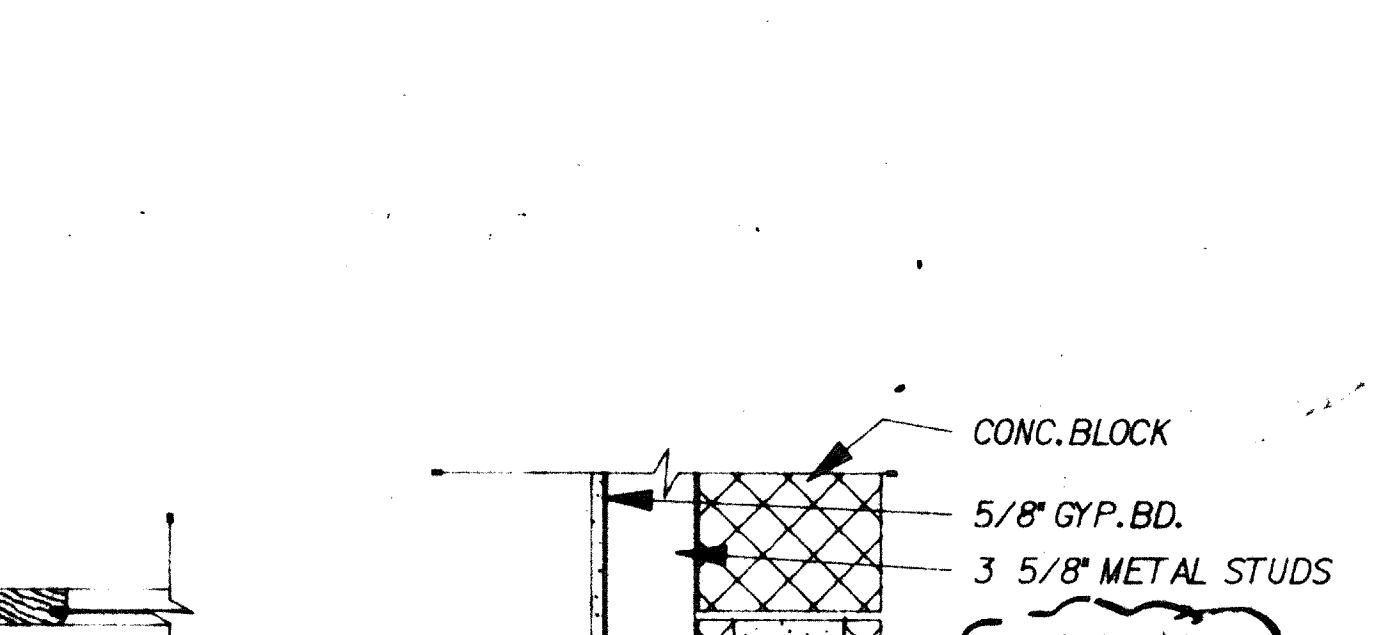
4 DETAIL-DOOR HEAD
1-1/2" = 1'



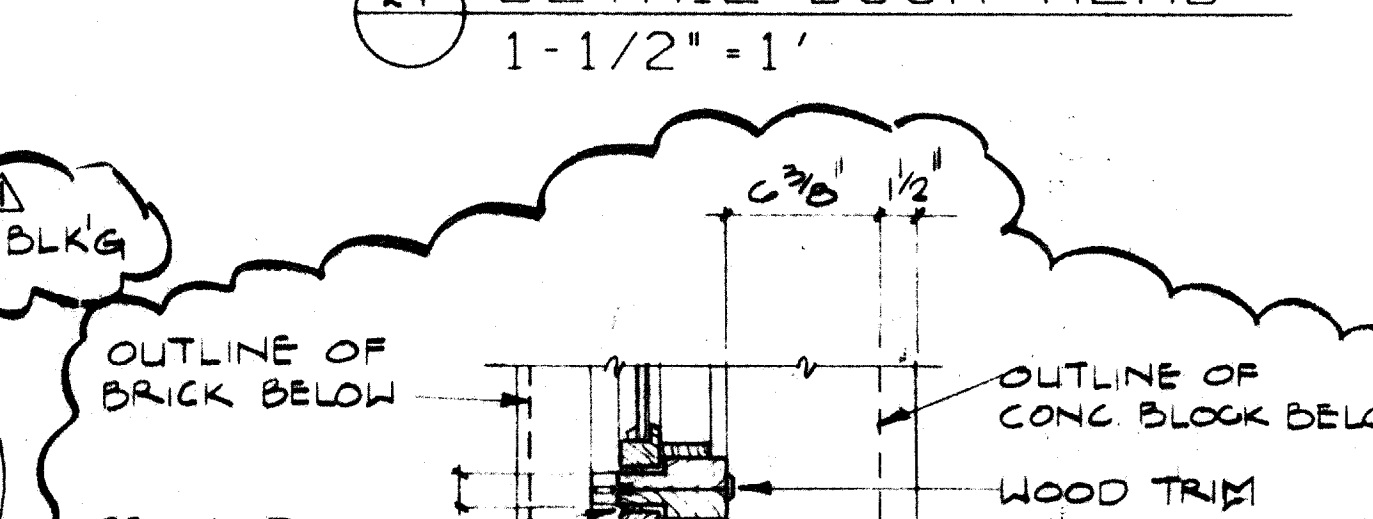
9 DETAIL-DOOR SILL
1-1/2" = 1'



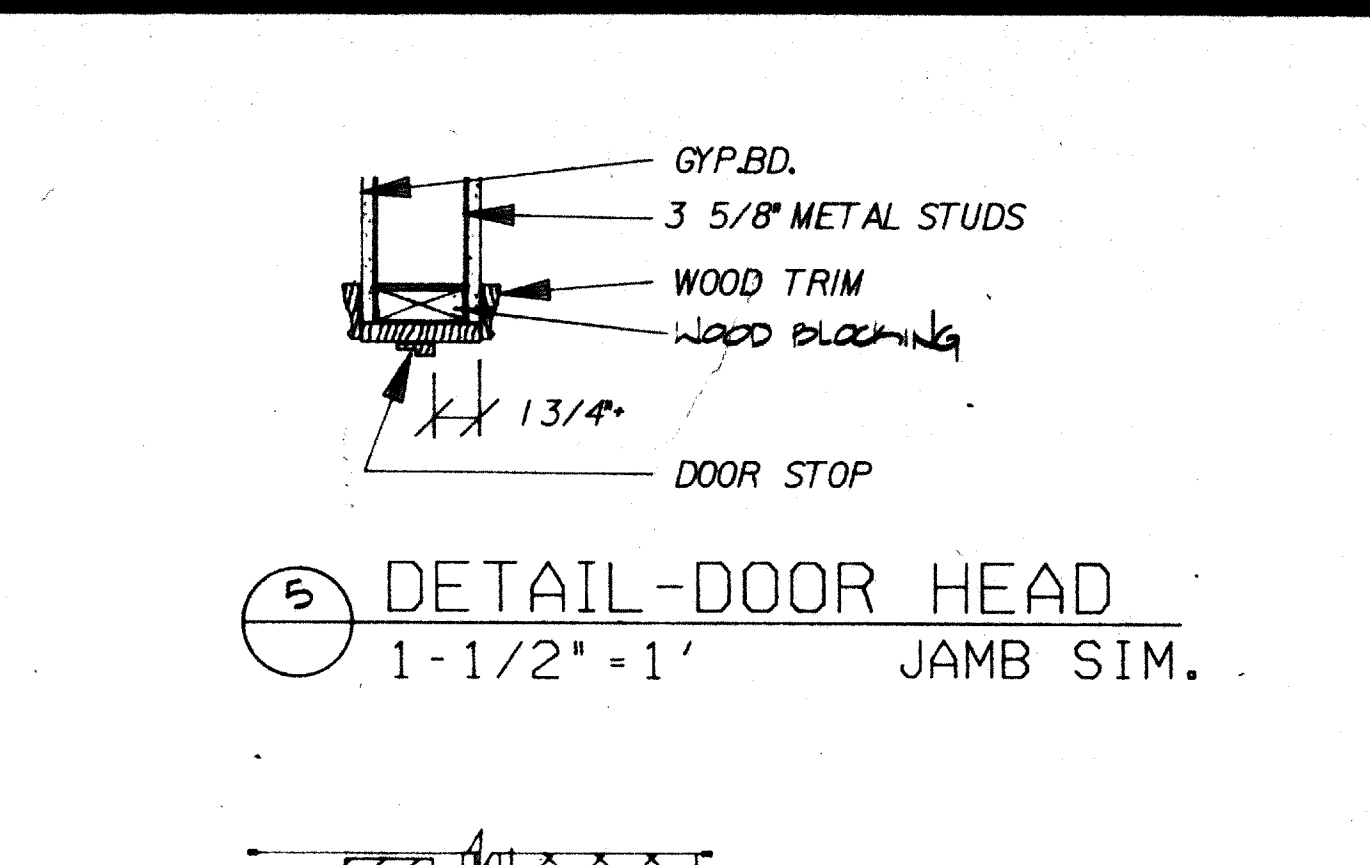
13 DETAIL-DOOR JAMB
1-1/2" = 1'



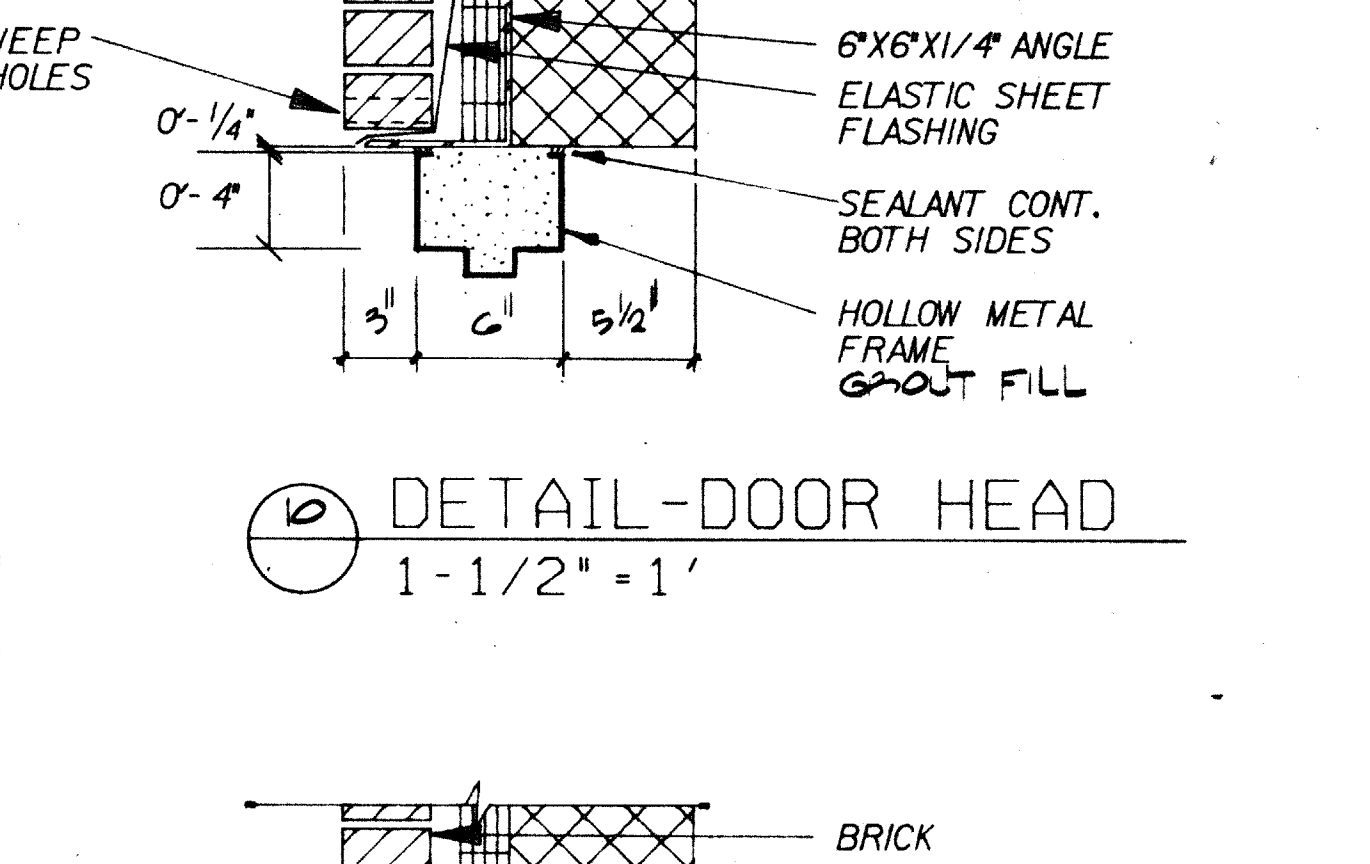
24 DETAIL-DOOR HEAD
1-1/2" = 1'



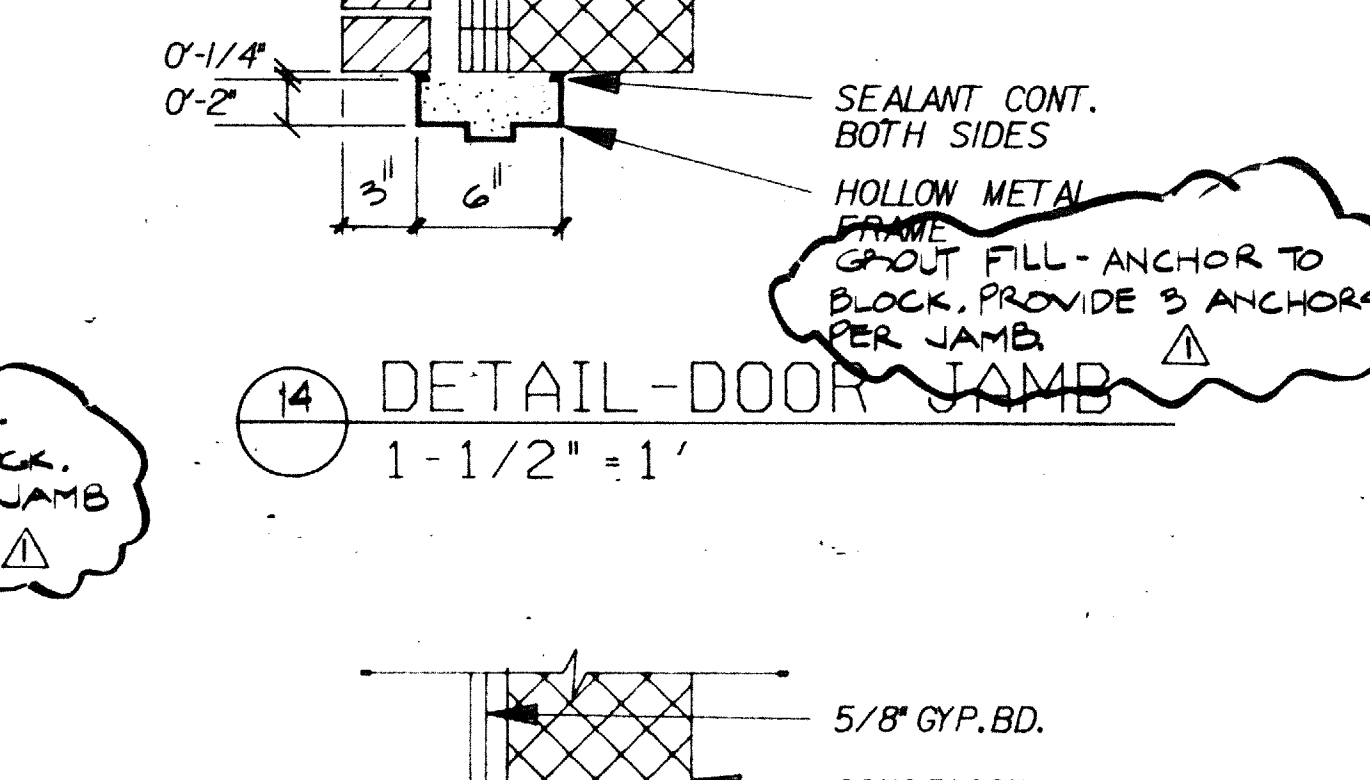
23 DETAIL-WINDOW MULL
1 1/2" = 1'



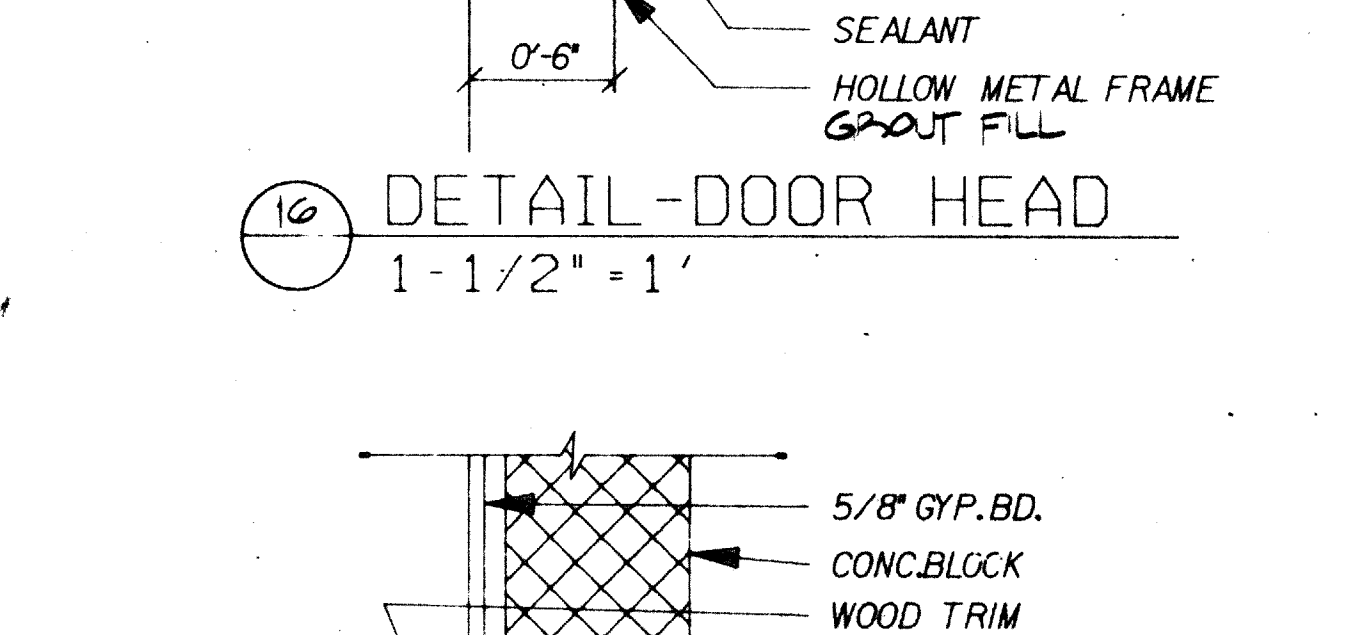
5 DETAIL-DOOR HEAD
1-1/2" = 1' JAMB SIM.



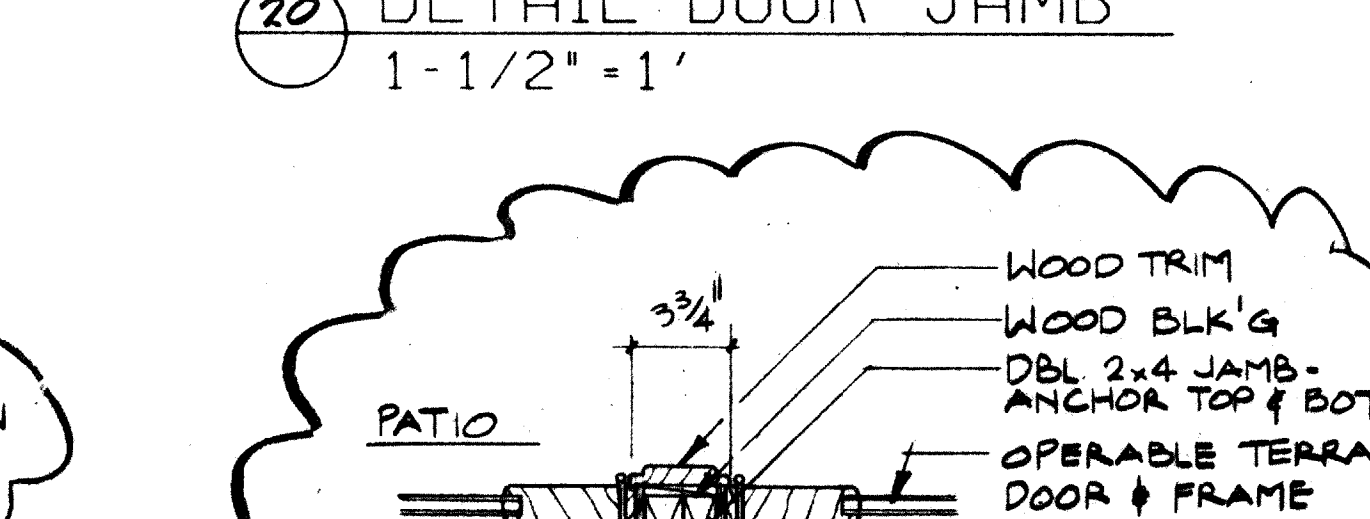
10 DETAIL-DOOR HEAD
1-1/2" = 1'



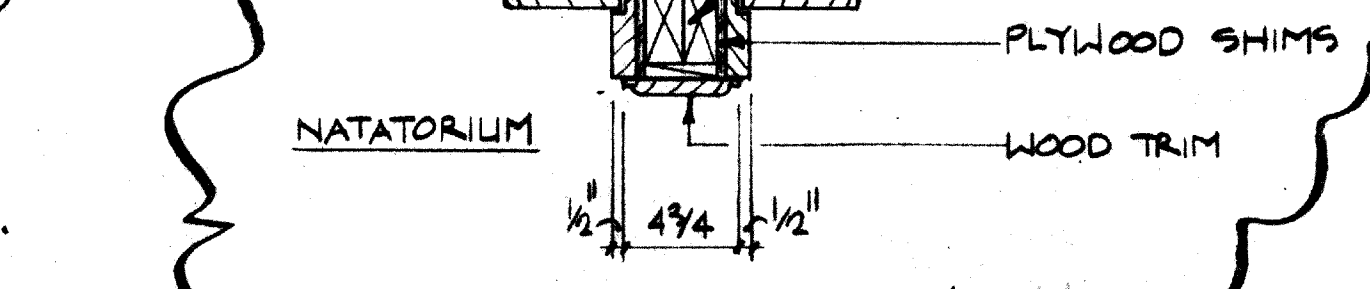
14 DETAIL-DOOR JAMB
1-1/2" = 1'



16 DETAIL-DOOR HEAD
1-1/2" = 1'

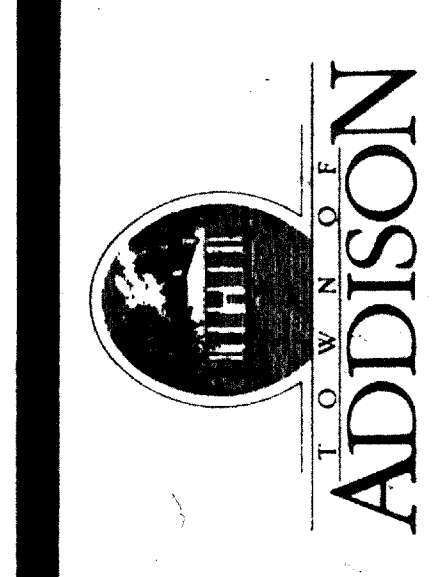


20 DETAIL-DOOR JAMB
1-1/2" = 1'

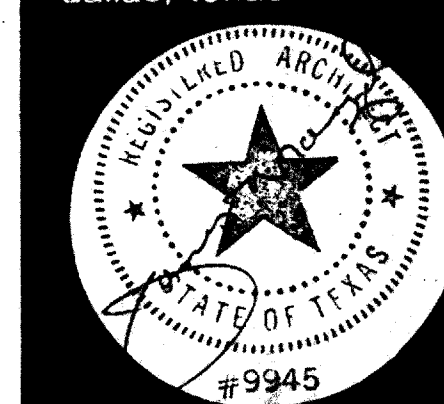


26 DETAIL-DOOR JAMB
1 1/2" = 1'

ADDISON RECREATION CENTER
3900 BELTWAY DRIVE
ADDISON, TEXAS



The Benham Group Dallas
architects
engineers
planners
1341 w. mockingbird ln.
suite 517 e
dallas, texas



DOOR and WINDOW DETAILS

drawn H. HAMILTON
chk'd H. ADAMS
date 3-19-88
revisions

no. date
Δ 4/21/88