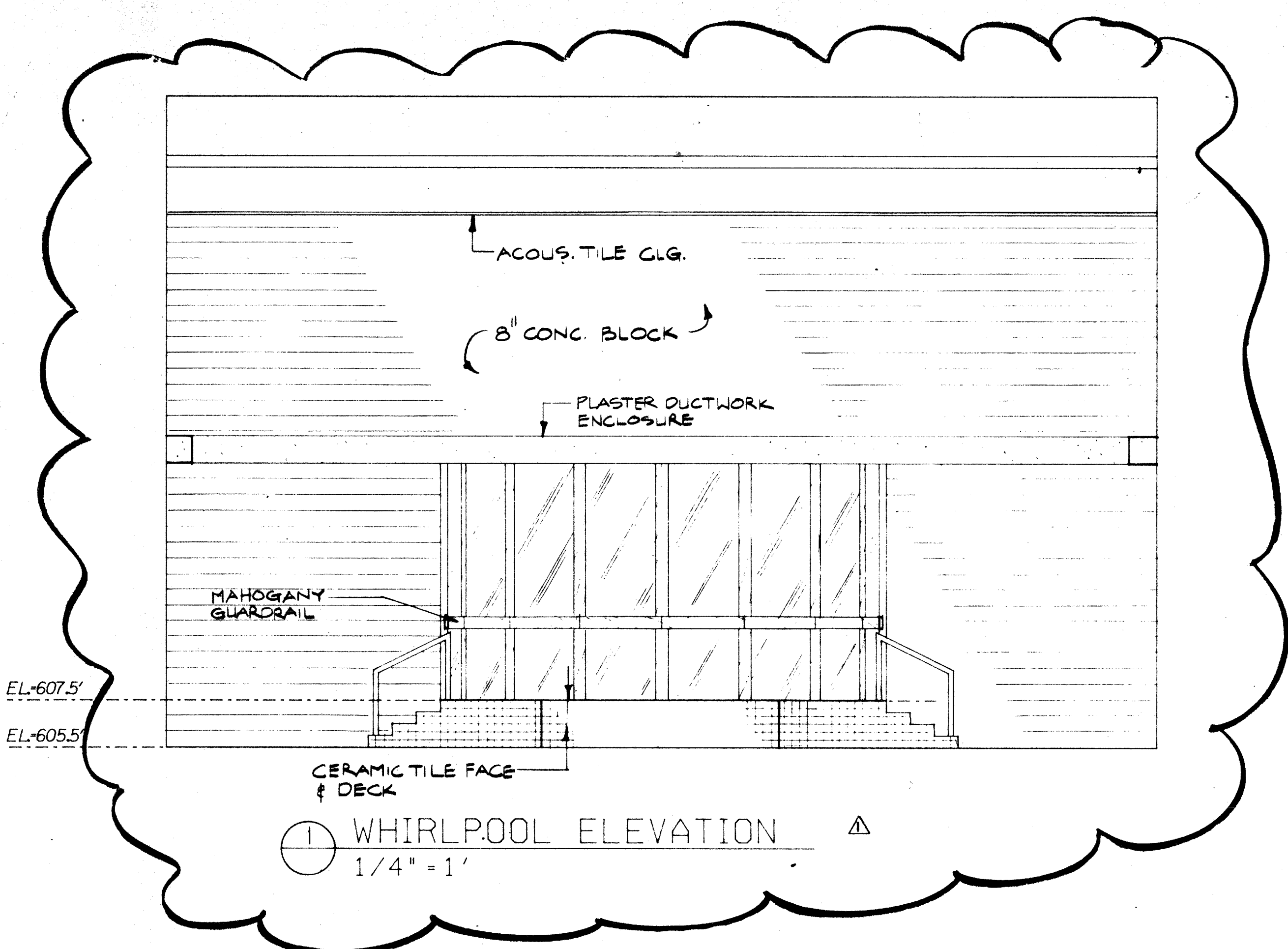
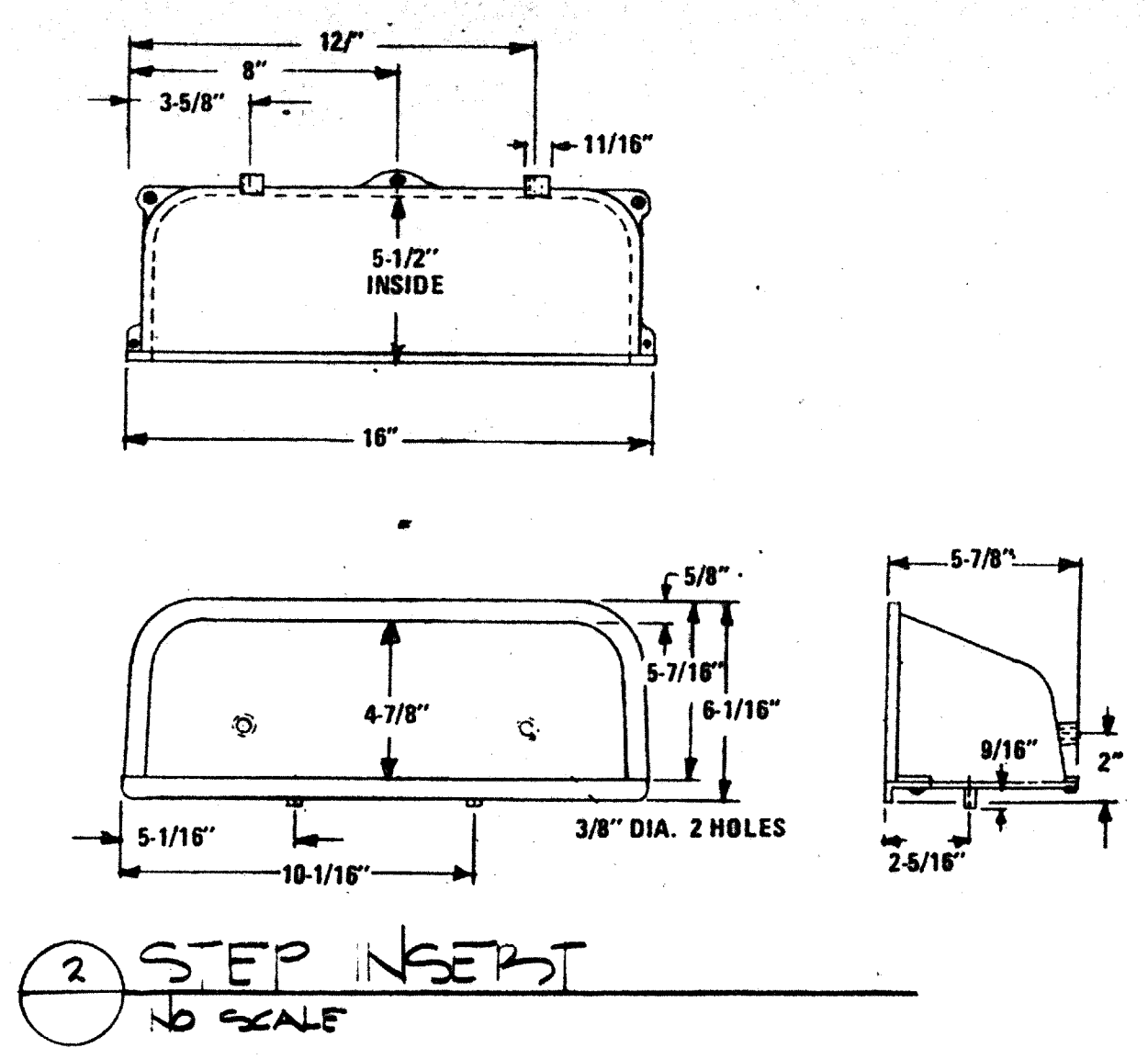


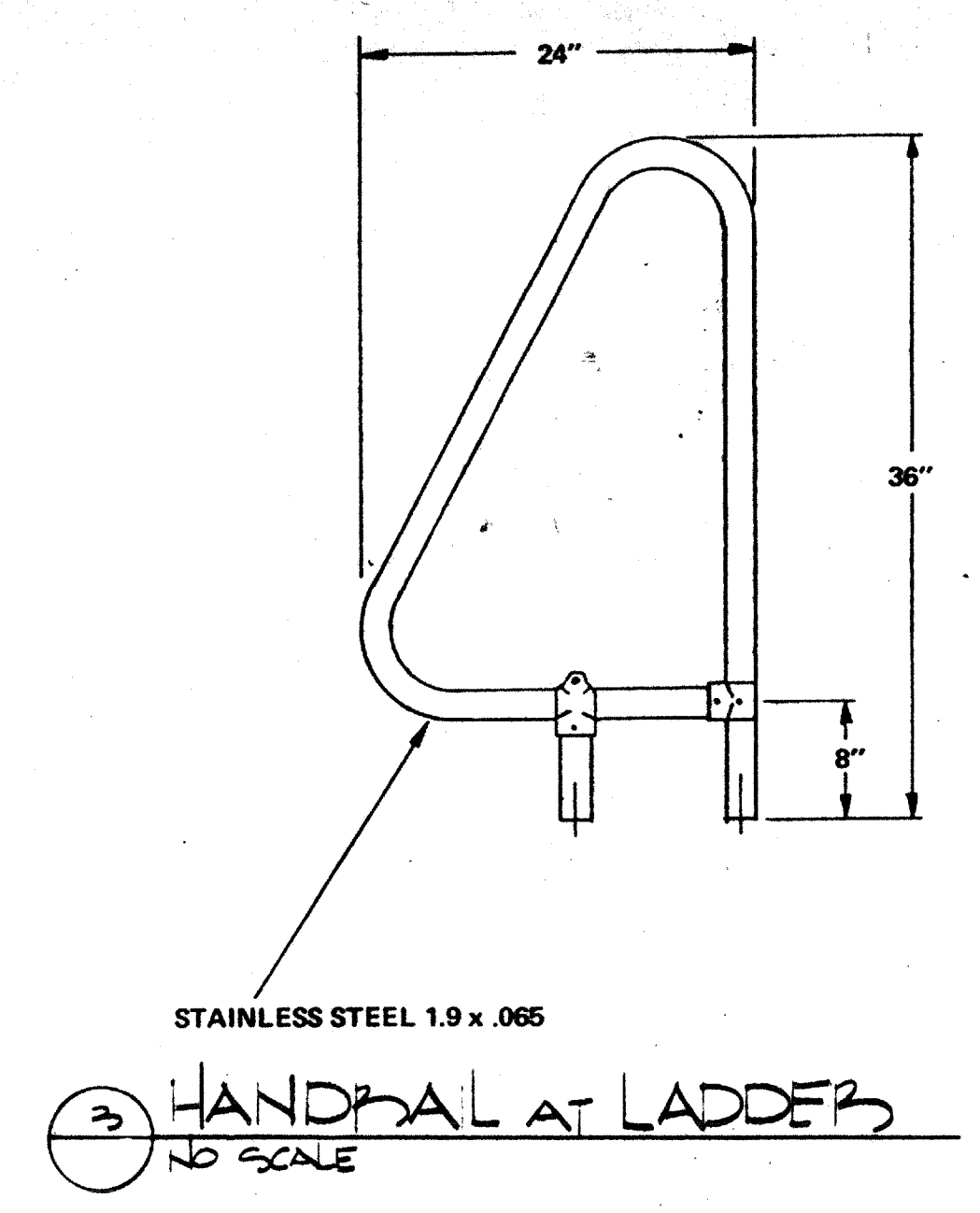
SHEET NO.	
BASE	
C	
D	
E	
F	
G	
H	
I	
J	
K	
L	
M	
N	
O	
P	
Q	
R	
S	
T	
U	
V	
W	
X	
Y	
Z	



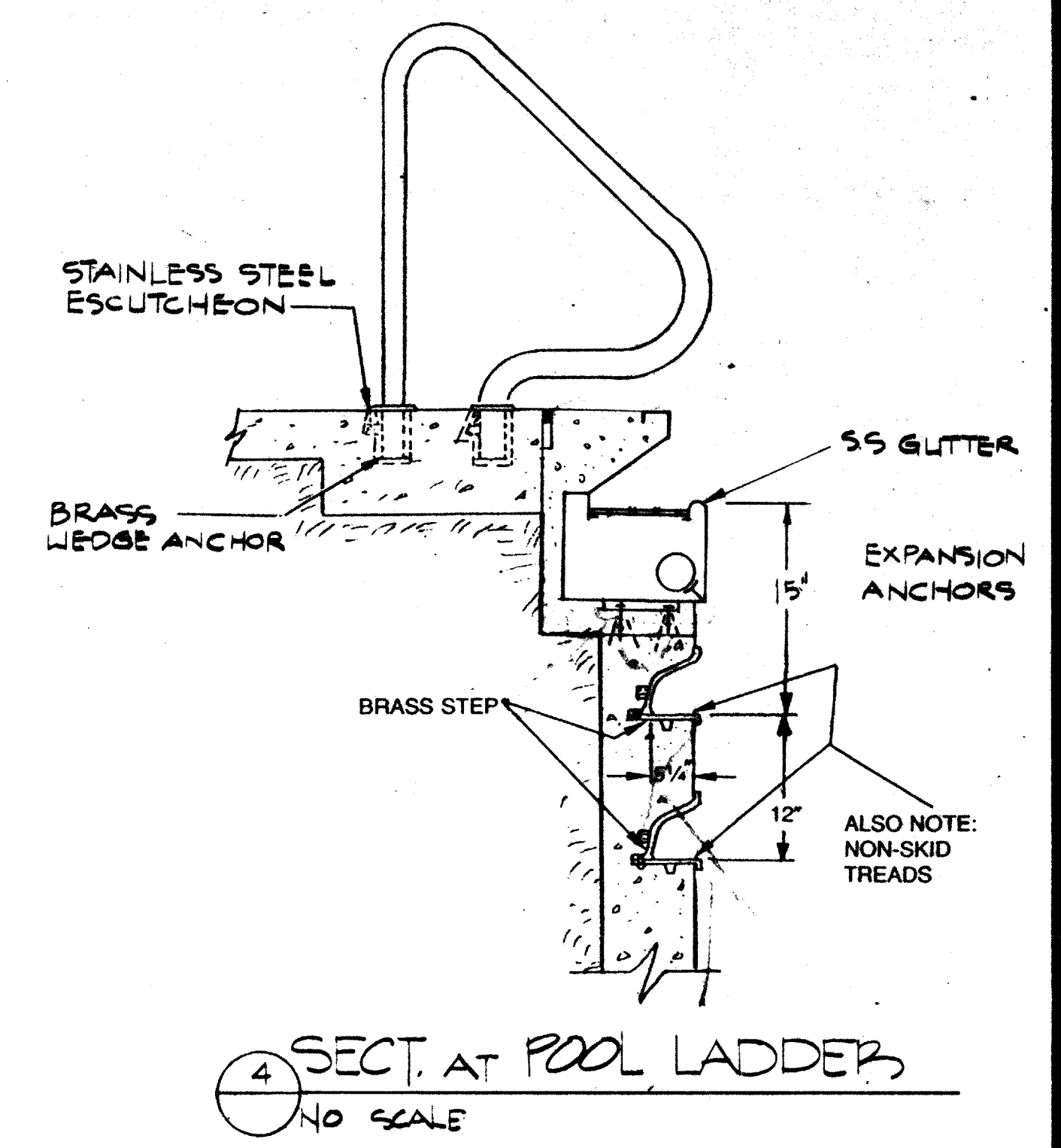
1 WHIRLPOOL ELEVATION  
1/4" = 1'



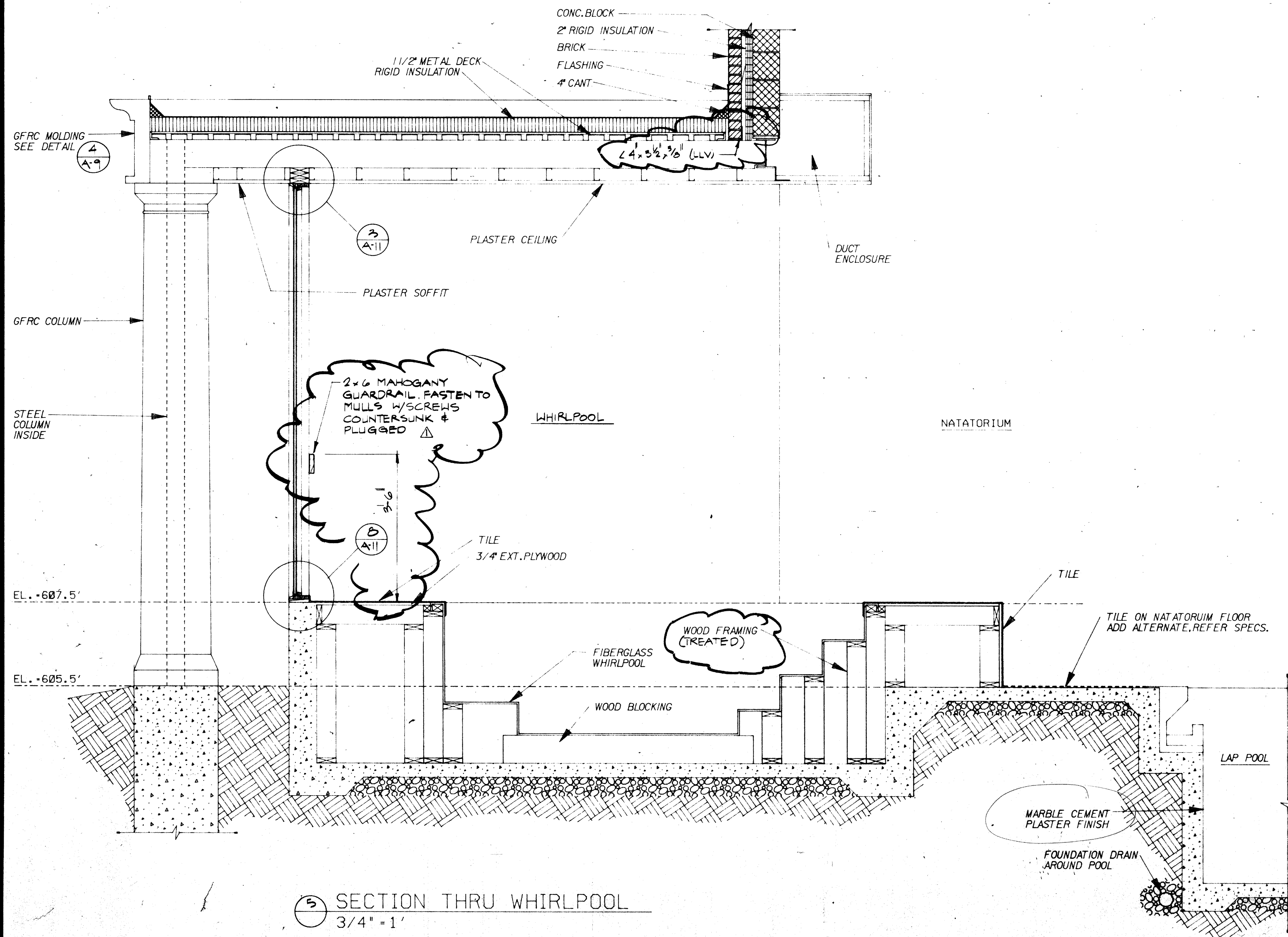
2 STEP INSET  
NO SCALE



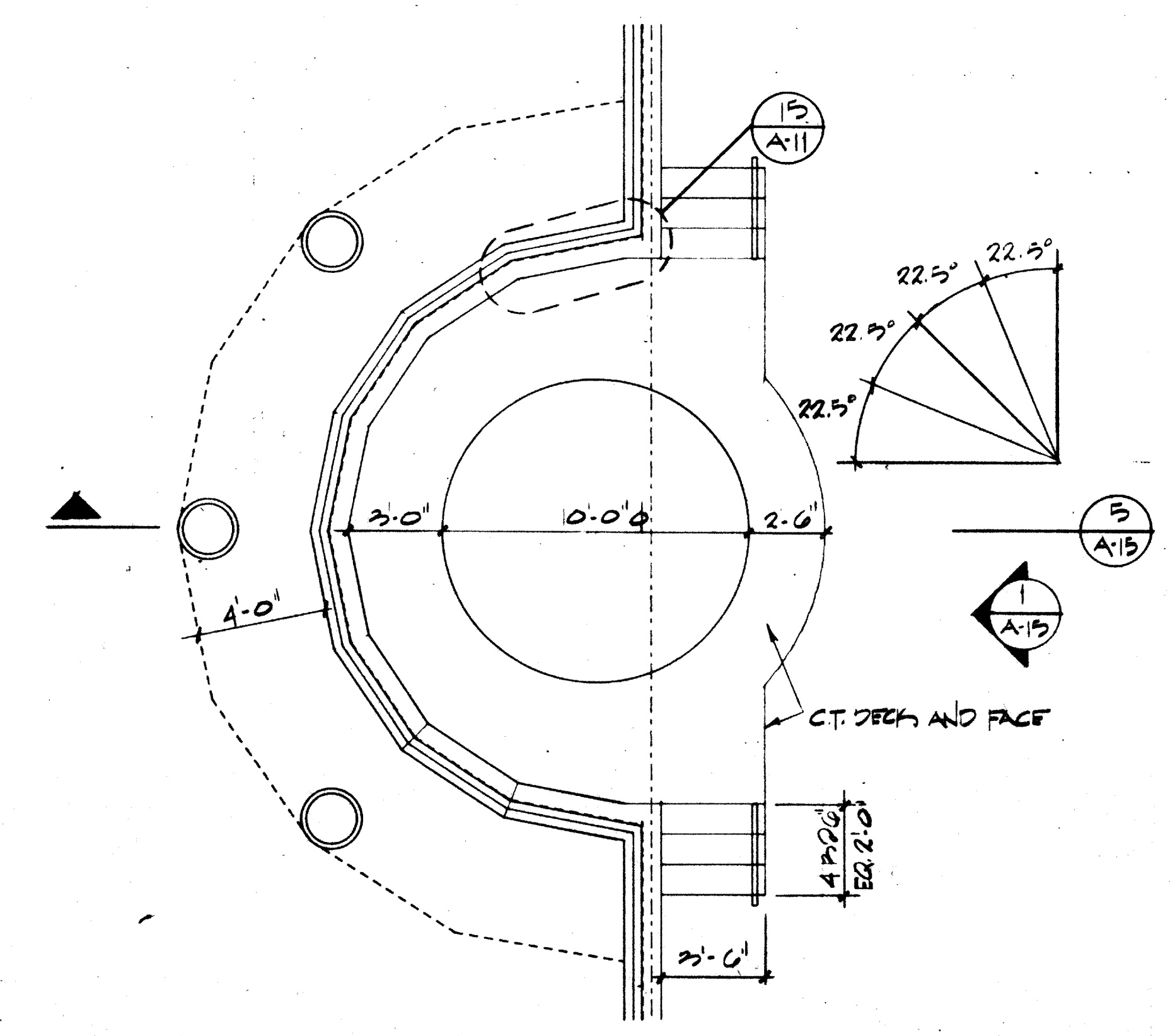
3 HANDRAIL AT LADDERS  
NO SCALE



4 SECT. AT POOL LADDERS  
NO SCALE

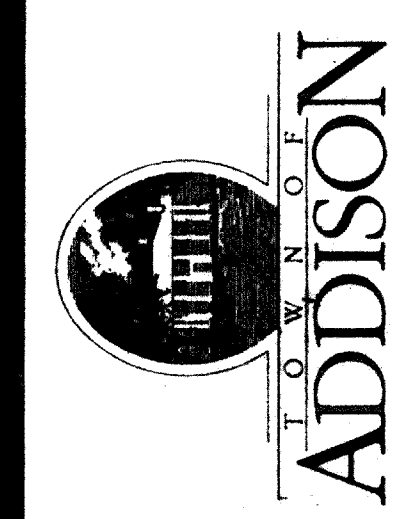


5 SECTION THRU WHIRLPOOL  
3/4" = 1'



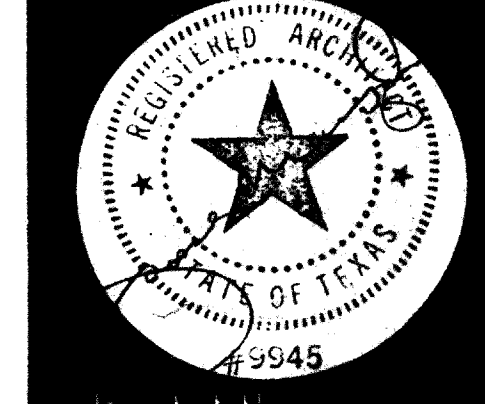
6 WHIRLPOOL PLAN  
1/4" = 1'

**ADDISON RECREATION CENTER**  
3900 BELTWAY DRIVE  
ADDISON, TEXAS



**The Benham Group**  
Dallas

architects  
engineers  
planners  
1341 w. mockingbird ln.  
suite 517 e  
dallas, texas



POOL SECTIONS and DETAILS

drawn H. HAMILTON  
chkd H. ADAMS  
date 3-19-88

no. date  
Δ 4/21/86

sheet of **A-15**