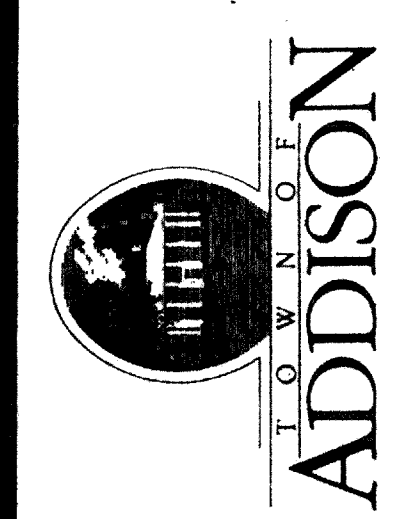
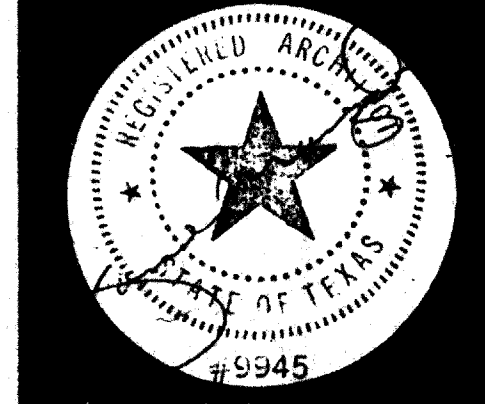


SHEET NO.	
BASE	
DATE	
COMPOSITE	
REV.	
DATE	
BY	
CHKD.	
DATE	
BY	
CHKD.	
DATE	
BY	
CHKD.	
DATE	

ADDISON RECREATION CENTER
 3900 BELTWAY DRIVE
 ADDISON, TEXAS



The Benham Group Dallas
 architects
 engineers
 planners
 1341 w. mockingbird ln.
 suite 517 e
 dallas, texas



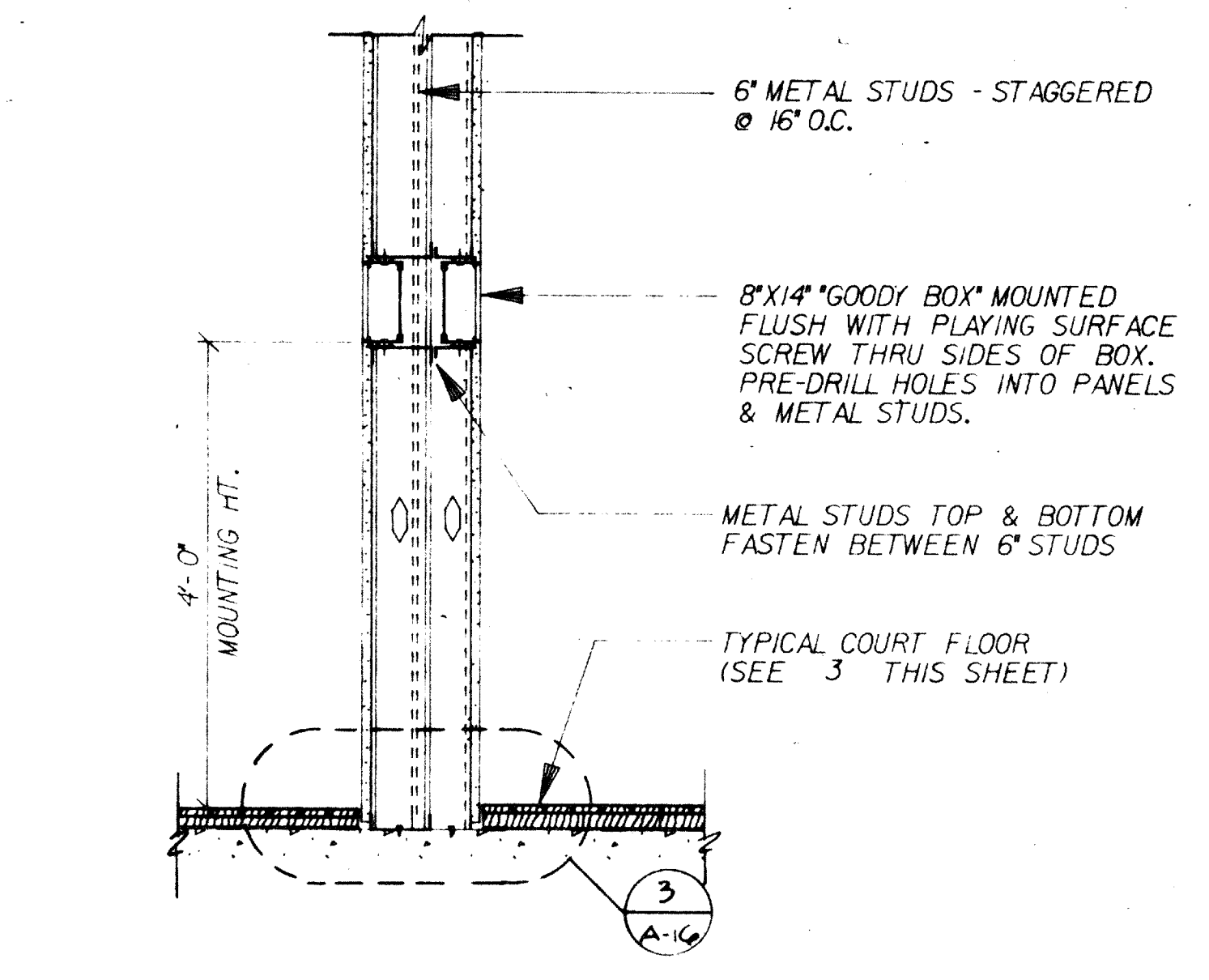
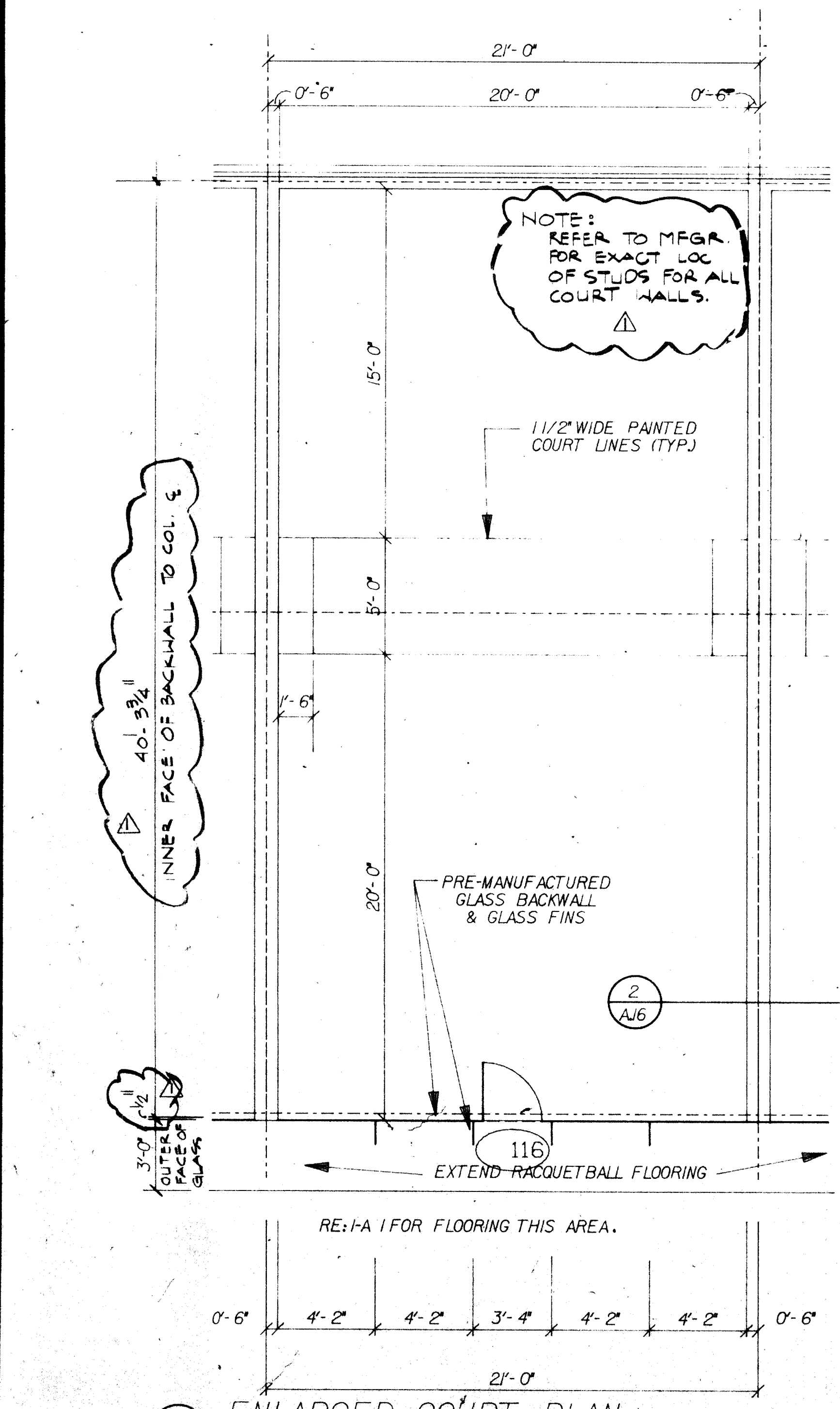
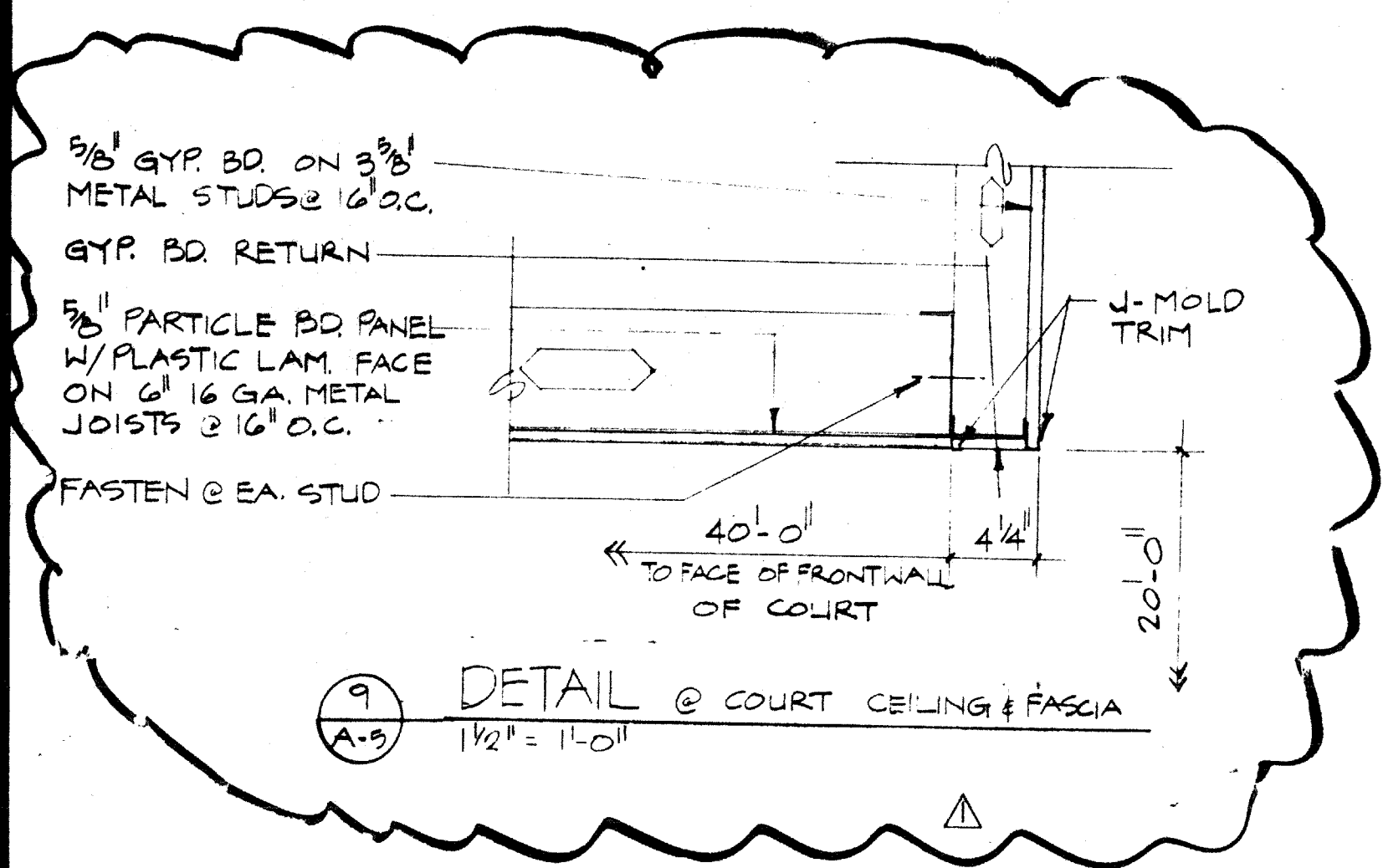
RACQUETBALL and GYMNASIUM DETAILS

drawn **M. BRENGHLEY**
 checked **H. ADAMS**
 date **3-10-88**

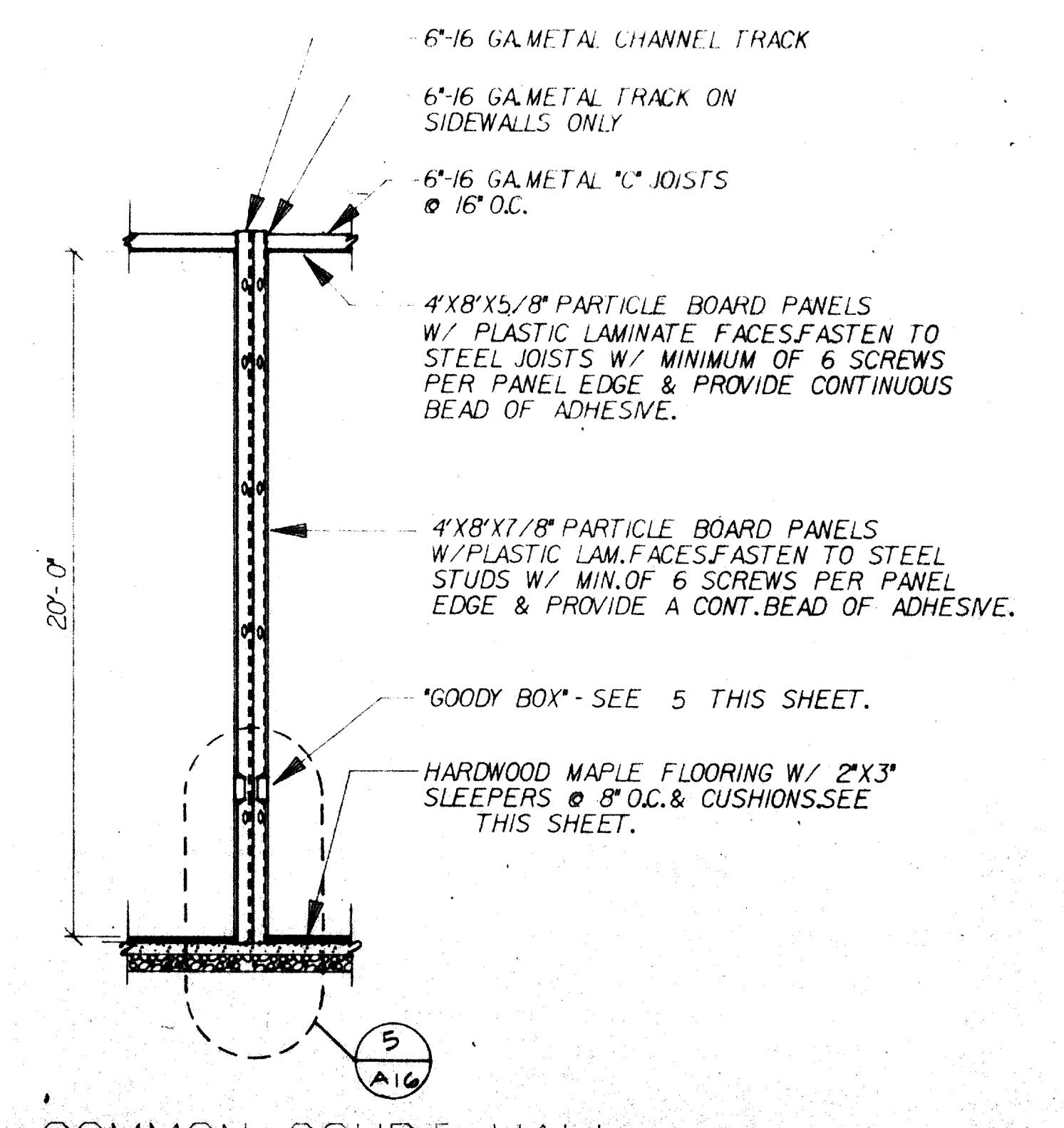
revisions

no. **1** date **4/21/86**

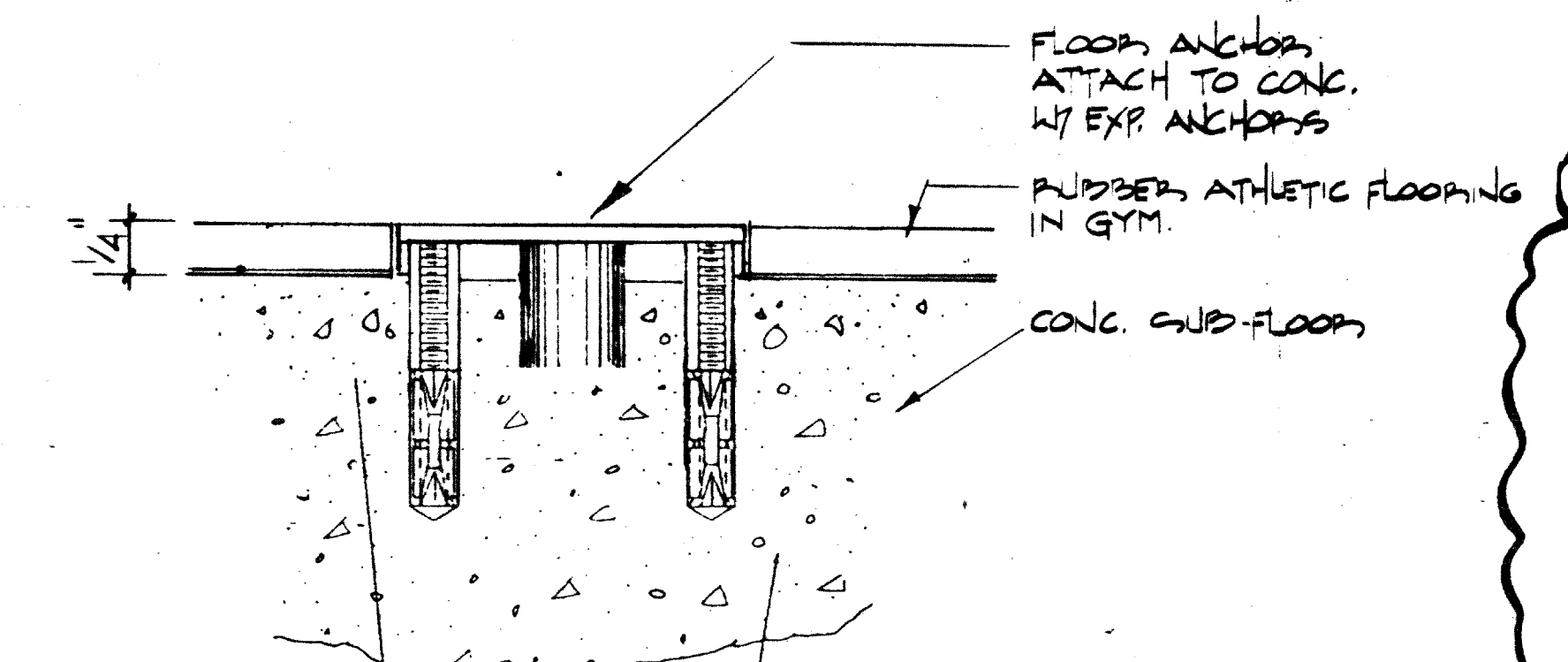
sheet **A-16**



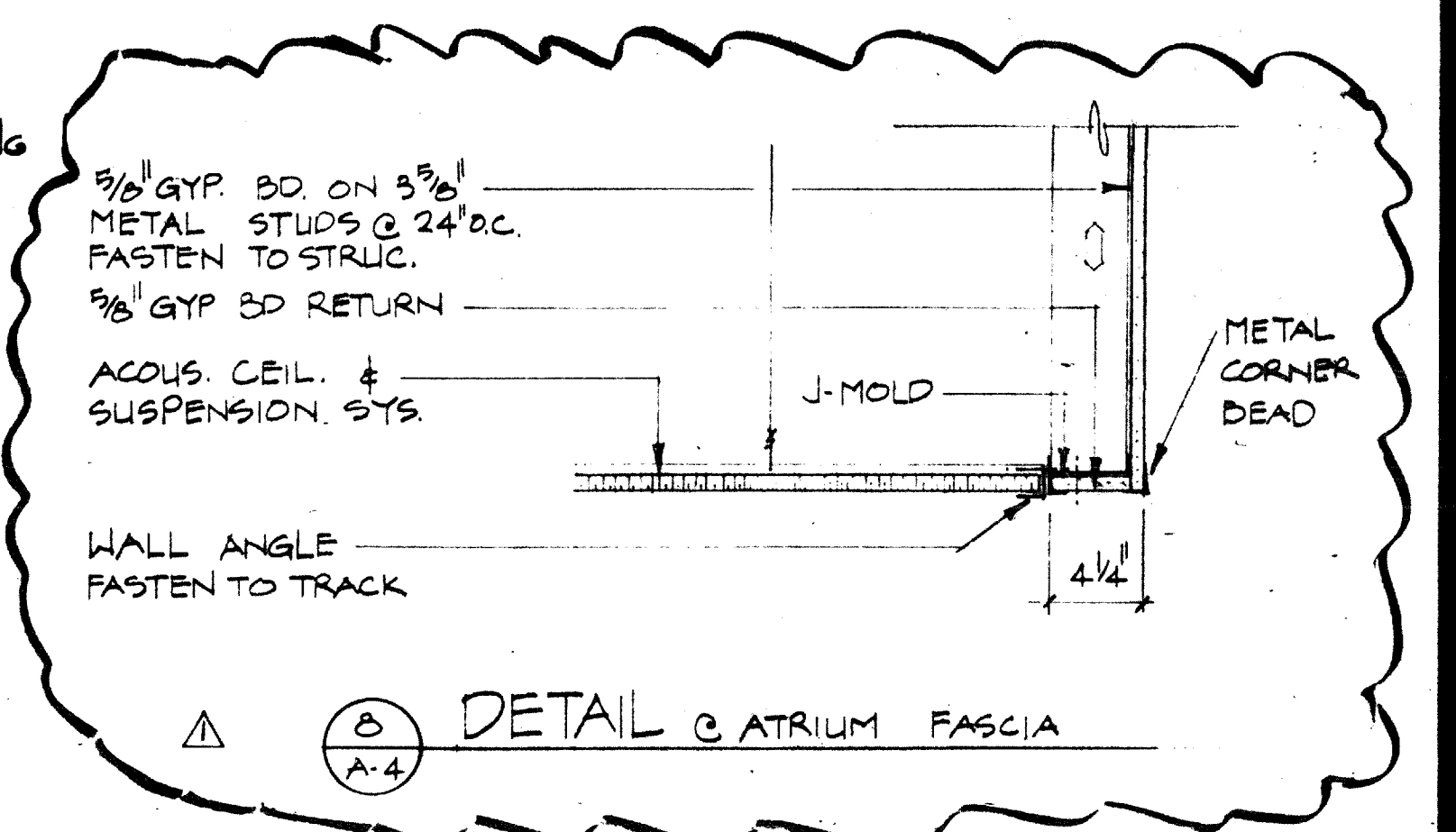
\"/>



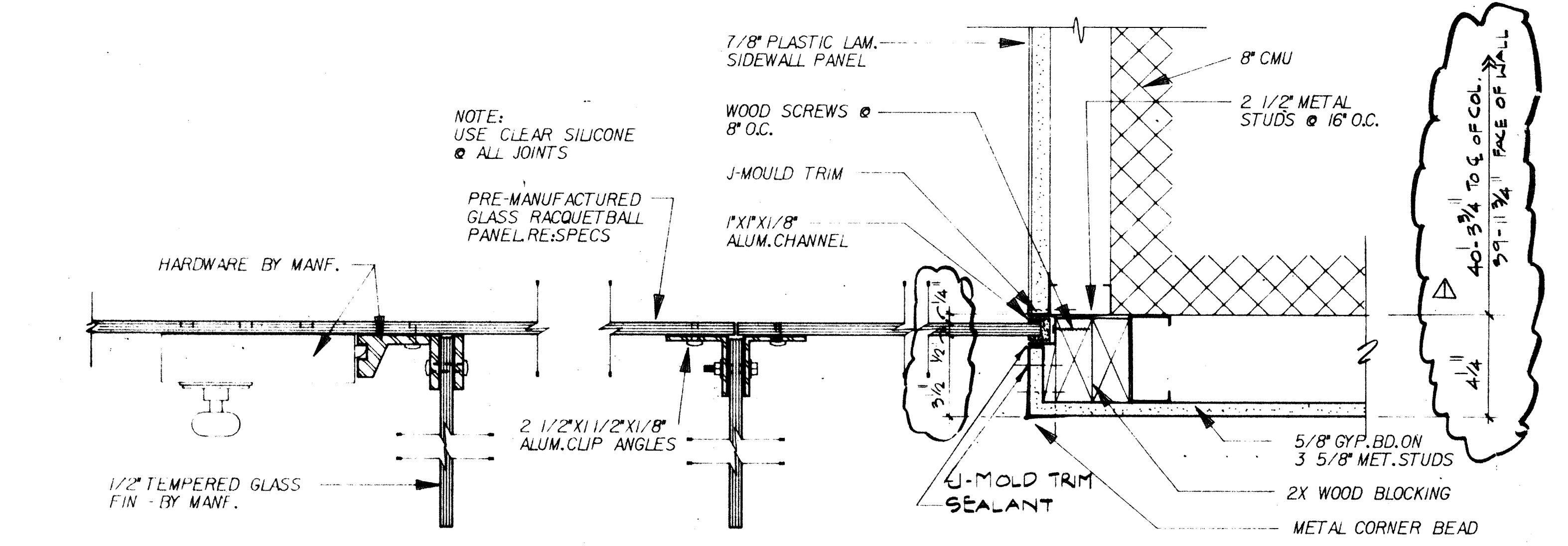
COMMON COURT WALL
 1/4\"/>



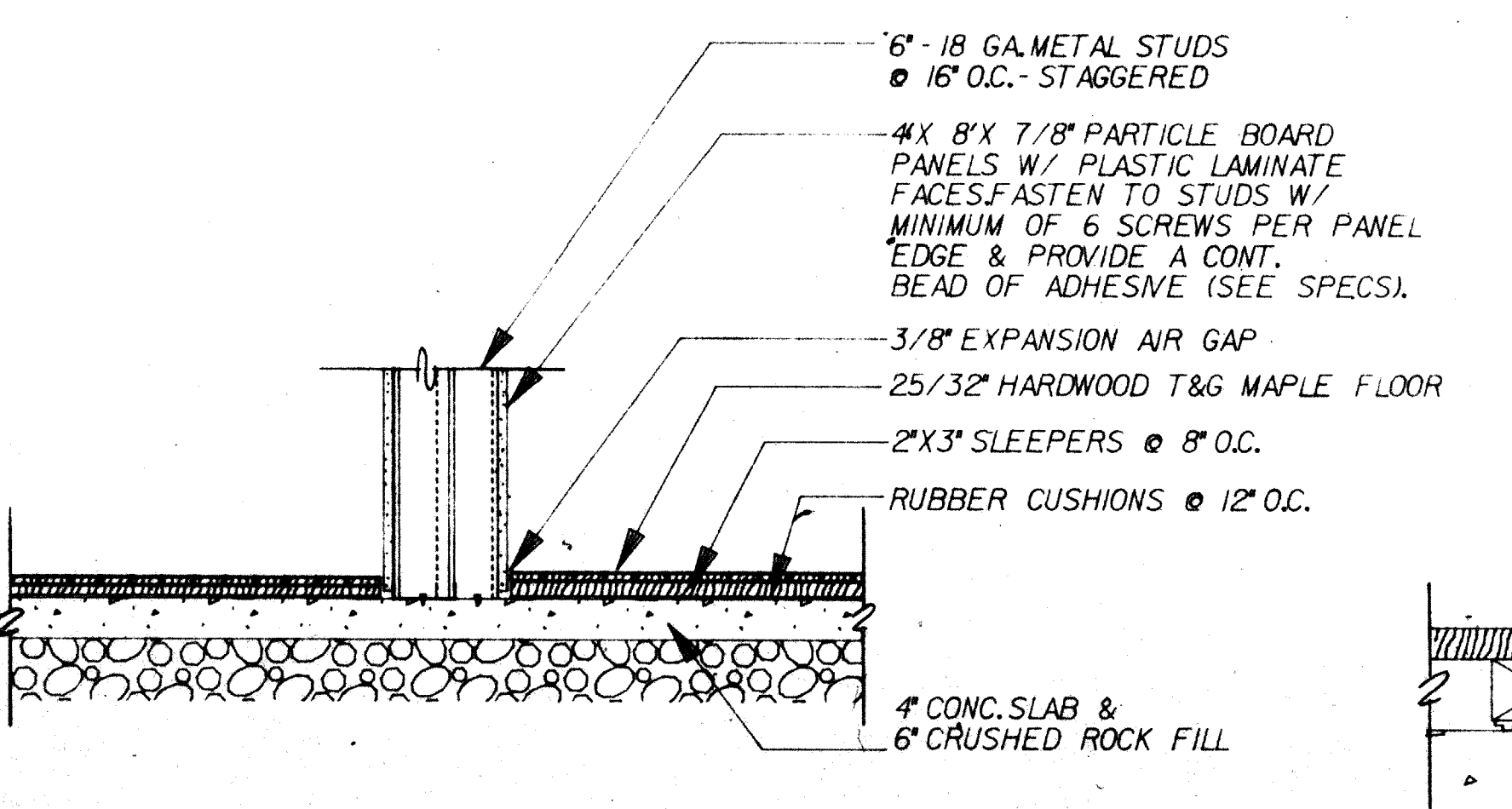
STANDARD ANCHORS IN GYM.
 NO SCALE



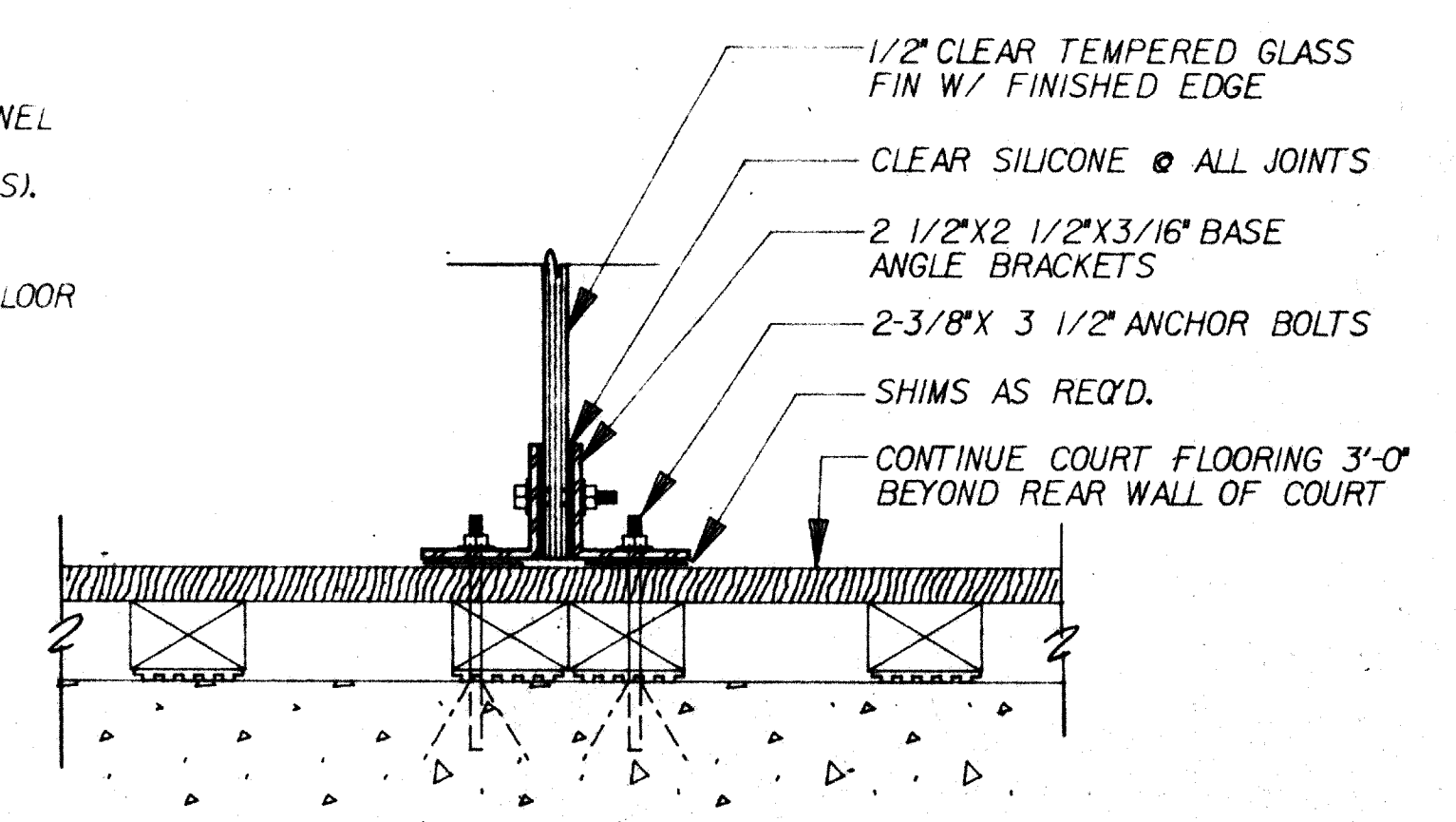
DETAIL @ ATRIUM FASCIA
 1/4\"/>



DETAIL @ GLASS REARWALL
 3\"/>



DETAIL @ COURT FLOOR
 3/4\"/>



BASE @ GLASS FIN
 3\"/>