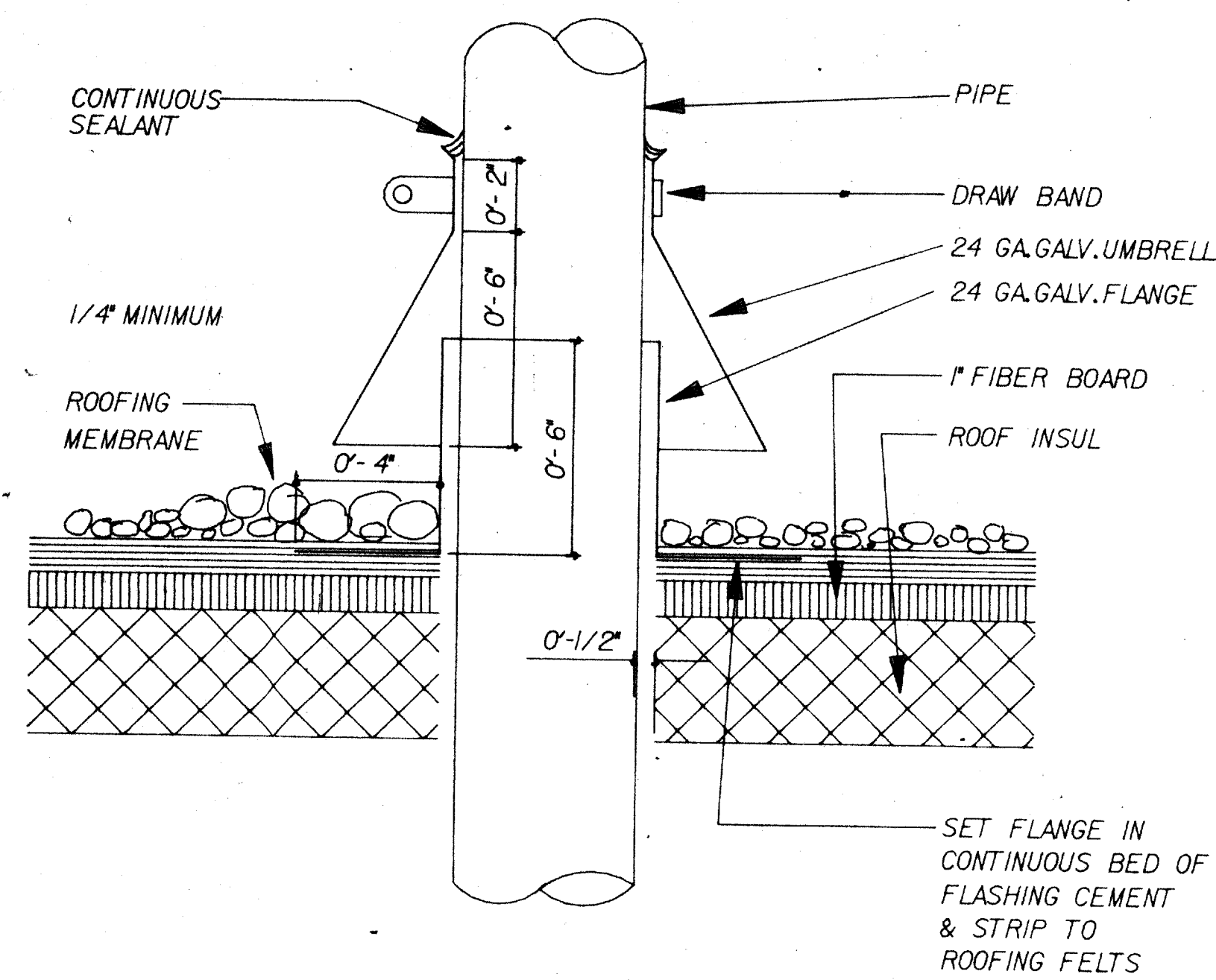
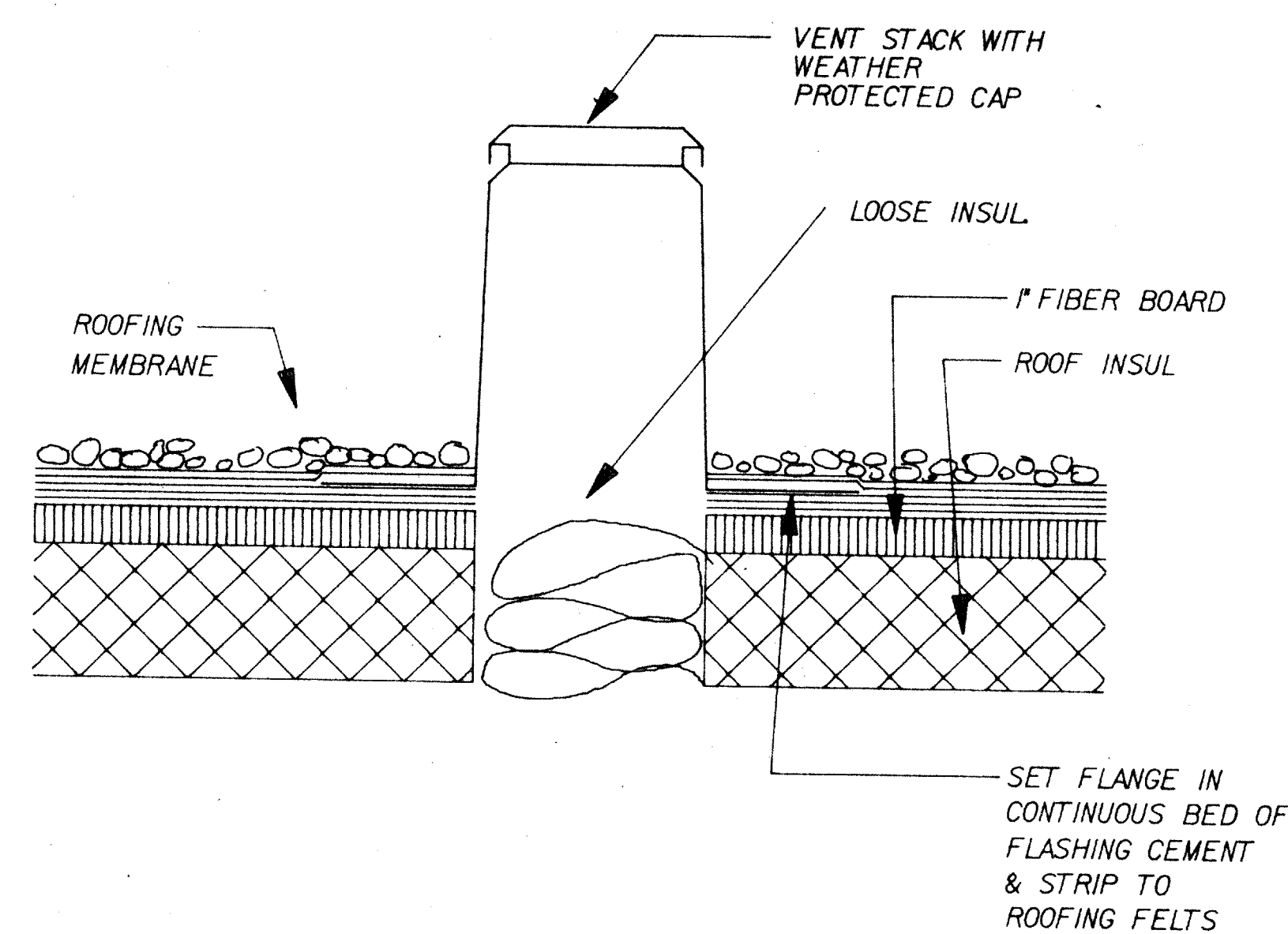


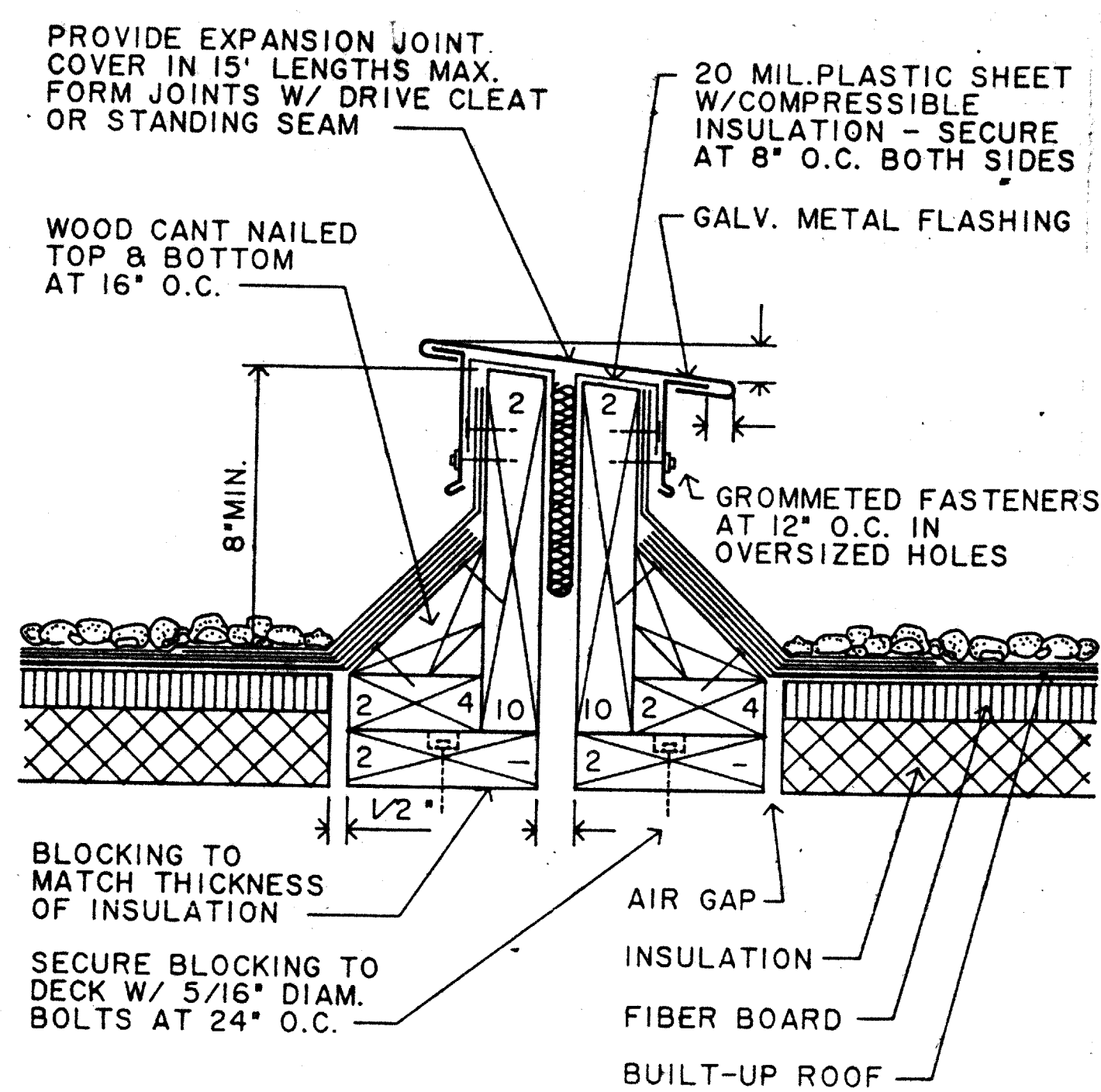
NOTE:  
BEVEL OUT COUNTER  
FLASHING AT TOP TO  
RECEIVE SEALANT (TYP.)



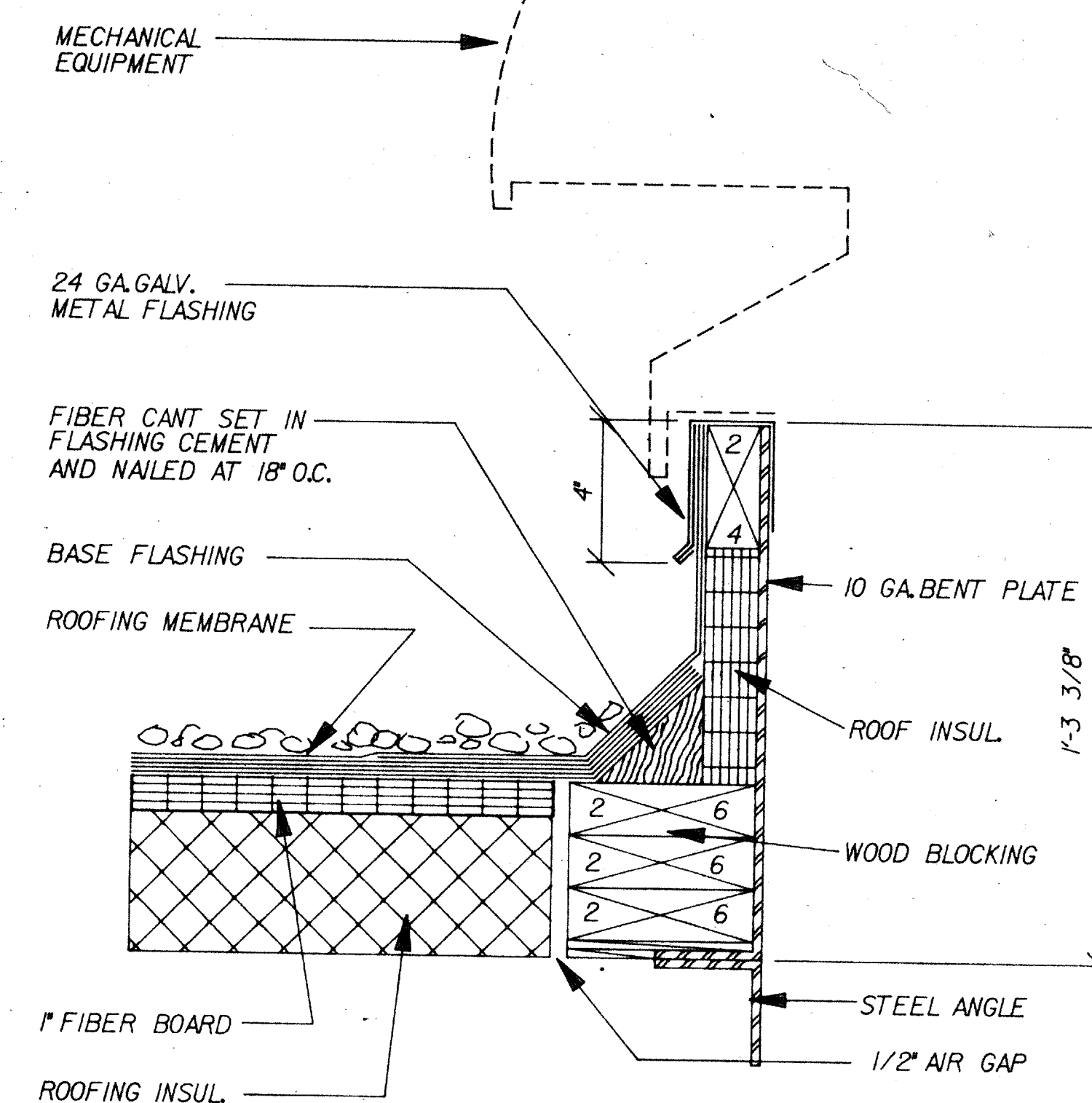
1 PIPE PENETRATION TYP.  
SCALE: 3" = 1'-0"



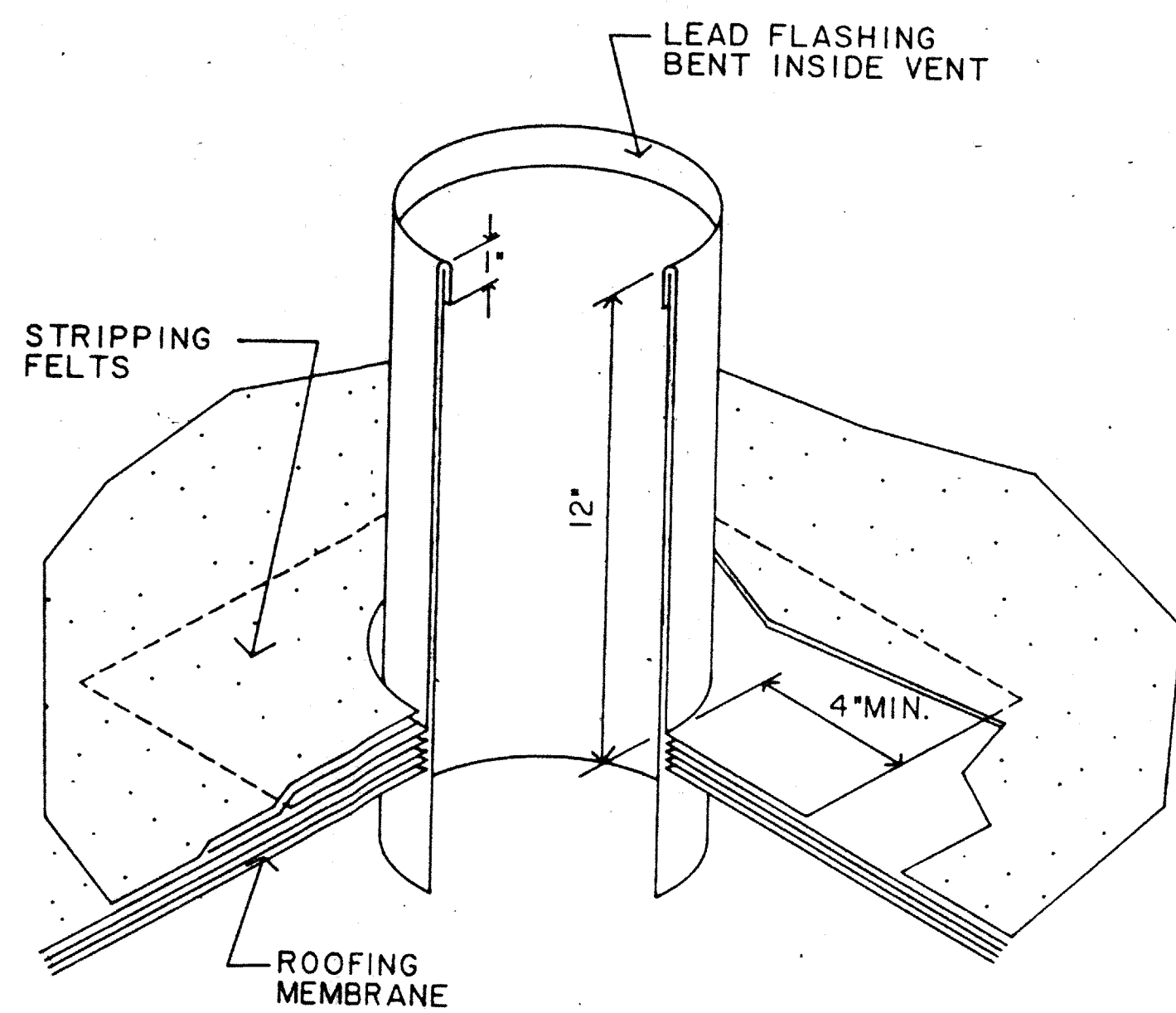
2 TYPICAL ROOF VENT  
SCALE: 3" = 1'-0"



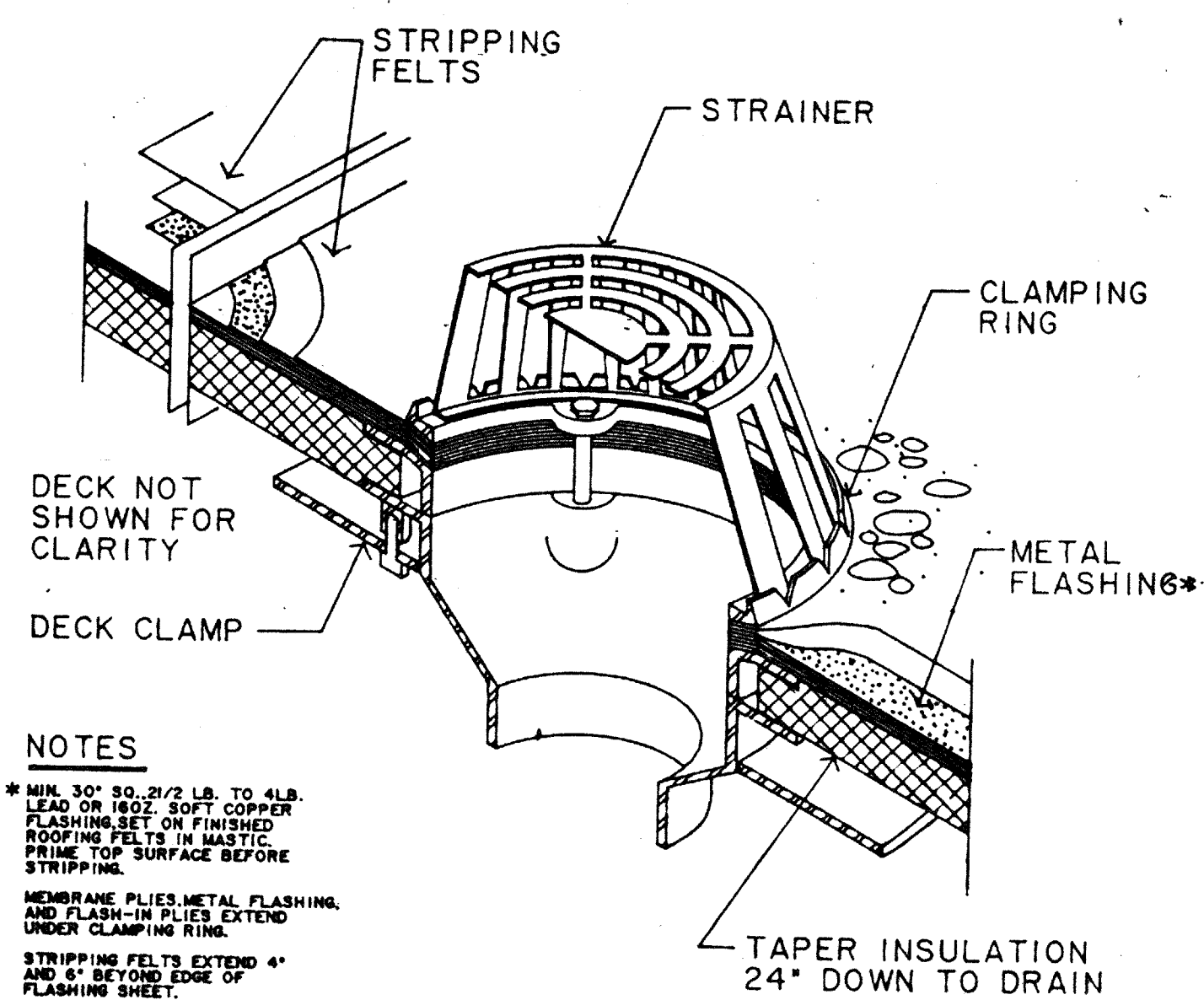
3 EXPANSION JOINT  
SCALE: 3" = 1'-0"



4 EQUIPMENT CURB  
SCALE: 3" = 1'-0"



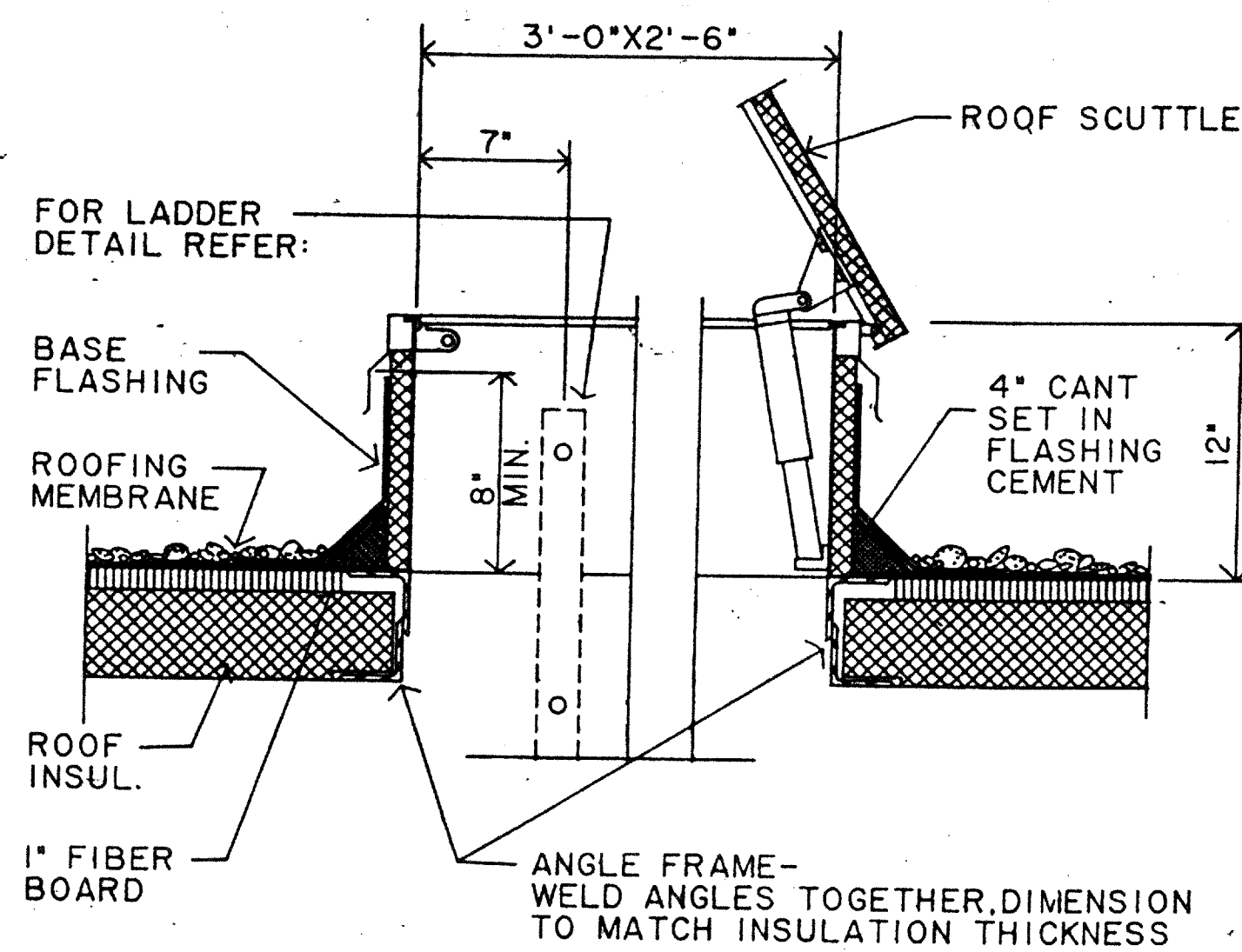
5 TYPICAL VENT FLASHING  
SCALE: NONE



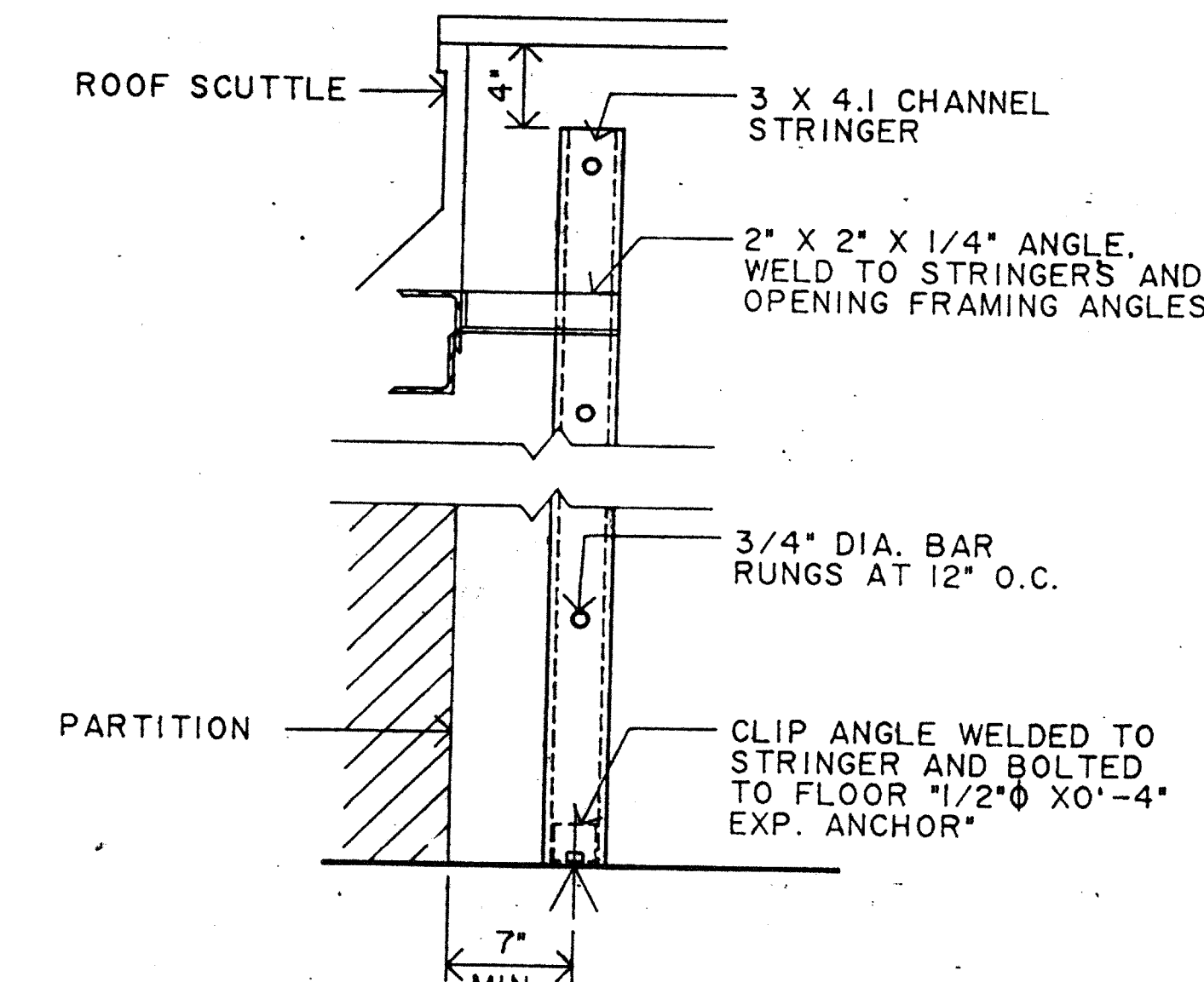
NOTES

\* MIN. 50# SO. 2 1/2 LB. TO 4 LB. LEAD OR 100# SOFT COPPER FLASHING SET ON FINISHED ROOFING SET ON FINISHED PLUMB UP TO 1/4\"/>

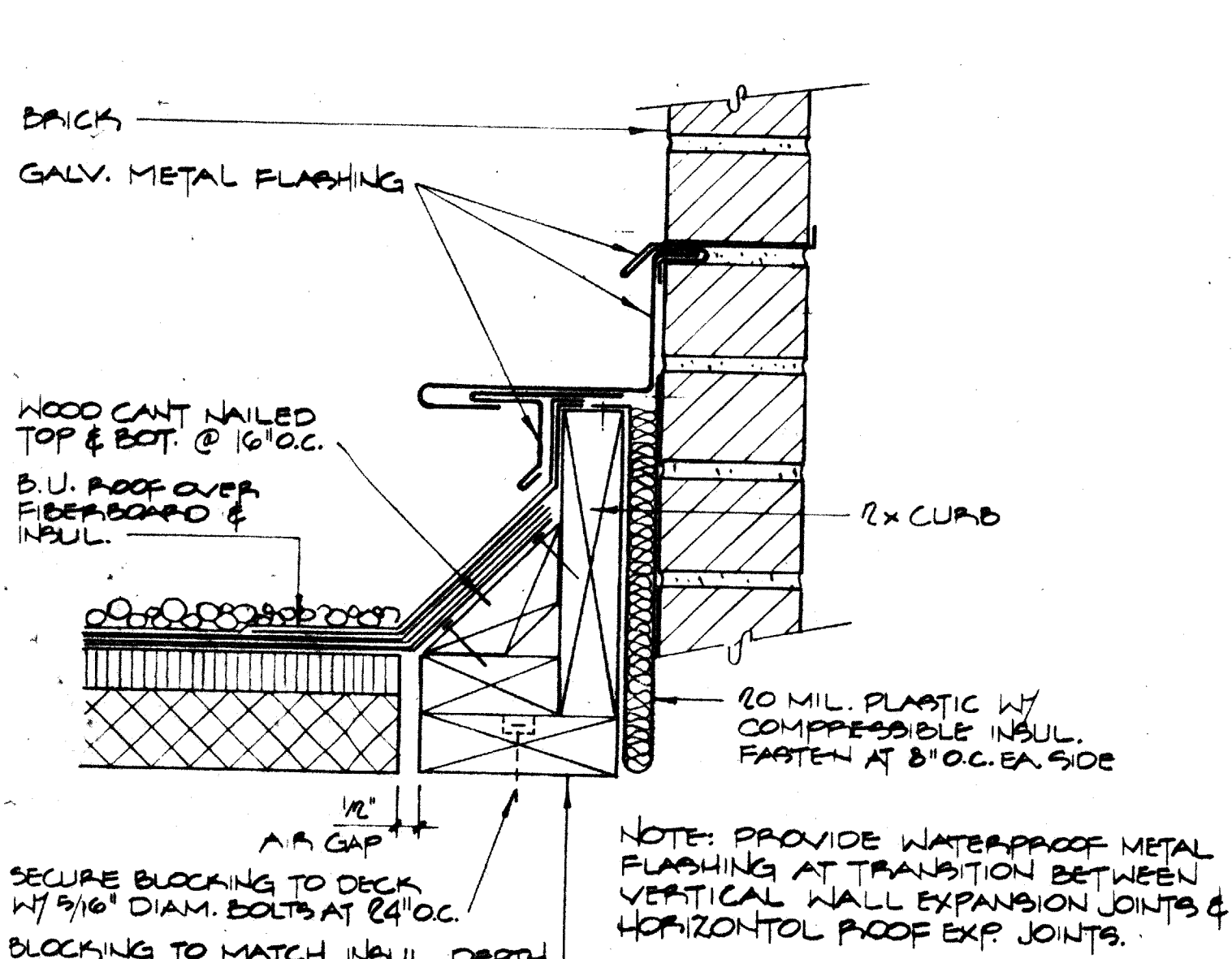
6 ROOF DRAIN  
SCALE: NONE



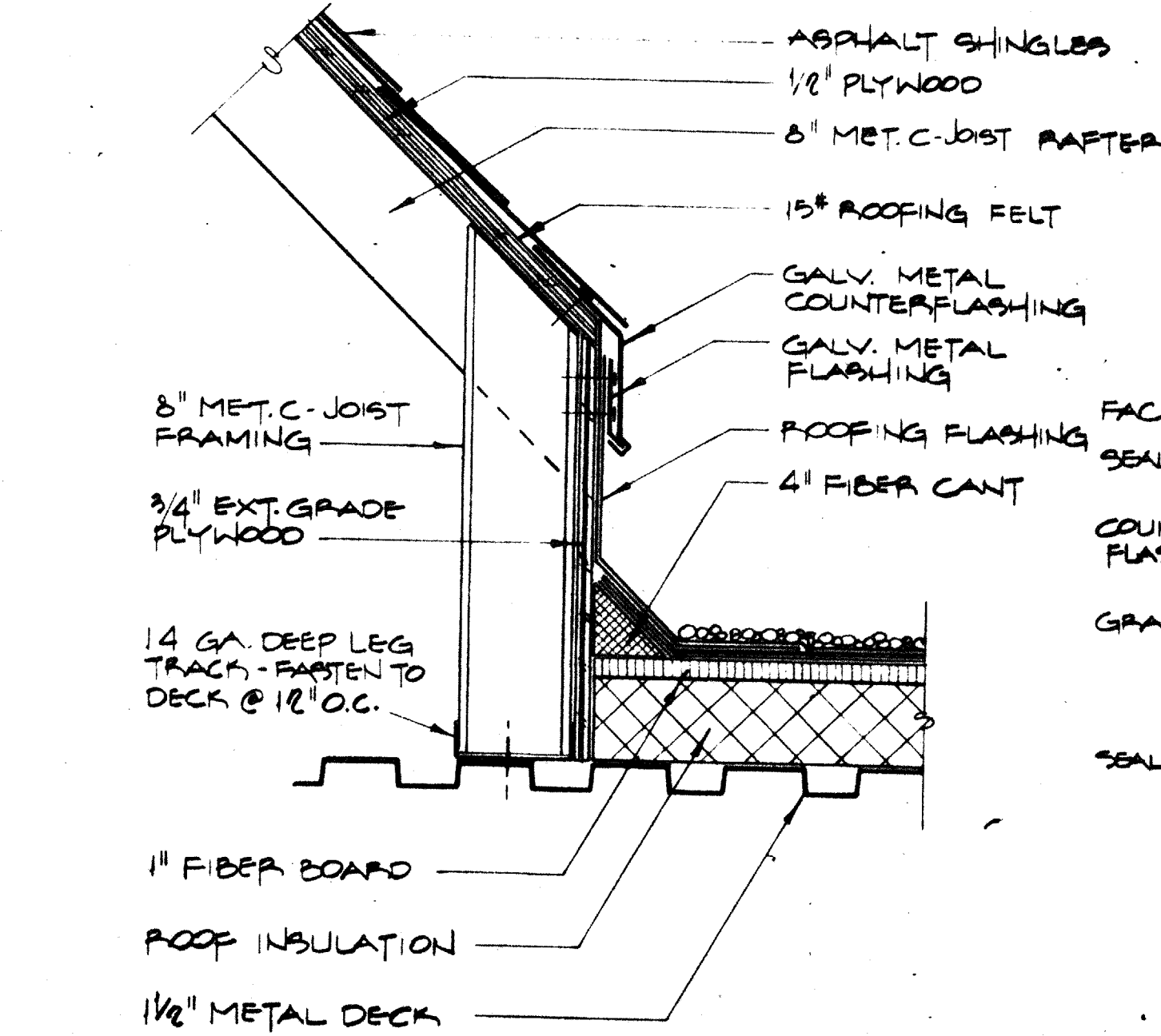
7 ROOF SCUTTLE  
SCALE: NONE



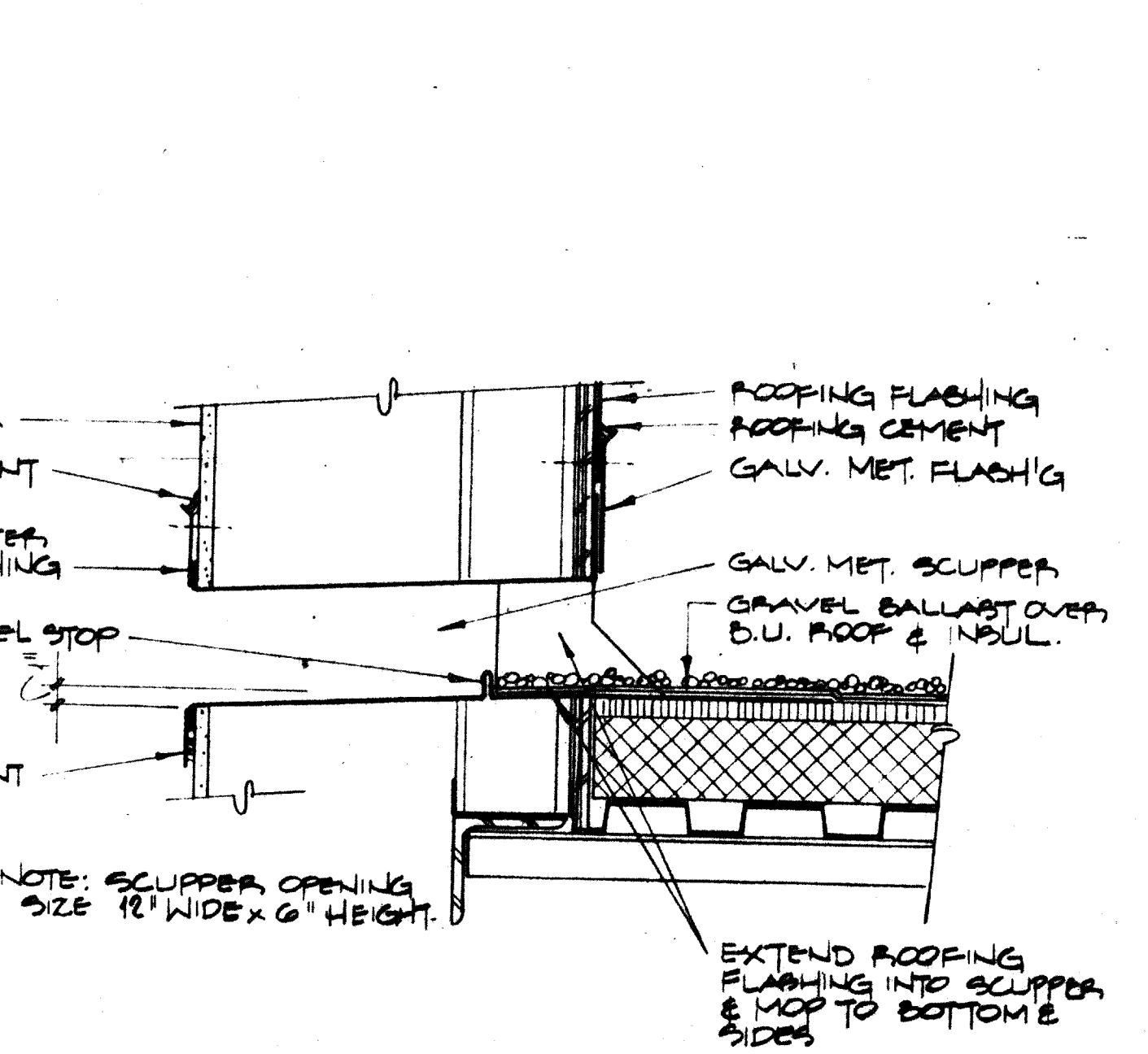
8 LADDER TO SCUTTLE  
SCALE: 1/2" = 1'-0"



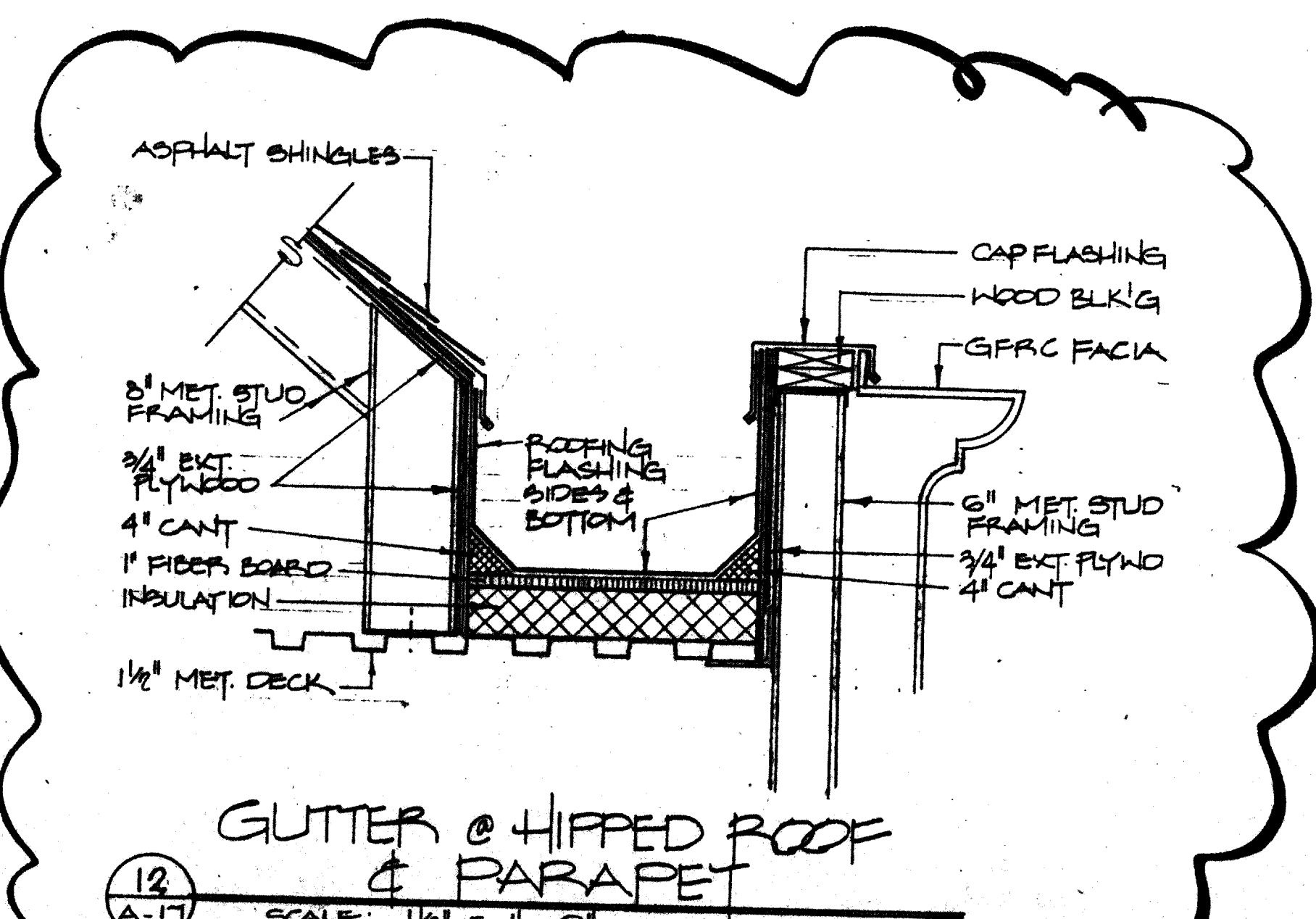
9 EXPANSION JOINT  
SCALE: 3" = 1'-0"



10 DETAIL @ HIPPED ROOF  
SCALE: 1/2" = 1'-0"



11 SCUPPER THRU PARAPET  
SCALE: 1/2" = 1'-0"



12 GUTTER @ HIPPED ROOF & PARAPET  
SCALE: 1/2" = 1'-0"

SHEET NO.	
BASE	
C	
D	
E	
F	
G	
H	
I	
J	
K	
L	
M	
N	
O	
P	
Q	
R	
S	
T	
U	
V	
W	
X	
Y	
Z	

ADDISON RECREATION CENTER  
3900 BELTWAY DRIVE  
ADDISON, TEXAS

ADDISON

The Benham Group Dallas  
architects  
engineers  
planners  
1341 w. mockingbird in.  
suite 517 e  
dallas, texas



ROOF DETAILS

M. BRECHLEY  
H. ADAMS  
3-10-88  
REVISIONS

no. date  
4/2/86