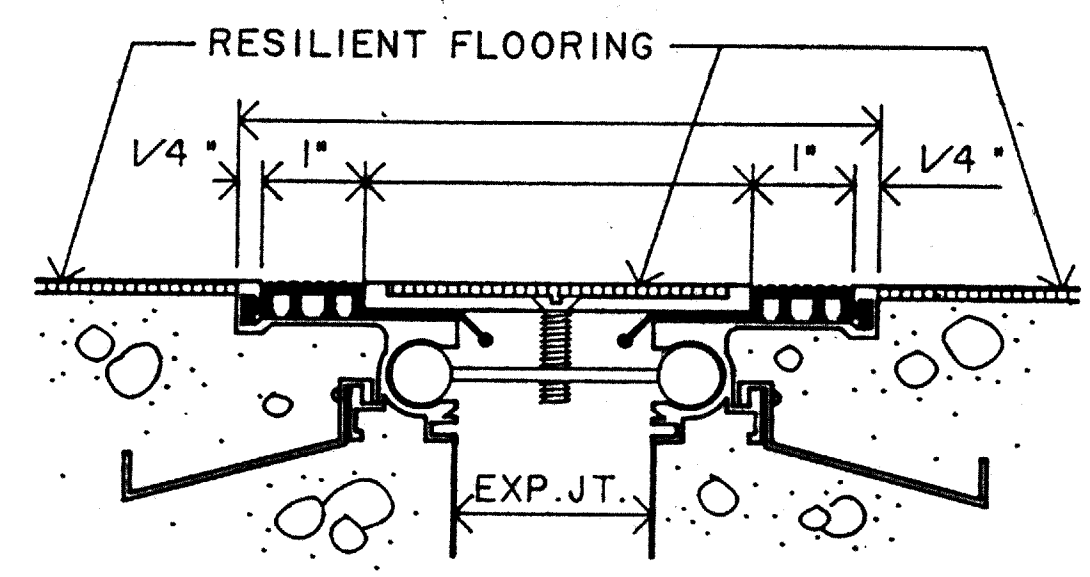
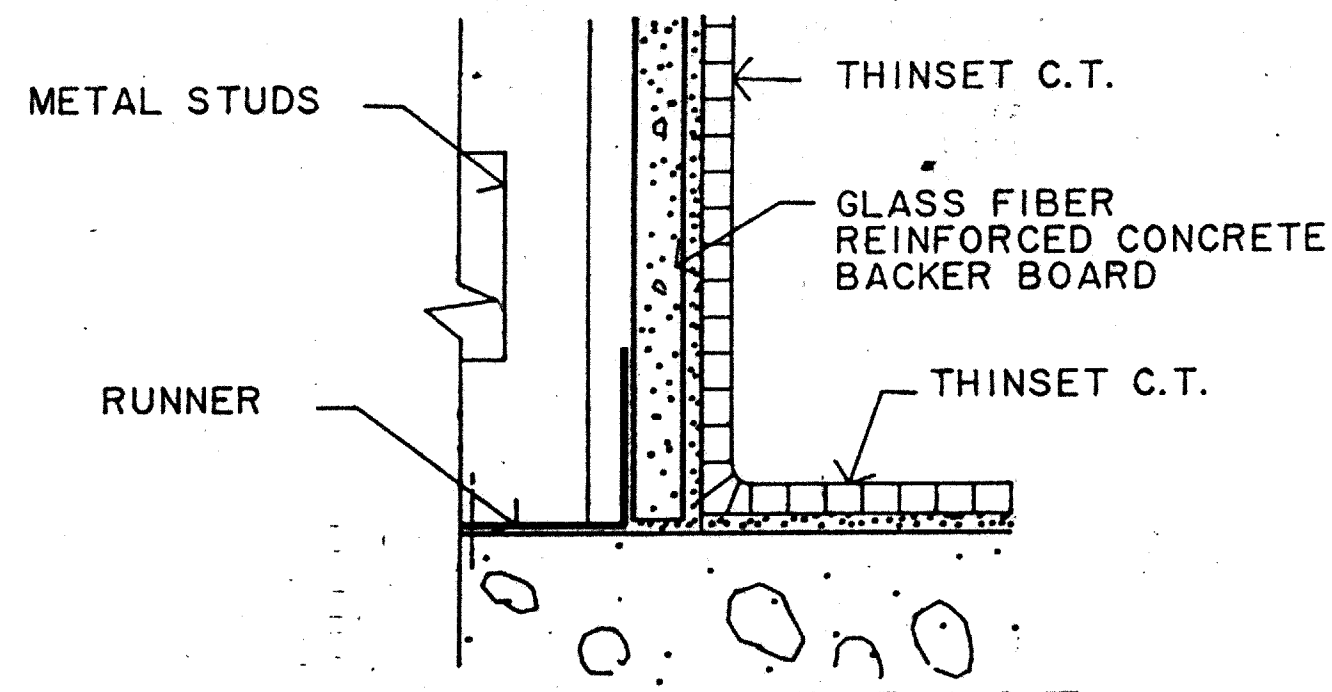


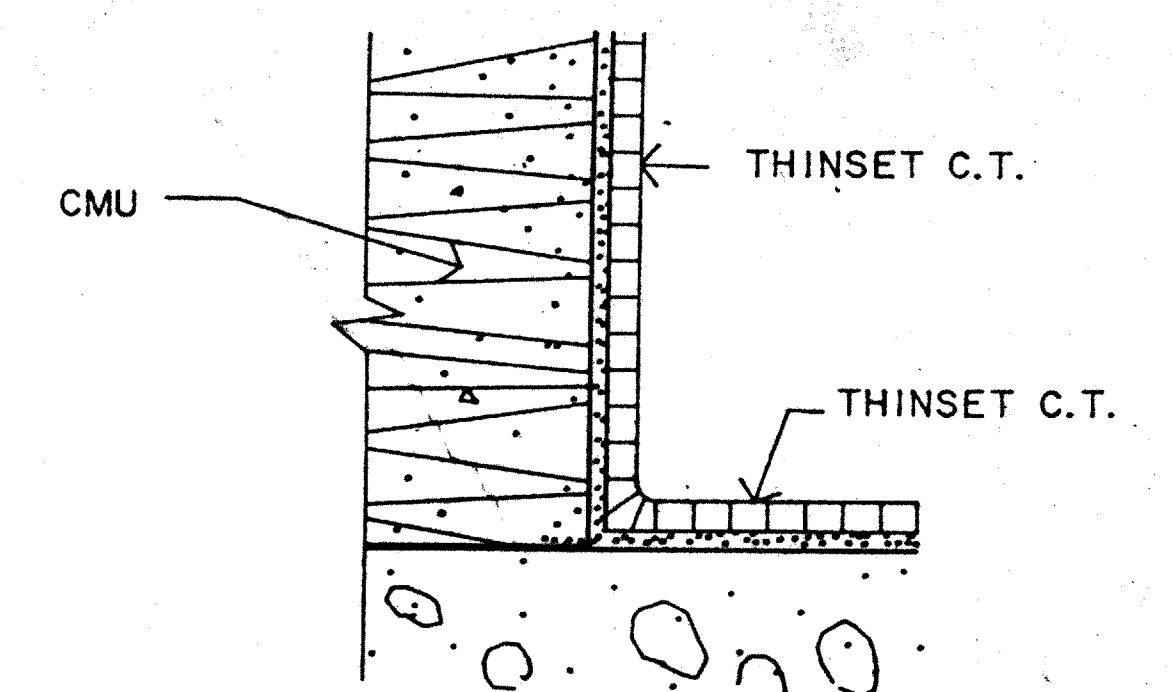
1 EXPANSION JOINT  
 A1 SCALE: 6"=1'-0"



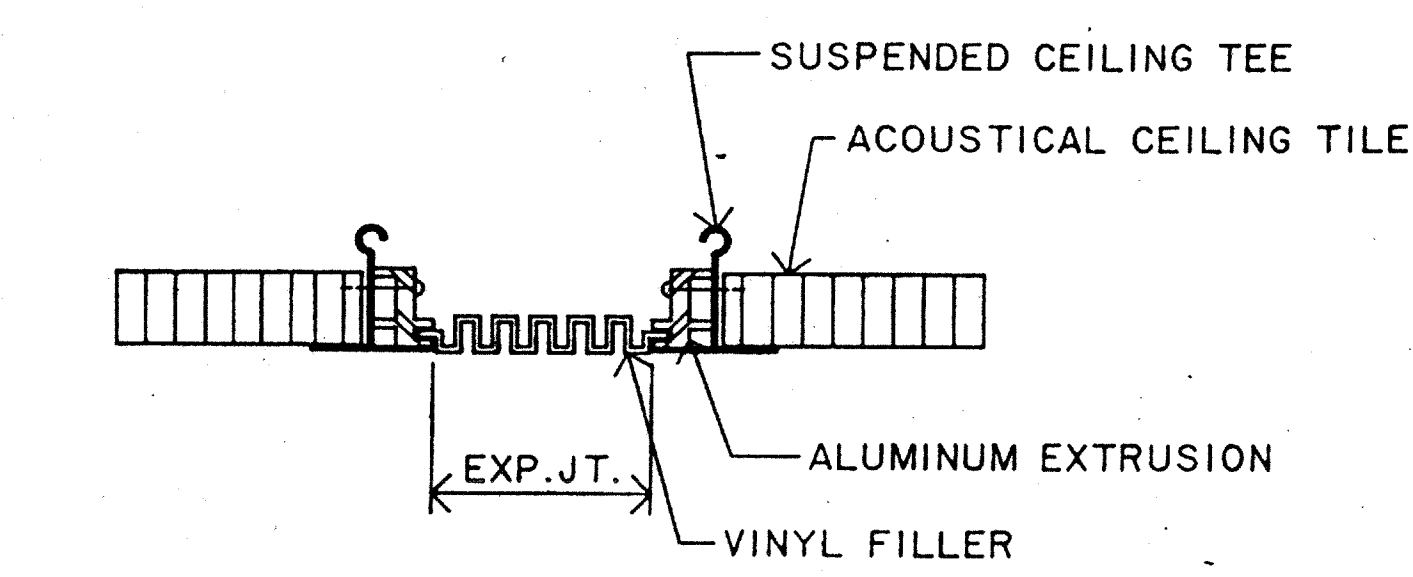
2 EXPANSION JOINT AT RESILIENT FLOORING  
 A1 SCALE: 6"=1'-0"



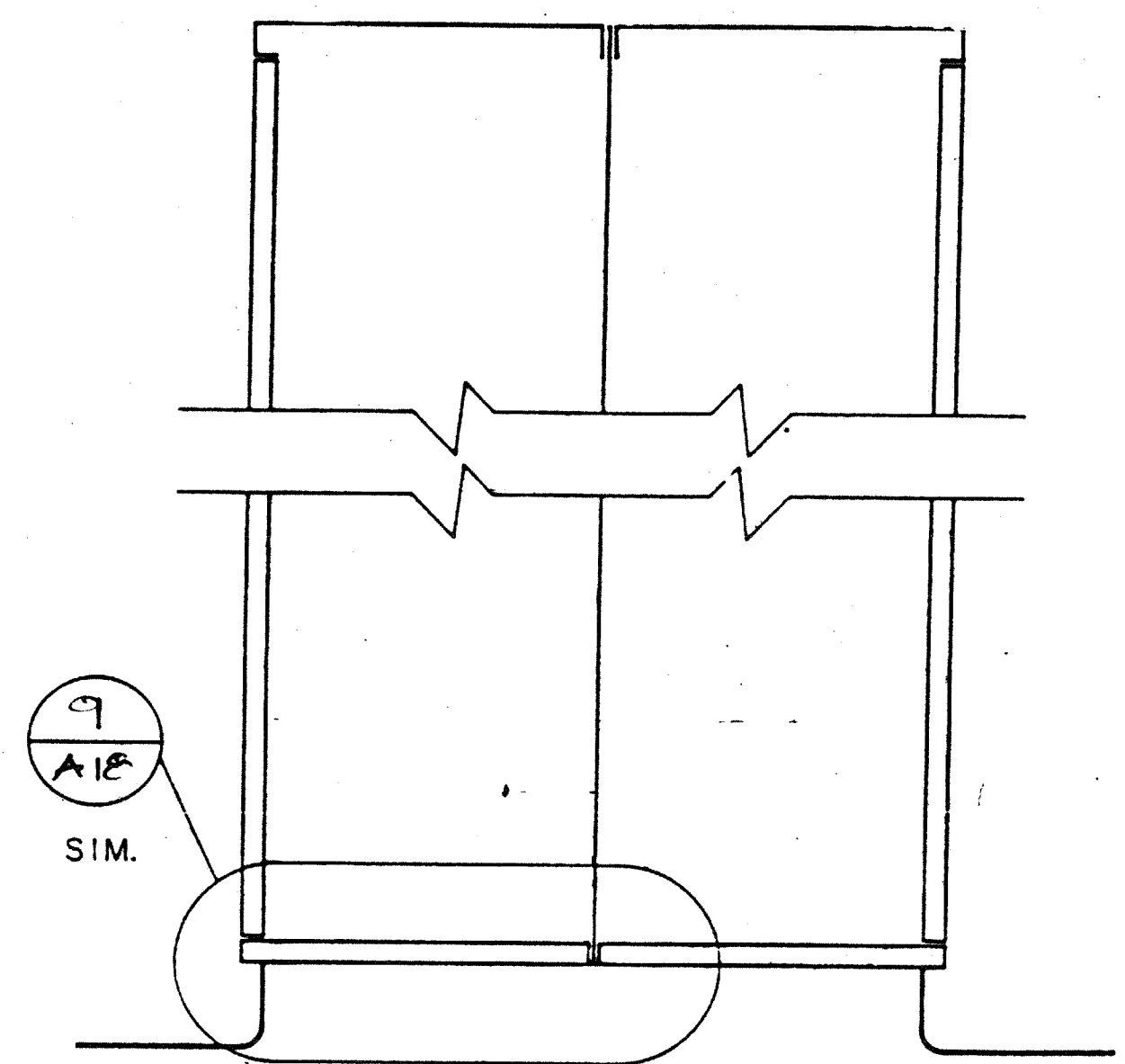
3 CERAMIC TILE BASE  
 A12 SCALE: HALF SIZE (SLAB ON GRADE)



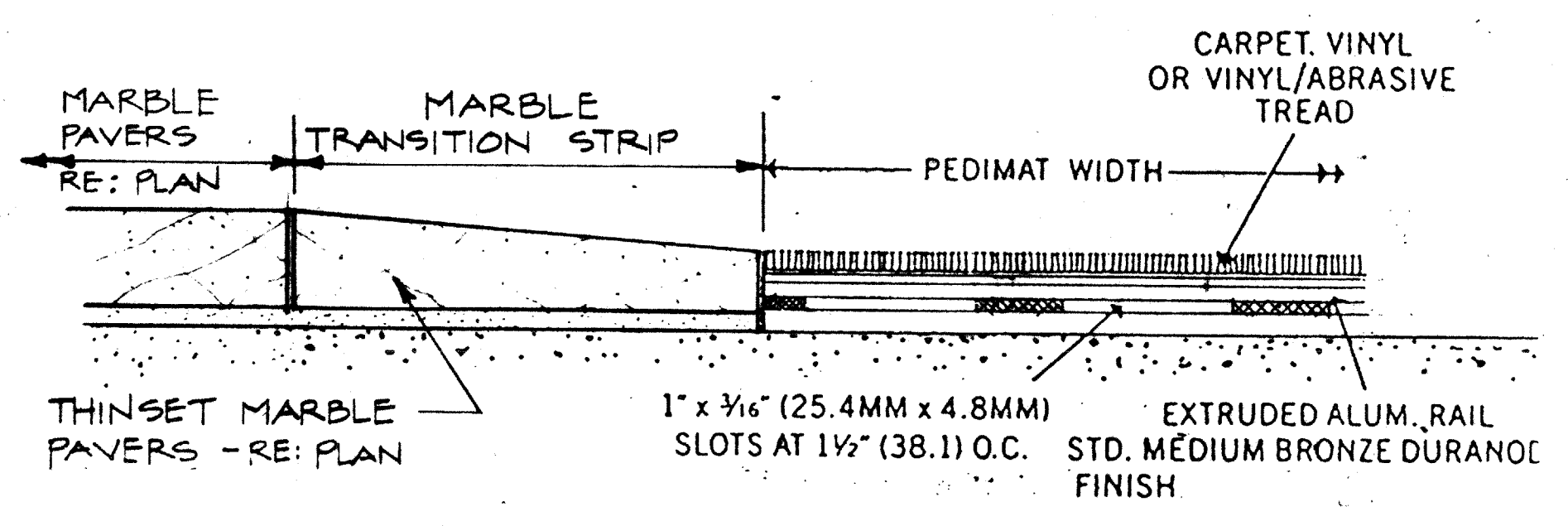
4 CERAMIC TILE BASE  
 A12 SCALE: HALF SIZE (SLAB ON GRADE)



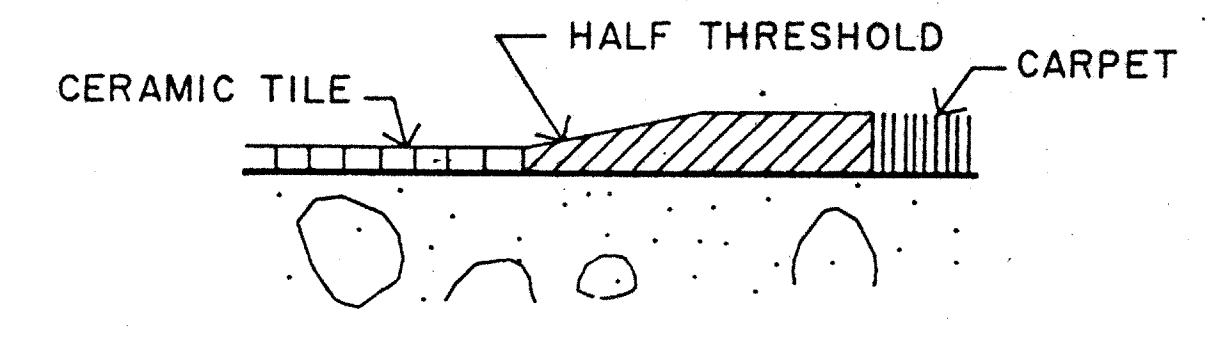
5 CEILING EXPANSION JOINT  
 A4 SCALE: 6"=1'-0"



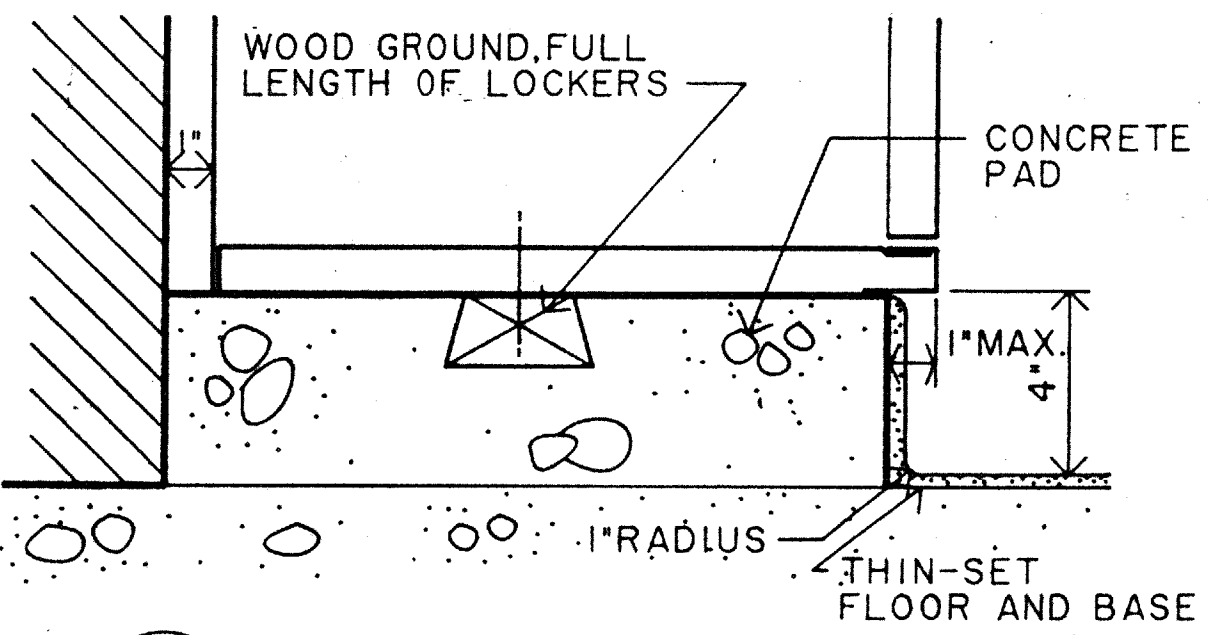
6 LOCKER SECTION  
 A12 SCALE: 1 1/2"=1'-0"



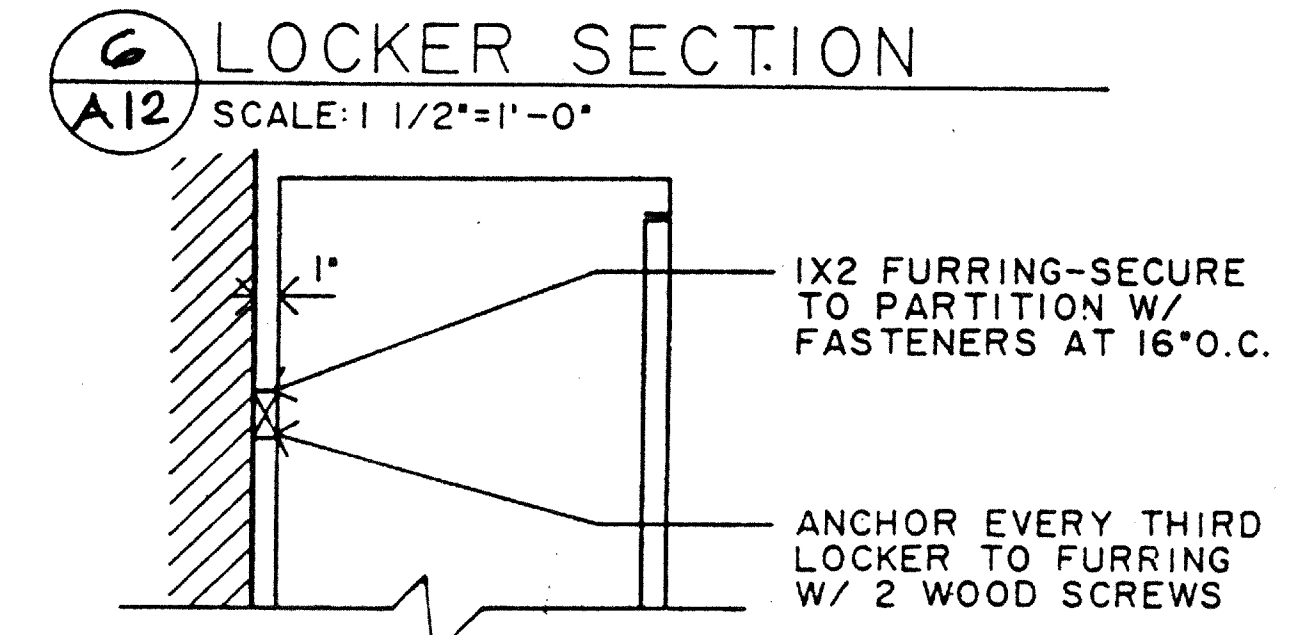
7 TRANSITION @ ENTRY  
 A1 NONE



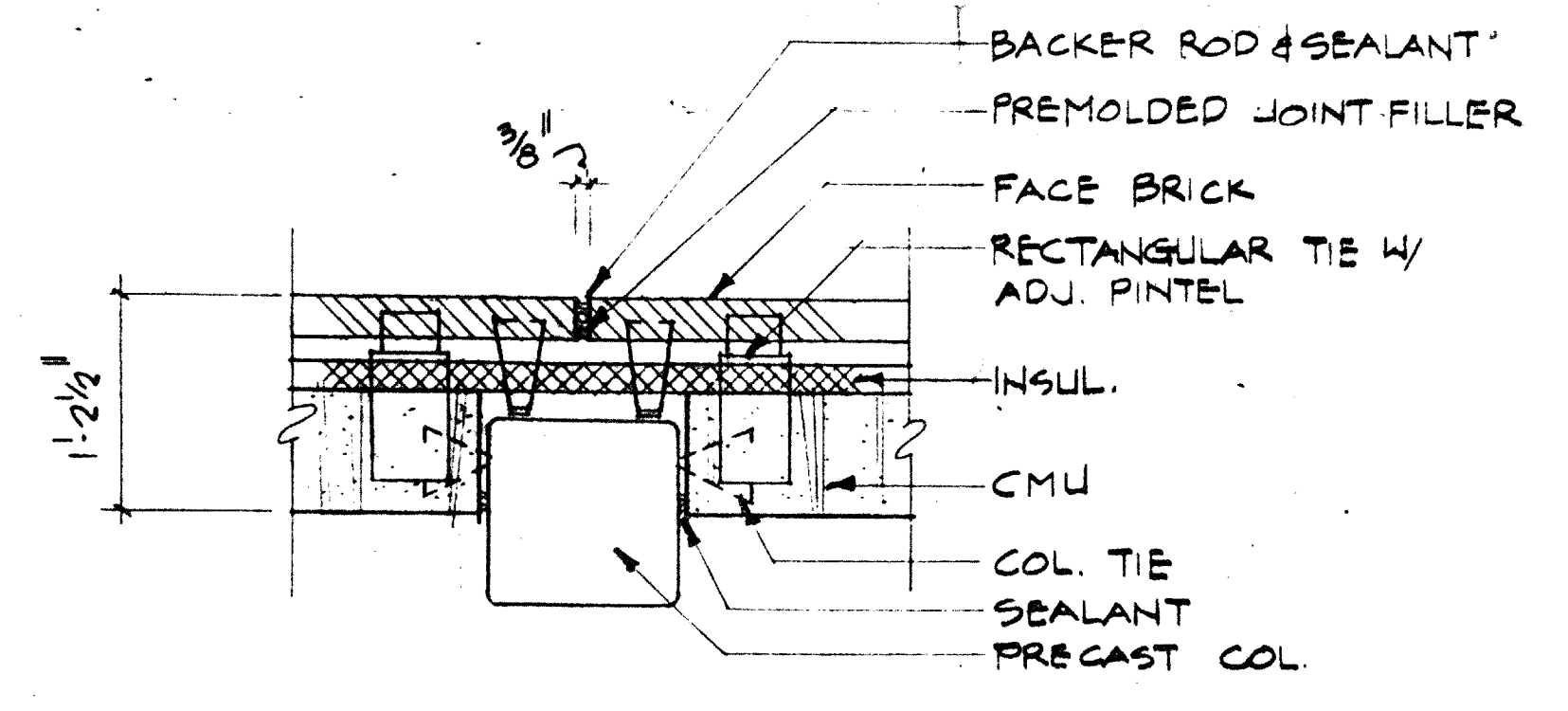
8 FLOORING TRANSITION  
 A1 SCALE: FULL SIZE



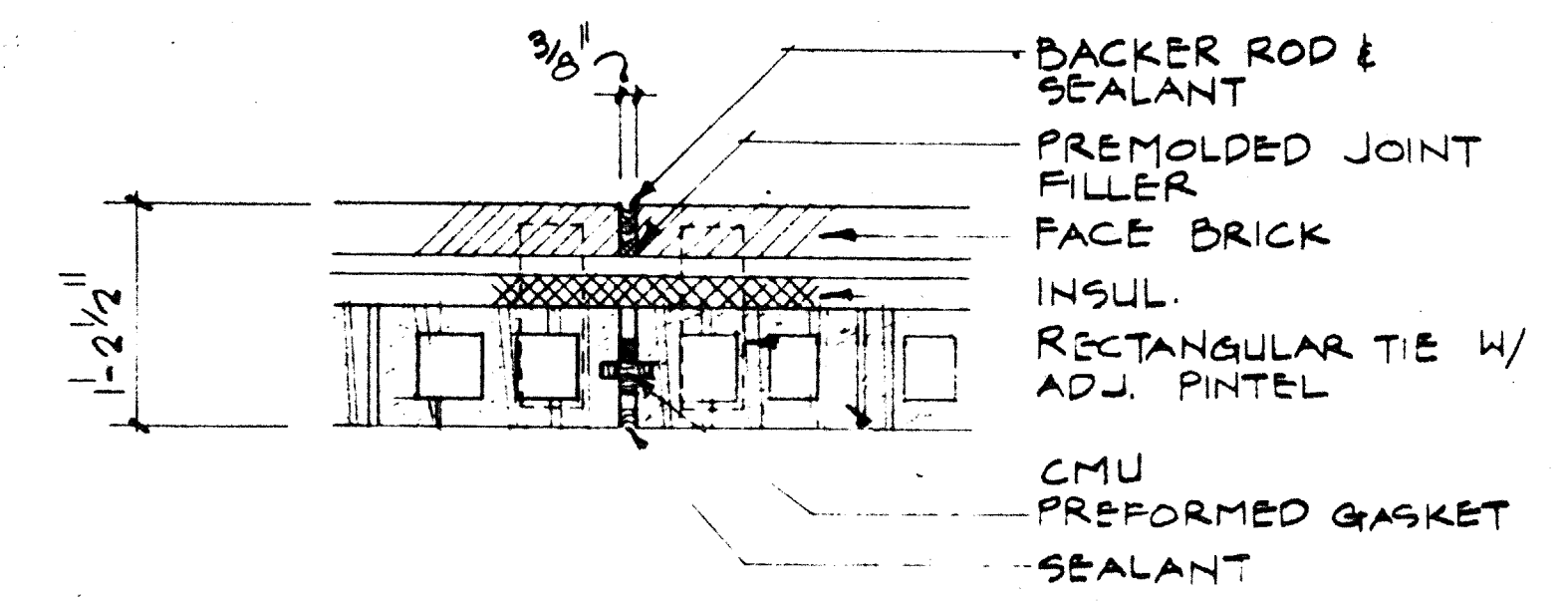
9 LOCKER BASE  
 A12 SCALE: 3"=1'-0"



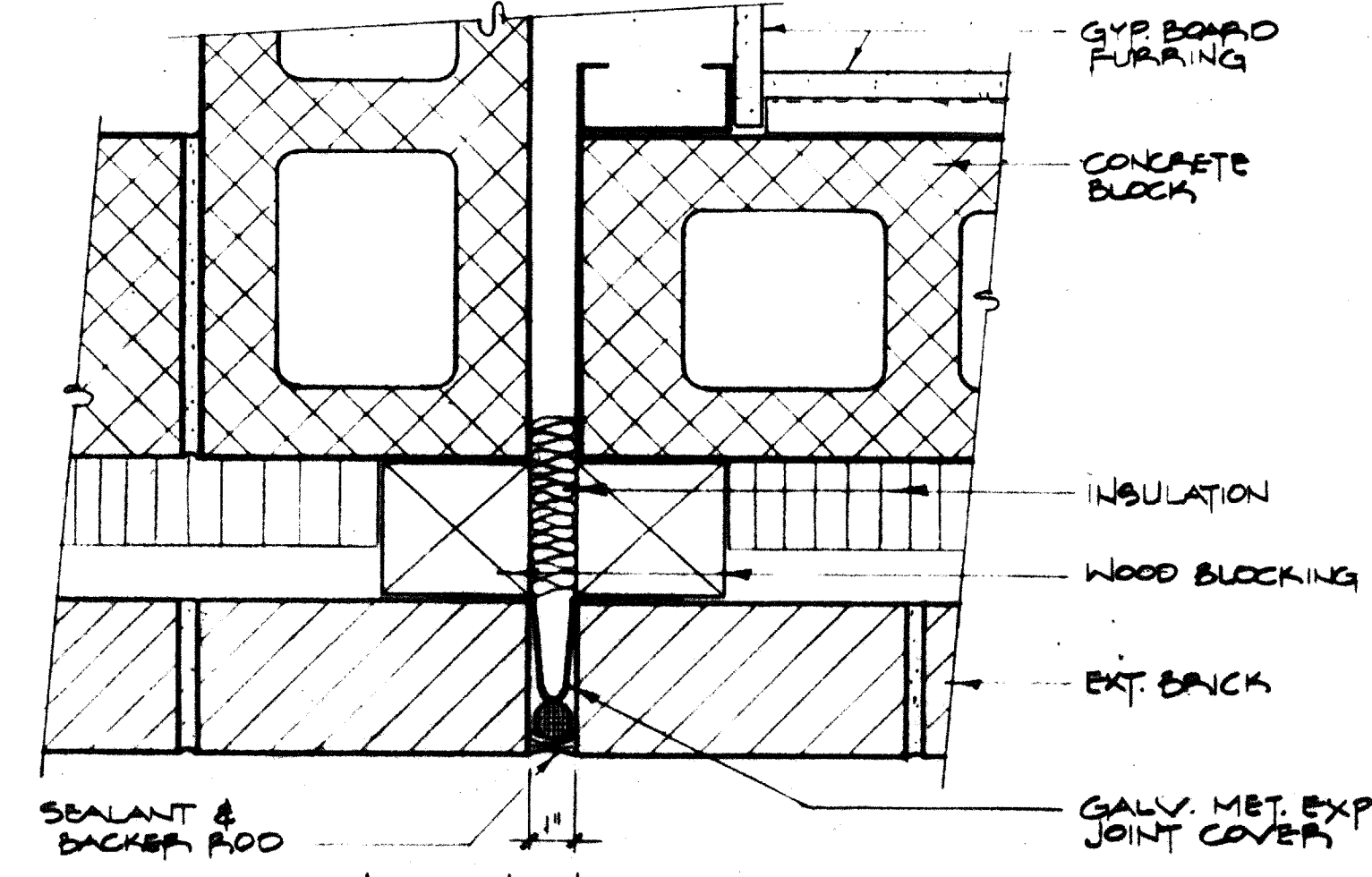
10 LOCKER SECTION  
 A12 SCALE: 1 1/2"=1'-0"



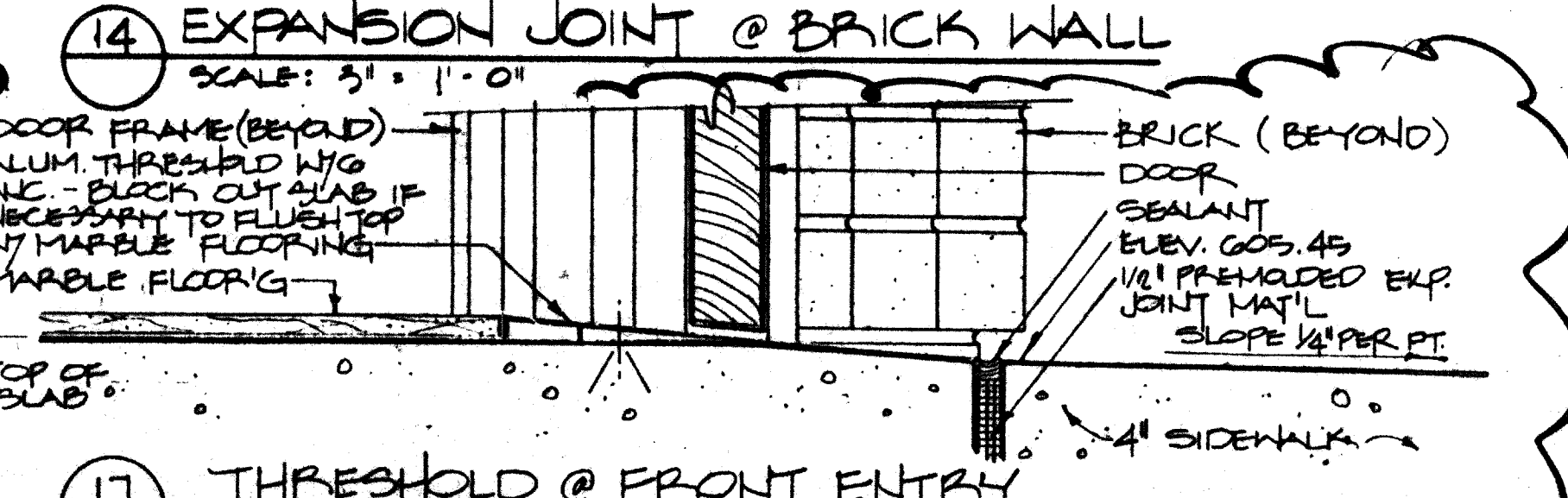
11 CONTROL JOINT @ COLUMN  
 A12 SCALE: 1"=1'-0"



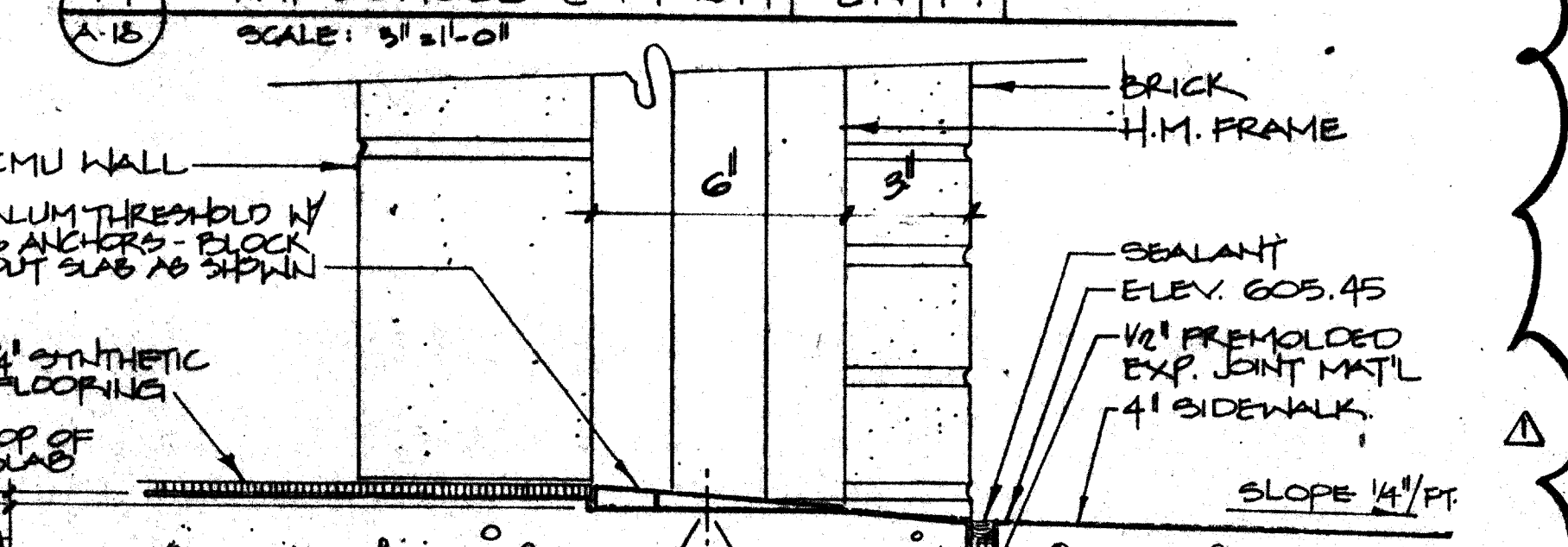
12 CONTROL JOINT @ BLOCK  
 A12 SCALE: 1"=1'-0"



13 VANITY  
 A12 SCALE: 1 1/2"=1'-0"



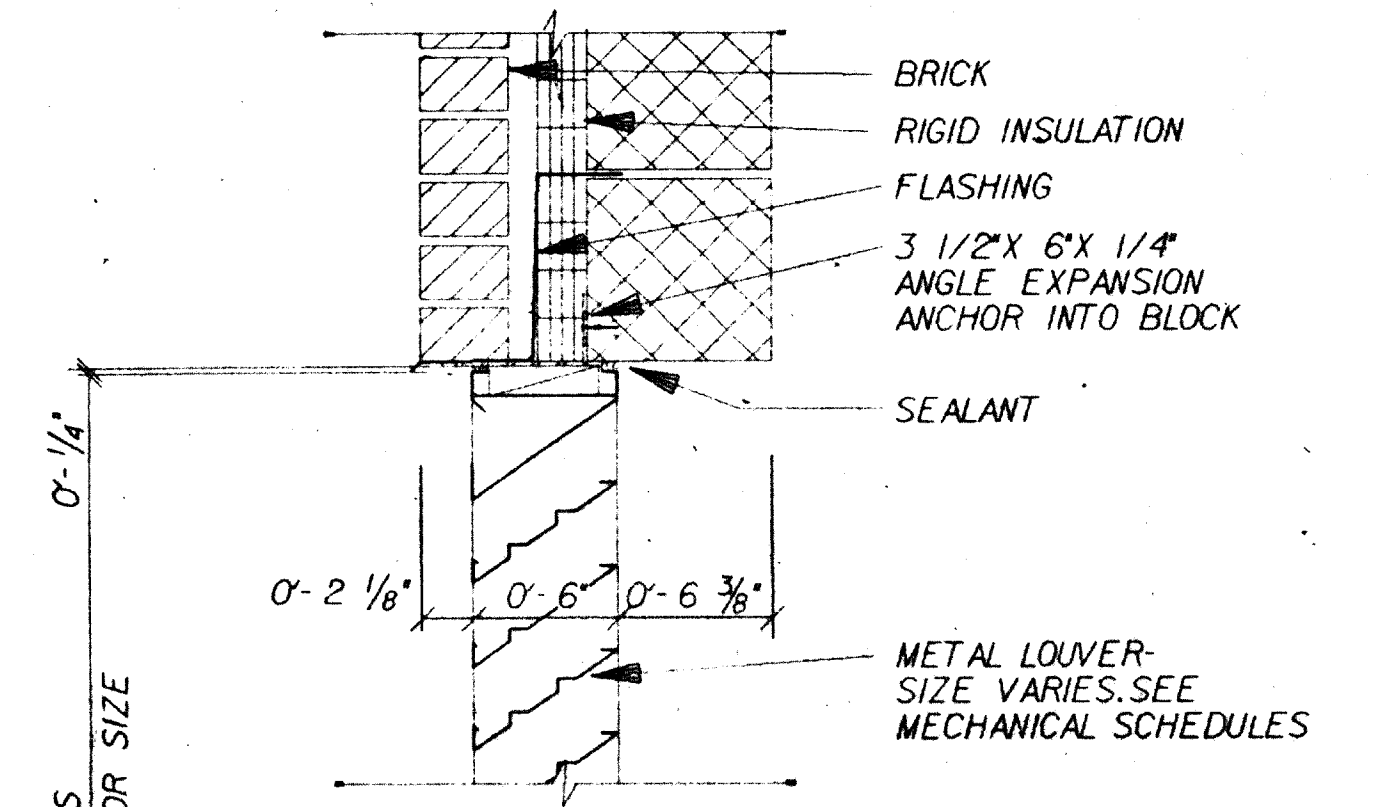
14 EXPANSION JOINT @ BRICK WALL  
 A12 SCALE: 3"=1'-0"



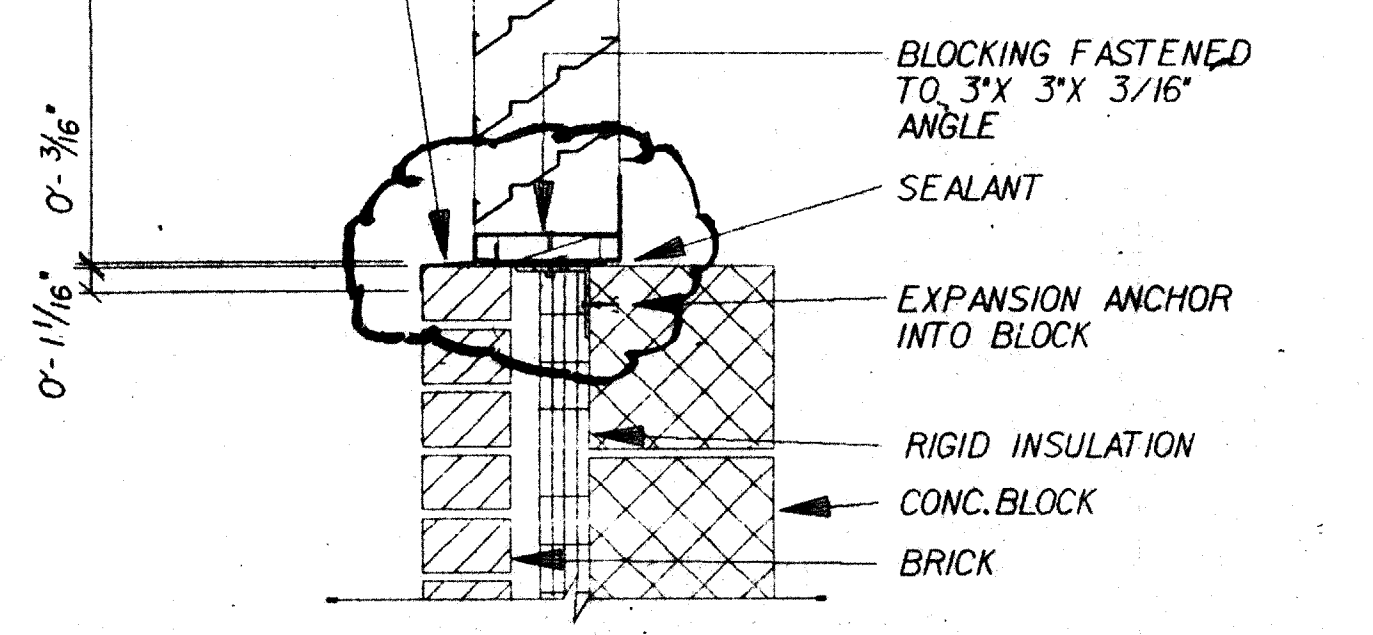
15 THRESHOLD @ FRONT ENTRY  
 A12 SCALE: 3"=1'-0"



16 THRESHOLD @ GYM DOOR  
 A12 SCALE: 3"=1'-0"



17 DETAIL-LOUVER  
 A12 SCALE: 1 1/2"=1'

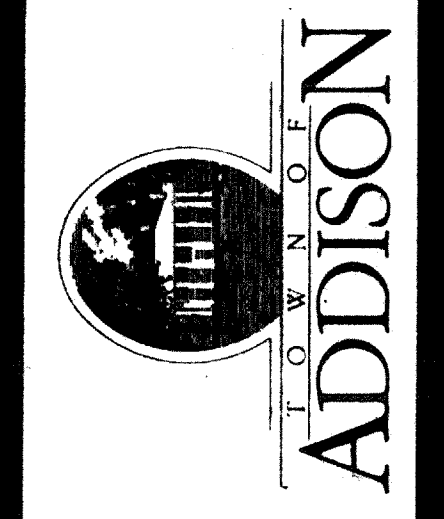


18 DETAIL-LOUVER  
 A12 SCALE: 1 1/2"=1'

MOUNTING HEIGHTS

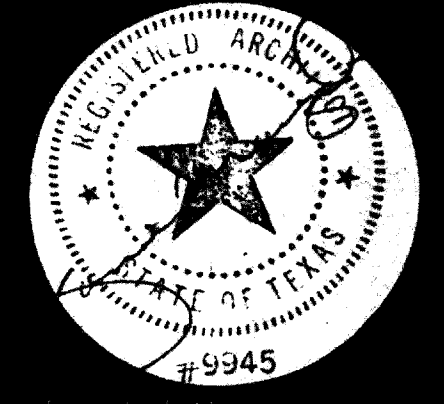
DESCRIPTION	HANDICAPPED	STANDARD
TOILET	17"-19" AFF. TO RIM	14"-15" AFF. TO RIM
URINAL	17" AFF. TO RIM	18"-20" AFF. TO RIM
LAVATORY	29" CLEAR	31" AFF. TO RIM
GRAB BAR-1 1/2" O.D.	33"-36" AFF. TO CL.	-----
MIRROR	40" AFF. TO BOT. (MAX.) 74" AFF. TO TOP (MIN.)	42" AFF. TO BOT.
SHELF	DIRECTLY UNDER MIRROR	DIRECTLY UNDER MIRROR
TOILET PAPER DISPENSER	19" AFF. TO CL.	36" AFF. TO CL.
SANITARY NAPKIN DISPENSER	19" AFF. TO CL.	36" AFF. TO CL.
SANITARY NAPKIN DISPOSAL	19" AFF. TO CL.	36" AFF. TO CL.
TOILET SEAT COVER DISPENSER	19" AFF. TO CL.	48" AFF. TO BOT.
PAPER TOWEL DISPENSER - DISPOSAL	48" AFF. - FORWARD REACH 54" AFF. - SIDE REACH	VERIFY TYPE AND MODEL TO BE USED
ELECTRIC WATER COOLER	36" AFF. SPOUT HGT. 27" CLEAR	40" AFF. TO RIM (ADULTS) 30" AFF. TO RIM (CHILD)
ROBE HOOK	54" AFF.	66" AFF.
SHOWER ROD	54" AFF.	72" AFF.
SHOWER SEAT	17"-19" AFF. WTD. OPP. SIDE OF CONTROLS	18" AFF.
SHOWER CONTROLS/ACCS.	AREA=48" AFF. TO TOP (MAX.) 36" AFF. TO BOT. (MIN.)	4"-6" AFF. (MEN) 4"-0" AFF. (WOMEN)
SHOWER HEAD	-----	6"-1" AFF. (MEN) 5"-9" AFF. (WOMEN)
WALL MTD. SOAP DISPENSER	44" AFF. (MAX.)	38" AFF. TO CL.
UTILITY SHELF	54" AFF.	66" AFF.
MOP RACK	54" AFF.	66" AFF.
FIRE EXTINGUISHER	-----	-40LB.=5'-0" AFF. TO TOP -40LB.=3'-6" AFF. TO TOP

ADDISON RECREATION CENTER  
 3900 BELTWAY DRIVE  
 ADDISON, TEXAS



The Benham Group  
 Dallas

architects  
 engineers  
 planners  
 1341 w. mockingbird in  
 suite 517 e  
 dallas, texas



GENERAL DETAILS

drawn M. BRECHLEY  
 chkd H. ADAMS  
 date 3-19-88  
 revisions

no. date  
 1 4/21/86