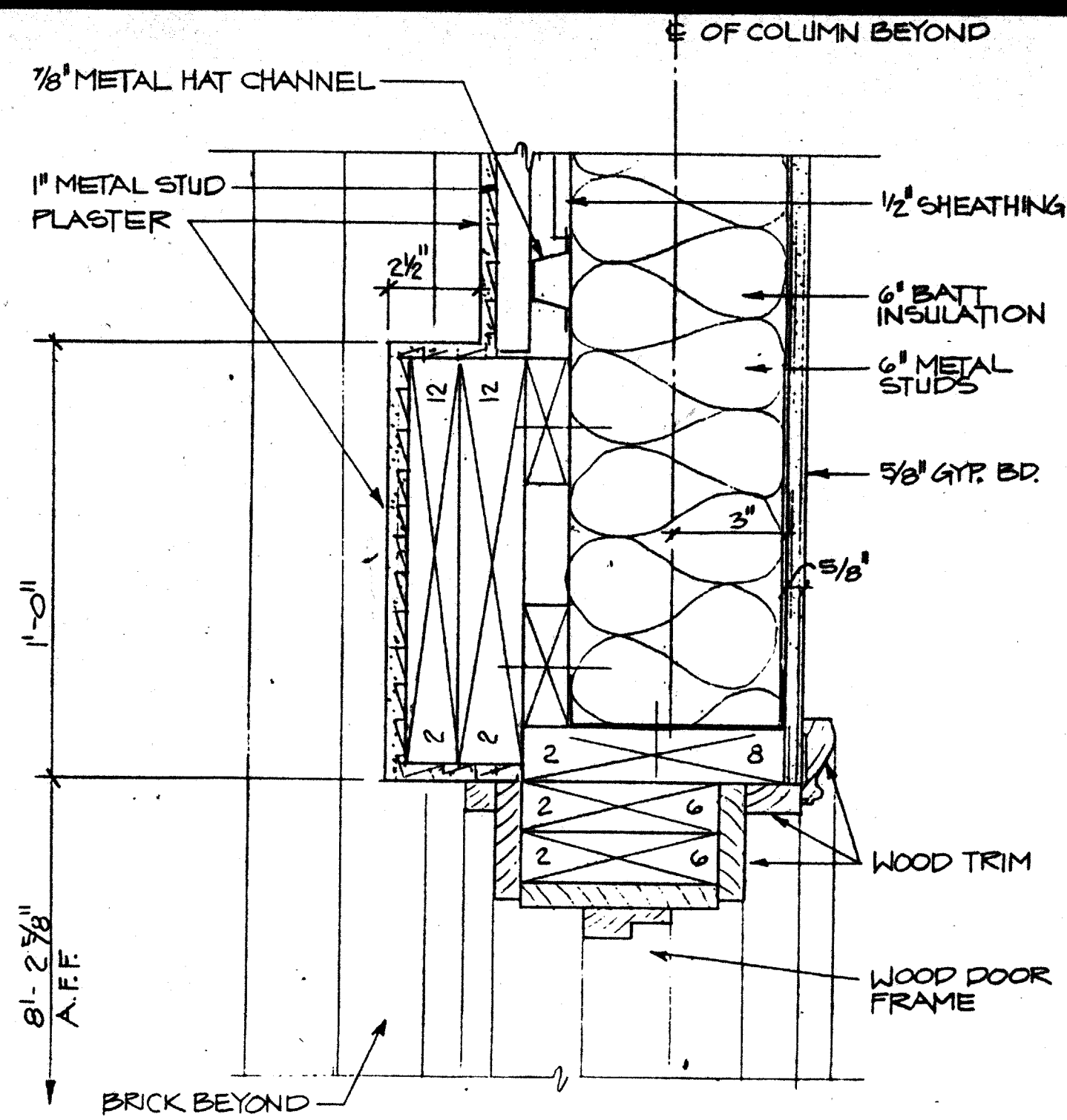
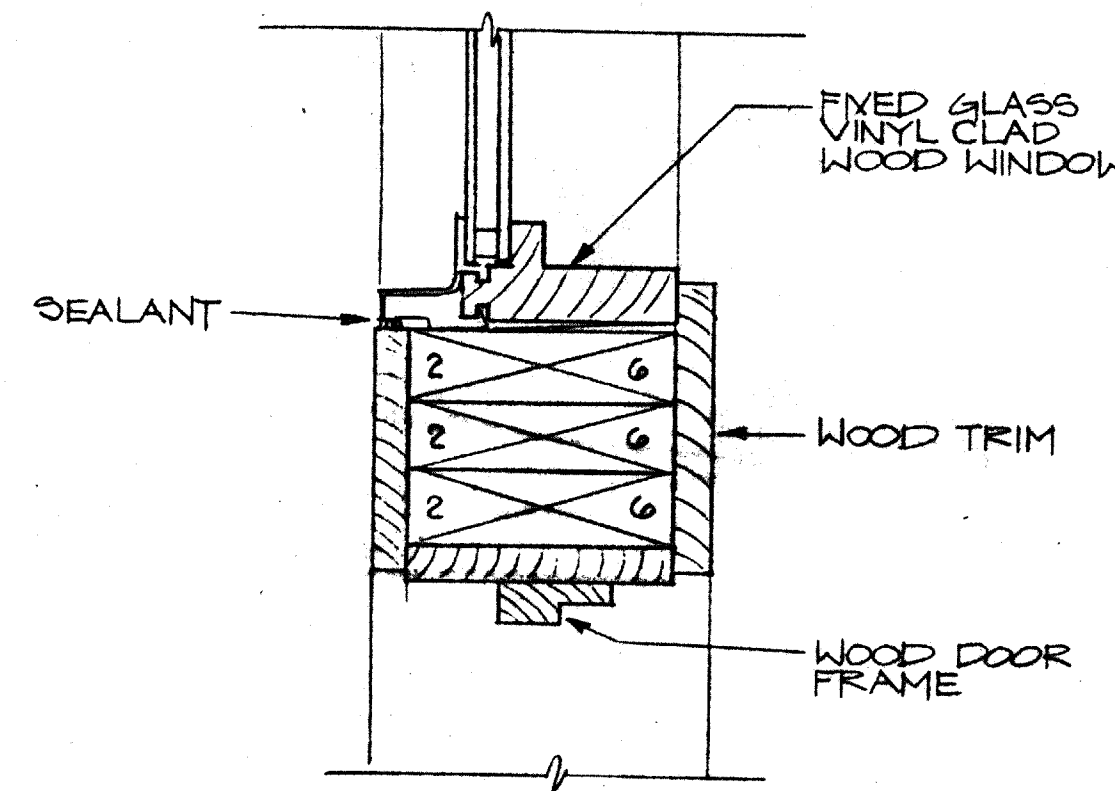


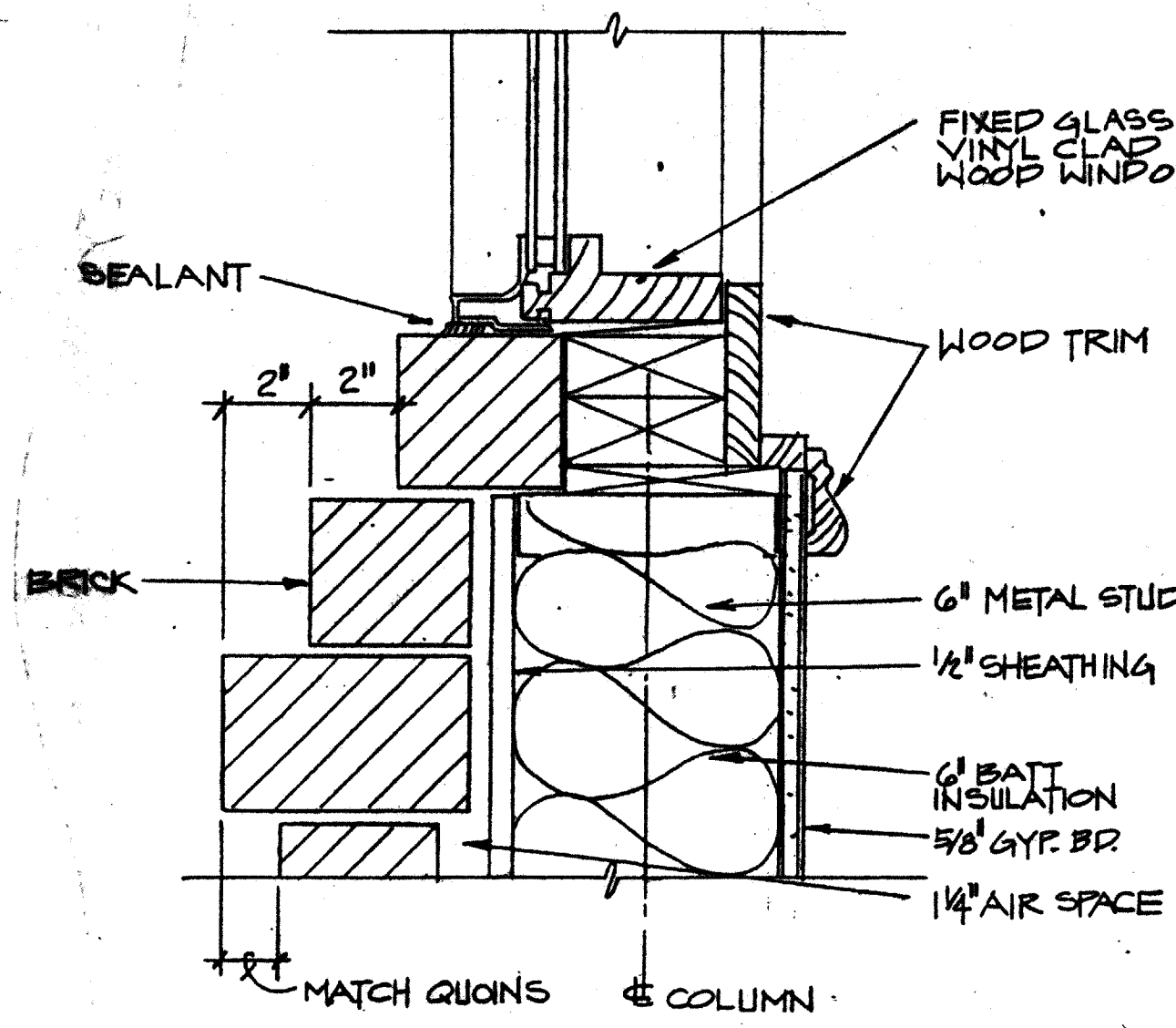
1 DETAIL - DOOR HEAD  
SCALE: 3/8" = 1'-0"



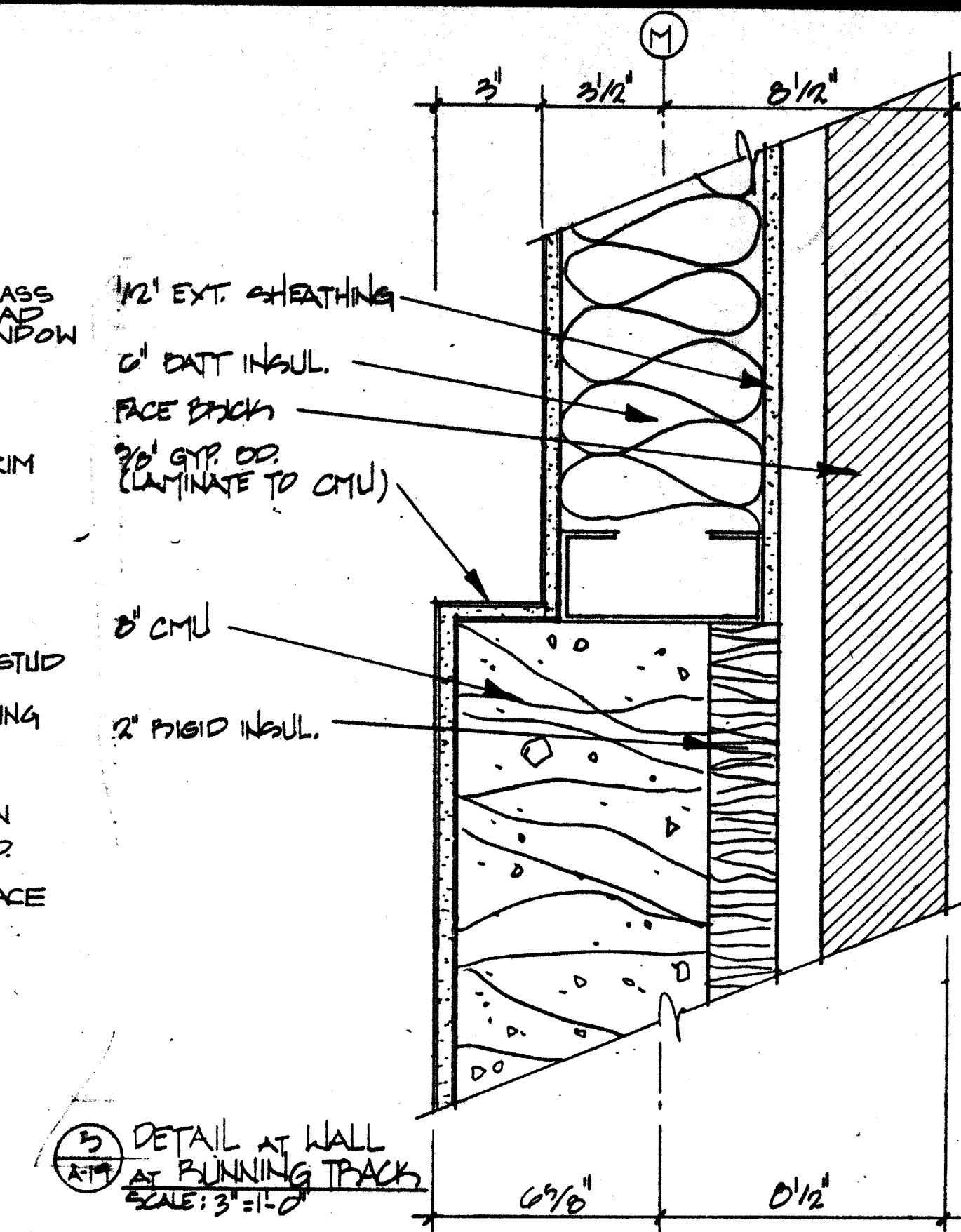
2 DETAIL - DOOR HEAD  
SCALE: 3/8" = 1'-0"



3 DETAIL - DOOR/WINDOW JAMB  
SCALE: 3/8" = 1'-0"



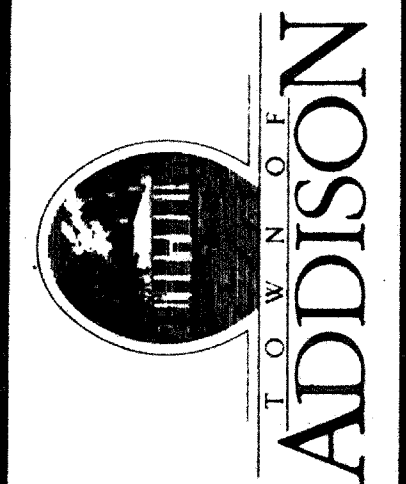
4 DETAIL - WINDOW JAMB  
SCALE: 3/8" = 1'-0"



5 DETAIL AT WALL AT RUNNING TRACK  
SCALE: 3/8" = 1'-0"

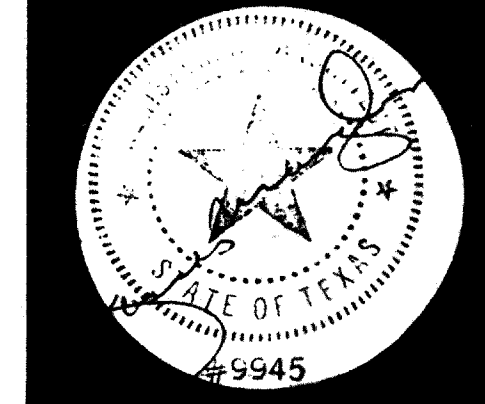
SHEET NO.	
BASE	
C	
L	
A	
S	
M	
E	

ADDISON RECREATION CENTER  
3900 BELTWAY DRIVE  
ADDISON, TEXAS



The Benham Group  
Dallas

architects  
engineers  
planners  
1341 w. mockingbird ln.  
suite 517 e  
dallas, texas



GENERAL DETAILS

drawn H. HAMILTON  
chkd H. ADAMS  
date 3-28-80  
revisions

no.	date