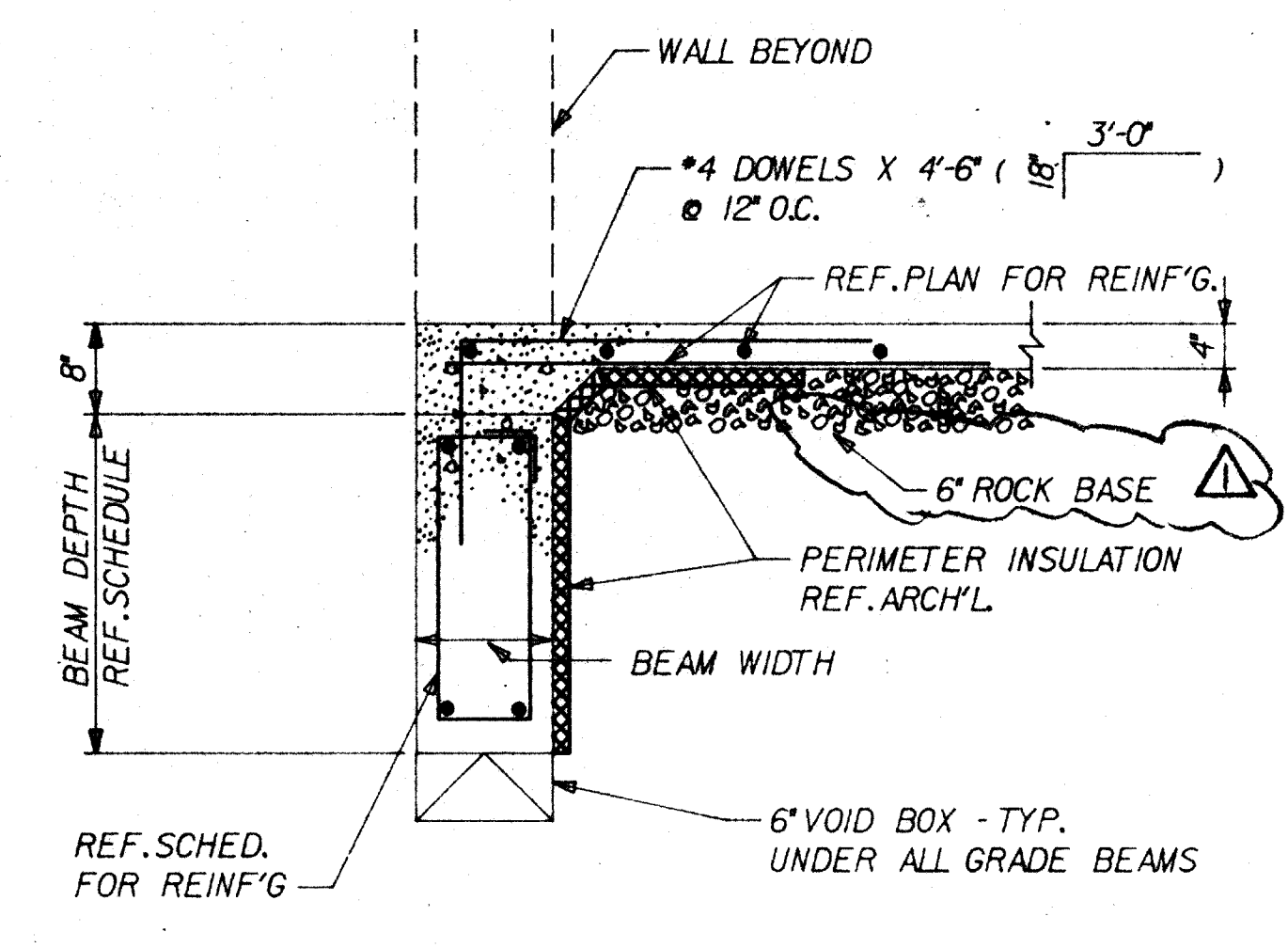


SHEET NO.	
DATE	
BY	
CHECKED	
APPROVED	

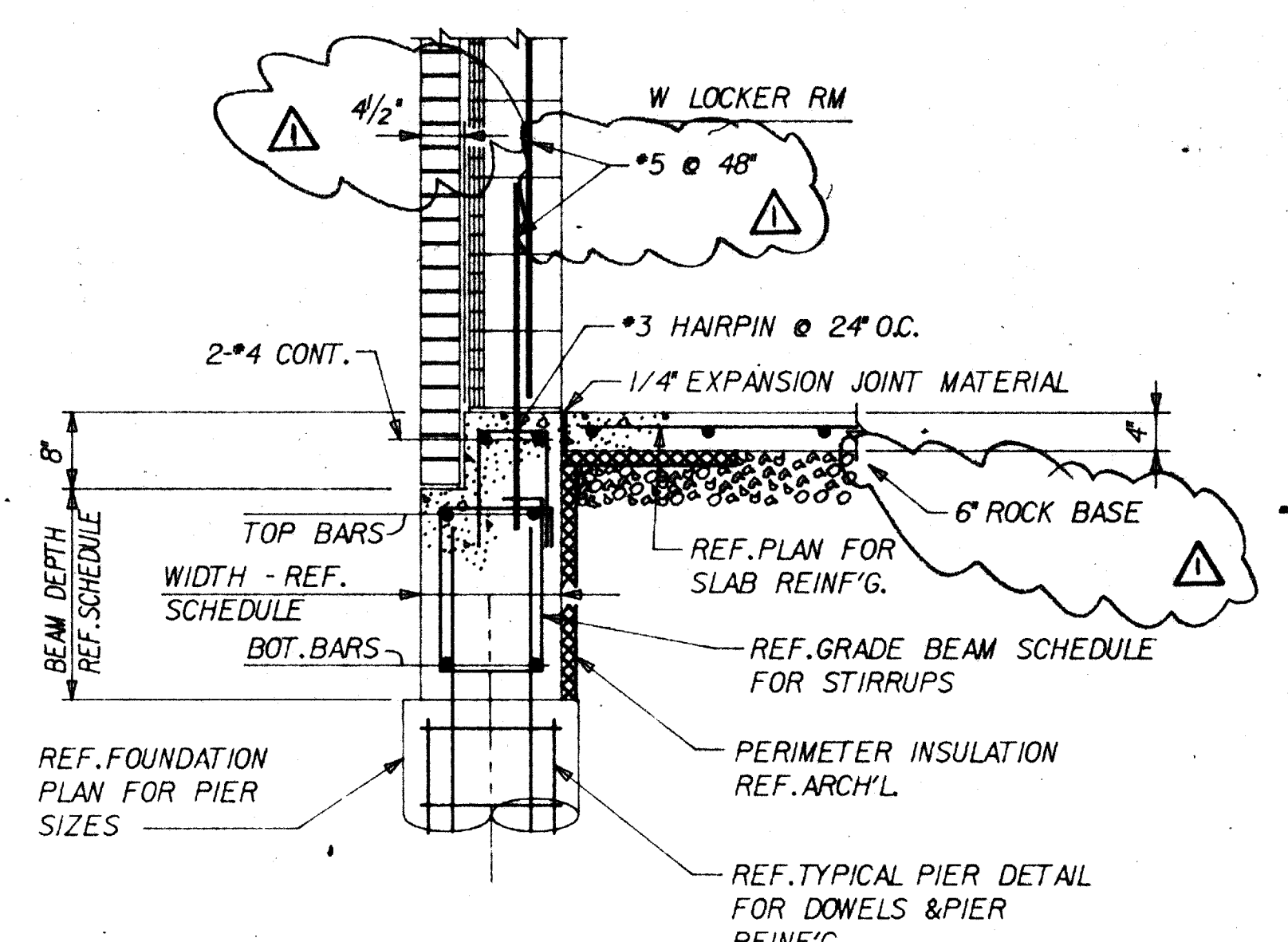
**ADDISON RECREATION CENTER**  
 3900 BELTWAY DRIVE  
 ADDISON, TEXAS

**The Benham Group**  
 Dallas  
 architects  
 engineers  
 planners  
 1341 w. mockingbird ln.  
 suite 517 e  
 dallas, texas

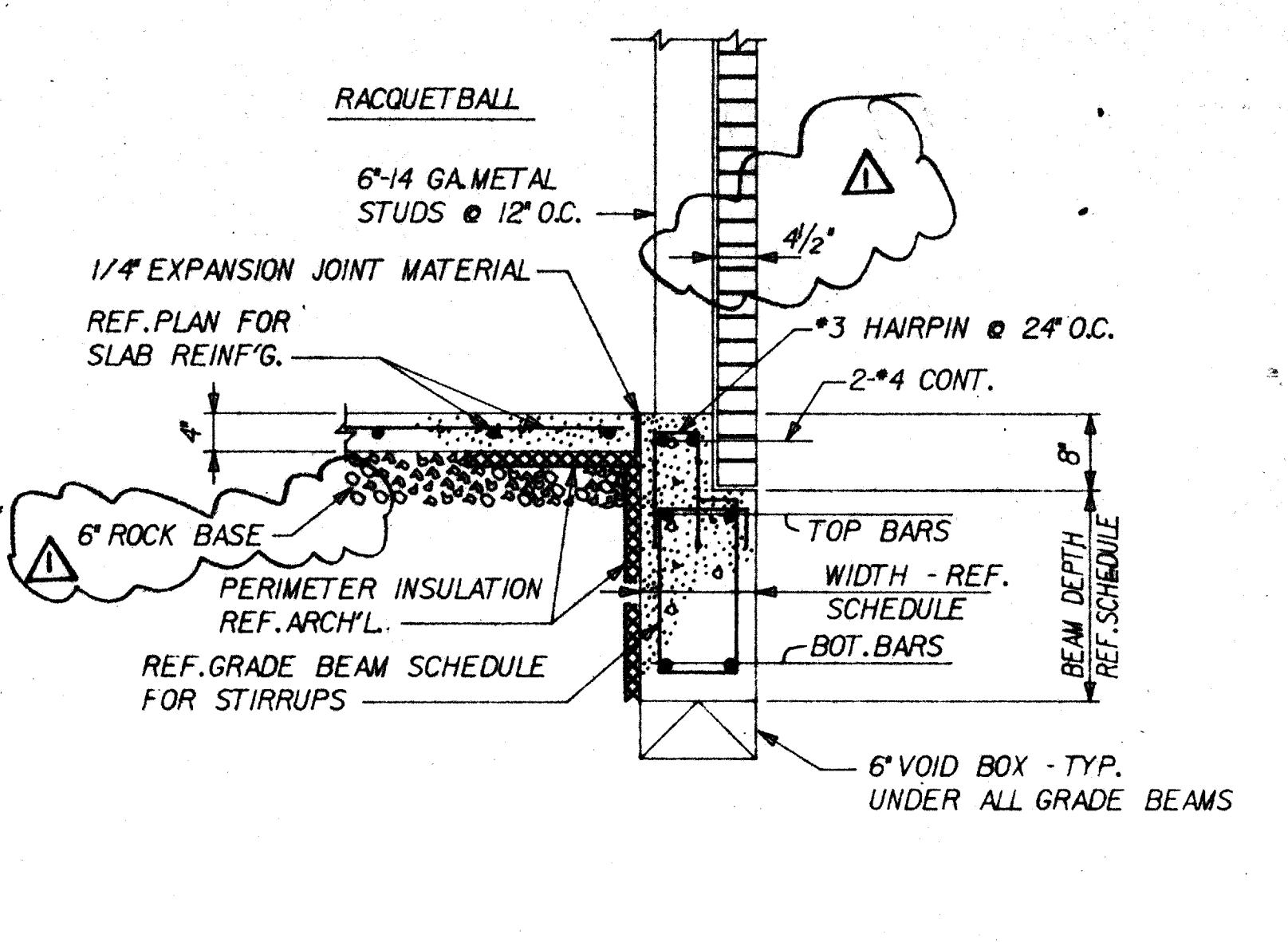
FOUNDATION and SLAB  
 DETAILS SHEET 1  
 drawn D. MESSNER  
 chkd E. KOCHICK  
 date 3-19-86  
 no. 4-21-86  
 date



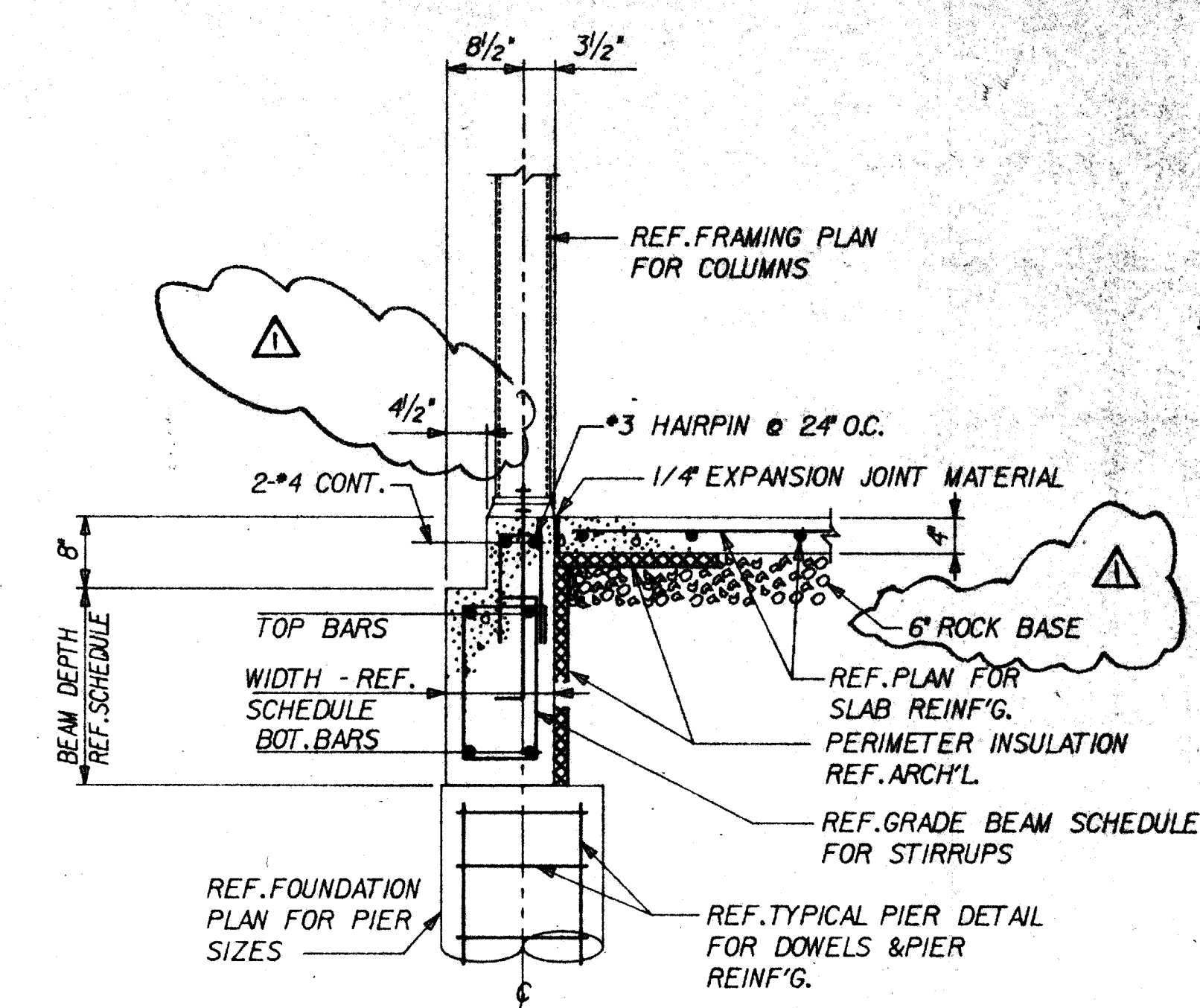
**GRADE BEAM DETAIL @ EXTERIOR DOORS**  
 SCALE: 3/4" = 1'-0"



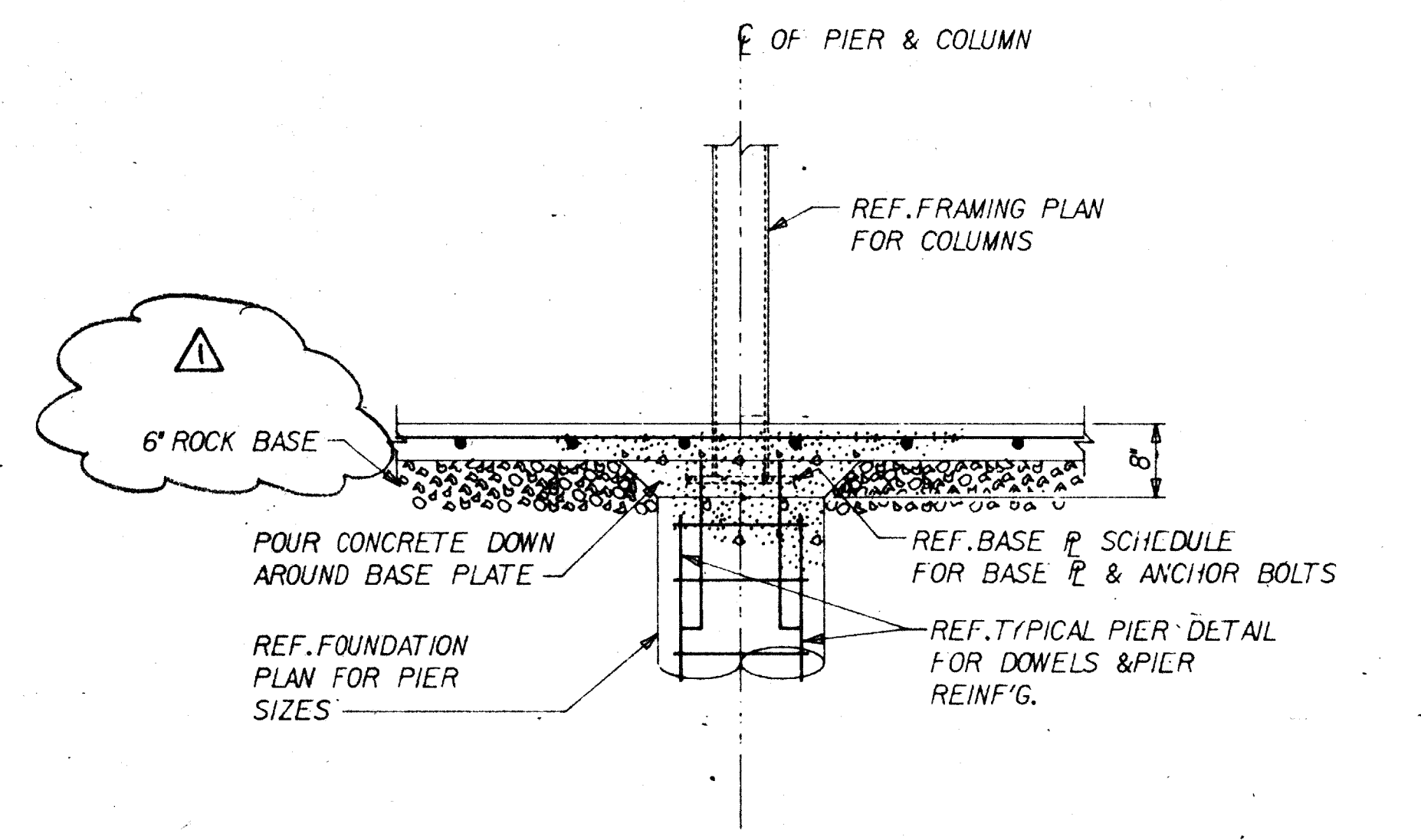
**GRADE BEAM DETAIL @ LOCKER ROOMS**  
 SCALE: 3/4" = 1'-0"



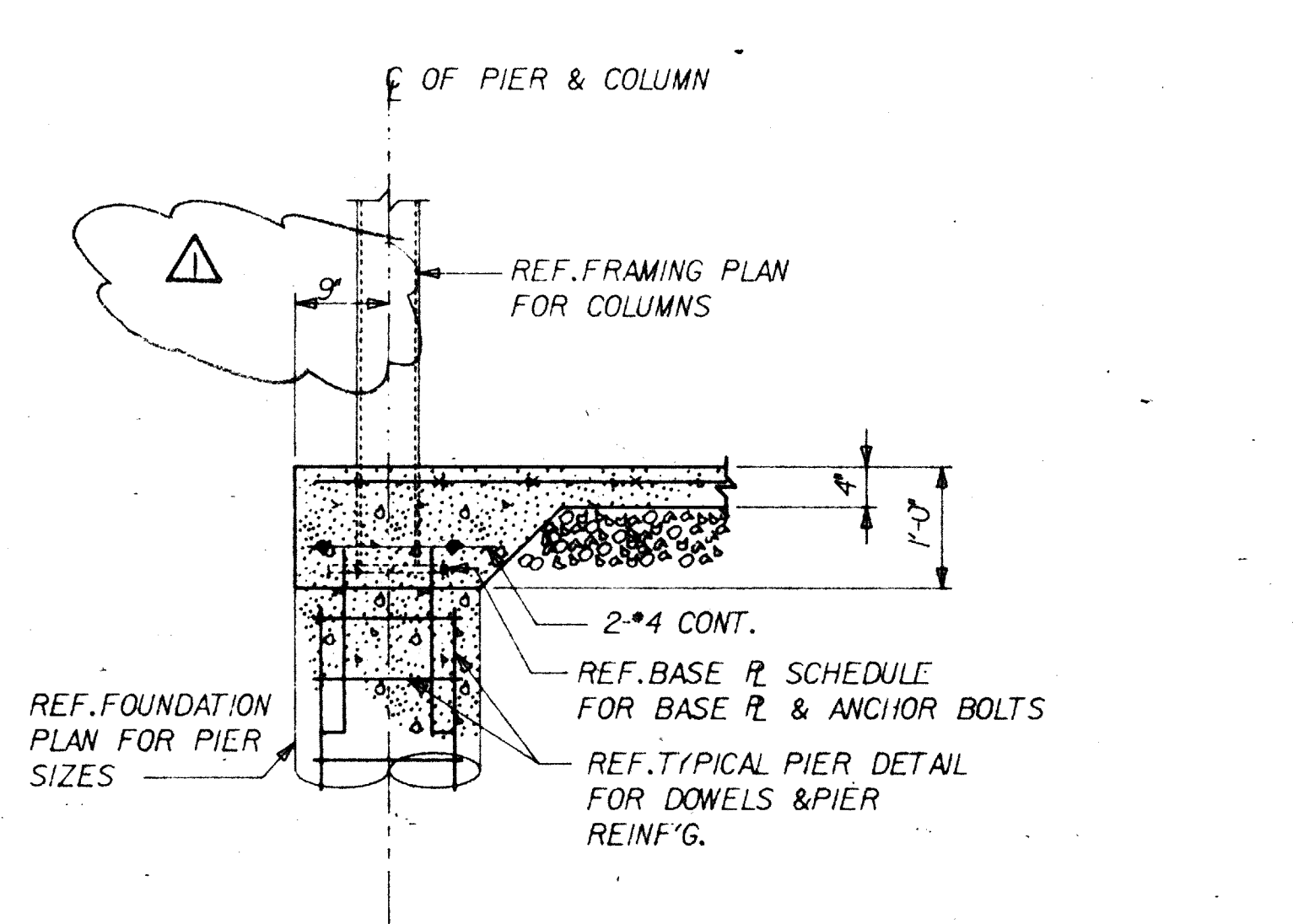
**GRADE BEAM DETAIL @ STUD WALL**  
 SCALE: 3/4" = 1'-0"



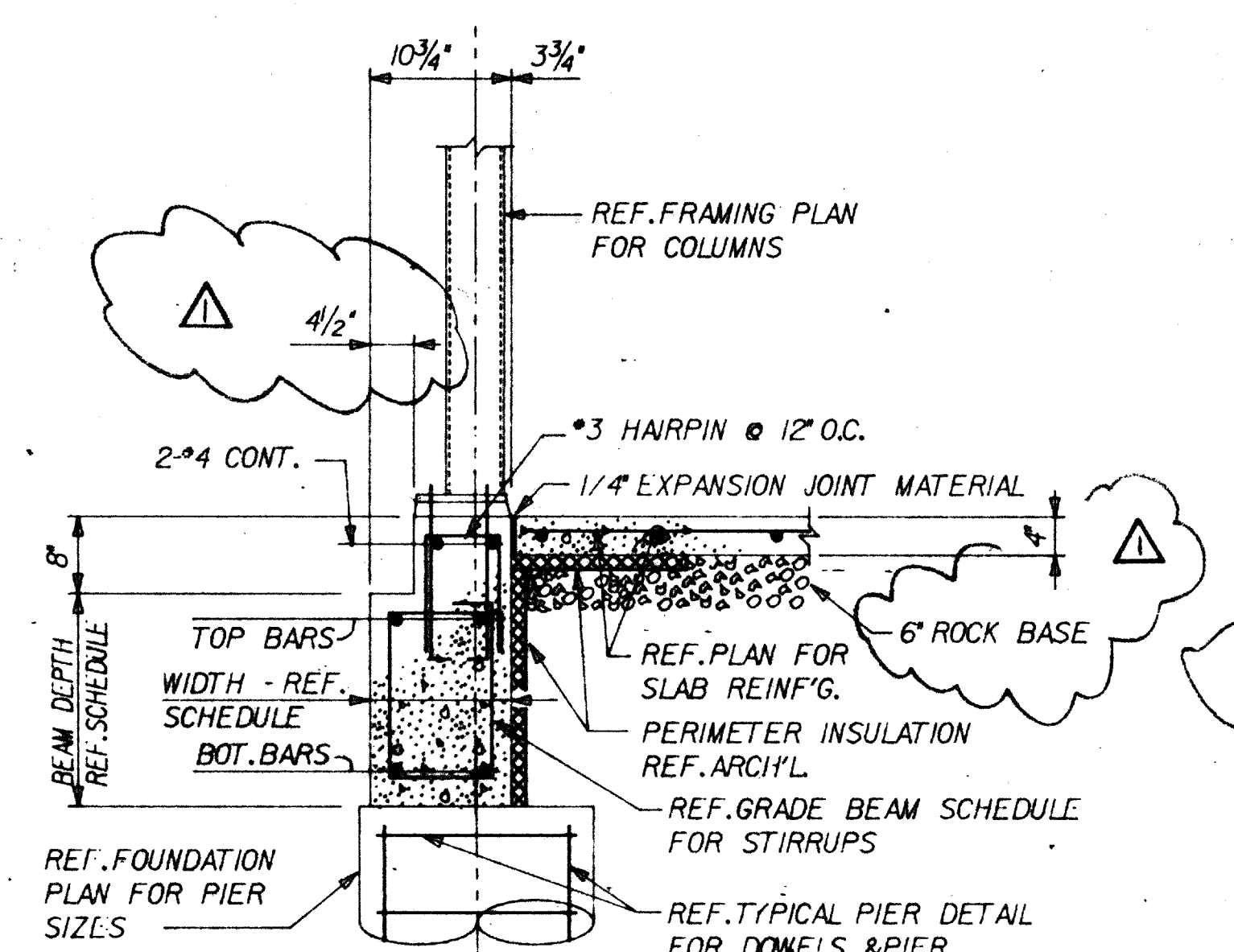
**GRADE BEAM DETAIL @ COLUMN**  
 SCALE: 3/4" = 1'-0"



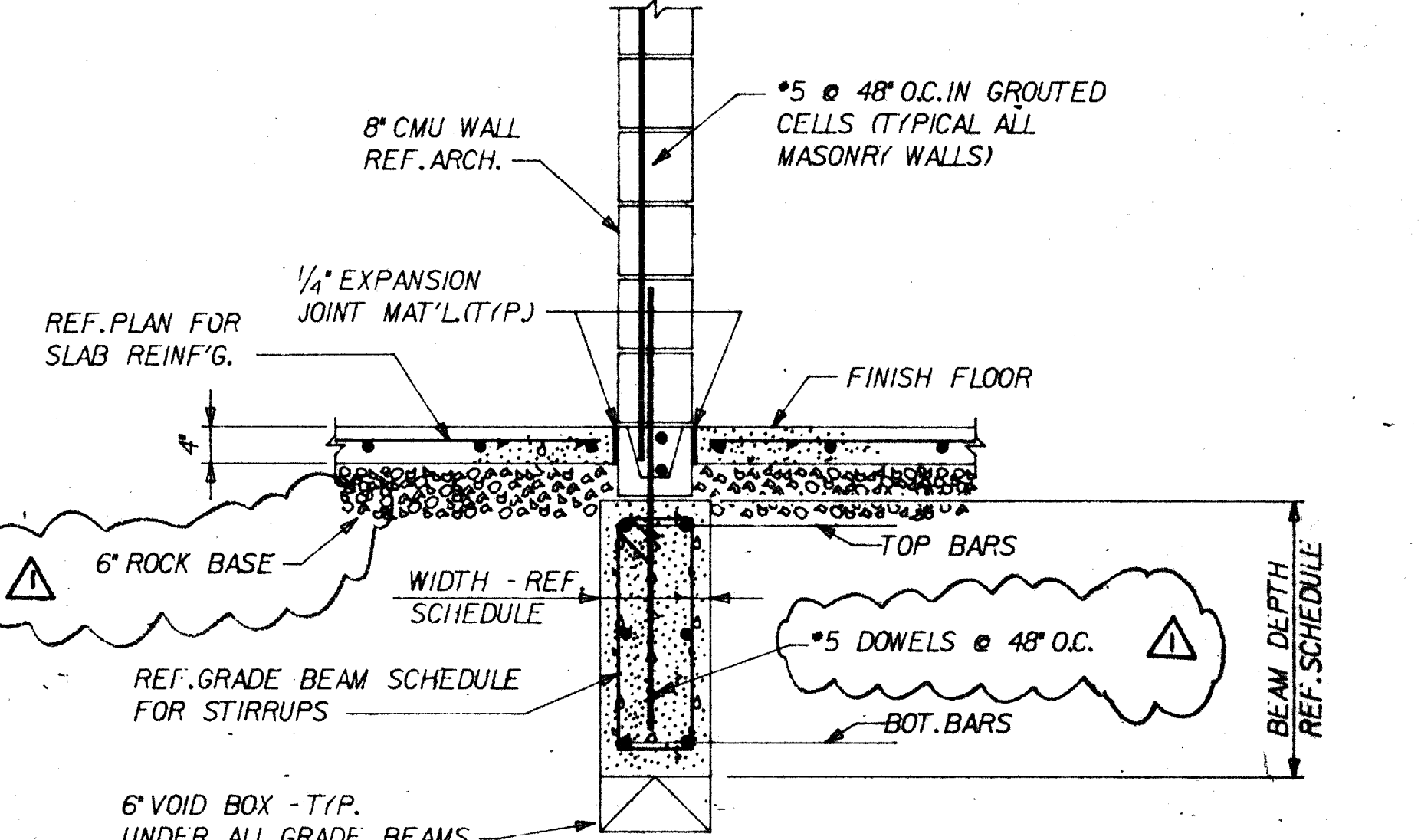
**TYPICAL DETAIL @ INTERIOR COLUMN**  
 SCALE: 3/4" = 1'-0"



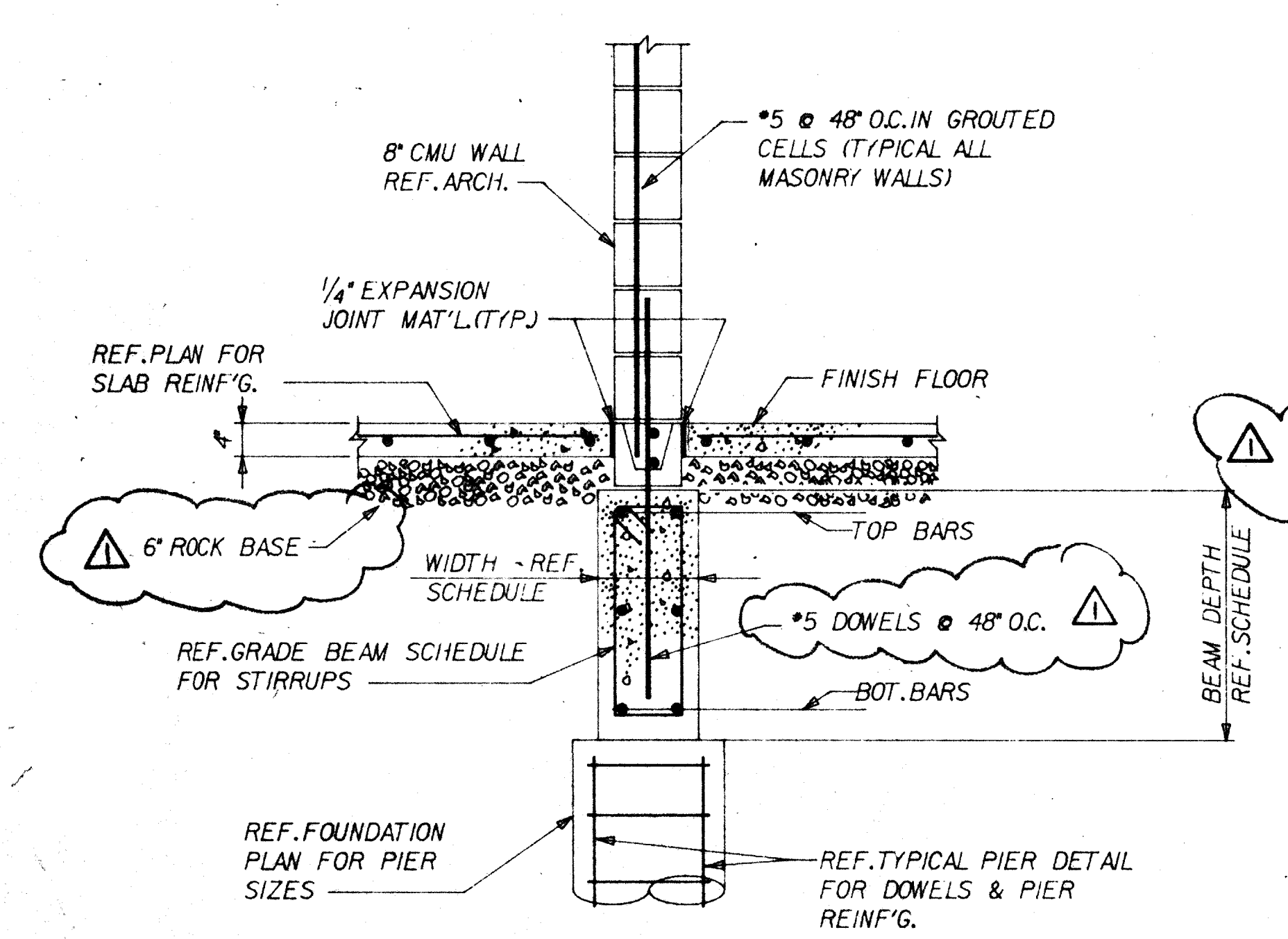
**GRADE BEAM DETAIL @ EXTERIOR COLUMN**  
 SCALE: 3/4" = 1'-0"



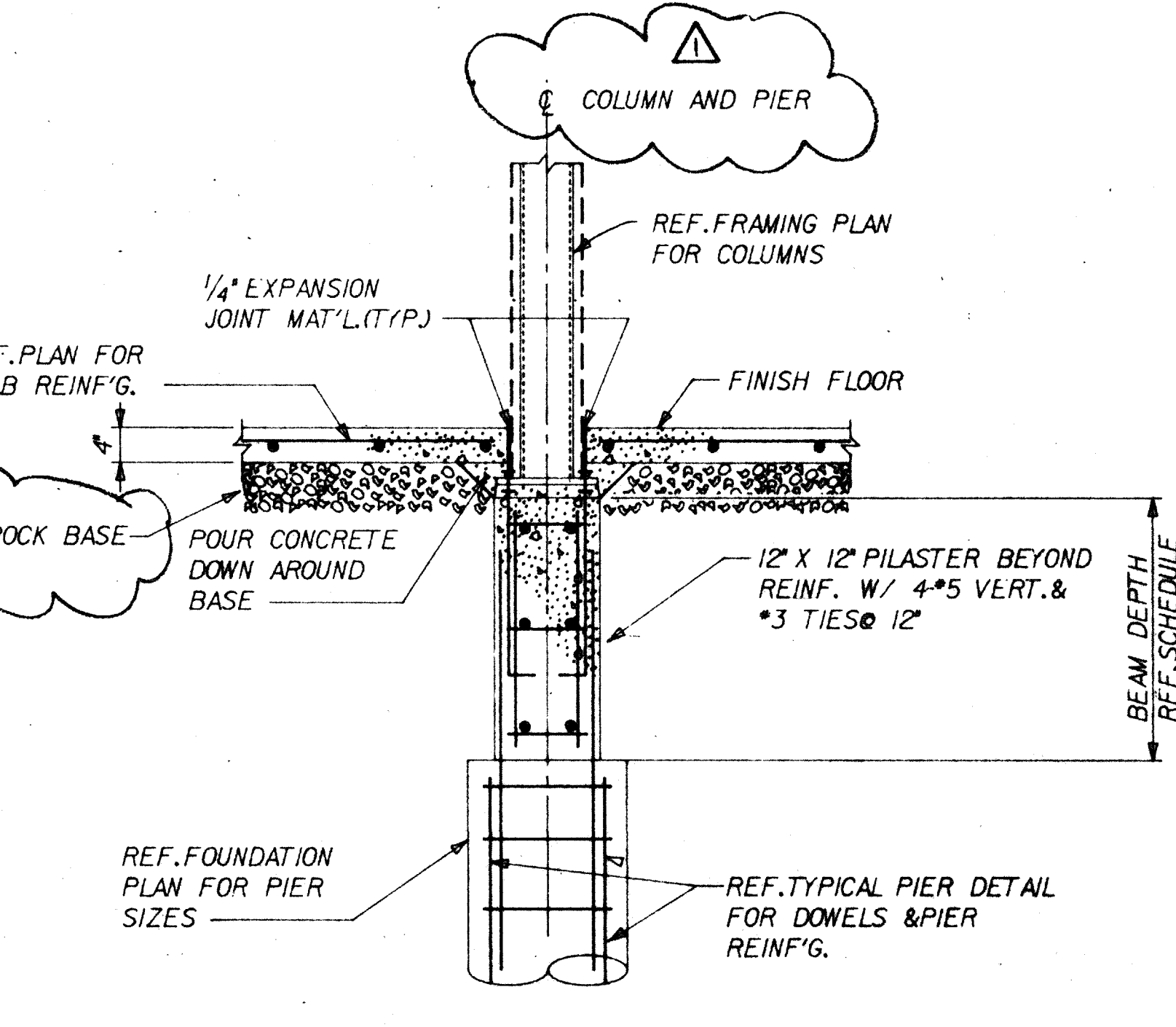
**GRADE BEAM DETAIL @ COLUMN**  
 SCALE: 3/4" = 1'-0"



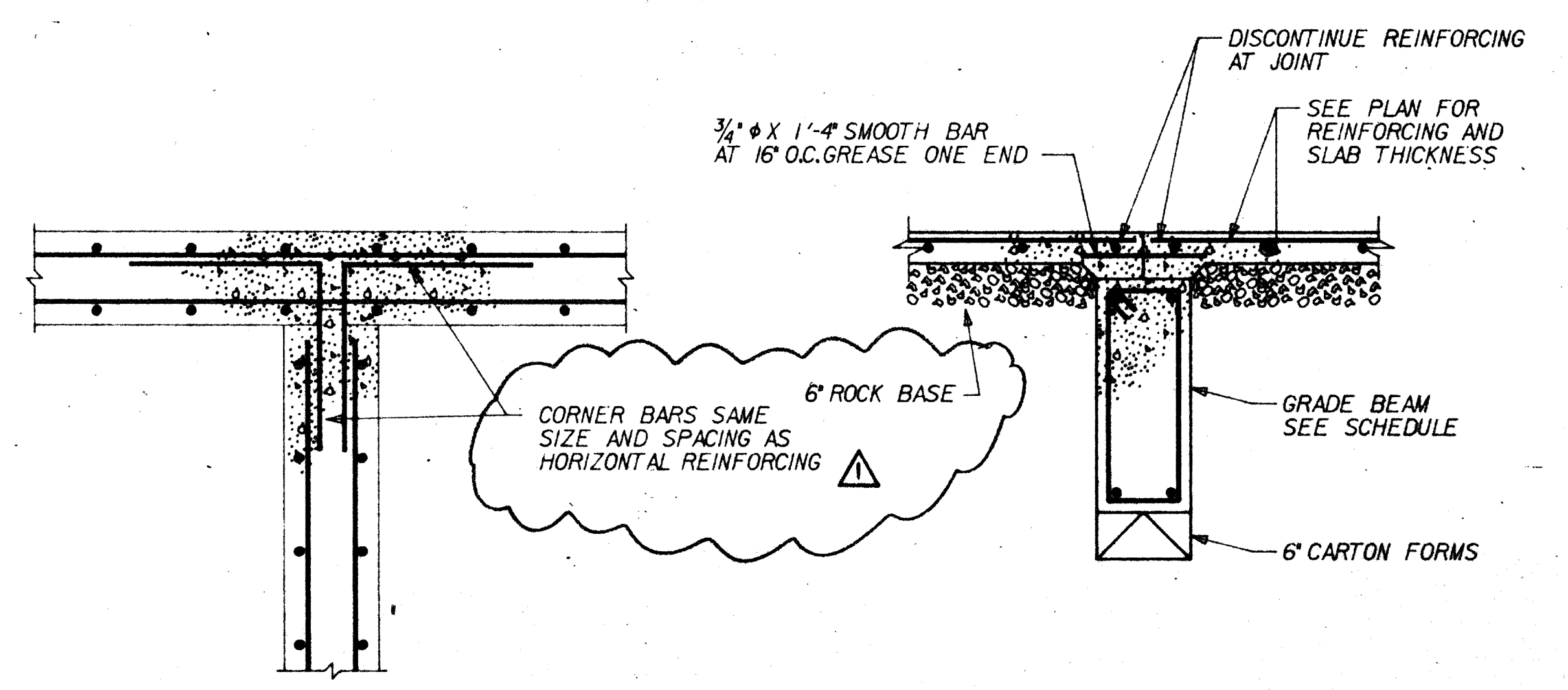
**SECTION @ GRADE BEAM**  
 SCALE: 3/4" = 1'-0"



**TYPICAL INTERIOR GRADE BEAM @ PIER**  
 SCALE: 3/4" = 1'-0"



**COLUMN DETAIL @ PILASTER**  
 SCALE: 3/4" = 1'-0"



**TYPICAL DETAIL AT GRADE BEAM OR WALL INTERSECTION**  
 NO SCALE

**TYPICAL SECTION OF CONSTRUCTION JOINT AT DOORWAY**  
 NO SCALE