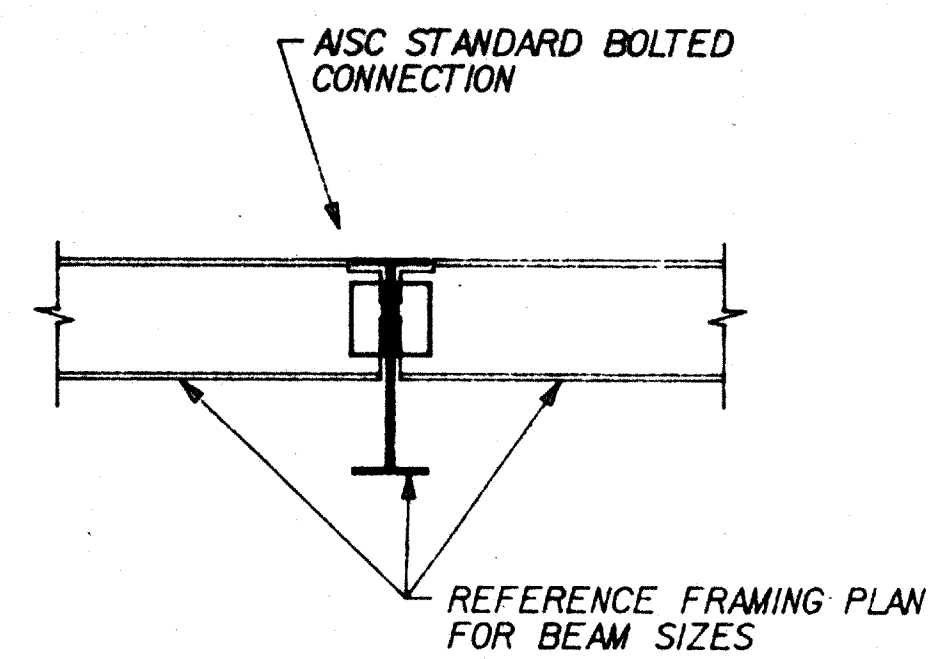
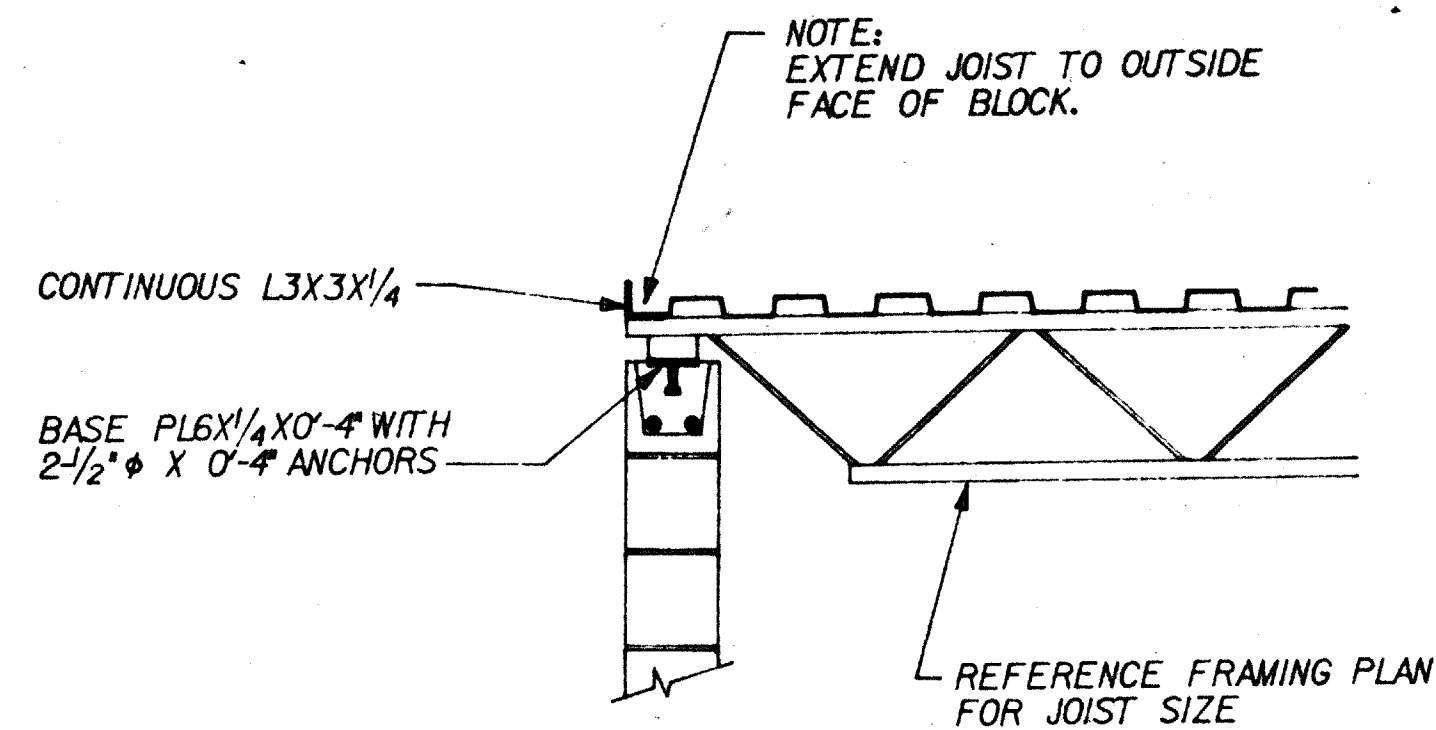


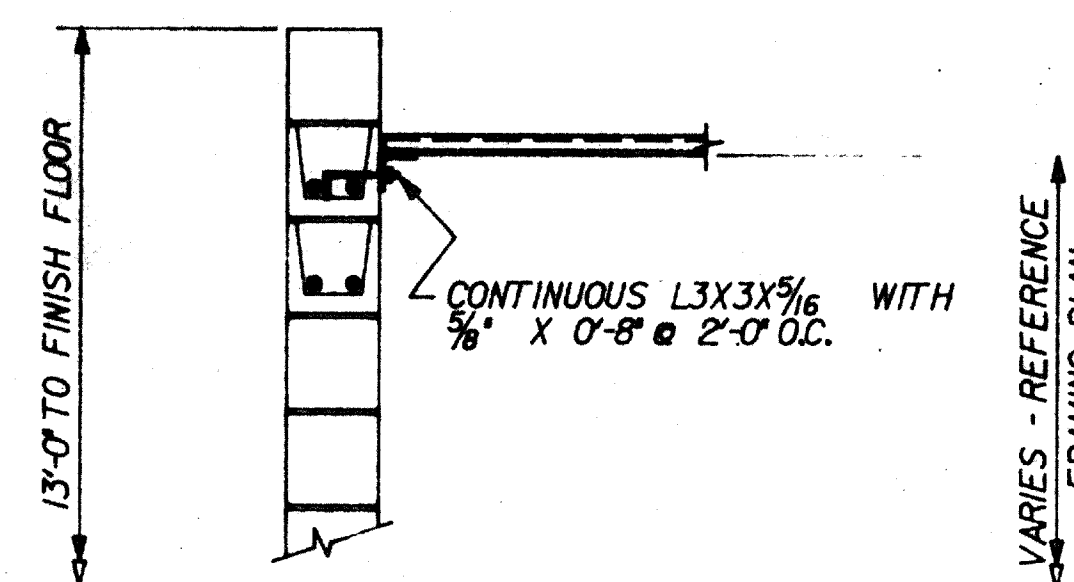
SHEET NO.	
BASE	
C	
F	
A	
D	
E	
G	
H	
I	
J	
K	
L	
M	
N	
O	
P	
Q	
R	
S	
T	
U	
V	
W	
X	
Y	
Z	



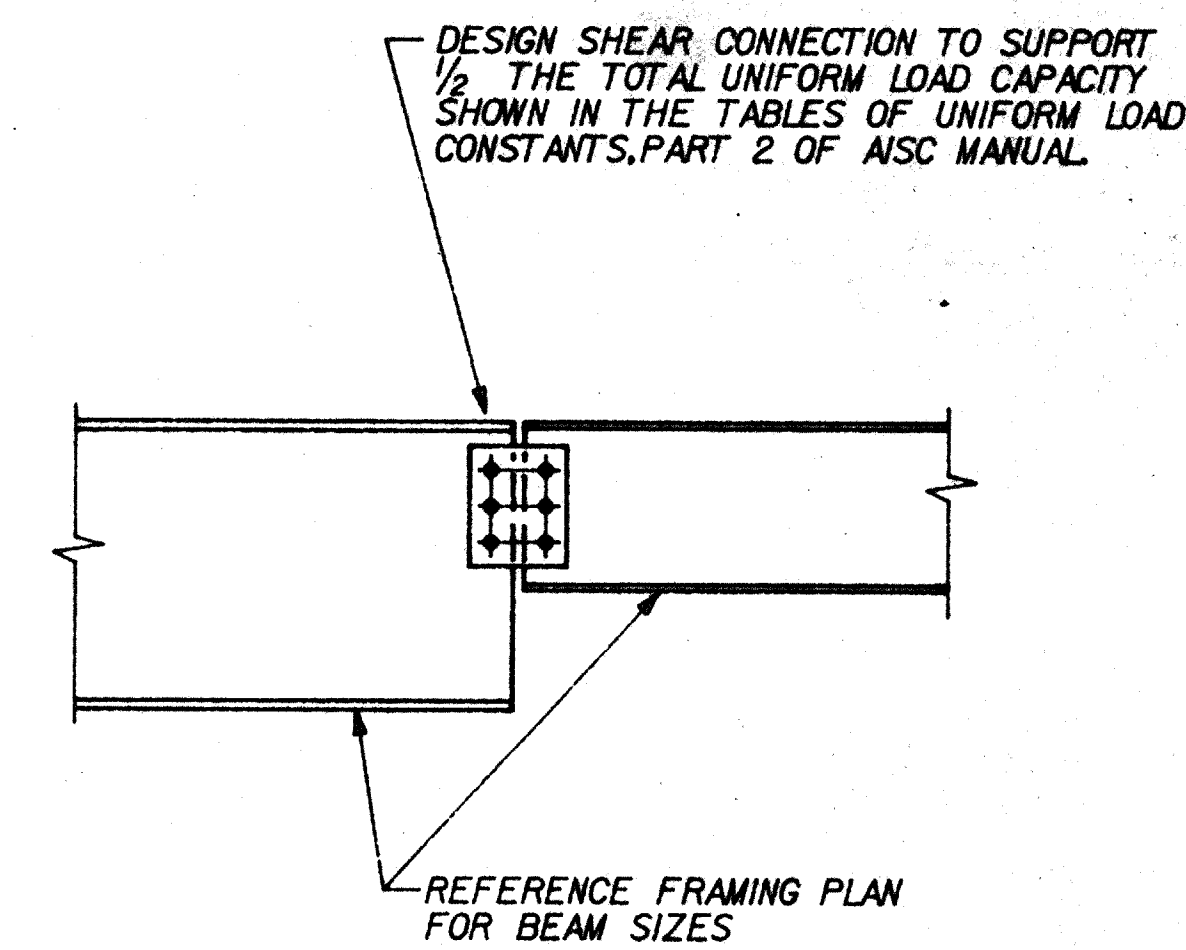
TYPICAL BEAM CONNECTION
NO SCALE



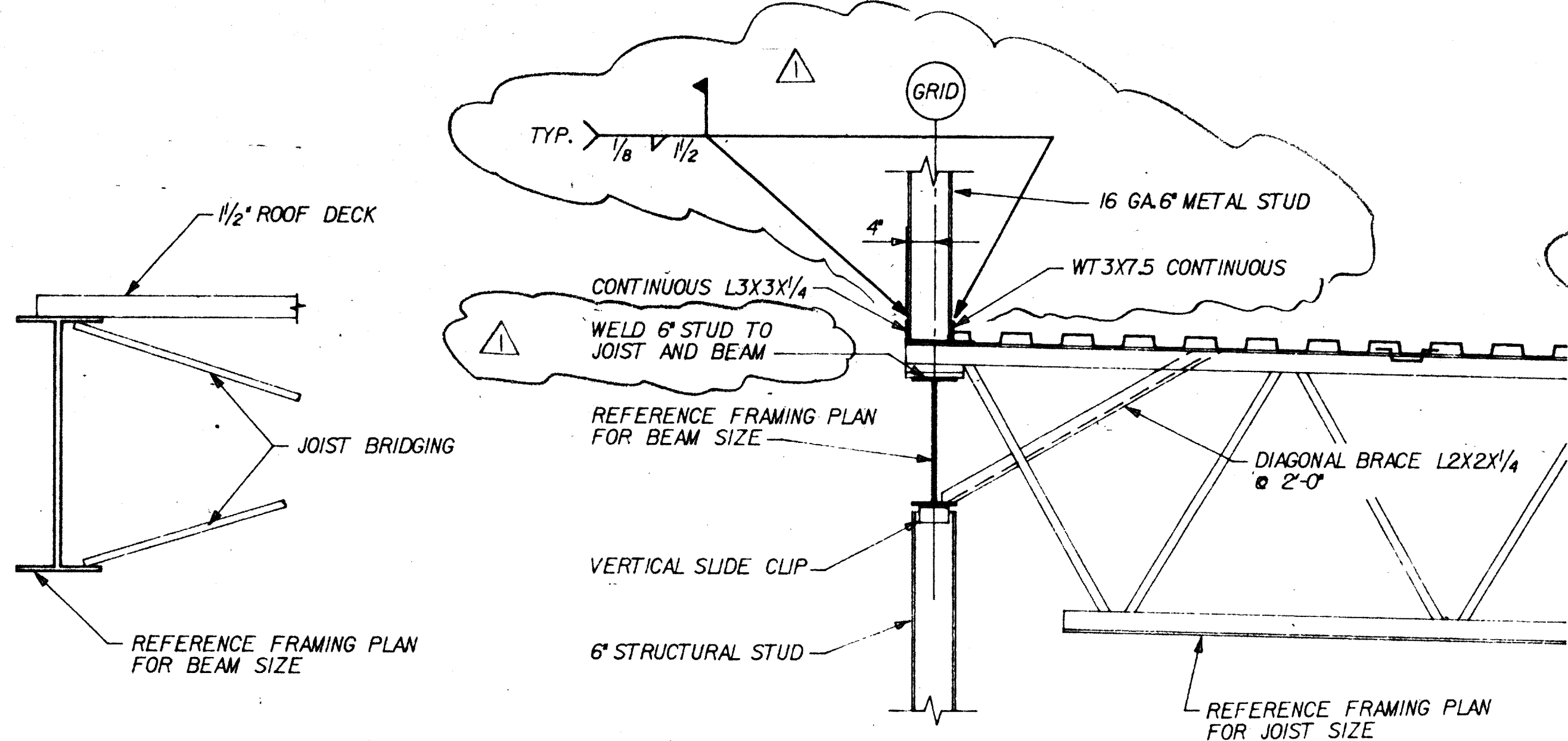
ROOF JOIST DETAIL @ LOCKERS
SCALE: 3/4" = 1'-0"



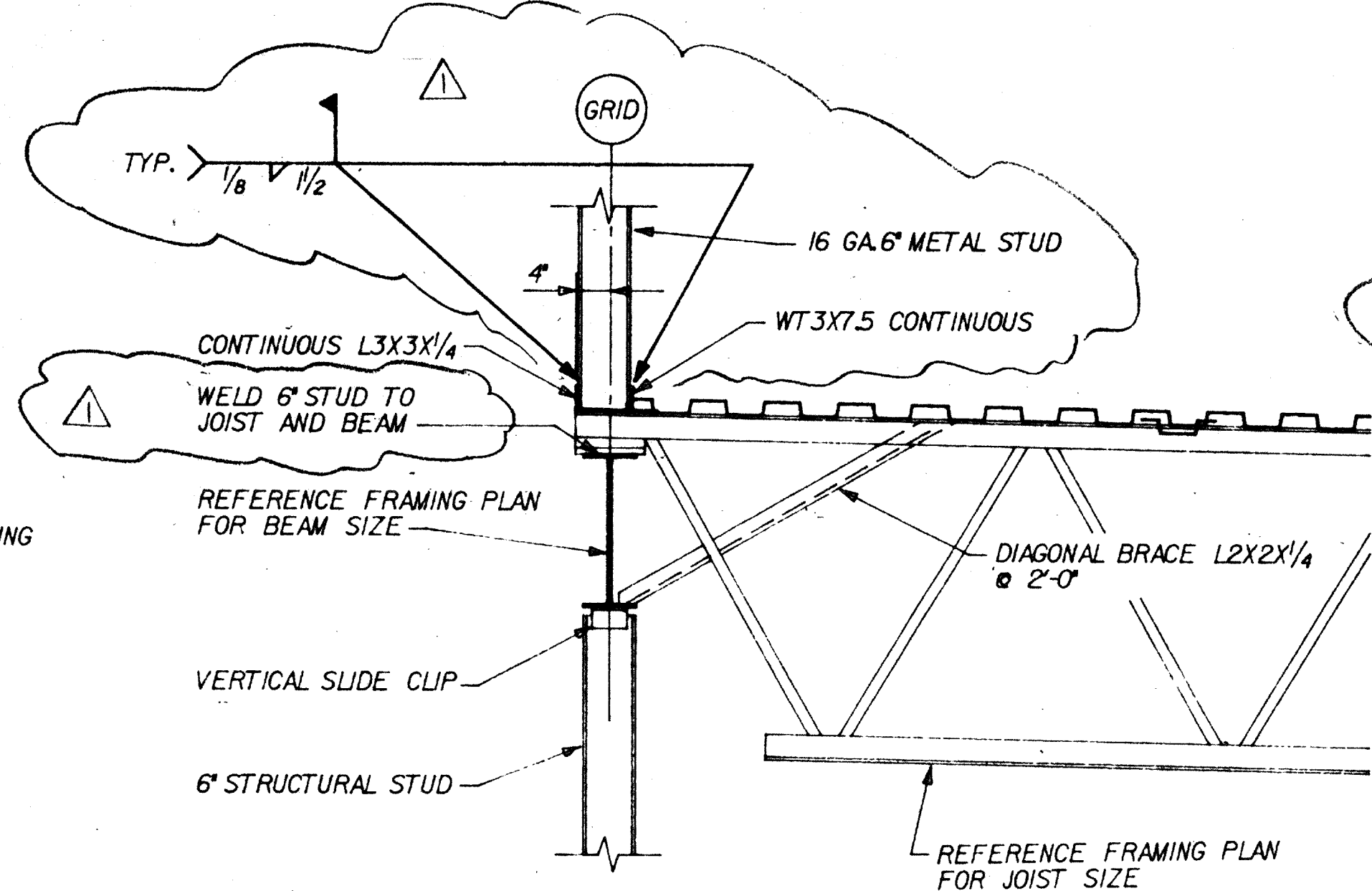
DECK BEARING DETAIL @ LOCKERS
SCALE: 3/4" = 1'-0"



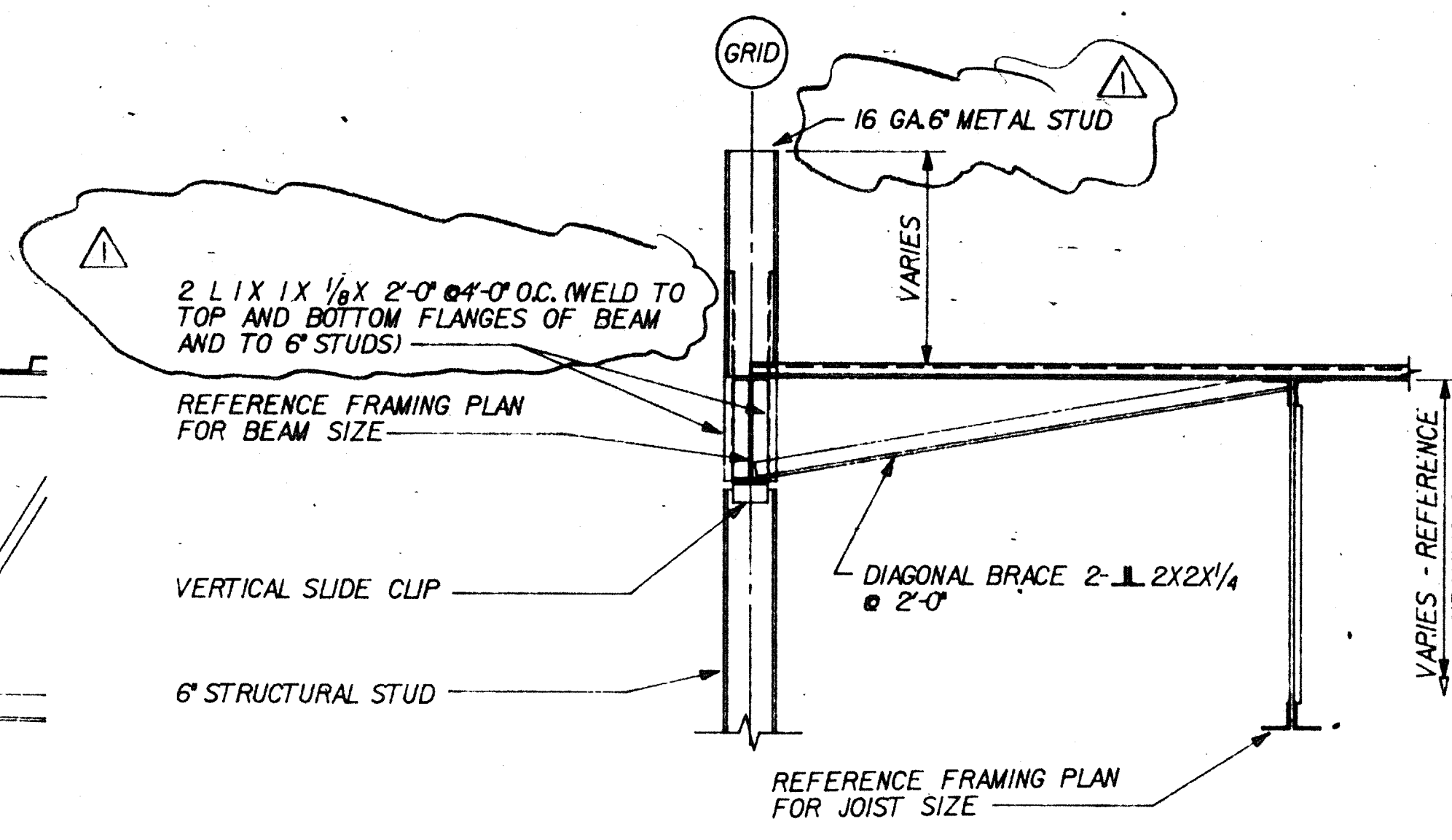
TYPICAL BEAM SPLICE DETAIL
SCALE: 3/4" = 1'-0"



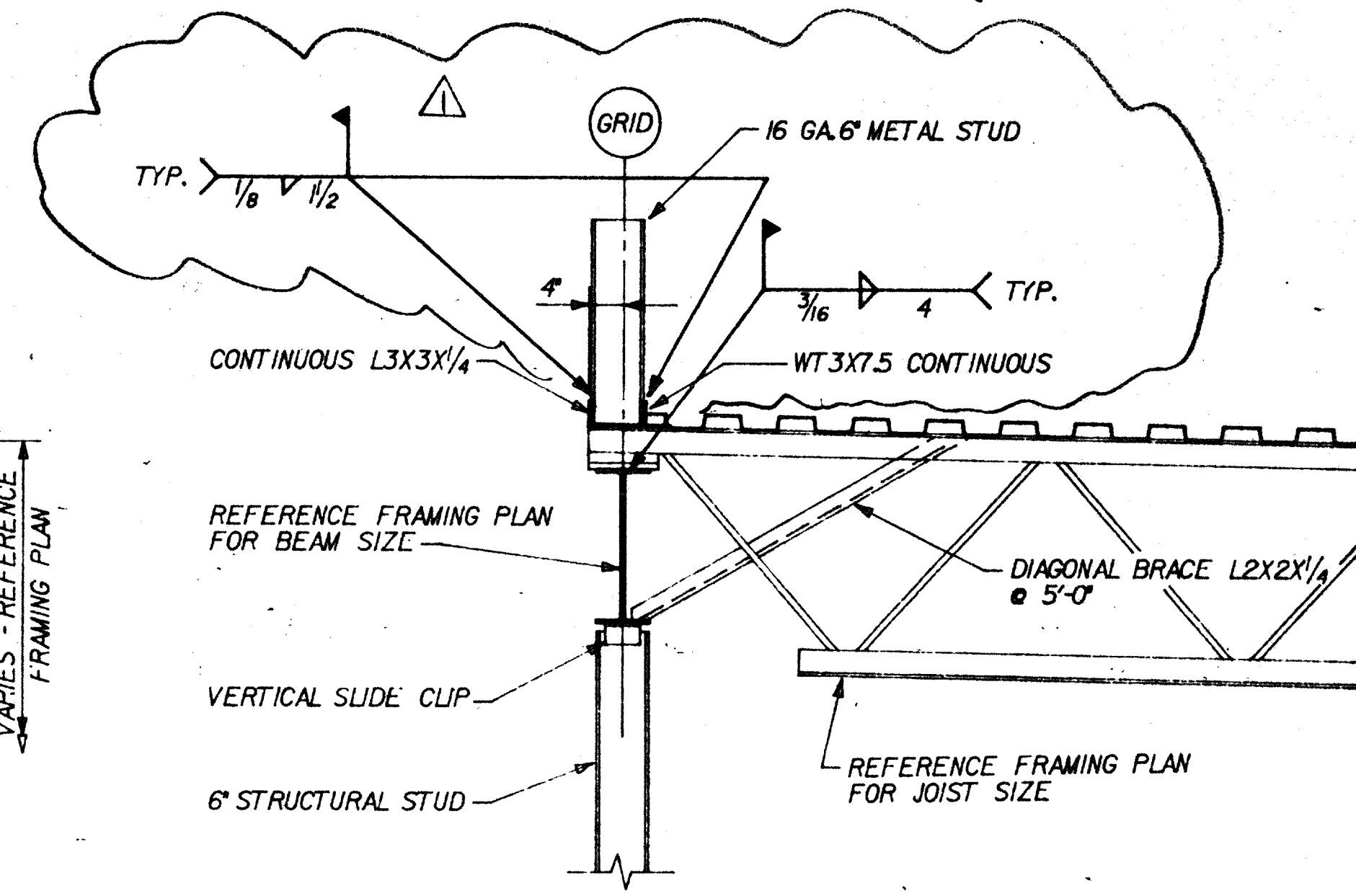
BRIDGING CONNECTION TO BEAM
NO SCALE



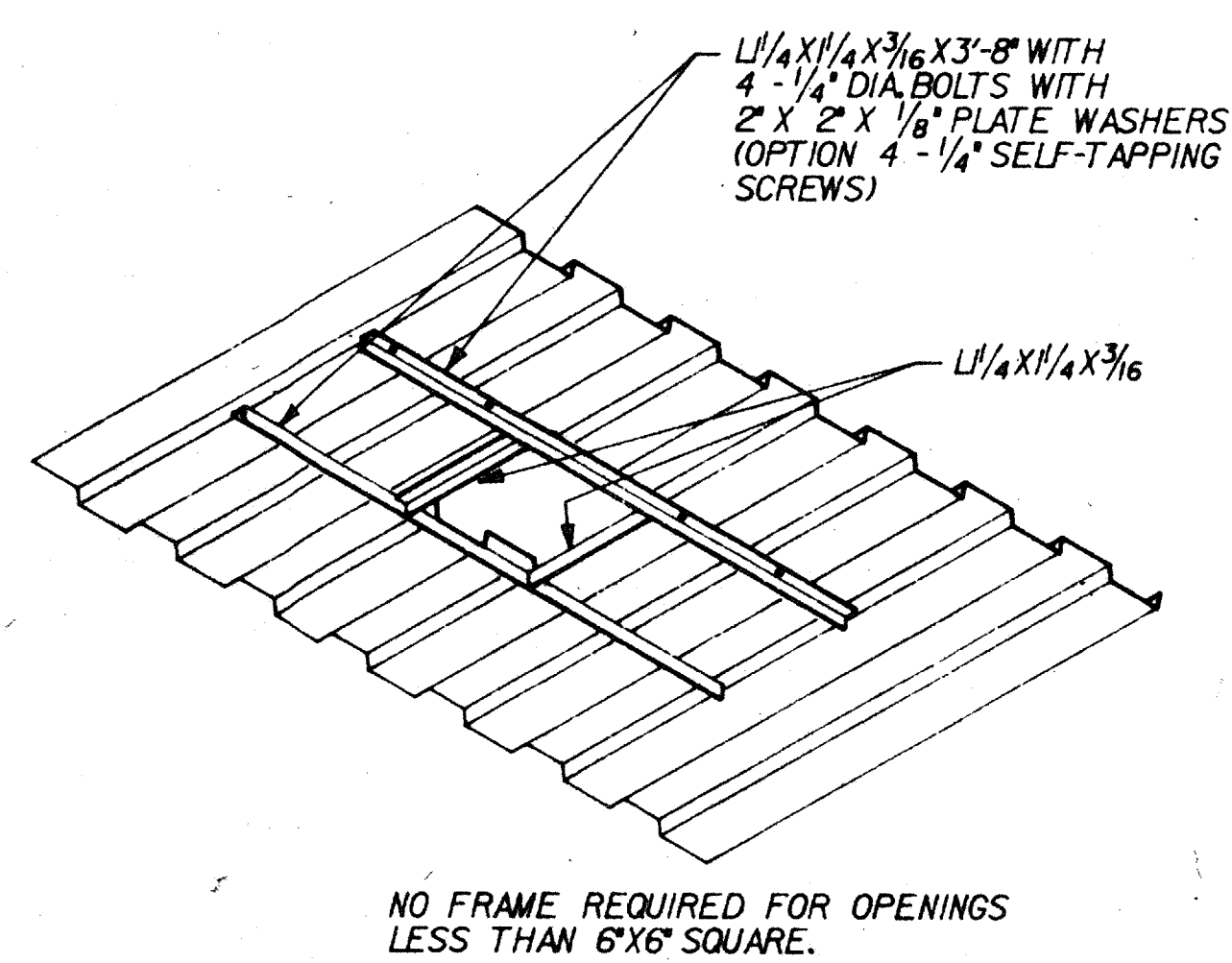
JOIST DETAIL @ GYMNASIUM ROOF
SCALE: 3/4" = 1'-0"



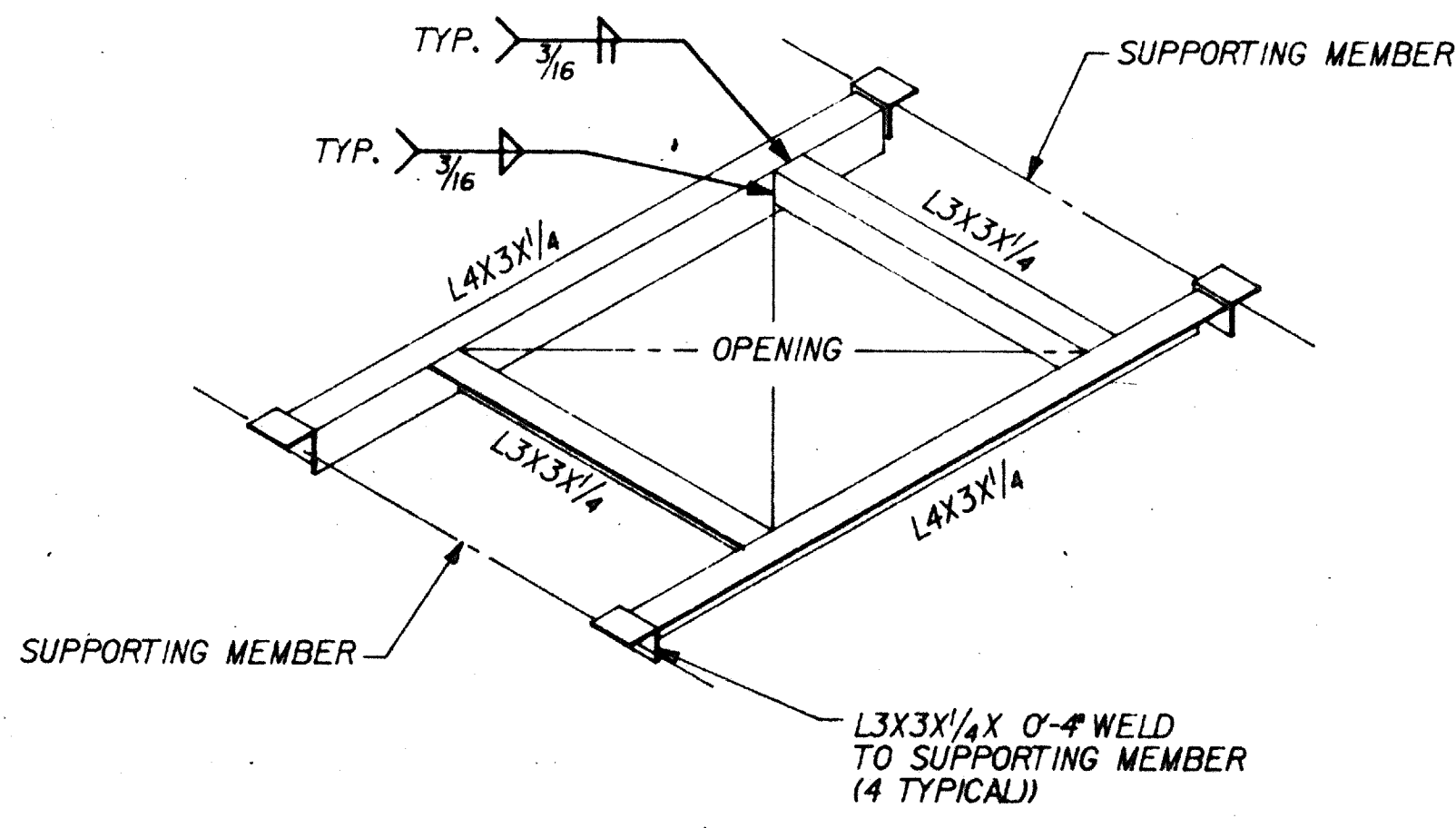
JOIST DETAIL @ GYMNASIUM ROOF
SCALE: 3/4" = 1'-0"



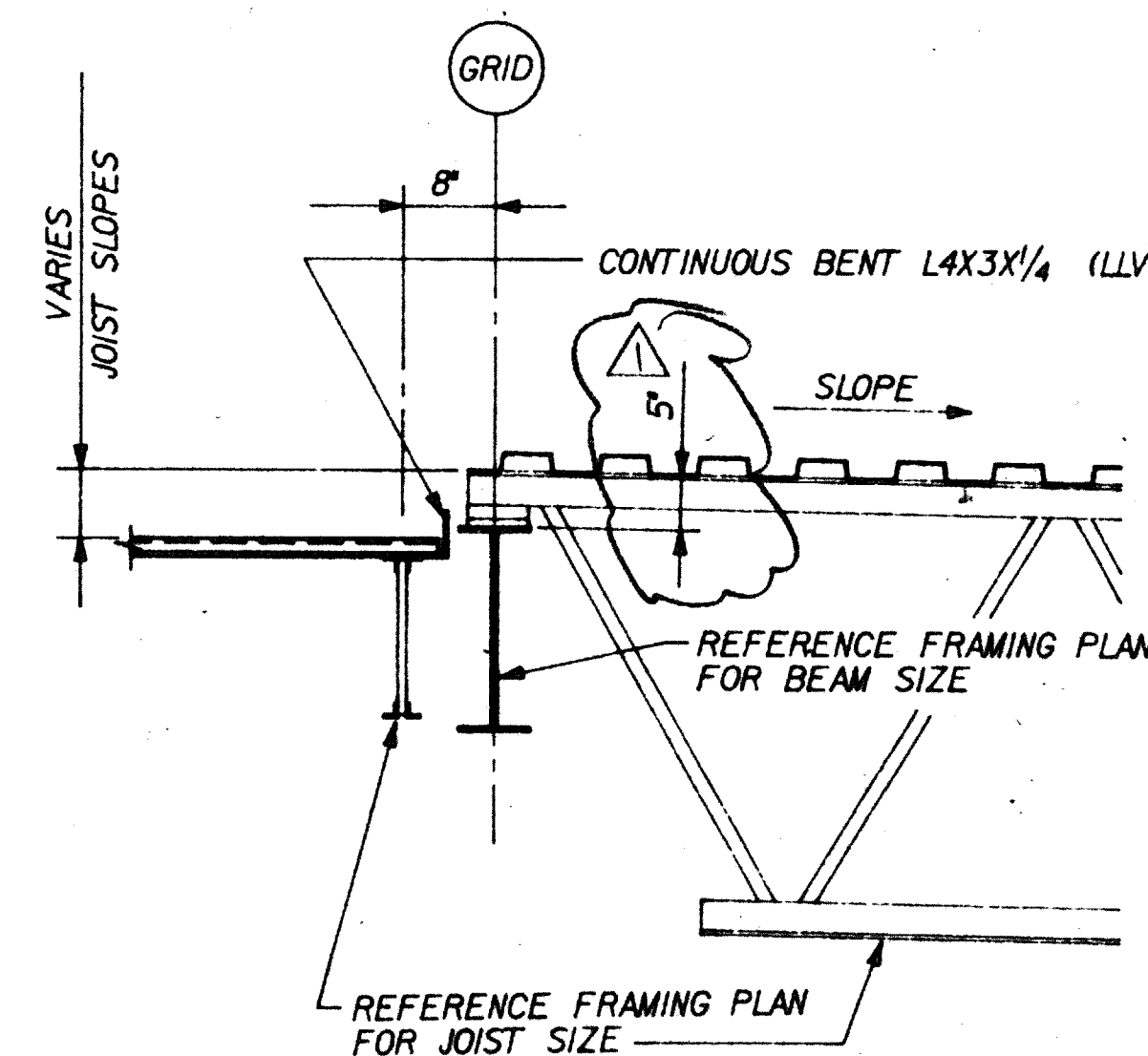
JOIST DETAIL @ ROOF
SCALE-NONE



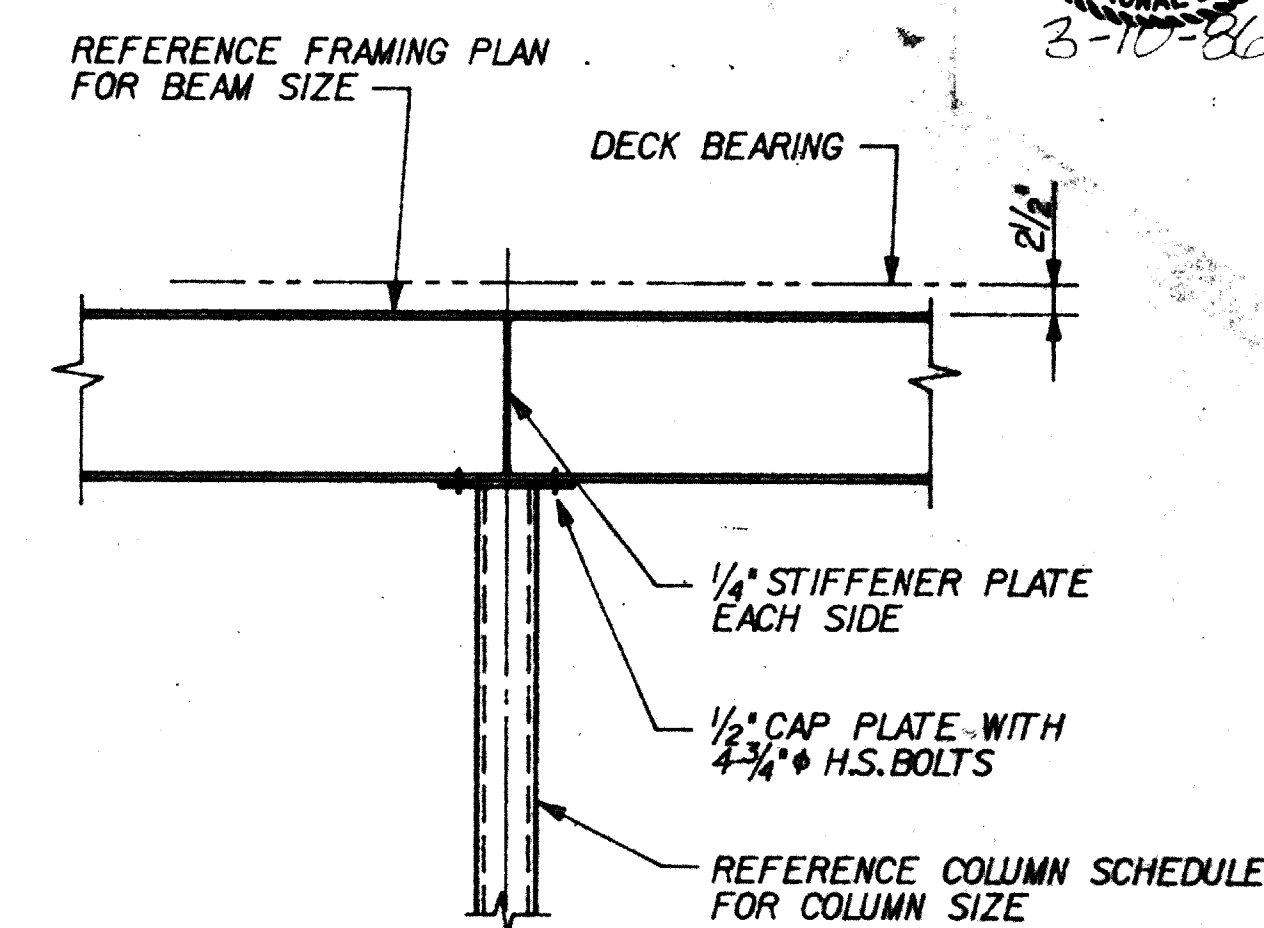
ROOF OPENING DETAIL FOR OPENINGS LESS THAN 16" X 16"
NO SCALE



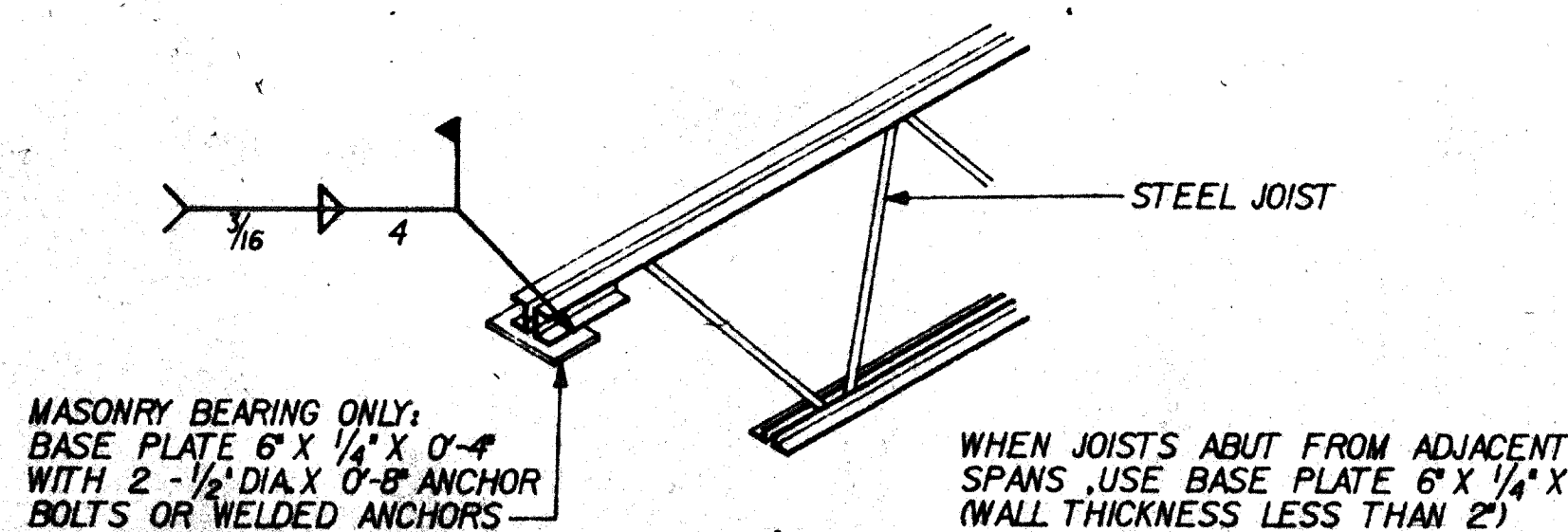
TYPICAL ROOF OPENING DETAIL
NO SCALE



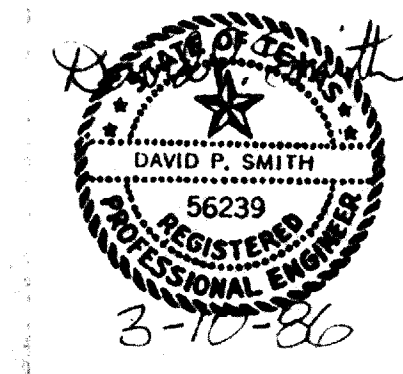
JOIST DETAIL @ CHANGE IN ROOF SLOPE
SCALE: 3/4" = 1'-0"



BEAM TO COLUMN CONNECTION @ ROOF
SCALE: 3/4" = 1'-0"



JOIST BEARING DETAIL
NO SCALE



ADDISON RECREATION CENTER
3900 BELTWAY DRIVE
ADDISON, TEXAS

The Benham Group Dallas
architects
engineers
planners
1341 w. mockingbird ln.
suite 517 e
dallas, texas



STRUCTURAL DETAILS
SHEET 1

drawn **D. MESSNER**
chkd **E. KOCHICK**
date **3-19-88**

no. **Δ** date **4-21-88**

S-8