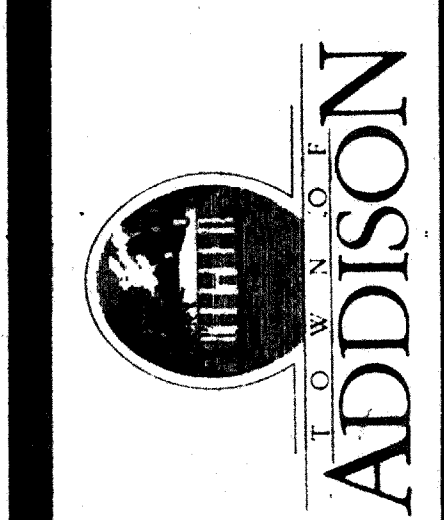
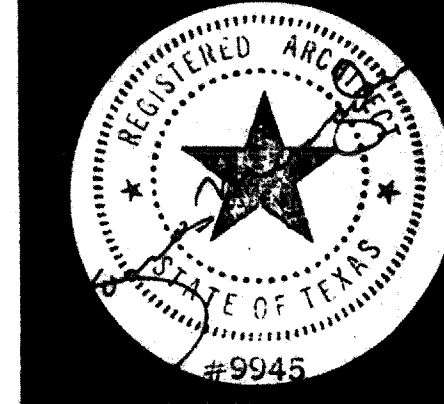


SHEET NO.	
DATE	
REVISION	
COMPOSITE	

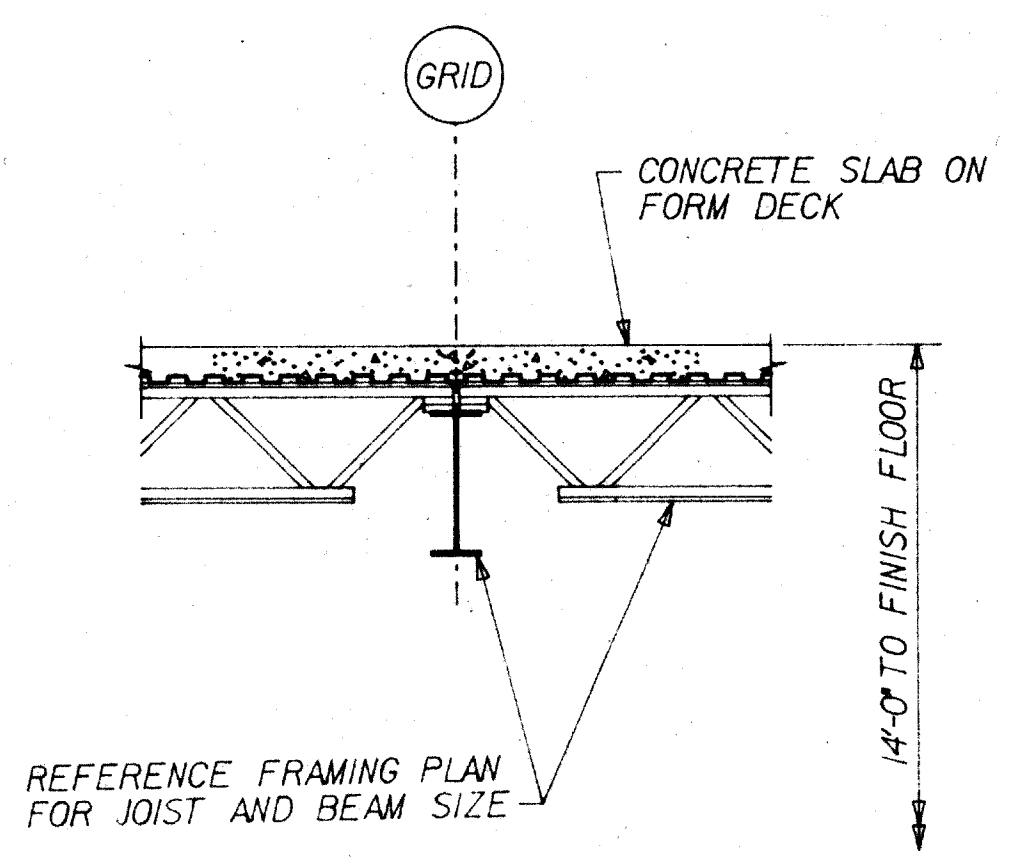
ADDISON RECREATION CENTER
 3900 BELTWAY DRIVE
 ADDISON, TEXAS



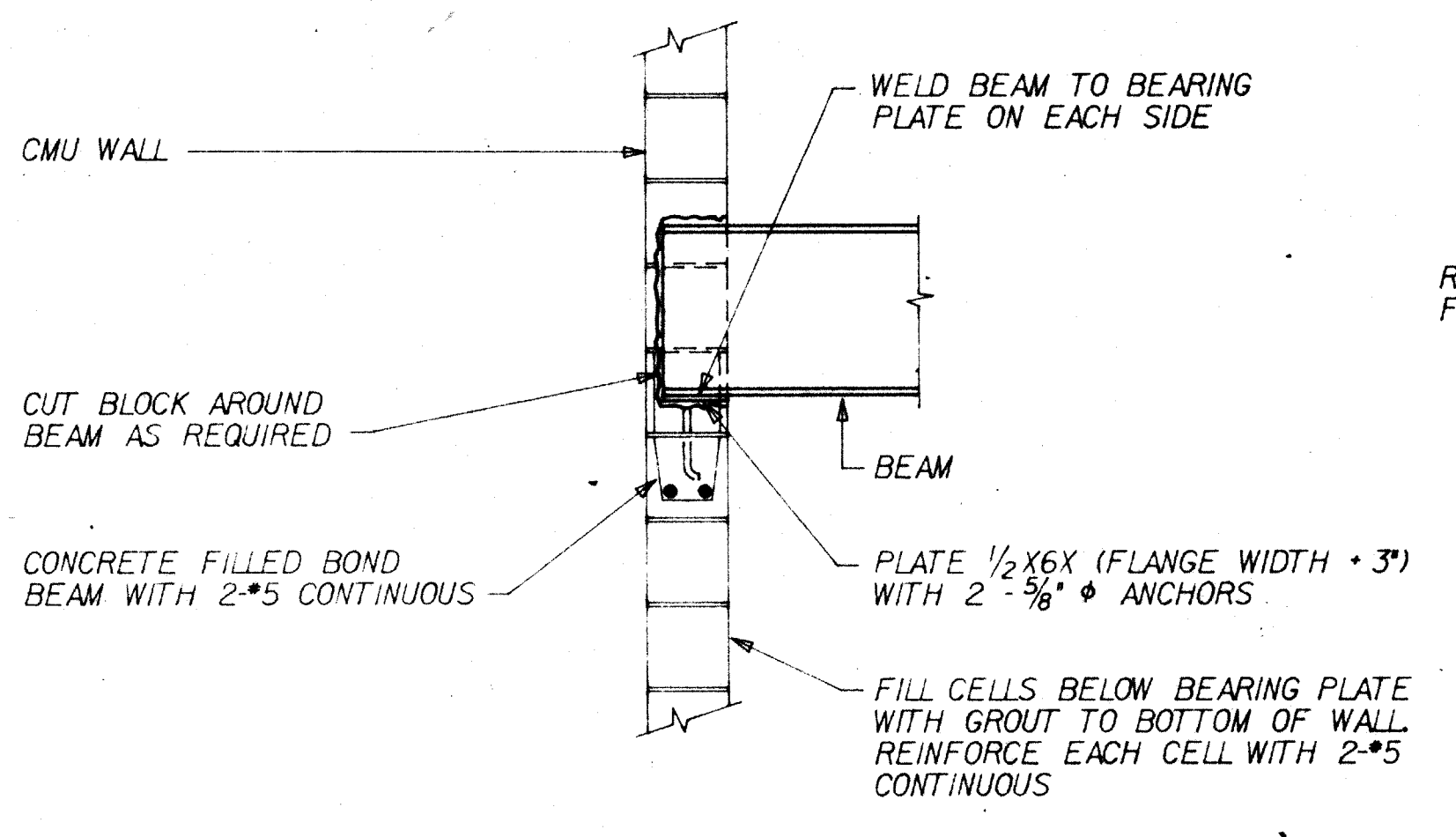
The Benham Group Dallas
 architects
 engineers
 planners
 1341 w. mockingbird ln.
 suite 517 e
 dallas, texas



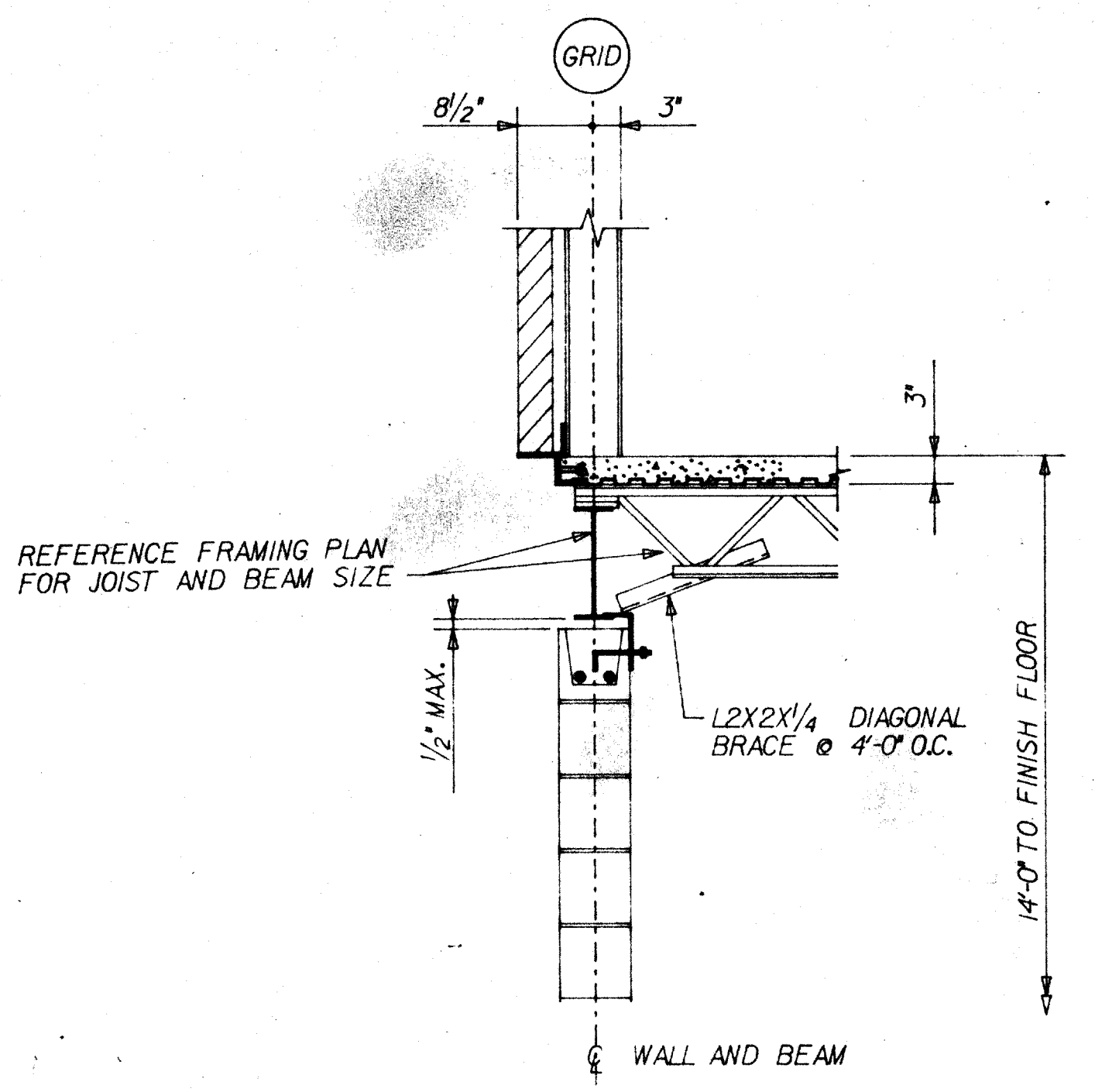
STRUCTURAL DETAILS SHEET 2
drawn by D. MESSNER
checked by E. KOCHIK
date 3-19-86
revisions
no. date
SHEET OF 9



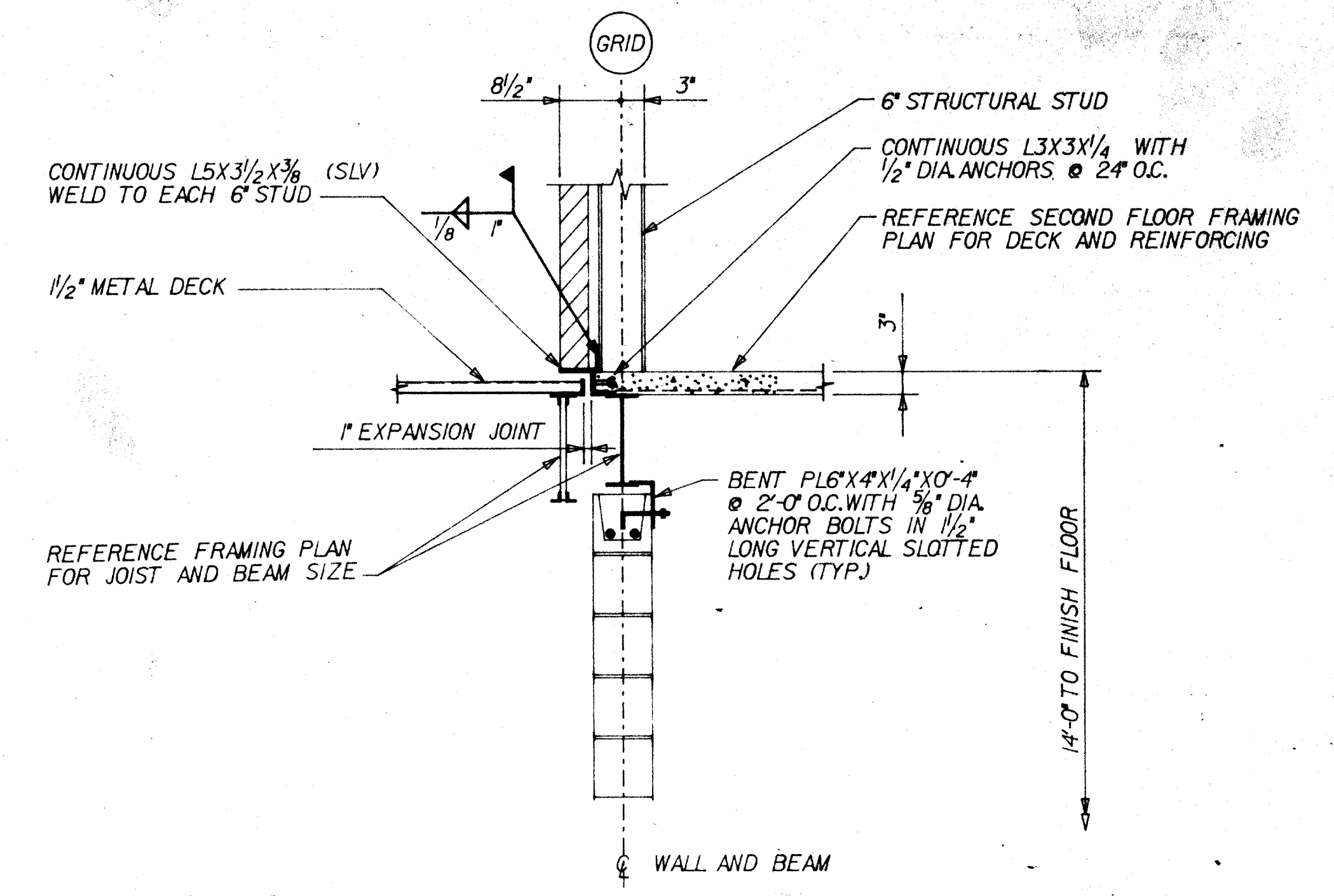
TYPICAL INTERIOR JOIST @ BEAM
 SCALE: 3/4" = 1'-0"



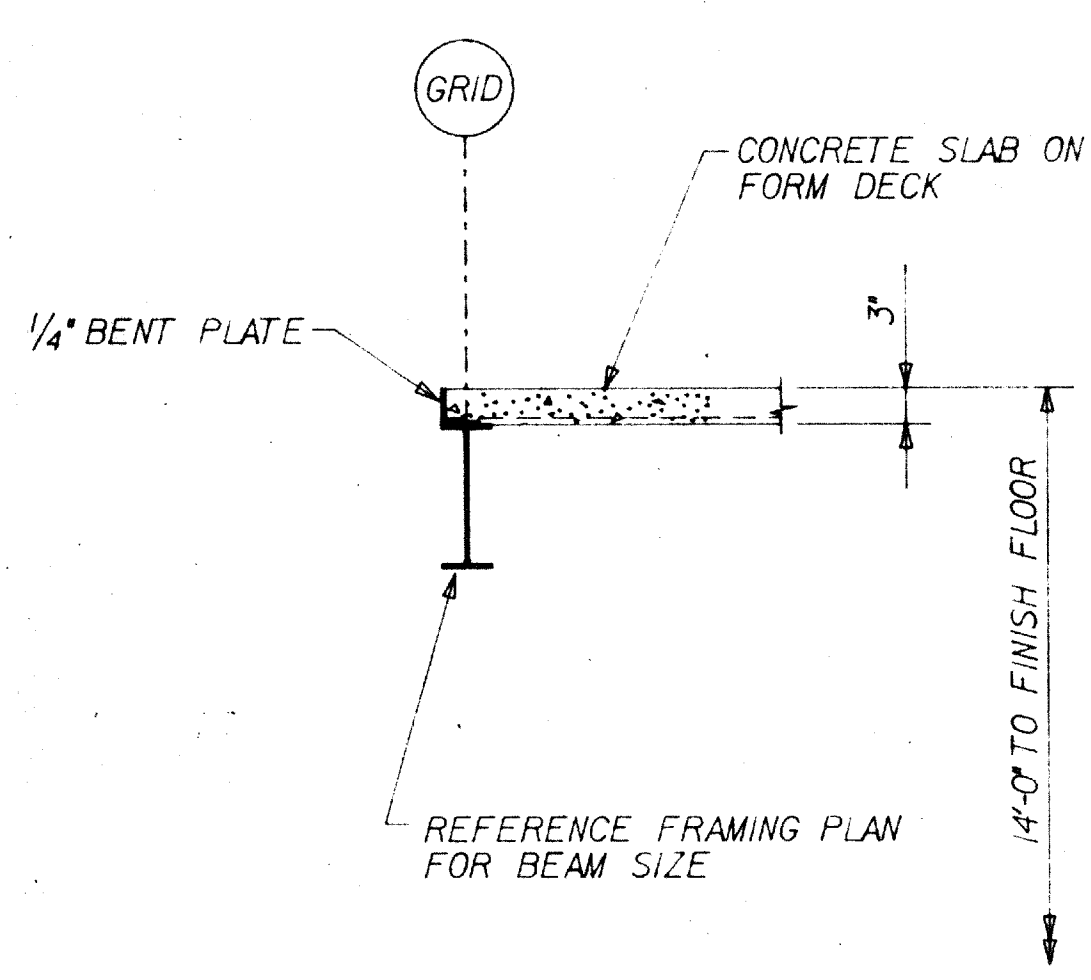
TYPICAL DETAIL AT BEAM BEARING ON MASONRY WALL
 SCALE: 3/4" = 1'-0"



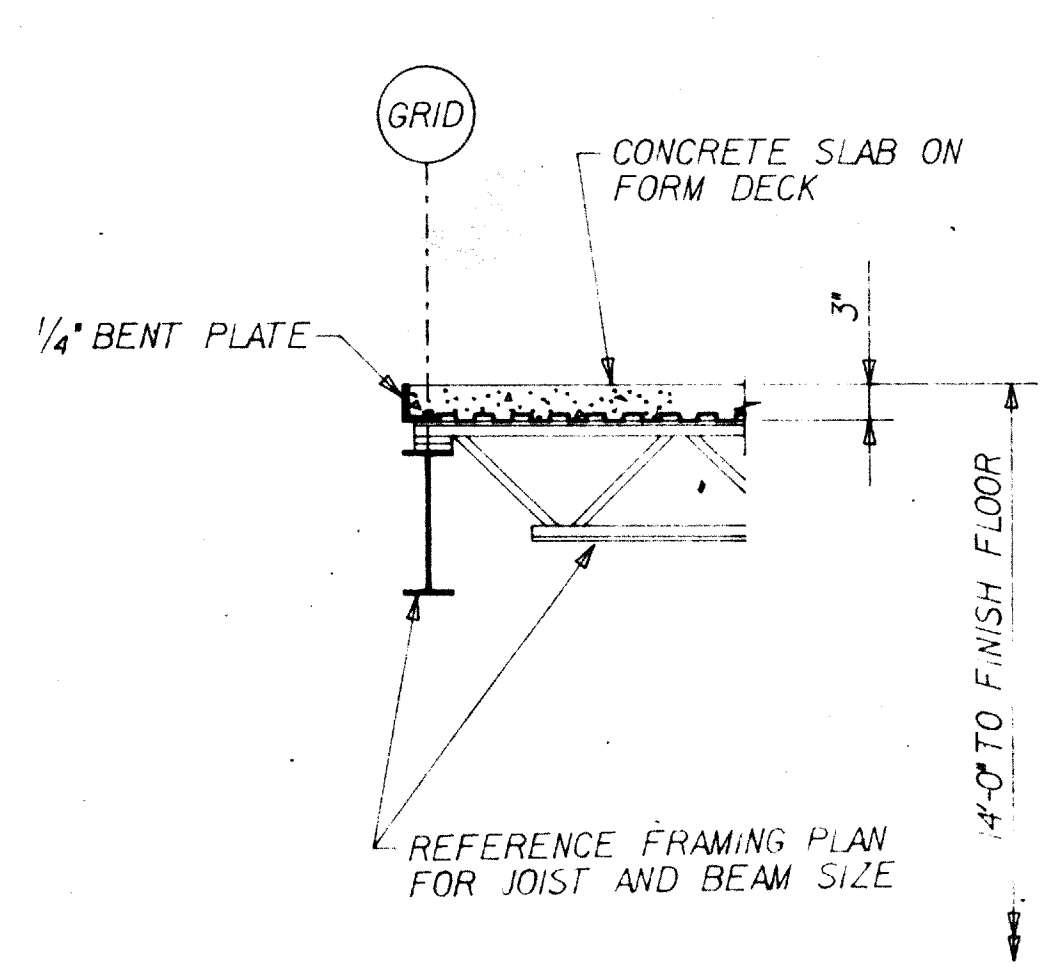
BEAM DETAIL @ EXTERIOR
 SIMILAR TO 'BEAM DETAIL @ EXPANSION JOINT'
 SCALE: 3/4" = 1'-0"



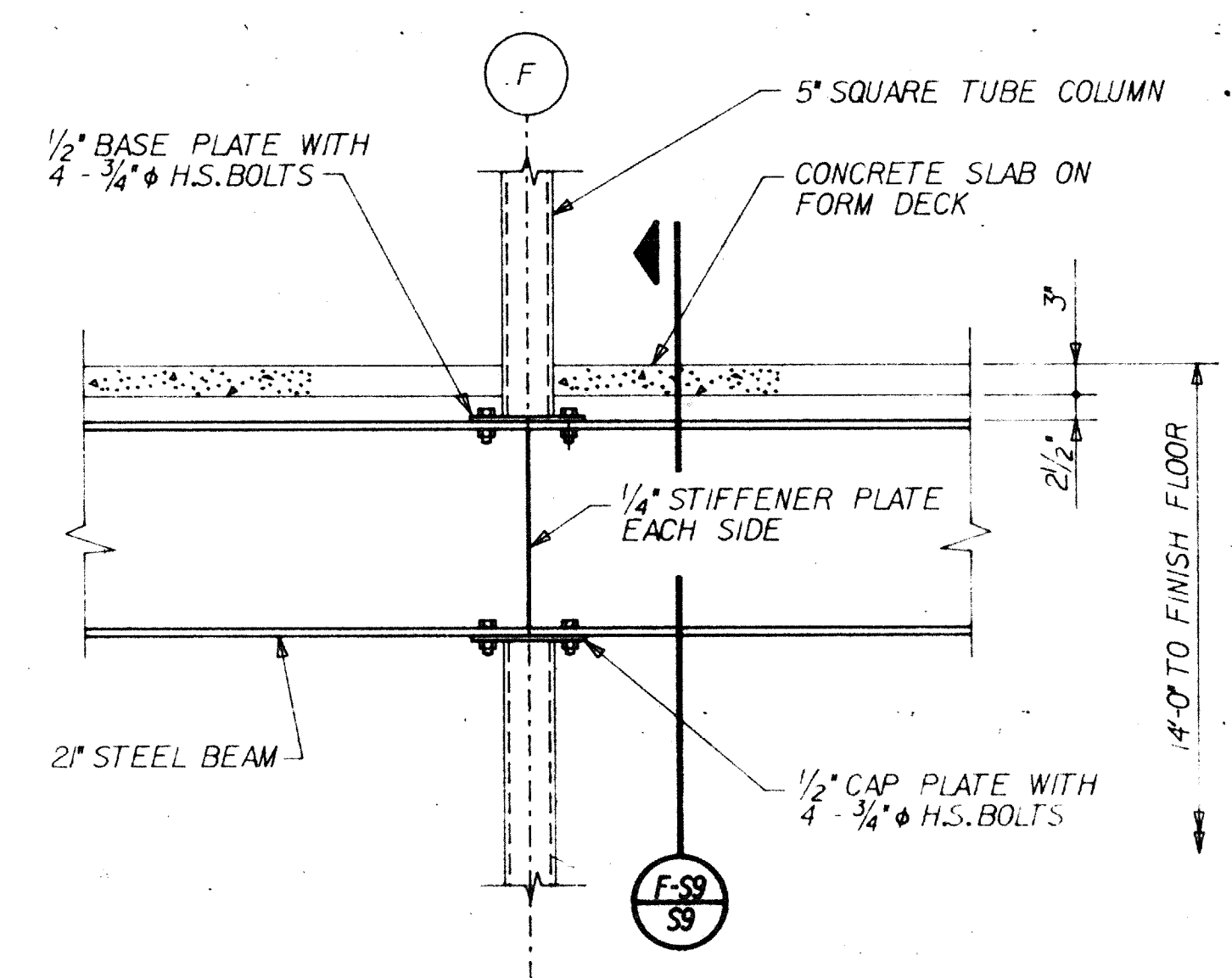
BEAM DETAIL @ EXPANSION JOINT
 SCALE: 3/4" = 1'-0"



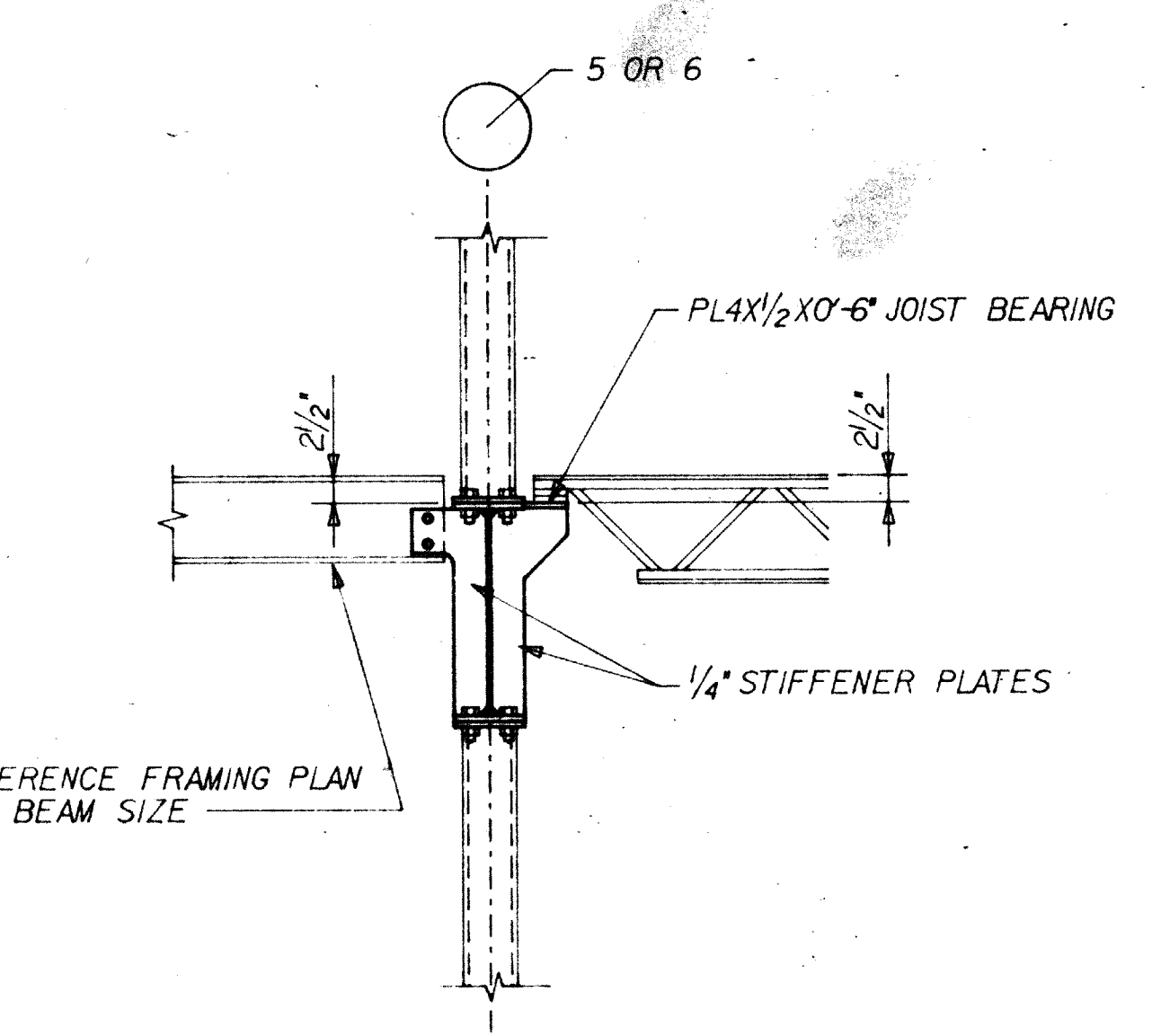
SECTION @ SECOND FLOOR
 SCALE: 3/4" = 1'-0"



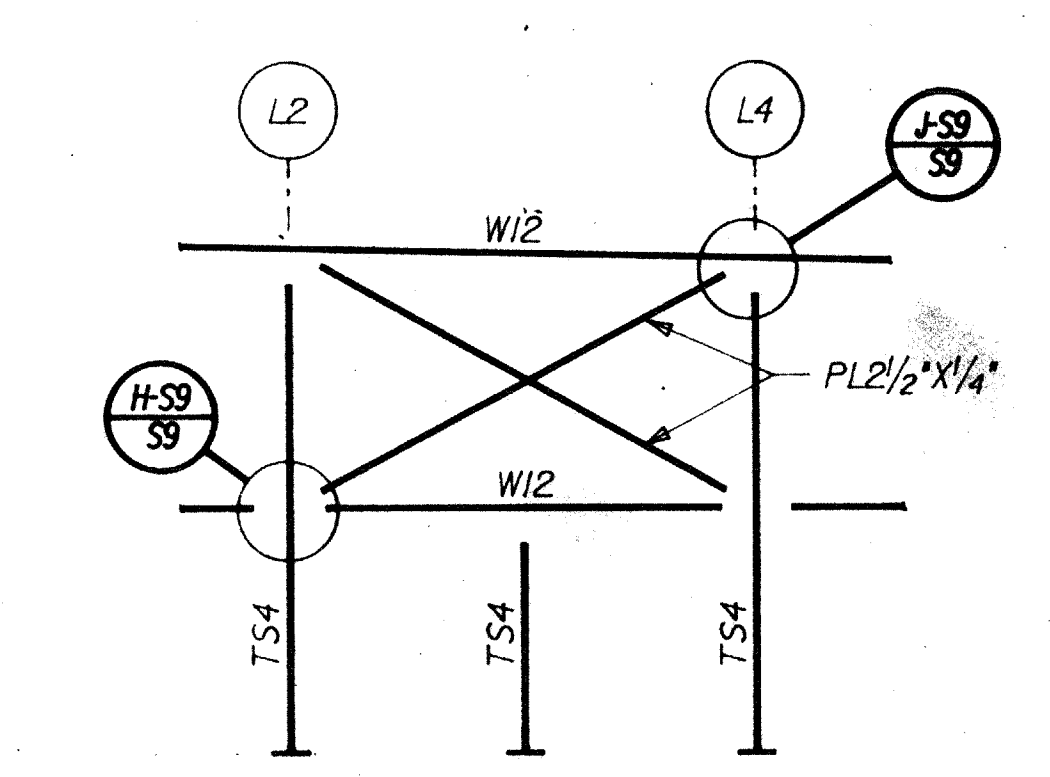
SECTION @ SECOND FLOOR
 SCALE: 3/4" = 1'-0"



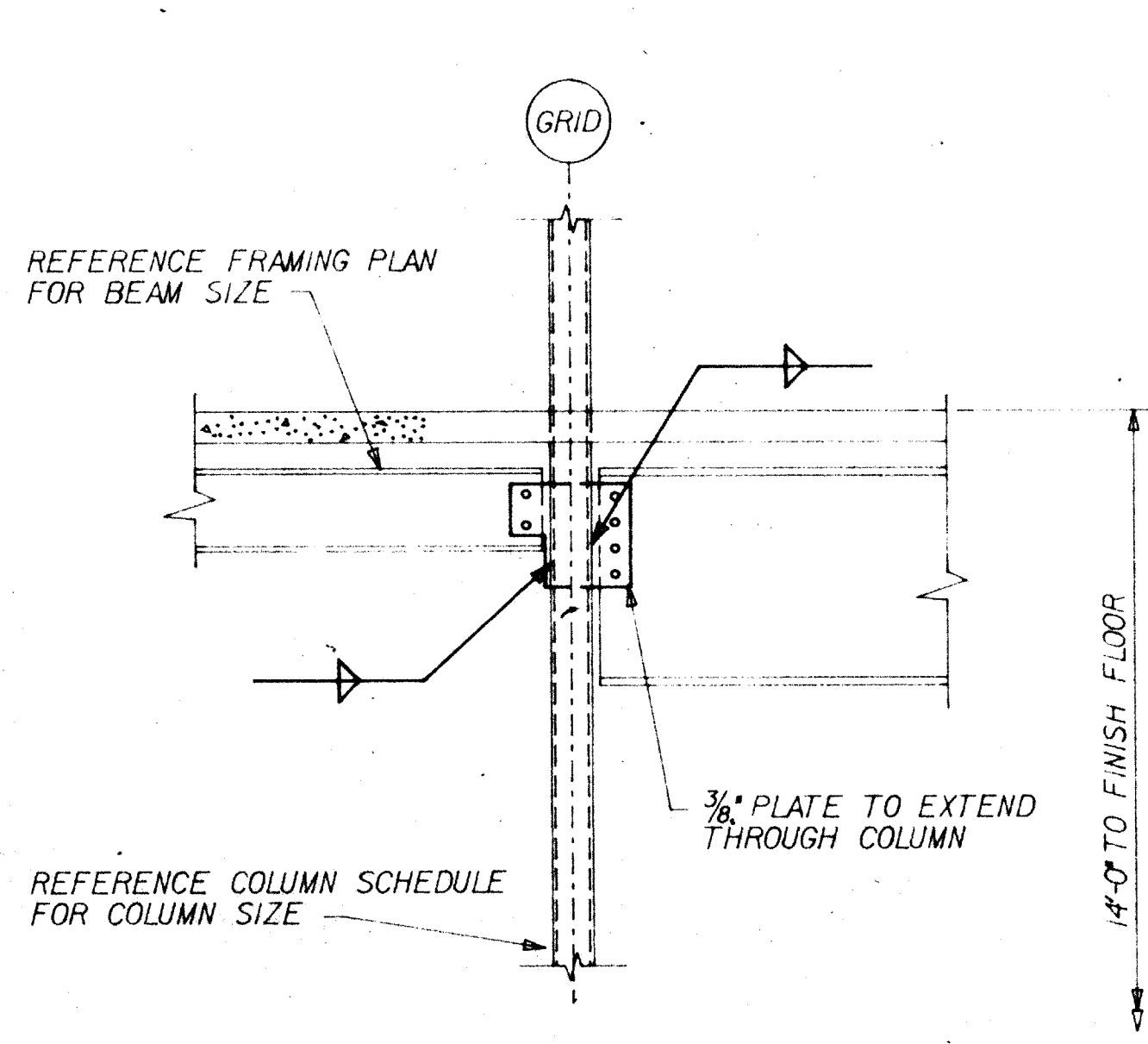
DETAIL @ CANTILEVER BEAM
 SCALE: 3/4" = 1'-0"



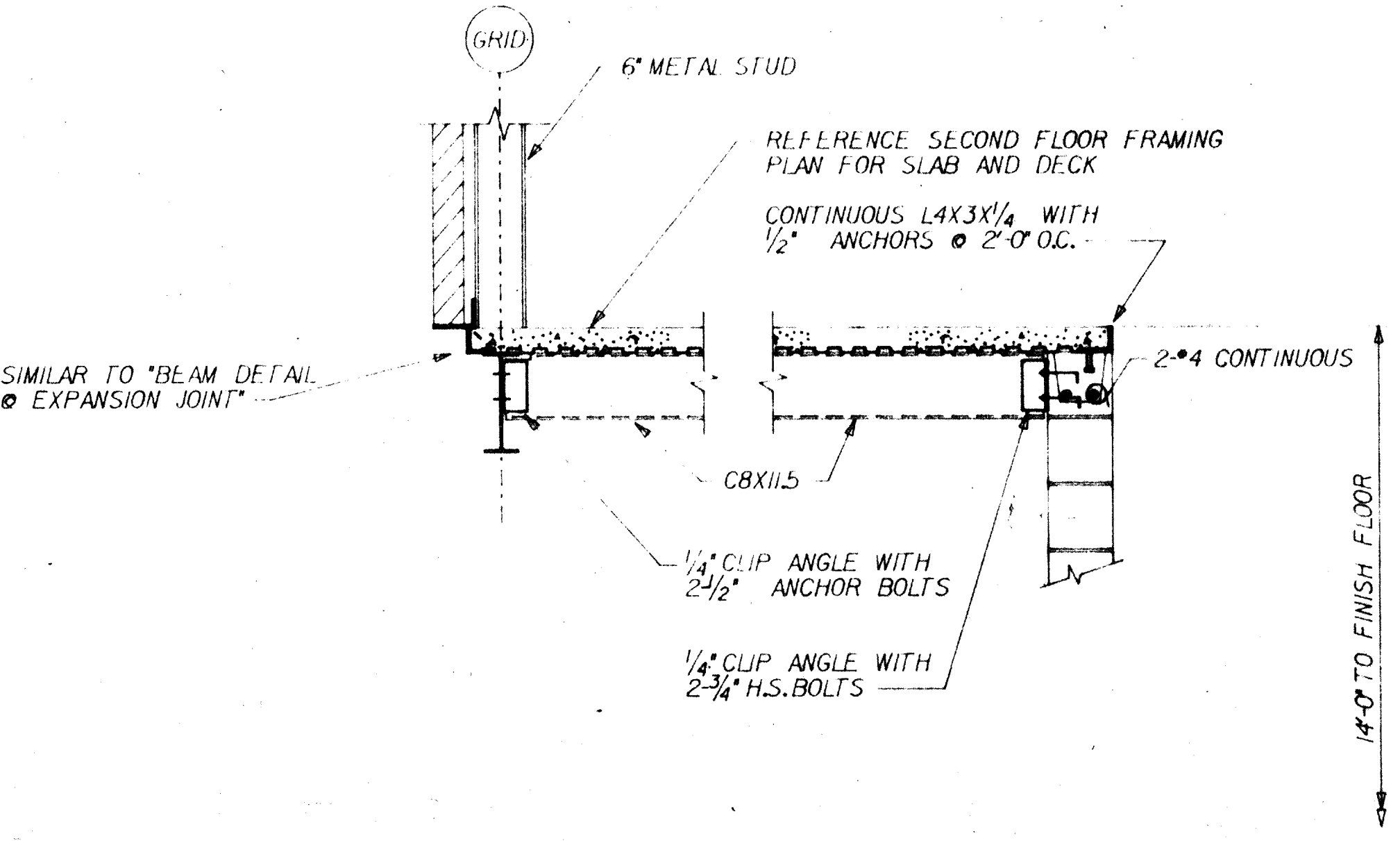
DETAIL @ CANTILEVER BEAM
 SCALE: 3/4" = 1'-0"



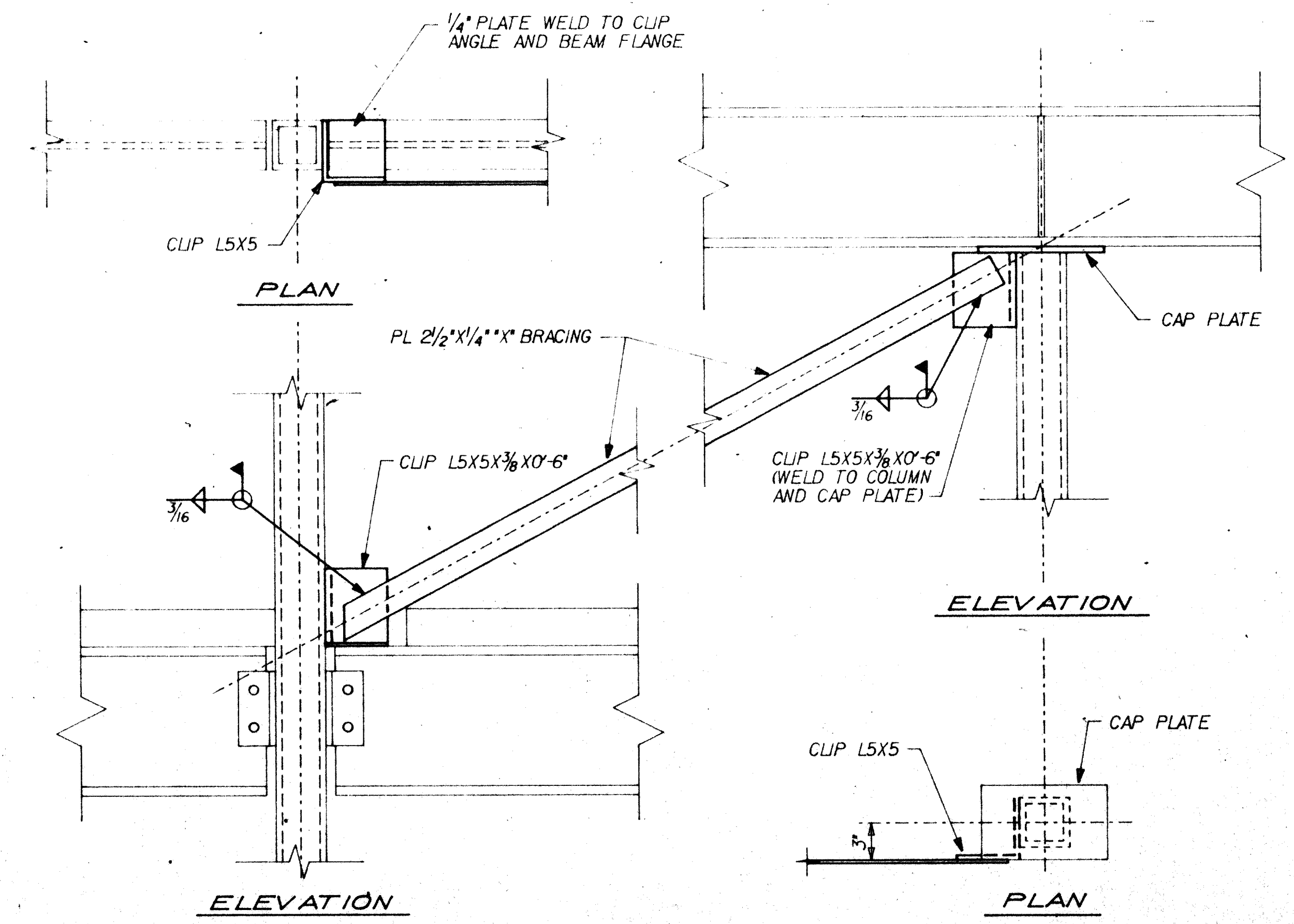
CROSS BRACING ELEVATION COLUMN ROWS 1 AND 9
 SCALE: 1/32" = 1'-0"



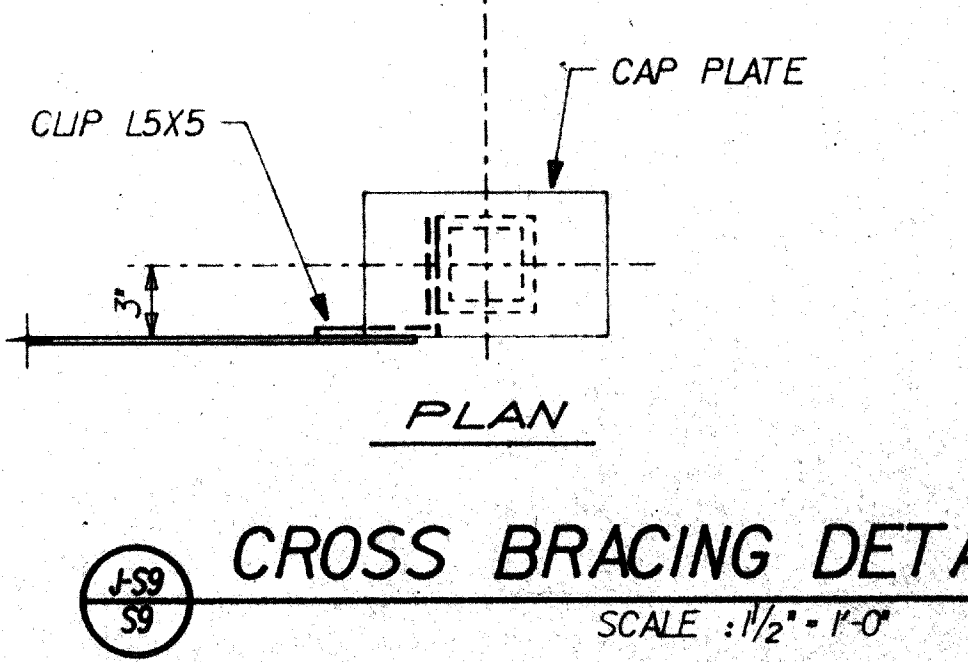
BEAM TO COLUMN CONNECTION @ SECOND FLOOR
 SCALE: 3/4" = 1'-0"



RUNNING TRACK SUPPORT DETAIL
 SCALE: 3/4" = 1'-0"



CROSS BRACING DETAIL
 SCALE: 1/2" = 1'-0"



CROSS BRACING DETAIL
 SCALE: 1/2" = 1'-0"