

SHEET NO.	
BASE	
COMPOSITE	
DATE	
BY	
CHKD	
APP'D	

**ADDISON RECREATION CENTER**  
 3900 BELTWAY DRIVE  
 ADDISON, TEXAS

**ADDISON**

**The Benham Group** Dallas  
 architects  
 engineers  
 planners  
 1341 w. mockingbird ln.  
 suite 517 e  
 dallas, texas

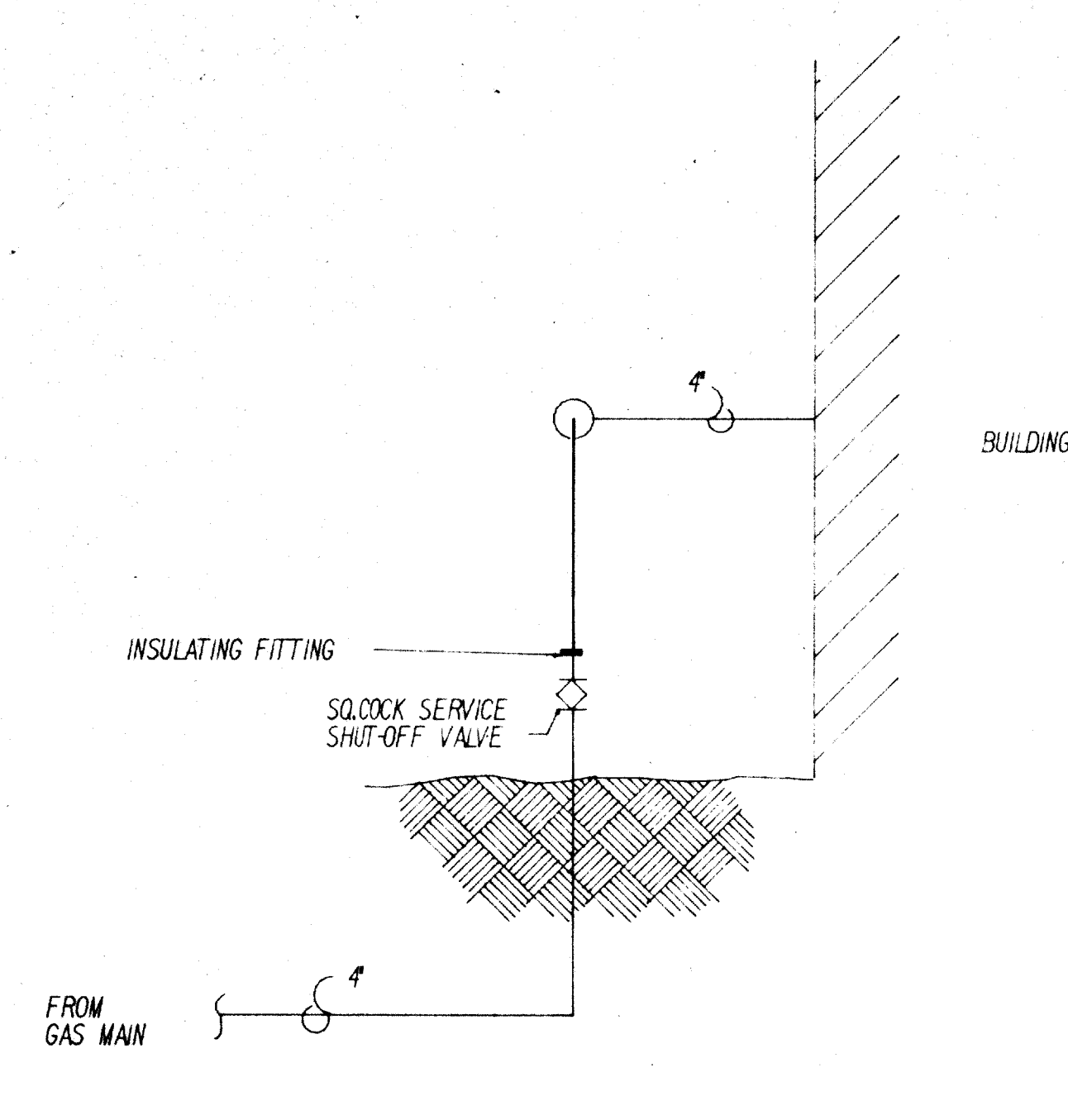


**PLUMBING DETAILS**

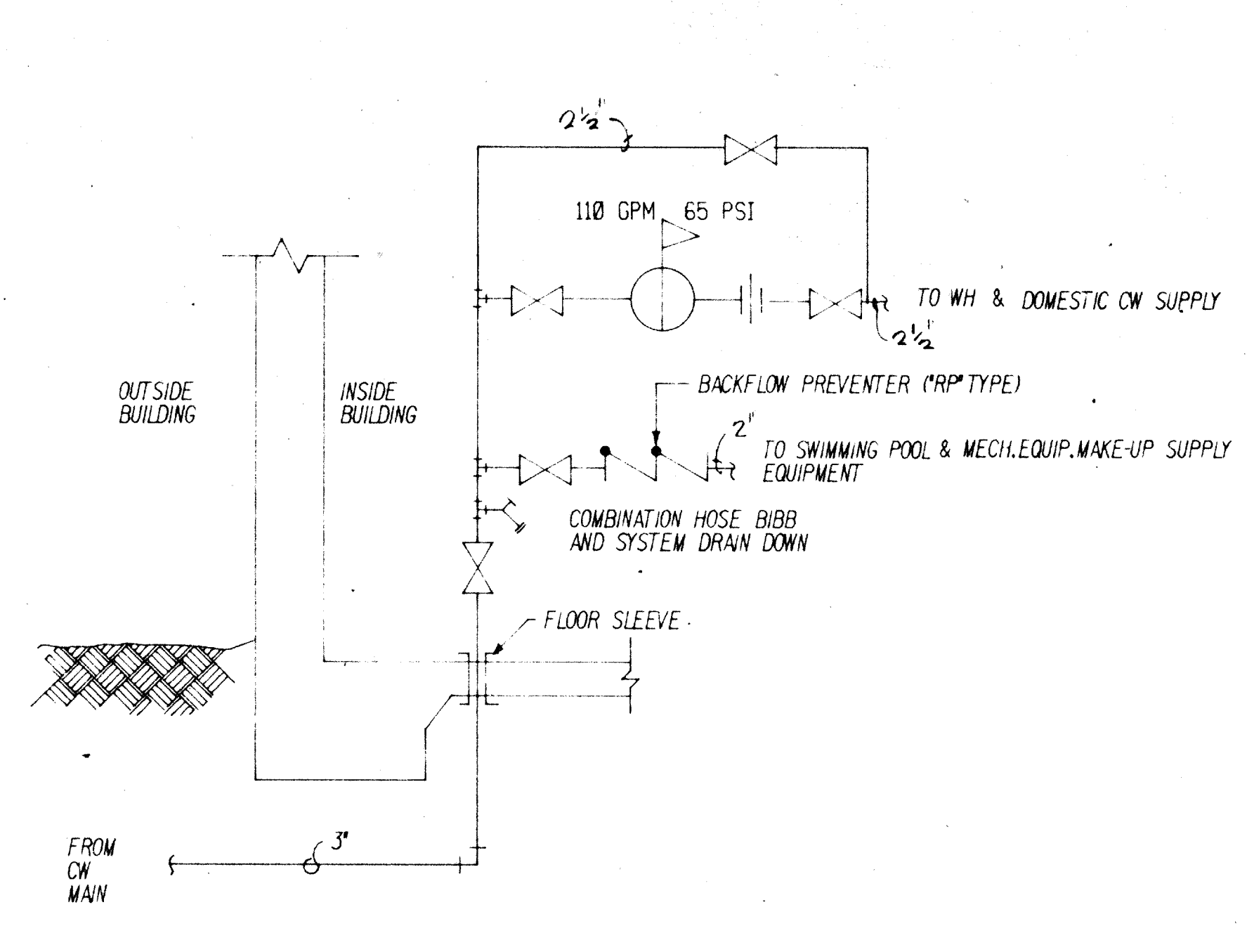
drawn **J. DARBY**  
 chkd **P. ROBERTS**  
 date **5-18-88**  
 revisions

no.      date

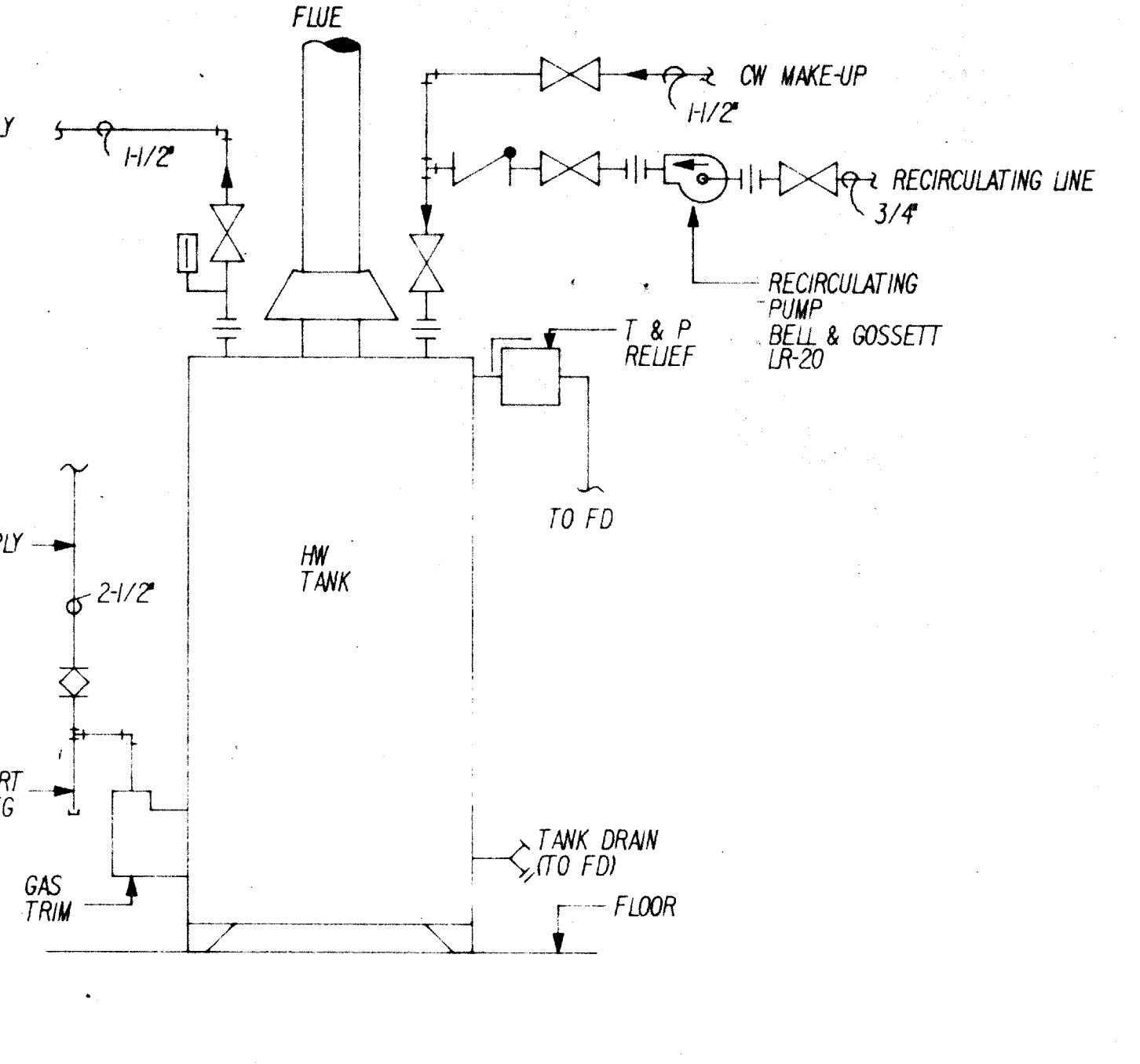
sheet of **M-8**



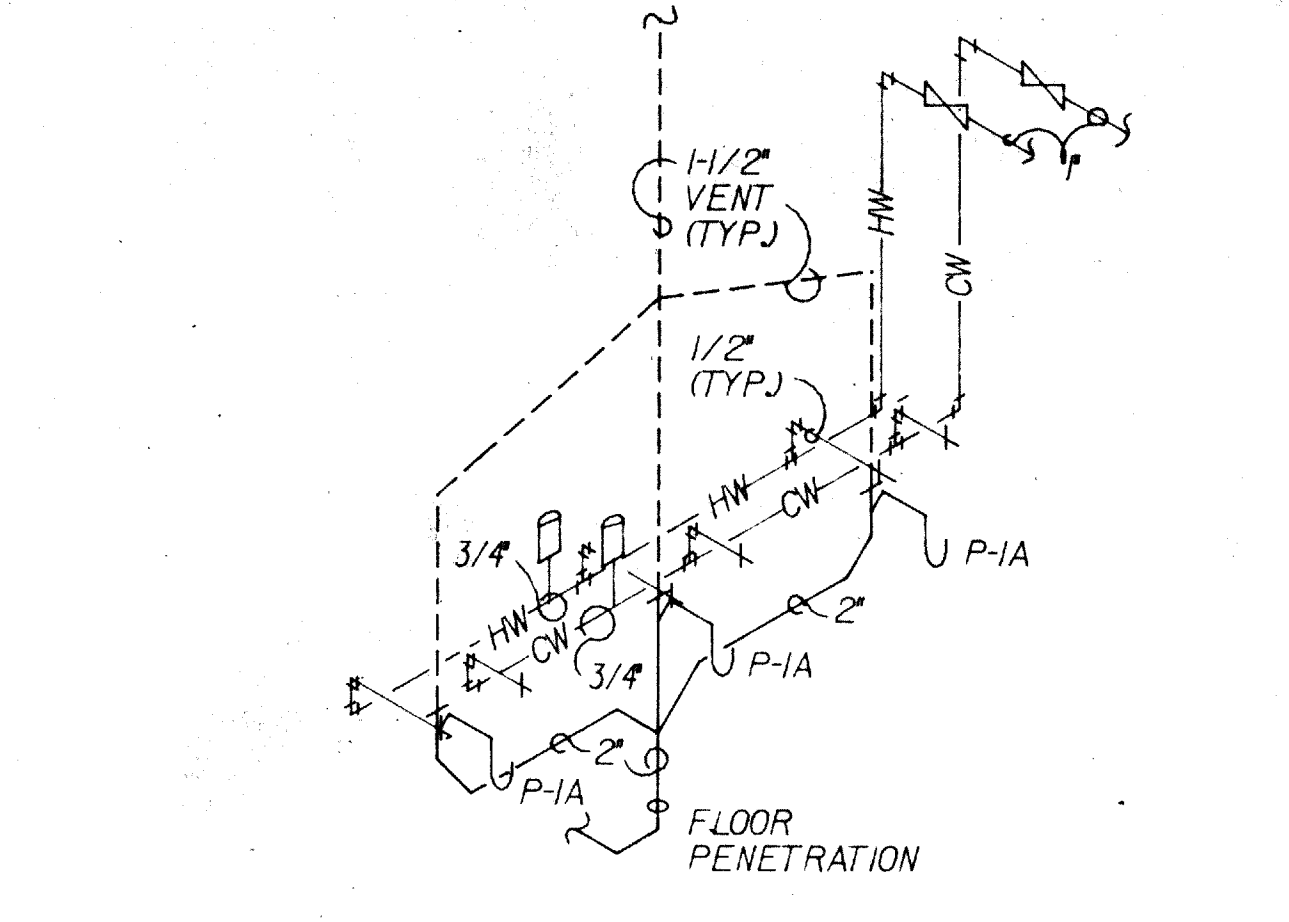
**1** GAS LINE ENTRANCE DETAIL  
 M.B. NO SCALE



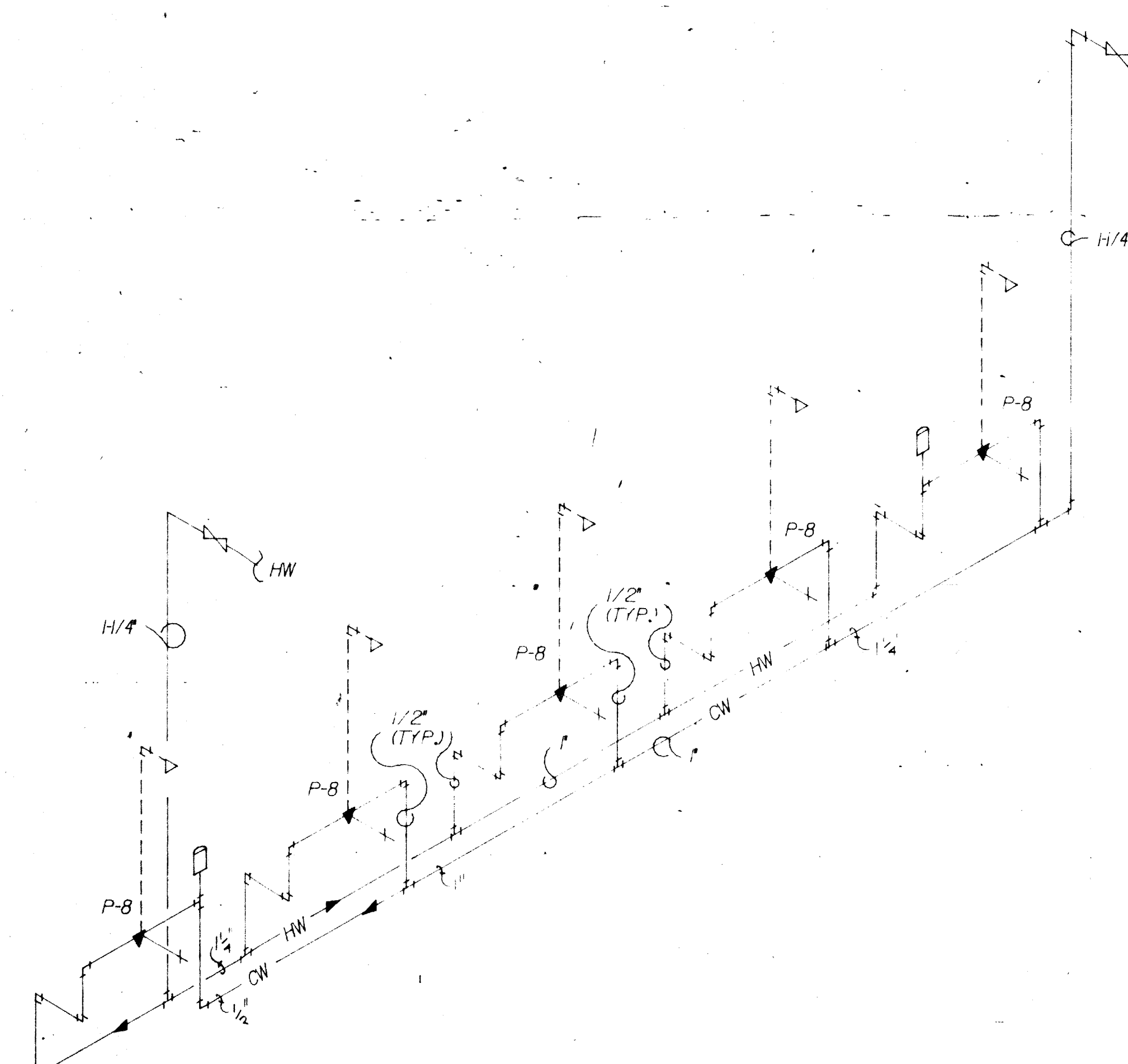
**2** DOMESTIC WATER SUPPLY ENTRANCE DETAIL  
 M.B. NO SCALE



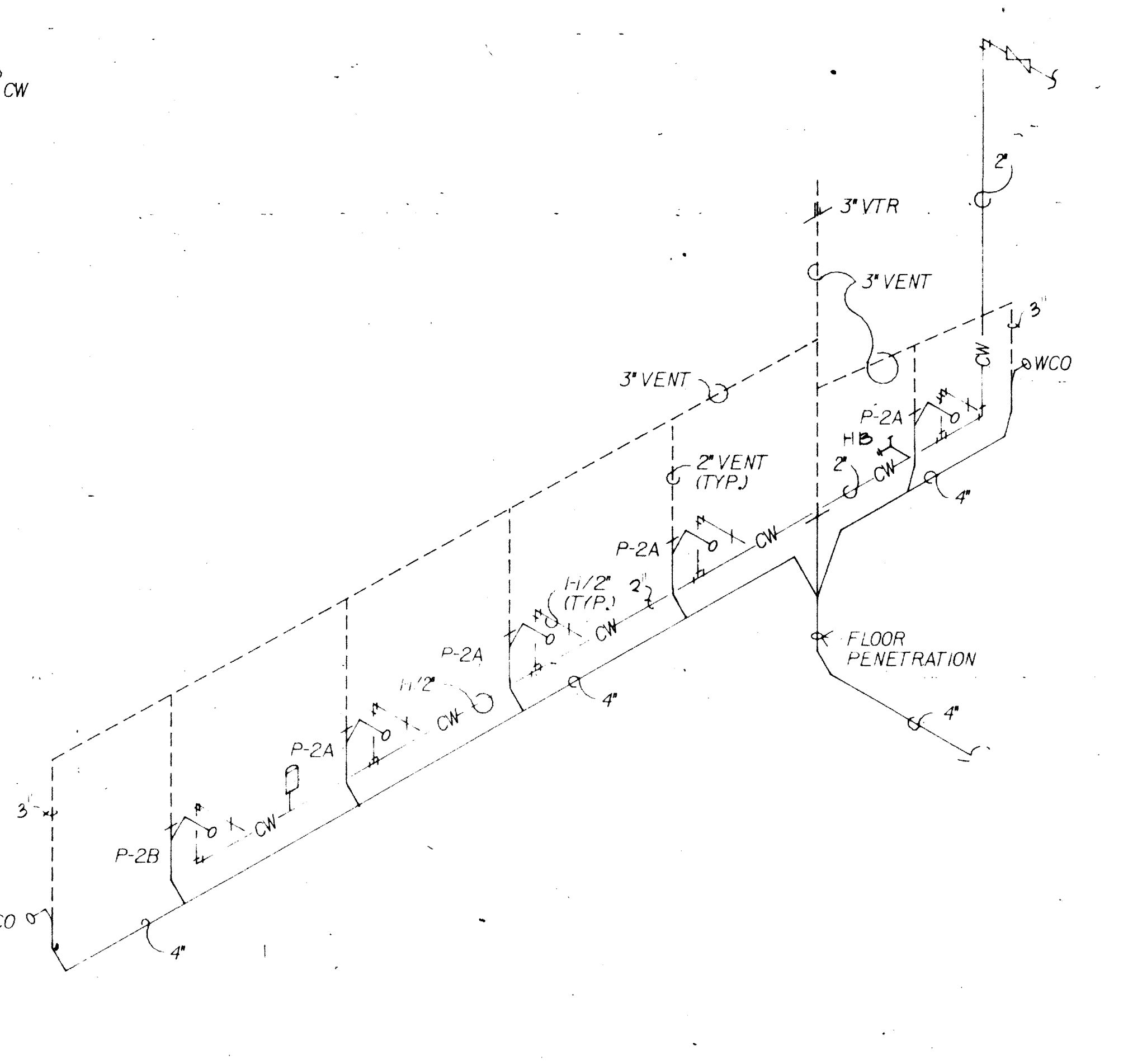
**3** GAS FIRED WATER HEATER PIPING SCHEMATIC  
 M.B. NO SCALE



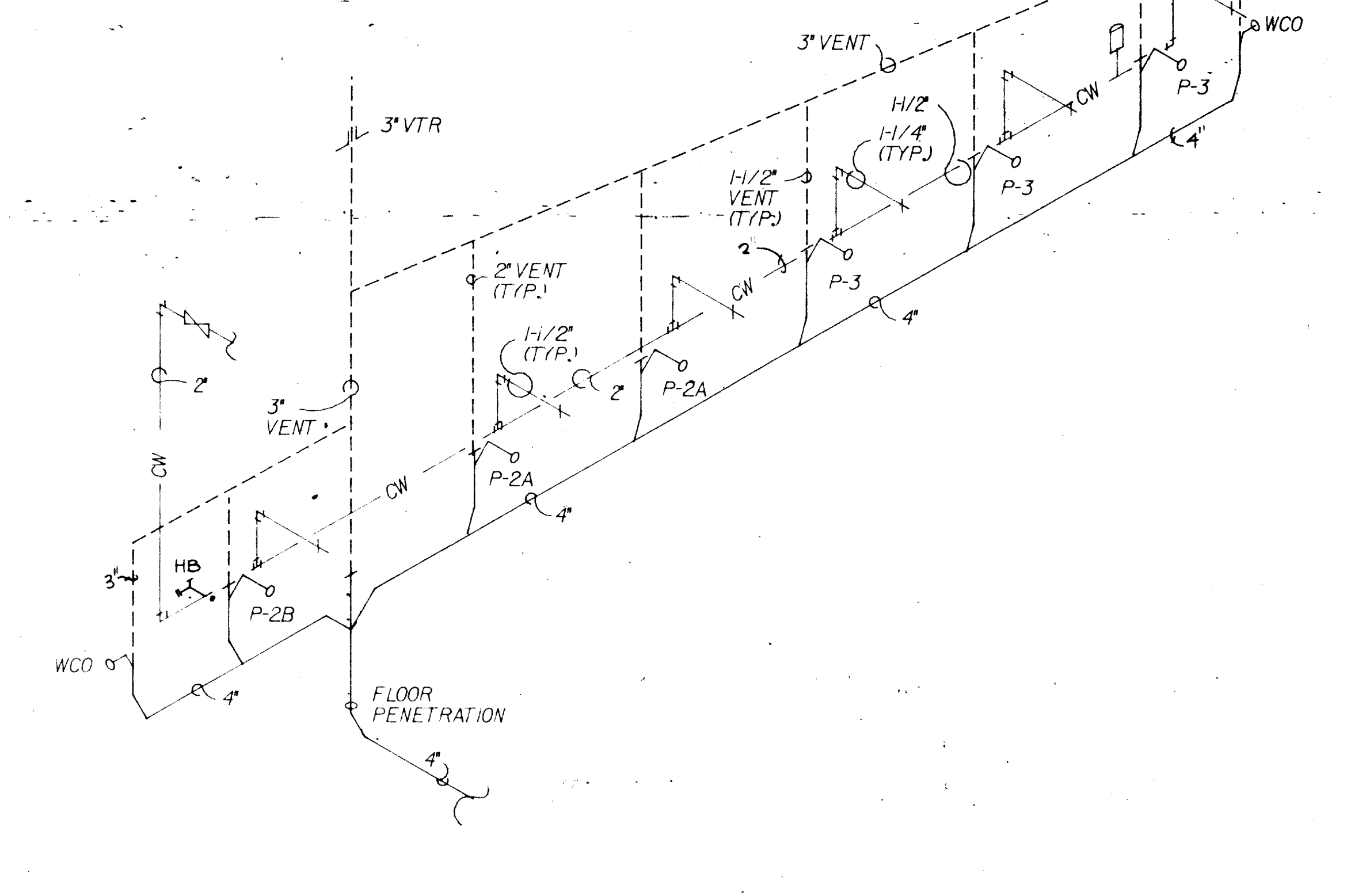
**4** PLUMBING CHASE ISOMETRIC  
 M.B. NO SCALE



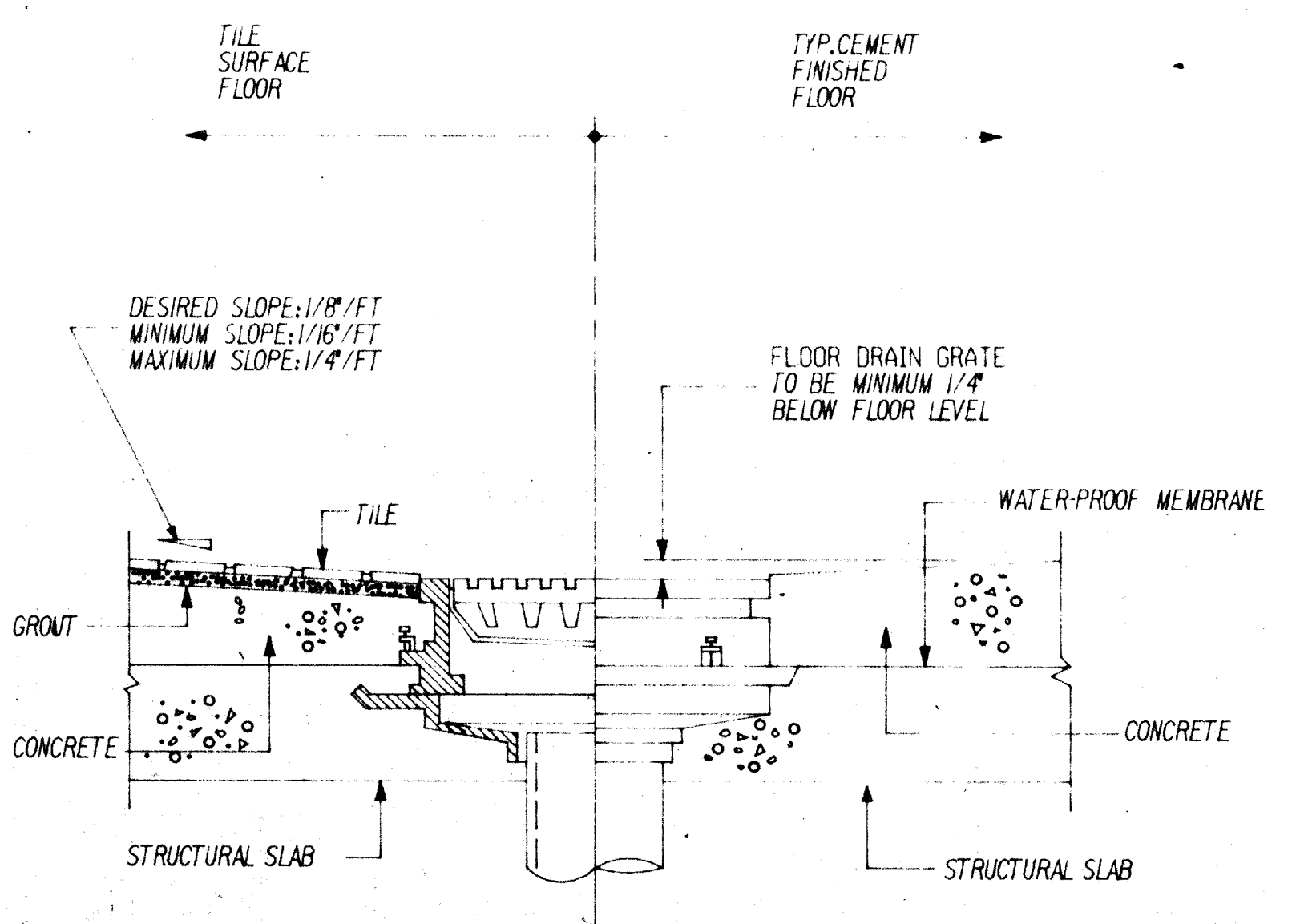
**5** PLUMBING CHASE ISOMETRIC  
 M.B. NO SCALE



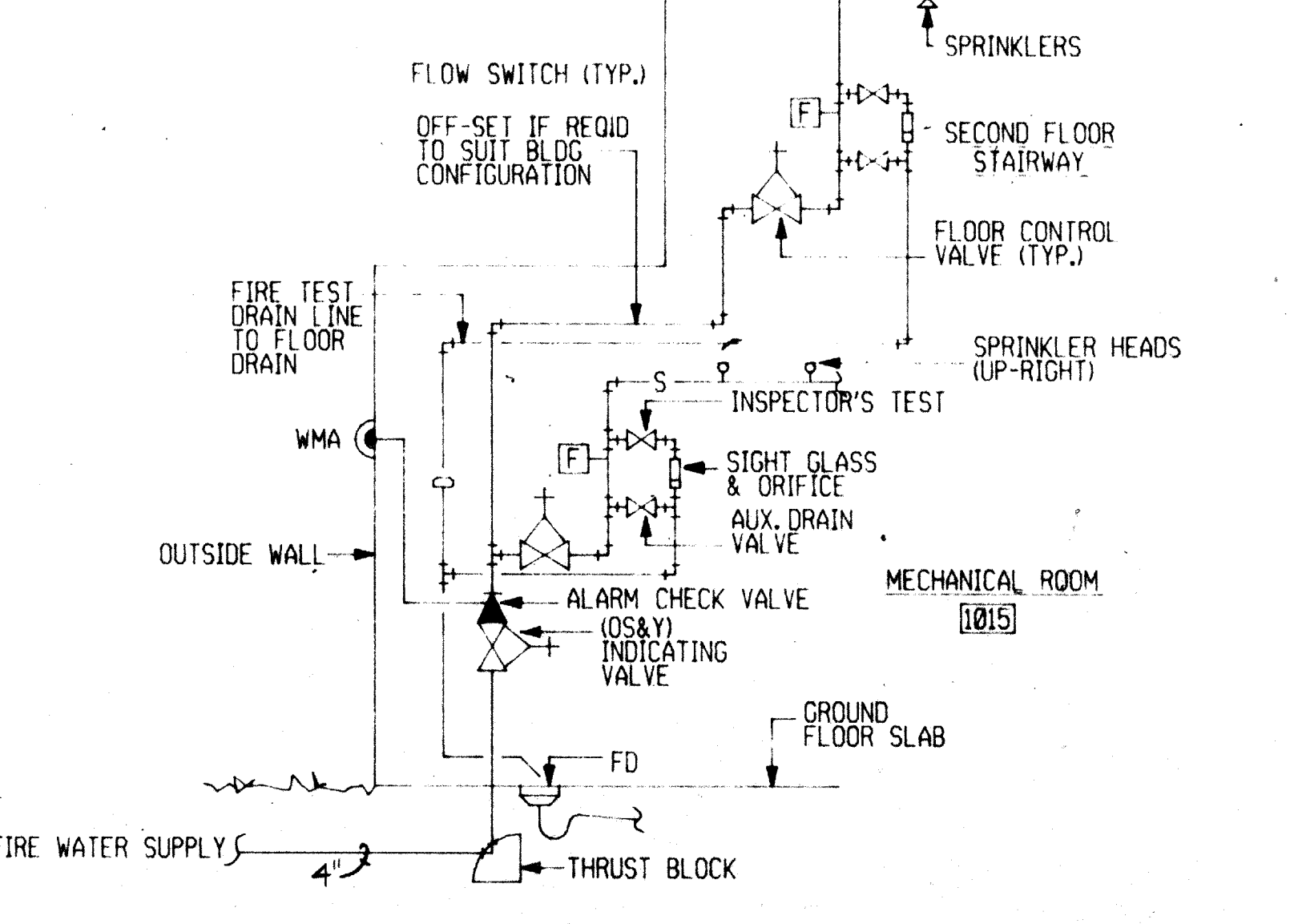
**6** PLUMBING CHASE ISOMETRIC  
 M.B. NO SCALE



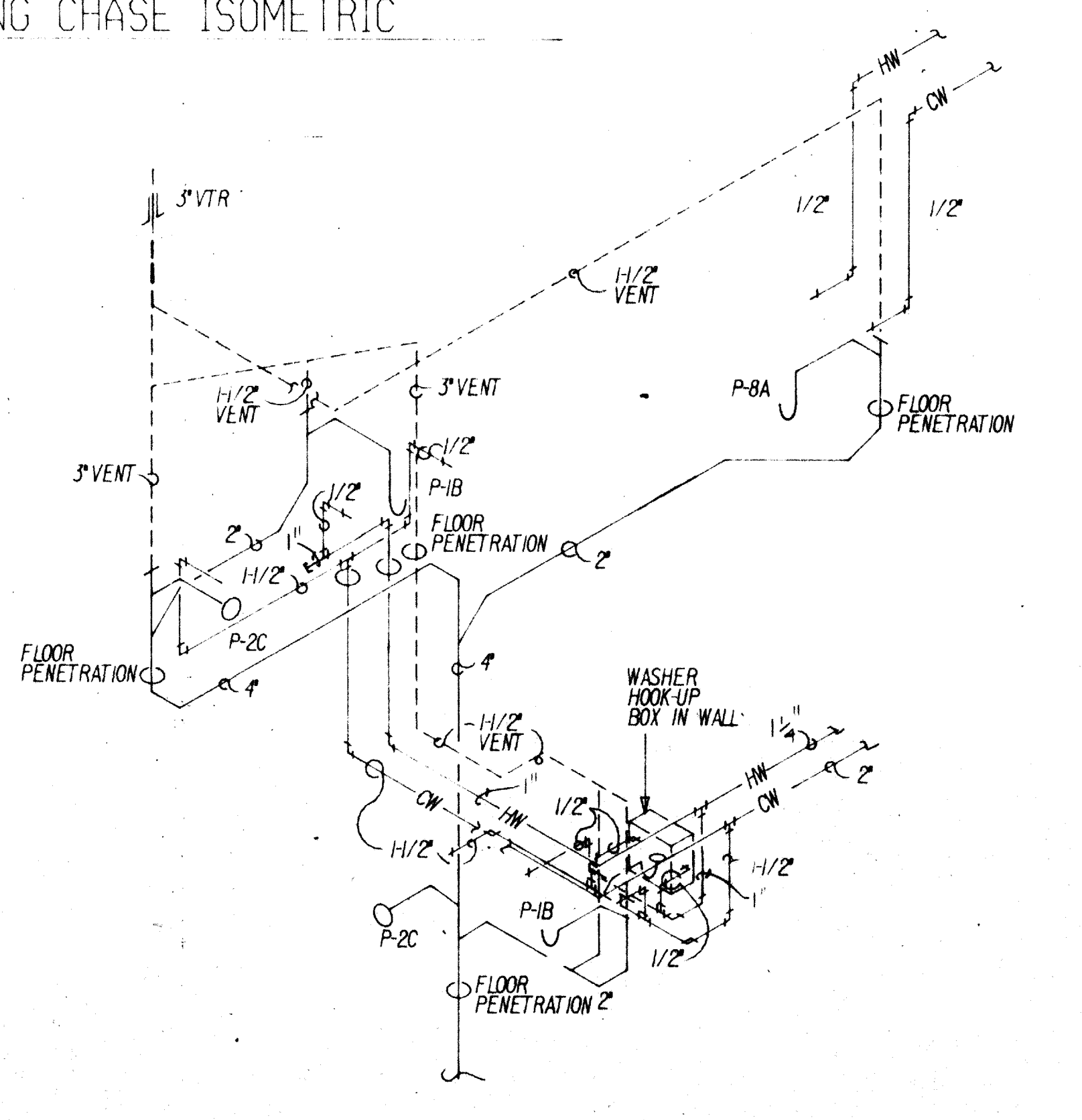
**7** PLUMBING CHASE ISOMETRIC  
 M.B. NO SCALE



**8** TYPICAL FLOOR DRAIN INSTALLATION DETAIL  
 M.B. NO SCALE



**9** FIRE SPRINKLER RISER PIPING SCHEMATIC  
 M.B. NO SCALE



**10** PLUMBING CHASE ISOMETRIC  
 M.B. NO SCALE