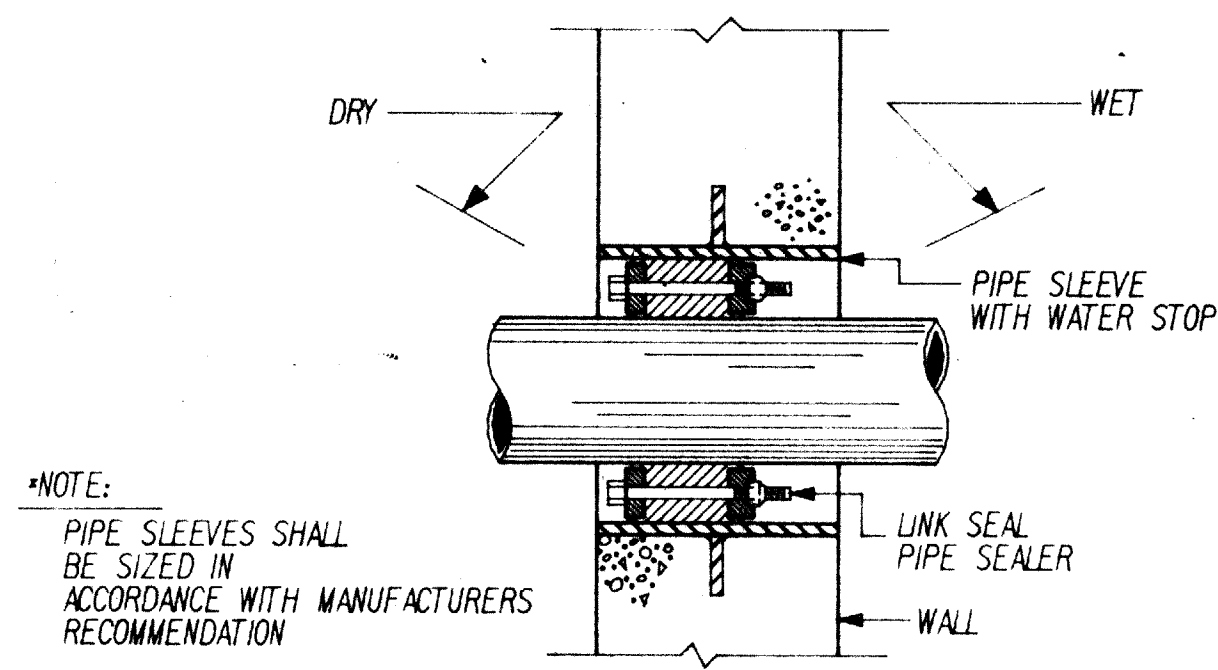
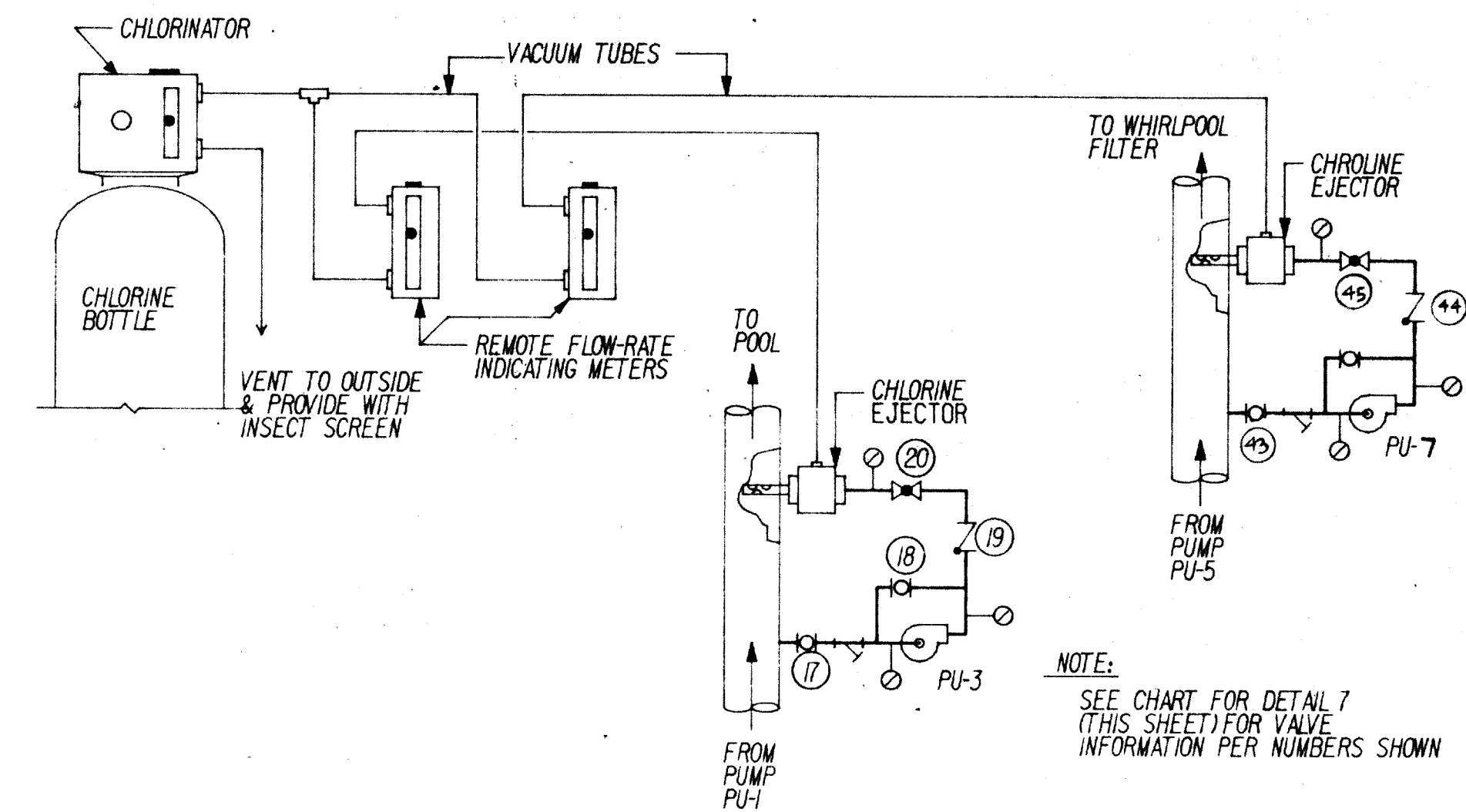


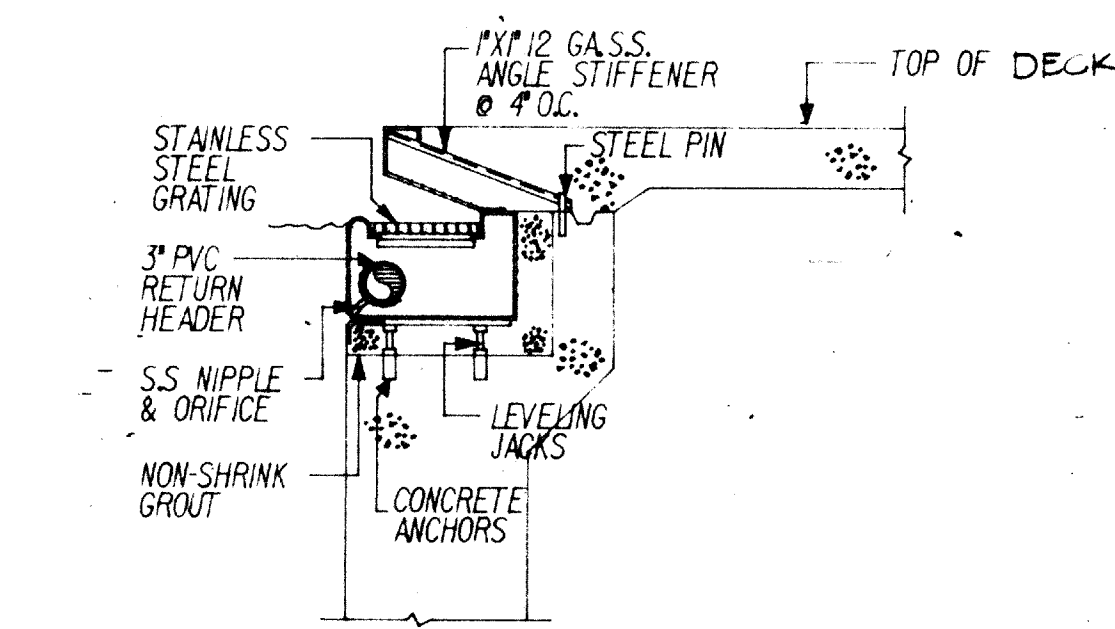
1 POOL CIRCULATING PUMP PIPING SCHEMATIC
M.9 NO SCALE



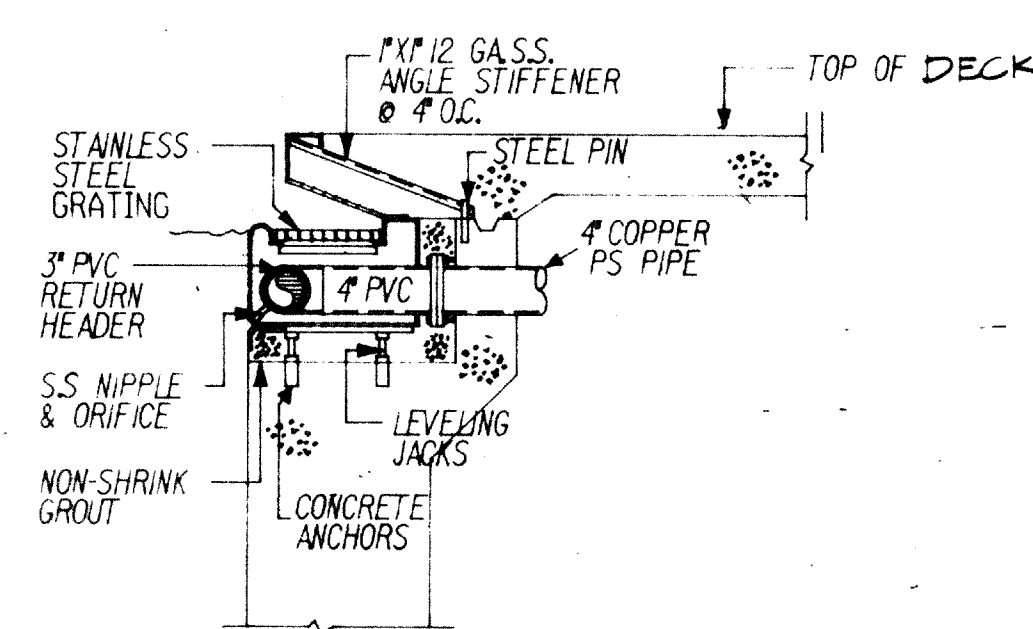
2 PIPE SLEEVE THRU WALL DETAIL
M.9 NO SCALE



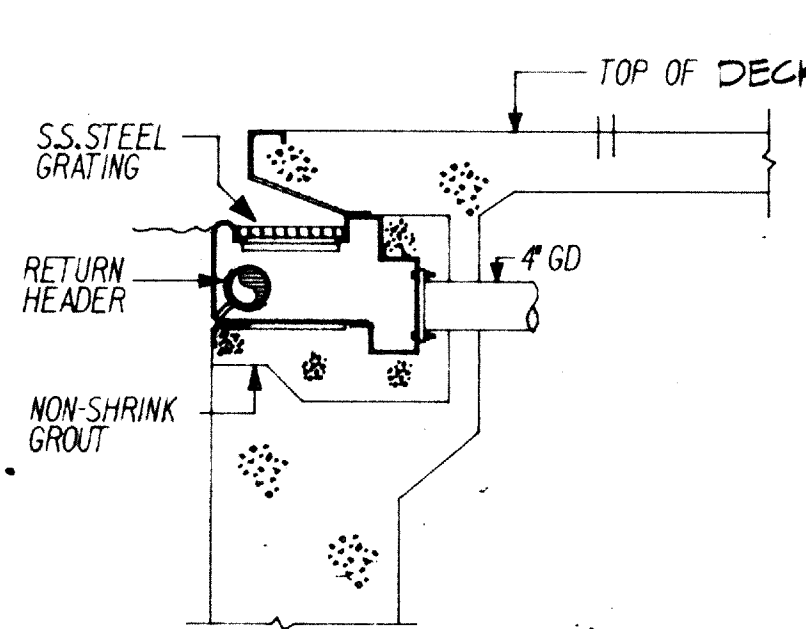
3 CHLORINATION SYSTEM SCHEMATIC (POOL AND WHIRLPOOL)
M.9 NO SCALE



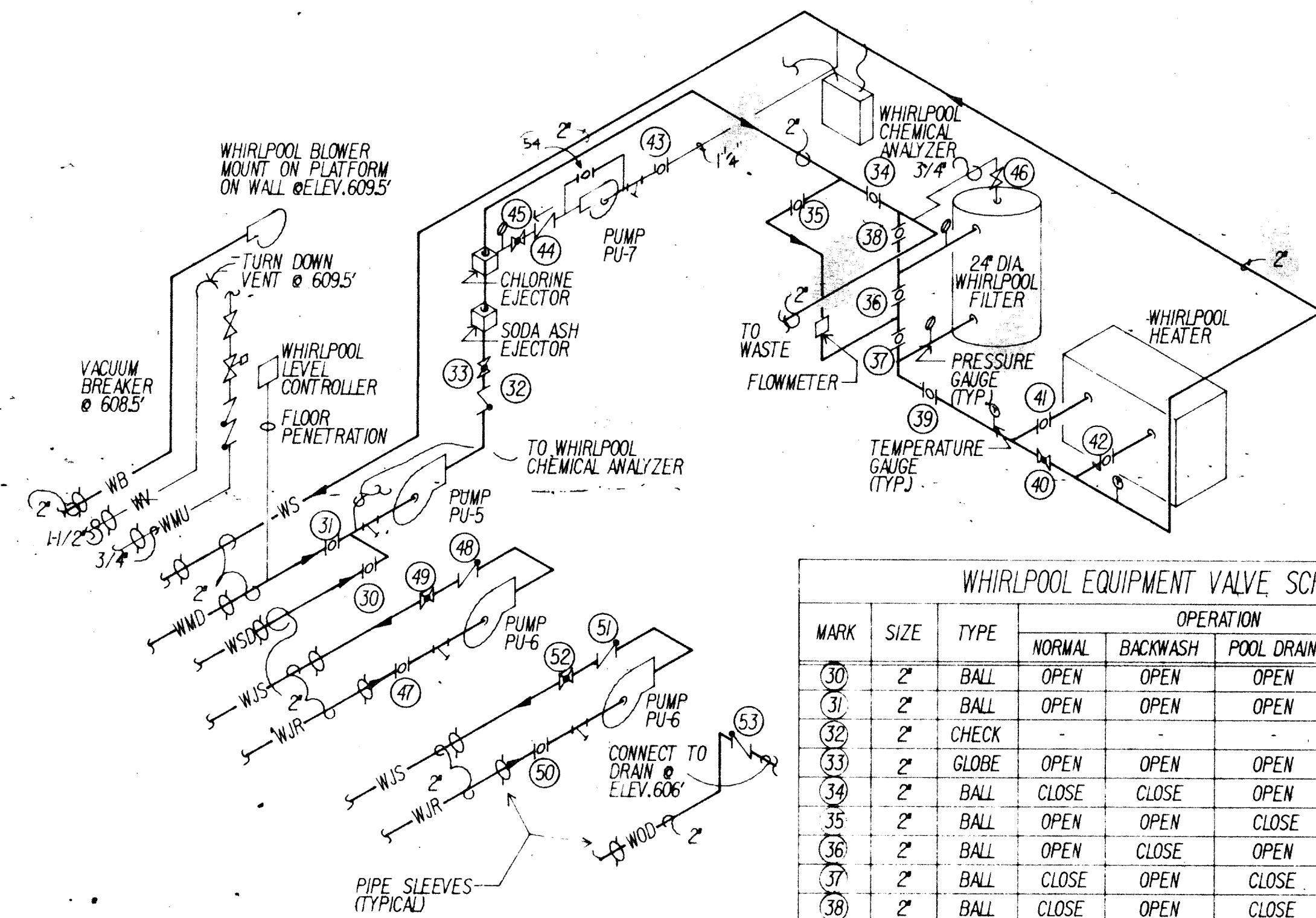
4 POOL GUTTER DETAILS
M.9 NO SCALE



POOL SUPPLY DETAIL

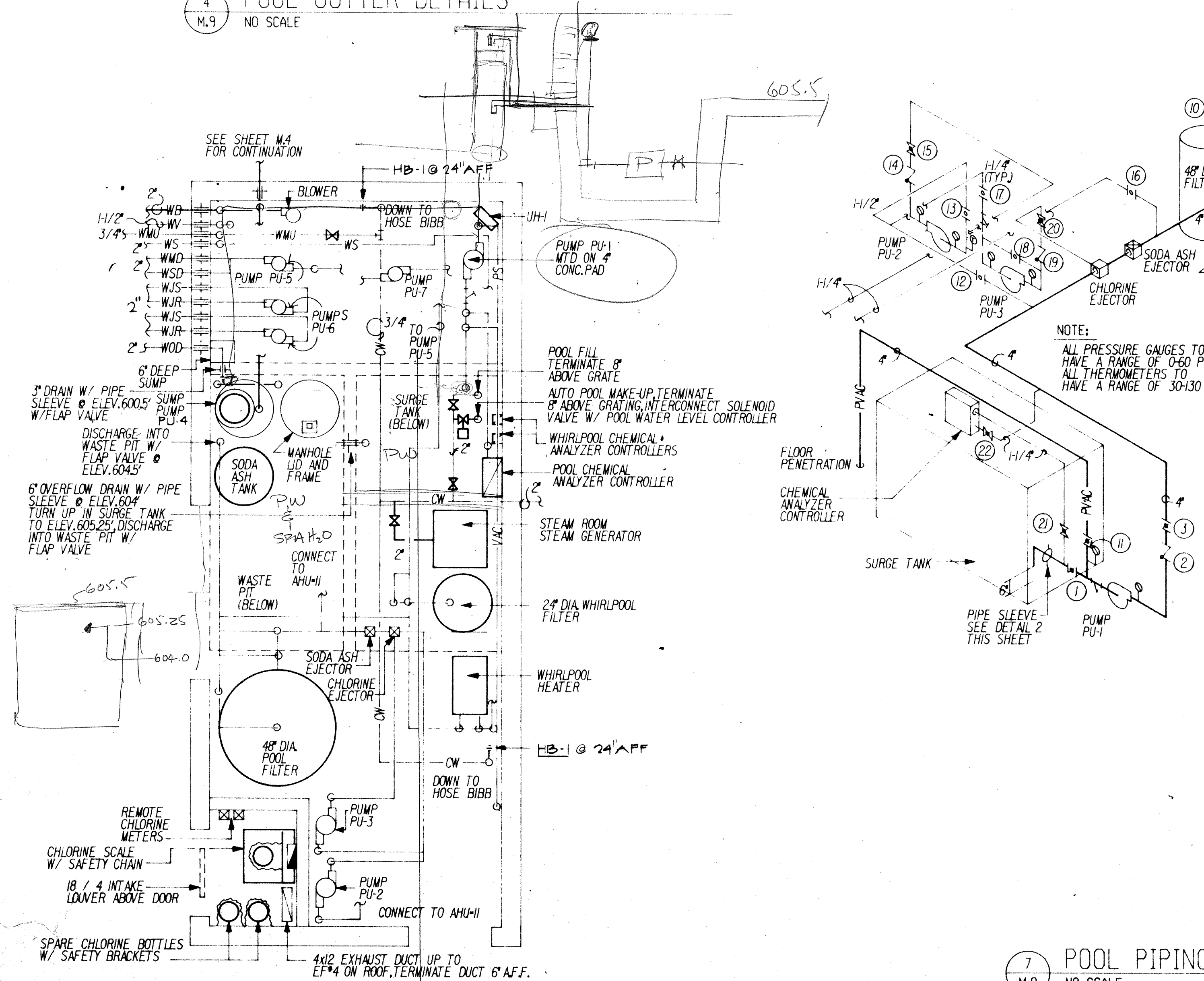


CONVERTOR FITTING DETAIL



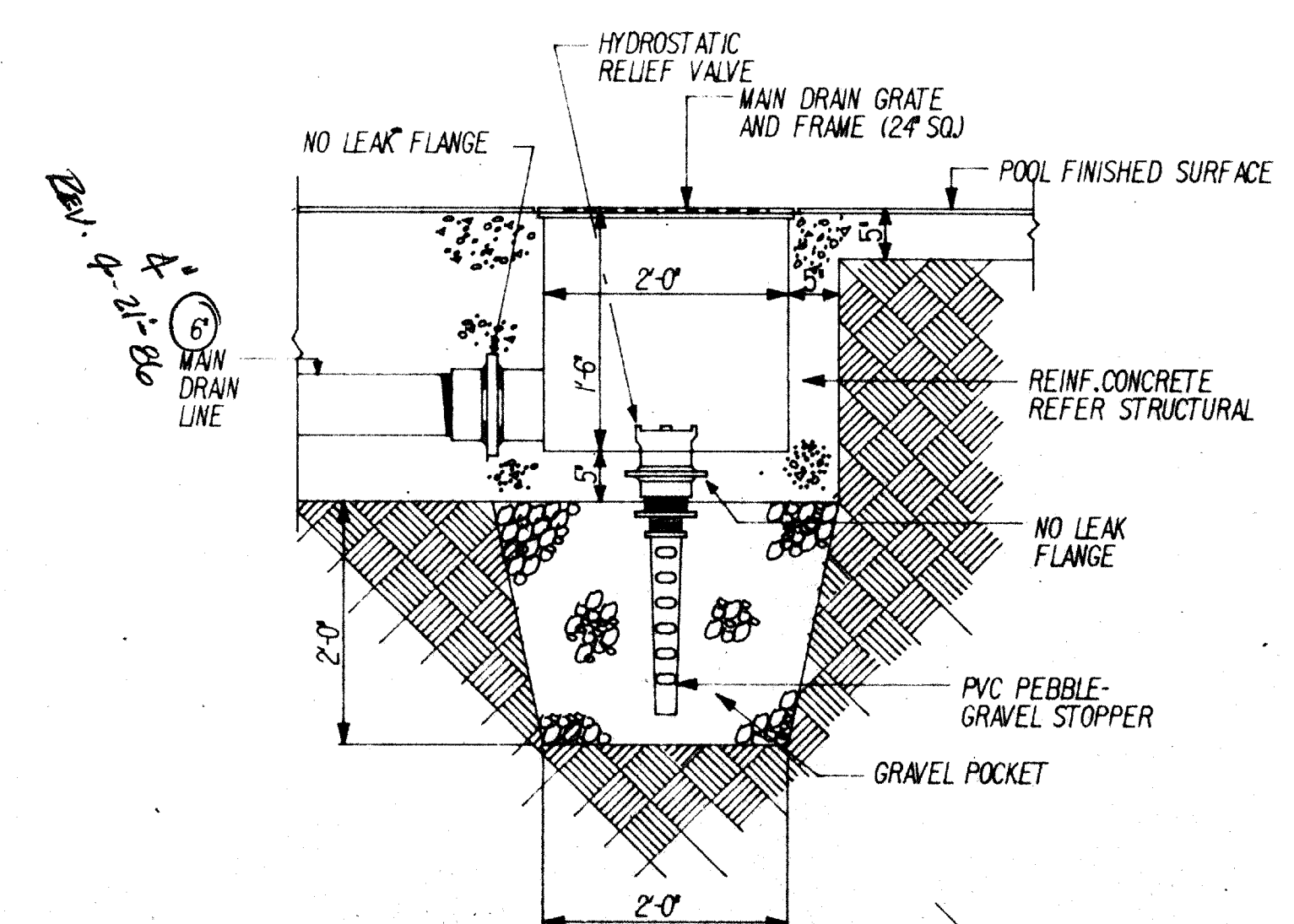
5 WHIRLPOOL PIPING AND FILTRATION SCHEMATIC
M.9 NO SCALE

WHIRLPOOL EQUIPMENT VALVE SCHEDULE							
MARK	SIZE	TYPE	OPERATION				REMARKS
			NORMAL	BACKWASH	POOL DRAIN	VACUUM	
30	2"	BALL	OPEN	OPEN	OPEN	OPEN	
31	2"	BALL	OPEN	OPEN	OPEN	CLOSE	
32	2"	CHECK					
33	2"	GLOBE	OPEN	OPEN	OPEN	OPEN	
34	2"	BALL	CLOSE	CLOSE	OPEN	CLOSE	
35	2"	BALL	OPEN	OPEN	CLOSE	OPEN	
36	2"	BALL	OPEN	CLOSE	OPEN	OPEN	
37	2"	BALL	CLOSE	OPEN	CLOSE	CLOSE	
38	2"	BALL	CLOSE	OPEN	CLOSE	CLOSE	
39	2"	BALL	OPEN	CLOSE	OPEN	OPEN	
40	2"	GLOBE	OPEN	OPEN	OPEN	OPEN	
41	2"	BALL	OPEN	OPEN	OPEN	OPEN	
42	2"	BALL	OPEN	OPEN	OPEN	OPEN	
43	1/2"	BALL	OPEN	OPEN	OPEN	OPEN	
44	1/2"	CHECK					
45	1/2"	GLOBE	OPEN	OPEN	OPEN	OPEN	
46	3/4"	GATE					AIR RELEASE
47	2"	BALL	OPEN	OPEN	OPEN	OPEN	
48	2"	CHECK					
49	2"	GLOBE	OPEN	OPEN	OPEN	OPEN	
50	2"	BALL	OPEN	OPEN	OPEN	OPEN	
51	2"	CHECK					
52	2"	GLOBE	OPEN	OPEN	OPEN	OPEN	
53	2"	CHECK					
54	1/4"	BALL	CLOSE	CLOSE	CLOSE	CLOSE	



7 POOL PIPING AND FILTRATION SCHEMATIC
M.9 NO SCALE

POOL EQUIPMENT VALVE SCHEDULE							
MARK	SIZE	TYPE	OPERATION				REMARKS
			NORMAL	BACKWASH	POOL DRAIN	VACUUM	
1	4"	BUTTERFLY	OPEN	OPEN	OPEN	CLOSE	
2	4"	CHECK					
3	4"	BUTTERFLY	OPEN	OPEN	OPEN	OPEN	
4	4"	BUTTERFLY	OPEN	OPEN	CLOSE	OPEN	
5	4"	BUTTERFLY	CLOSE	CLOSE	OPEN	CLOSE	
6	4"	BUTTERFLY	OPEN	CLOSE	OPEN	OPEN	
7	4"	BUTTERFLY	CLOSE	OPEN	CLOSE	CLOSE	
8	4"	BUTTERFLY	CLOSE	OPEN	CLOSE	CLOSE	
9	4"	BUTTERFLY	OPEN	CLOSE	OPEN	OPEN	
10	3/4"	GATE	CLOSE	CLOSE	CLOSE	CLOSE	AIR RELEASE
11	4"	BUTTERFLY	CLOSE	CLOSE	CLOSE	OPEN	
12	1/2"	BALL	OPEN	OPEN	OPEN	OPEN	
13	1/2"	BALL	OPEN	OPEN	OPEN	OPEN	
14	1/2"	CHECK					
15	1/2"	GLOBE	OPEN	OPEN	OPEN	OPEN	BALANCING FLOW THRU POOL HTR
16	1/2"	BALL	OPEN	OPEN	OPEN	OPEN	
17	1/2"	BALL	OPEN	OPEN	OPEN	OPEN	
18	1/2"	BALL	CLOSE	CLOSE	CLOSE	CLOSE	
19	1/2"	CHECK					
20	1/2"	GLOBE	OPEN	OPEN	OPEN	OPEN	BALANCING FLOW THRU CHLORINE EJECTOR
21	1/4"	GLOBE	OPEN	OPEN	OPEN	OPEN	
22	1/4"	GLOBE	OPEN	OPEN	OPEN	OPEN	



8 POOL MAIN DRAIN DETAIL
M.9 NO SCALE

6 ENLARGED POOL EQUIPMENT ROOM PLAN
M.9 NO SCALE

SHEET NO.	
BASE	
A	
B	
C	
D	
E	
F	
G	
H	
I	
J	
K	
L	
M	
N	
O	
P	
Q	
R	
S	
T	
U	
V	
W	
X	
Y	
Z	

ADDISON RECREATION CENTER
3900 BELTWAY DRIVE
ADDISON, TEXAS

ADDISON

The Benham Group Dallas
architects
engineers
planners
1341 w. mockingbird ln.
suite 517 e
dallas, texas

drawn **J. DARRY**
chk d **J. TURMETY**
date **3-19-88**
revisions
no. date

M-9