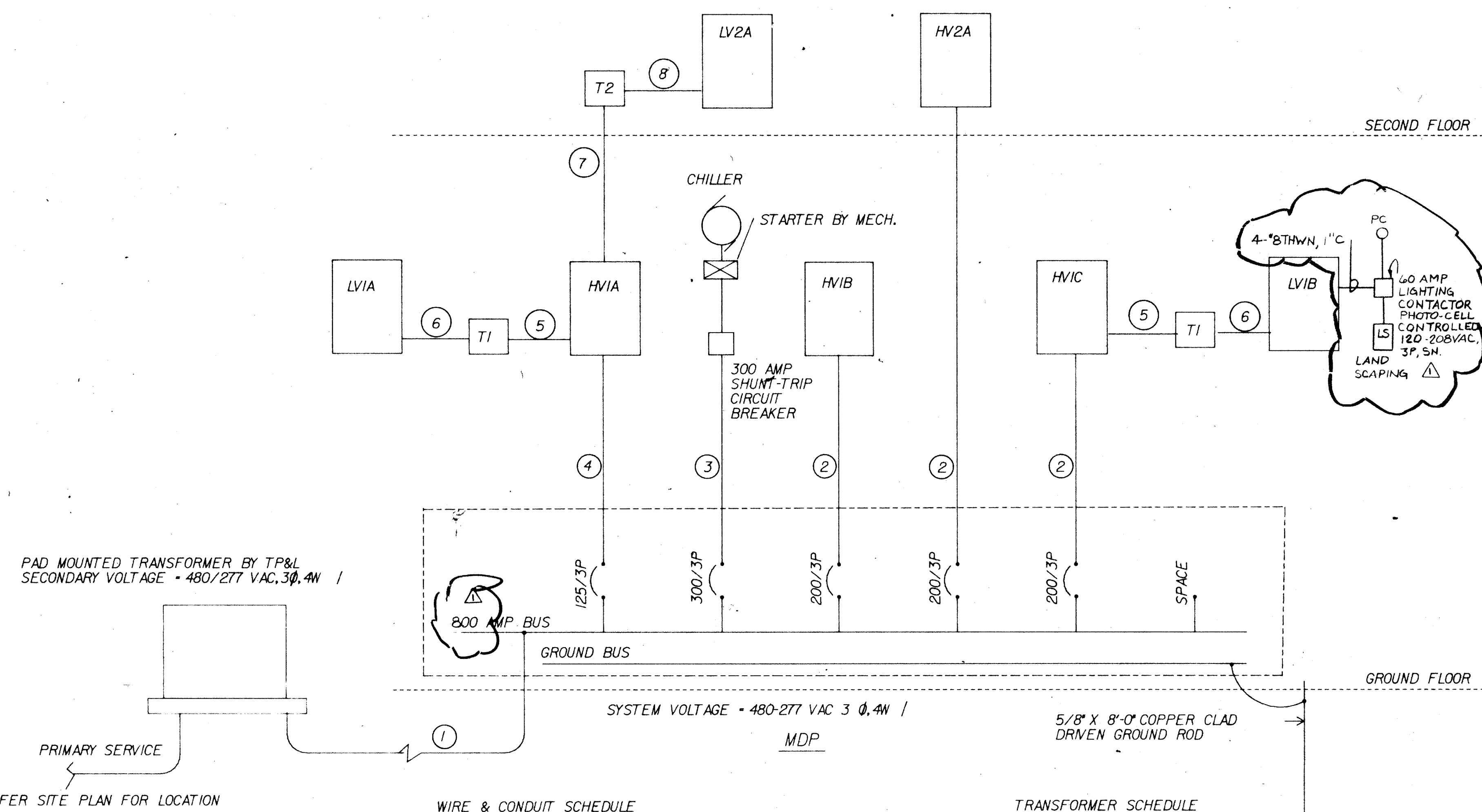
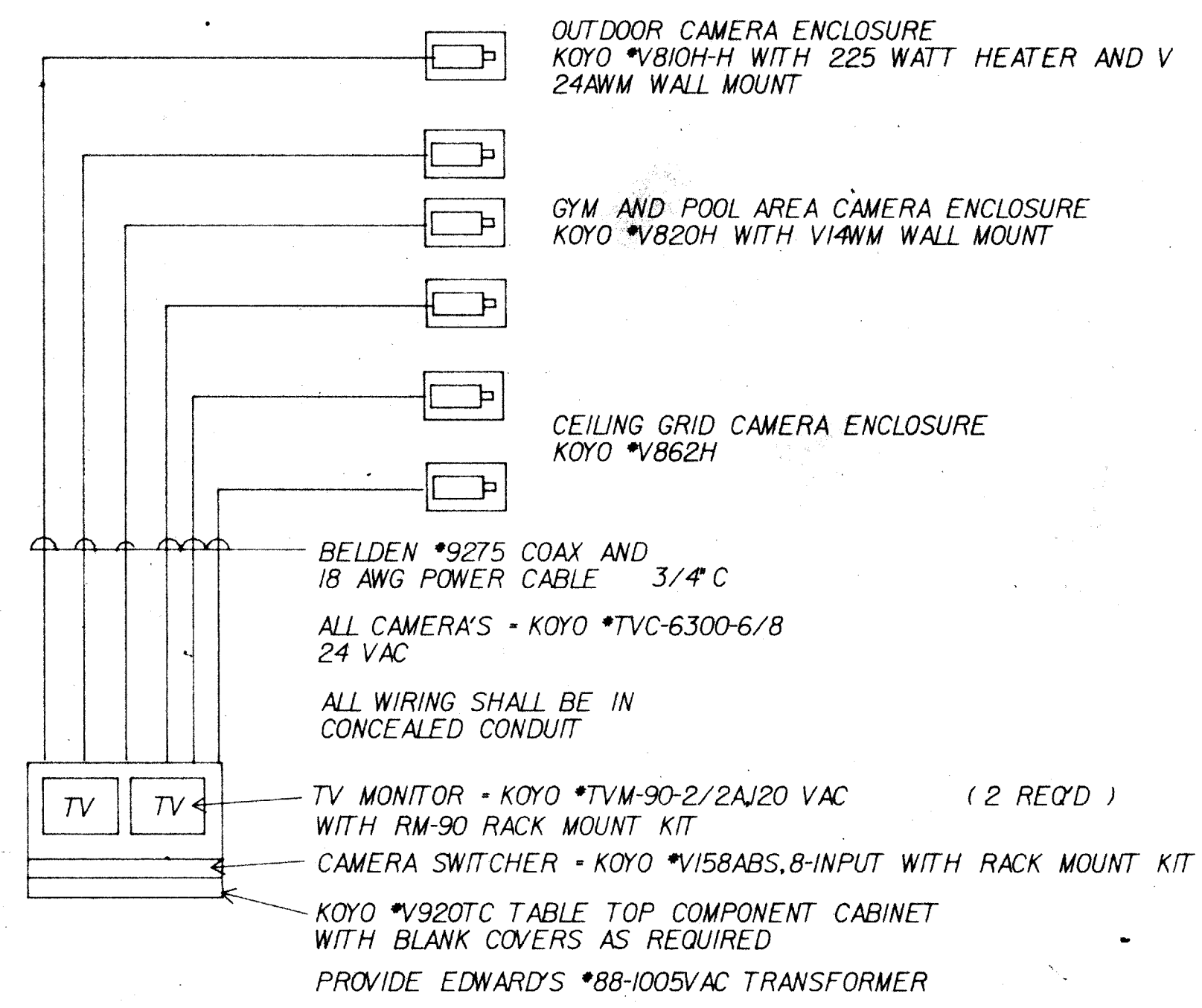
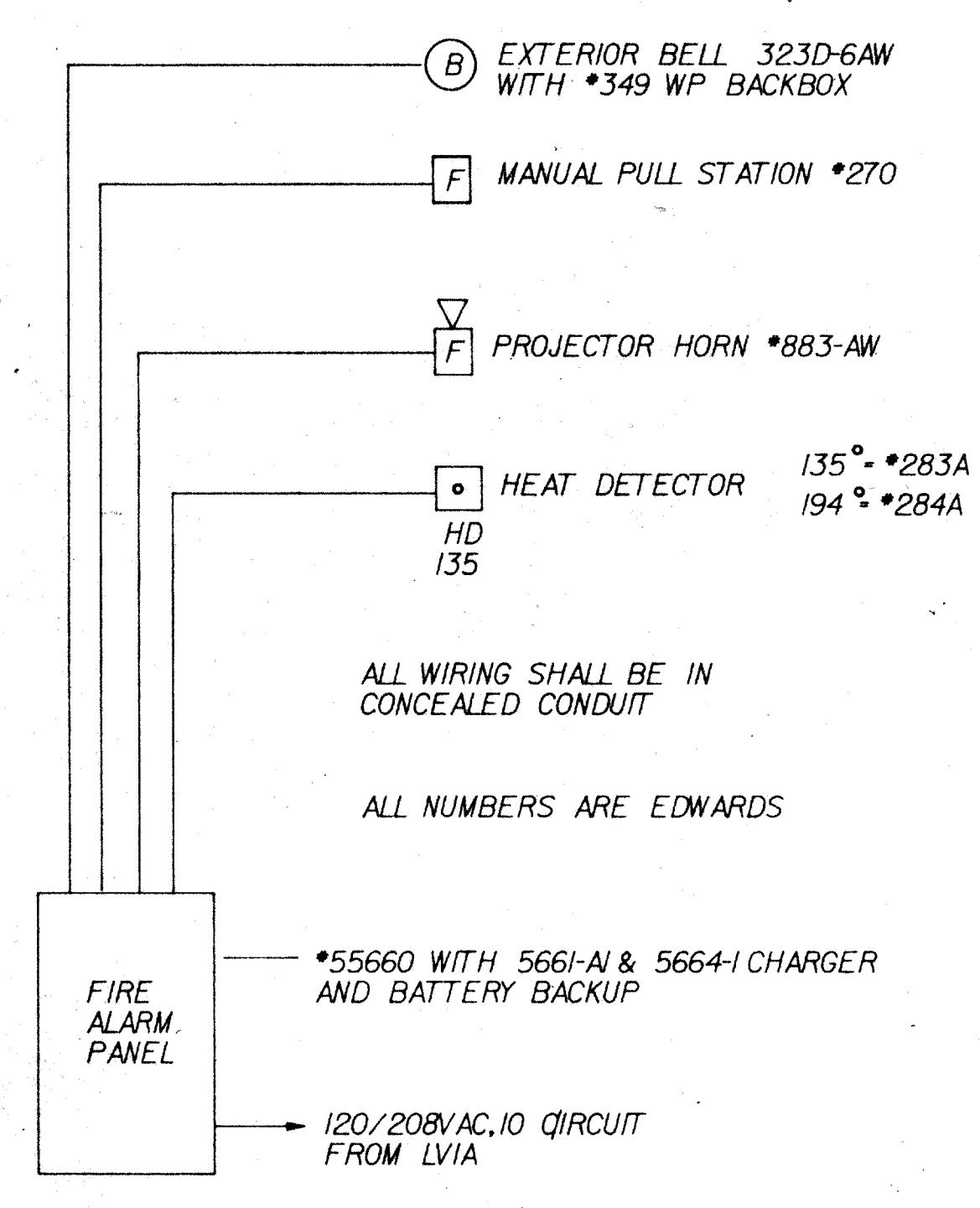


SHEET NO.	
BASE	
C	
L	
A	
3	
2	
1	
COMPOSITE	



A- FIRE ALARM RISER  
NO SCALE

B- CCTV SYSTEM RISER  
NO SCALE

WIRE & CONDUIT SCHEDULE

TRANSFORMER SCHEDULE

- 1 2 RUNS - 3-500 MCM THWN, \*4/0 THWN NEUT, \*2/0 BARE GRD., 4" PVC SCH. 40
- 2 3-#4/0 THWN, \*4/0 THWN NEUT, \*4 GND., 2 1/2" RGSC
- 3 3-#350 MCM THWN, \*4 GND., 3" RGSC
- 4 3-#1/0 THWN, \*1/0 NEUT, \*6 GND., 2" RGSC
- 5 3-#6 THWN, 36G, 1" RGSC
- 6 4-#1/0 THWN, \*6G, 2" RGSC
- 7 3-#8 THWN, \*8G, 3/4" RGSC
- 8 4-#3 THWN, \*8G 1 1/4" RGSC

- T1 480/120-208 VAC, 3Ø, 4W, 45 KVA
- T2 480/120-208 VAC, 3Ø, 4W, 30 KVA

PANEL SCHEDULE

PANEL ID : LS LOCATION : 1ST FLR ELEC. RM

TYPE : 100 AMP MLO

PANEL SPECIFICATION : 100 AMP MLO

VOLTAGE : 120/208-3Ø-4W

NUMBER OF CIRCUITS : 18

MOUNTING : SURFACE

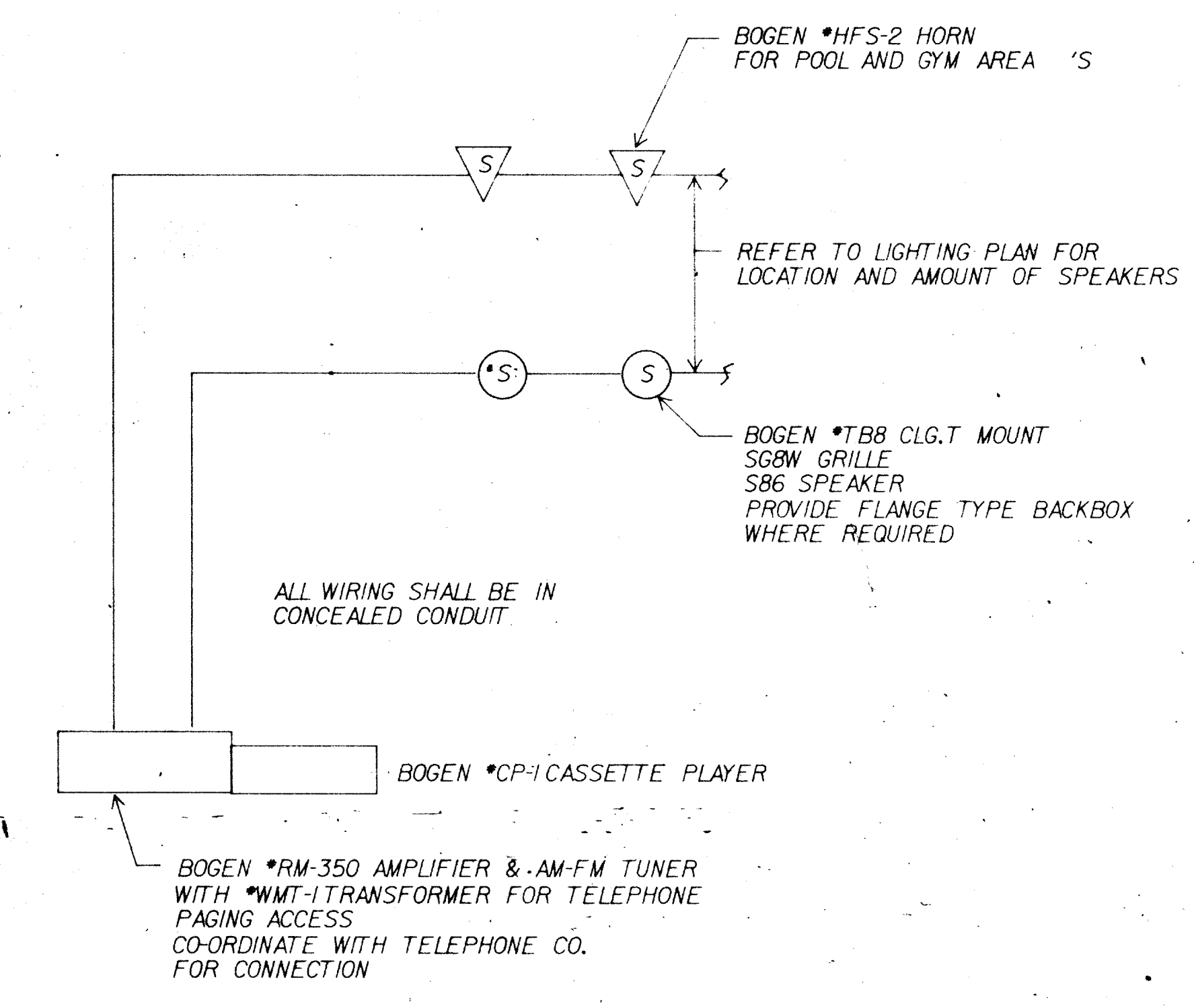
INTERRUPTING CAPACITY : 10000

CIR. NO.	BREAKER	CIRCUIT DESCRIPTION	LOAD (WATTS)	Ø	LOAD (WATTS)	CIRCUIT DESCRIPTION	BREAKER	CIR. NO.
1	20/1P	LTG. BACK DOOR	100	A		LANDSCAPE LTG		2
3		LANDSCAPE LTG		B		LANDSCAPE LTG		4
5		LANDSCAPE LTG		C		LANDSCAPE LTG		6
7		LANDSCAPE LTG		A		LANDSCAPE LTG		8
9		LANDSCAPE LTG		B		LANDSCAPE LTG		10
11		LANDSCAPE LTG		C		LANDSCAPE LTG		12
13				A				14
15				B				16
17				C				18

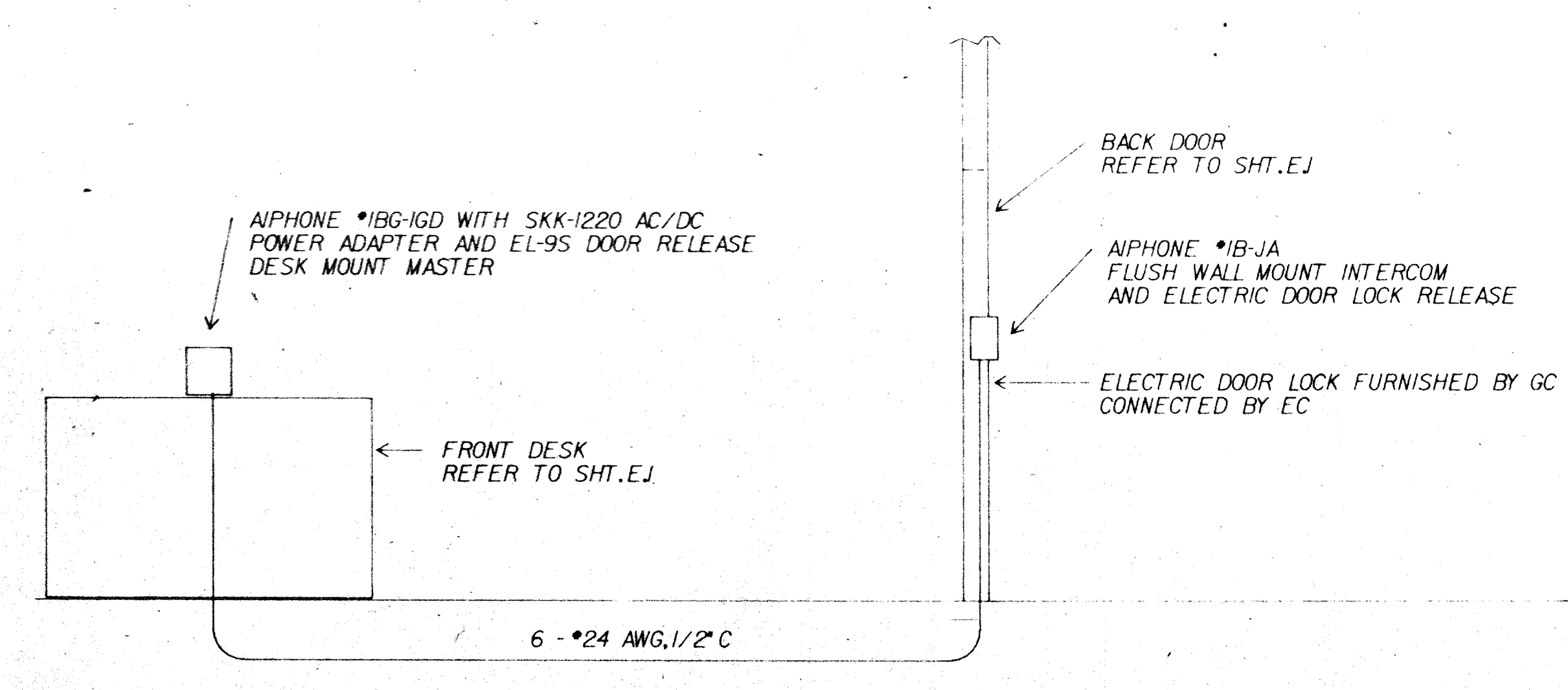
CONNECTED LOAD      CONNECTED KVA      DESIGN LOAD, KVA  
AØ      BØ      CØ      CONNECTED AMPS      DESIGN AMPS

BRANCH CIRCUITS SHOWN AS LANDSCAPE SHALL BE CONNECTED UNDER LANDSCAPE CONTRACT.

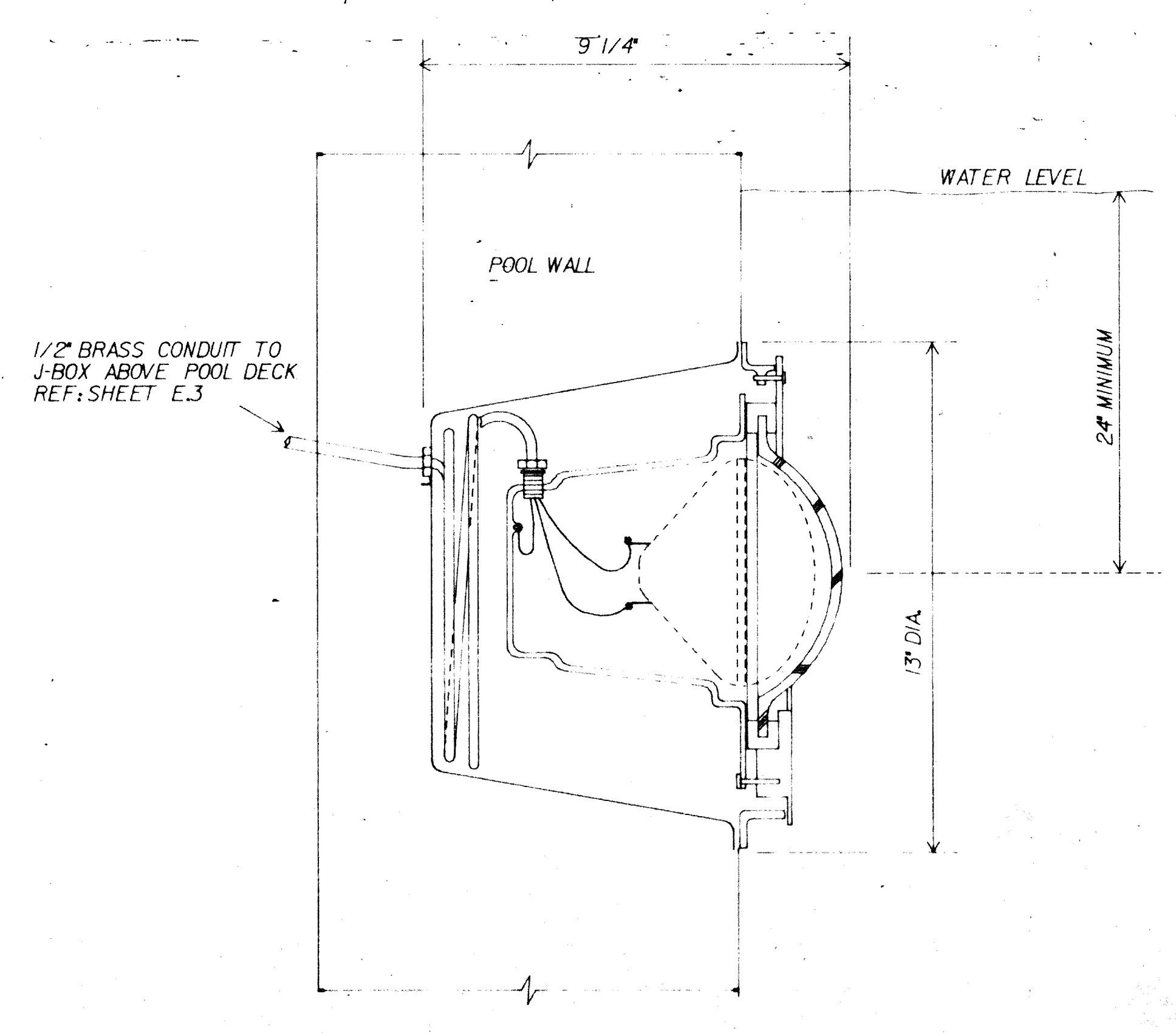
E- ELECTRICAL RISER DIAGRAM  
NO SCALE



C- BACKGROUND MUSIC SYSTEM  
NO SCALE



D- INTERCOM AND DOOR RELEASE  
NO SCALE

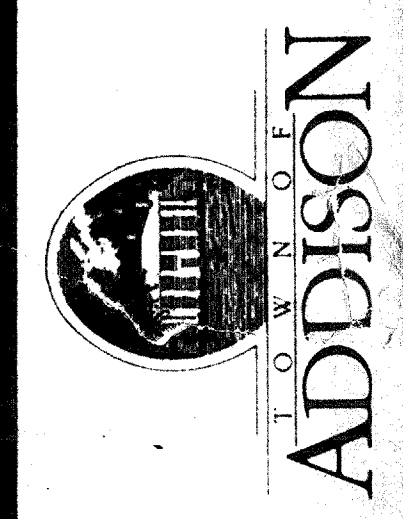


F- POOL LIGHT  
NO SCALE

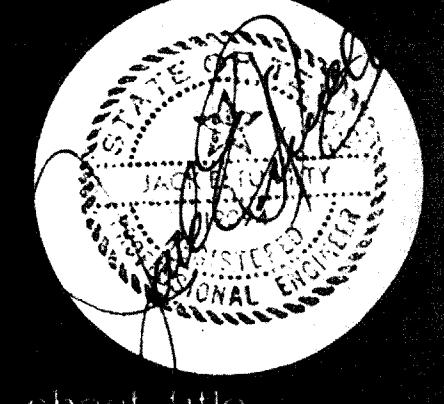
- ⊕ DUPLEX RECEPTACLE
- ⊕ FLUSH MOUNTED FLOOR RECEPTACLE
- ⊕ GFI WP DUPLEX RECEPTACLE GFI - GROUND FAULT INTERRUPTING WP - WEATHERPROOF
- ⊕ TELEPHONE OUTLET
- ⊕ SINGLE POLE SWITCH, SHALL BE HP RATED IF USED AS A MOTOR DISCONNECT
- ⊕ BREAK-GLASS FIRE ALARM PULL STATION
- ⊕ FIRE ALARM HORN
- ⊕ HD HEAT DETECTOR, TYPE AS SHOWN
- ⊕ B FIRE ALARM BELL
- ⊕ DISCONNECT SWITCH
- ⊕ COMBINATION STARTER/DISCONNECT SWITCH
- ⊕ LIGHT FIXTURES, AS SCHEDULED
- ⊕ FLUSH CEILING MOUNTED PAGING SPEAKER
- ⊕ PAGING SPEAKER HORN
- ⊕ CCTV CAMERA

ELECTRICAL LEGEND

**ADDISON RECREATION CENTER**  
3900 BELTWAY DRIVE  
ADDISON, TEXAS



**The Benham Group** Dallas  
architects  
engineers  
planners  
1341 w. mockingbird In.  
suite 517 e  
dallas, texas



SHEET TITLE  
**ELECTRICAL DETAILS**

drawn **D. GOWNS**  
chk'd **D. WHITMAN**  
date **3-19-86**

revisions  
no. date  
Δ 4-21-86