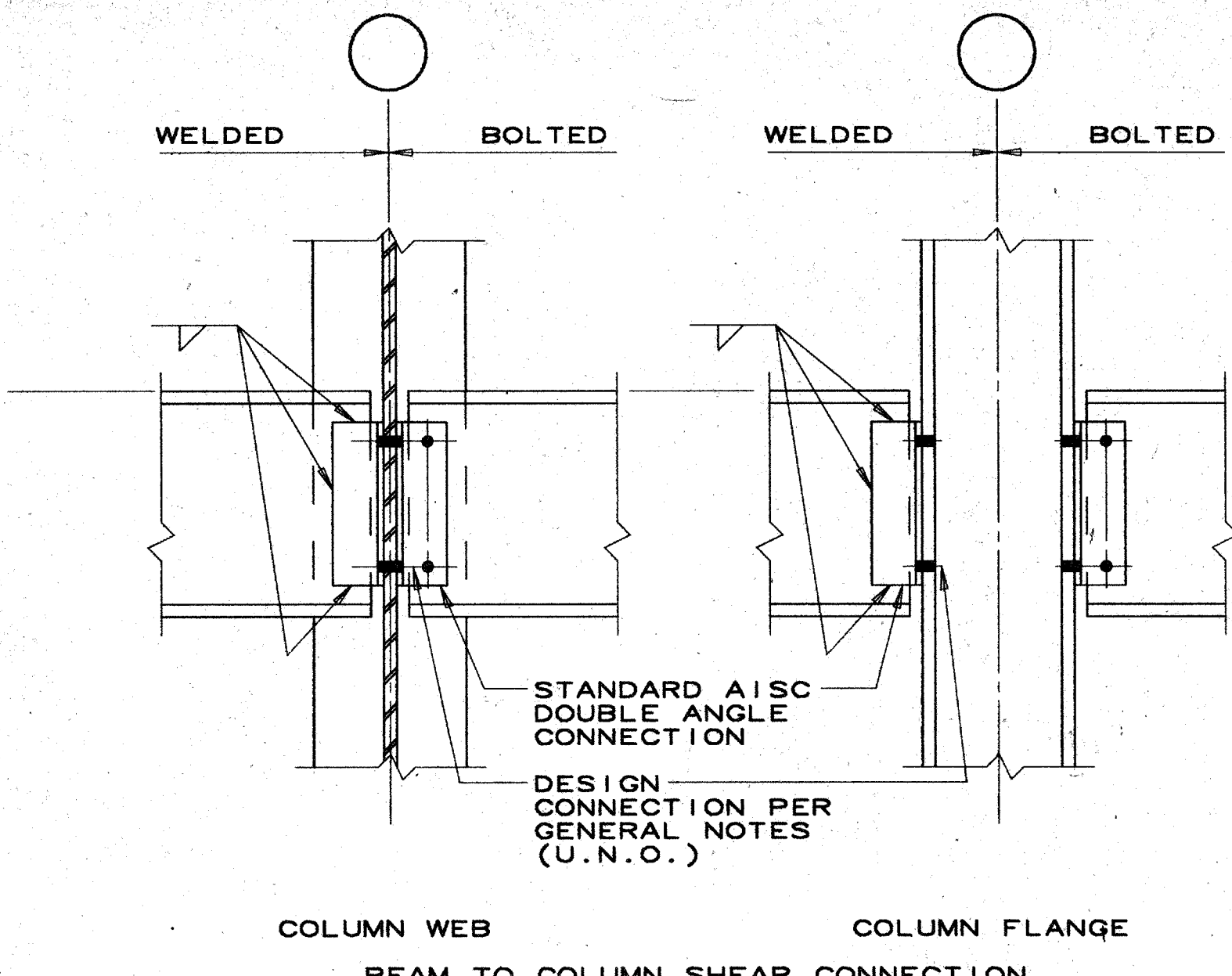
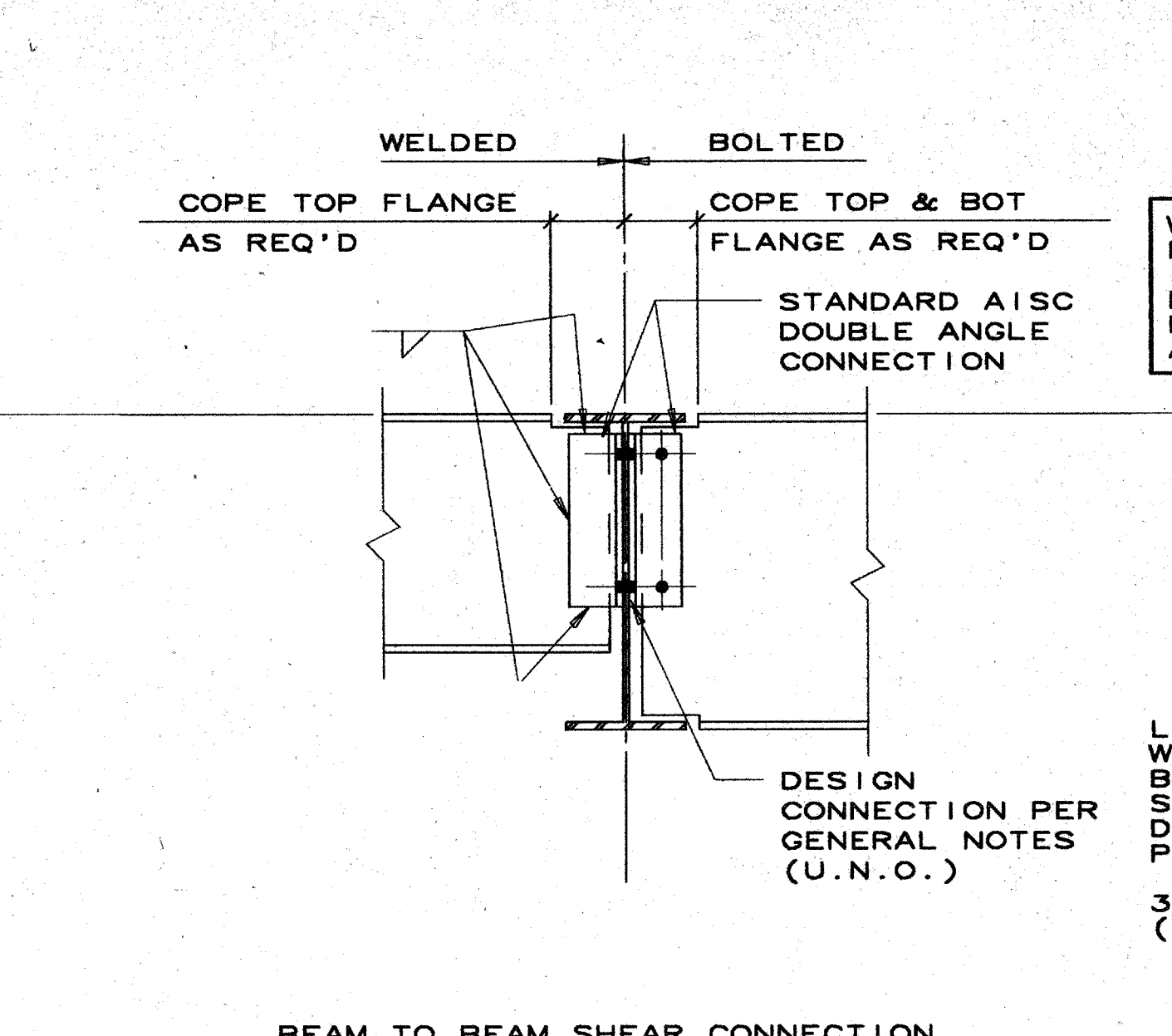


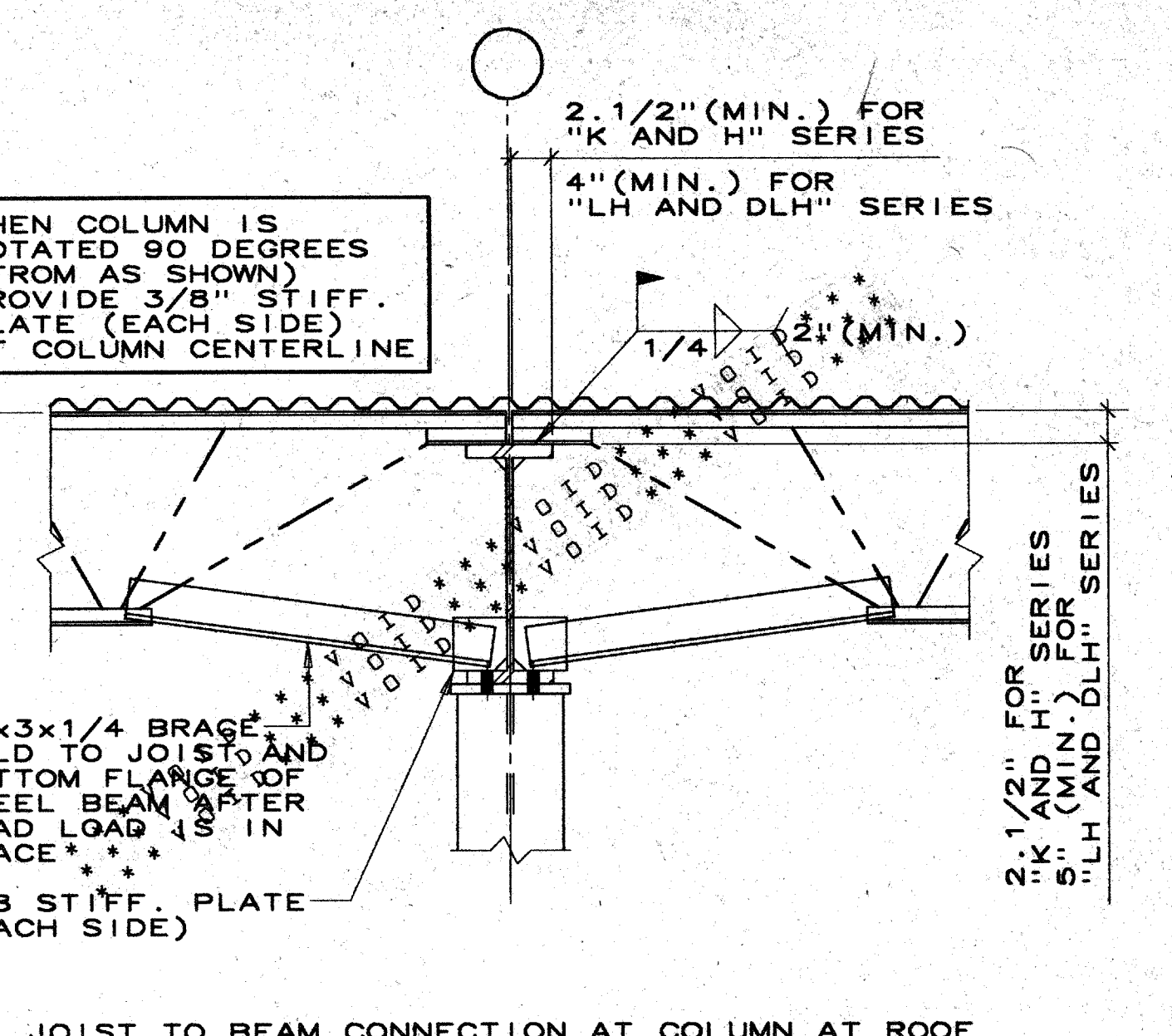
01 TYPICAL DETAIL
SCALE: 1"=1'-0"



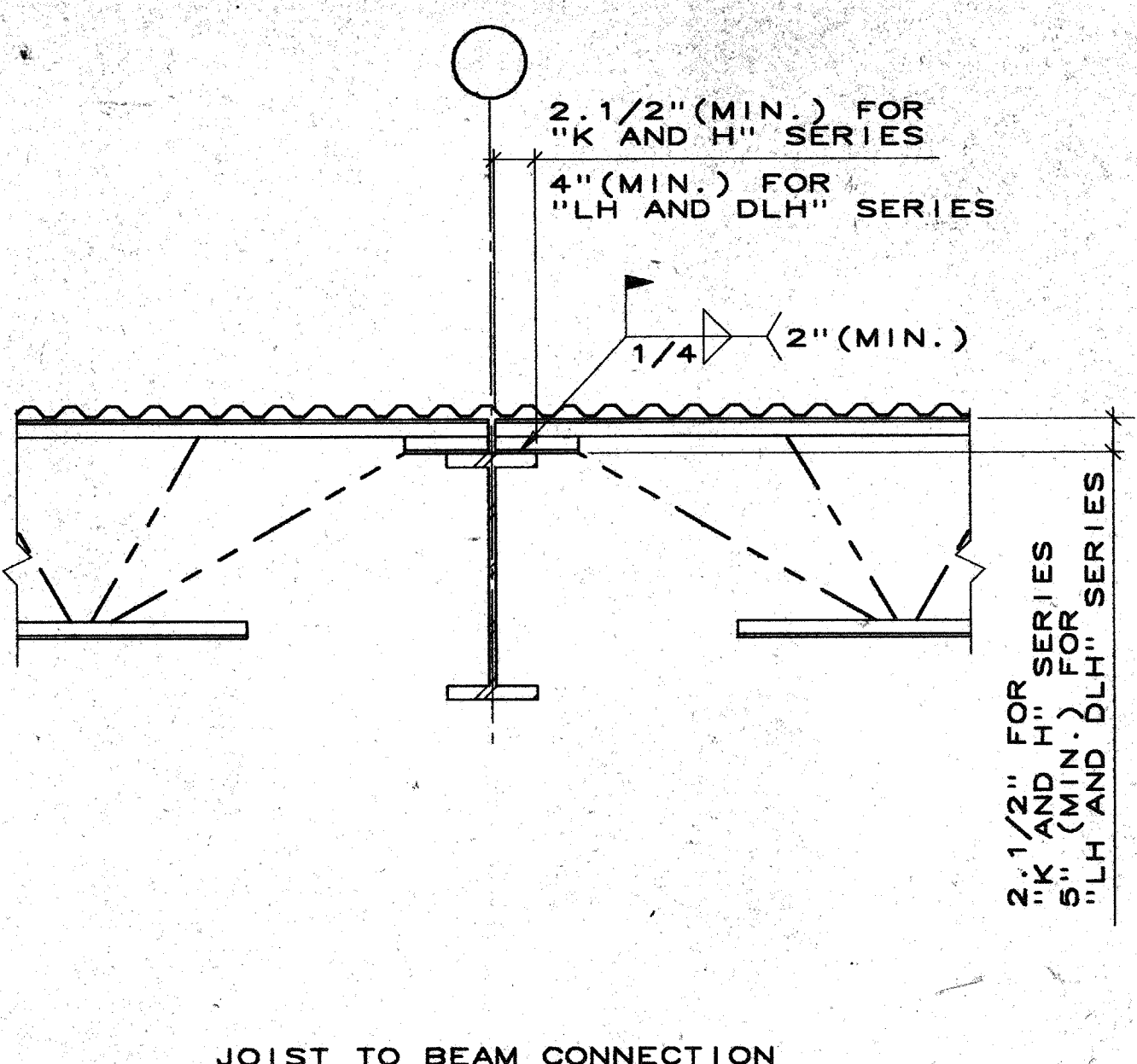
02 TYPICAL DETAIL
SCALE: 1"=1'-0"



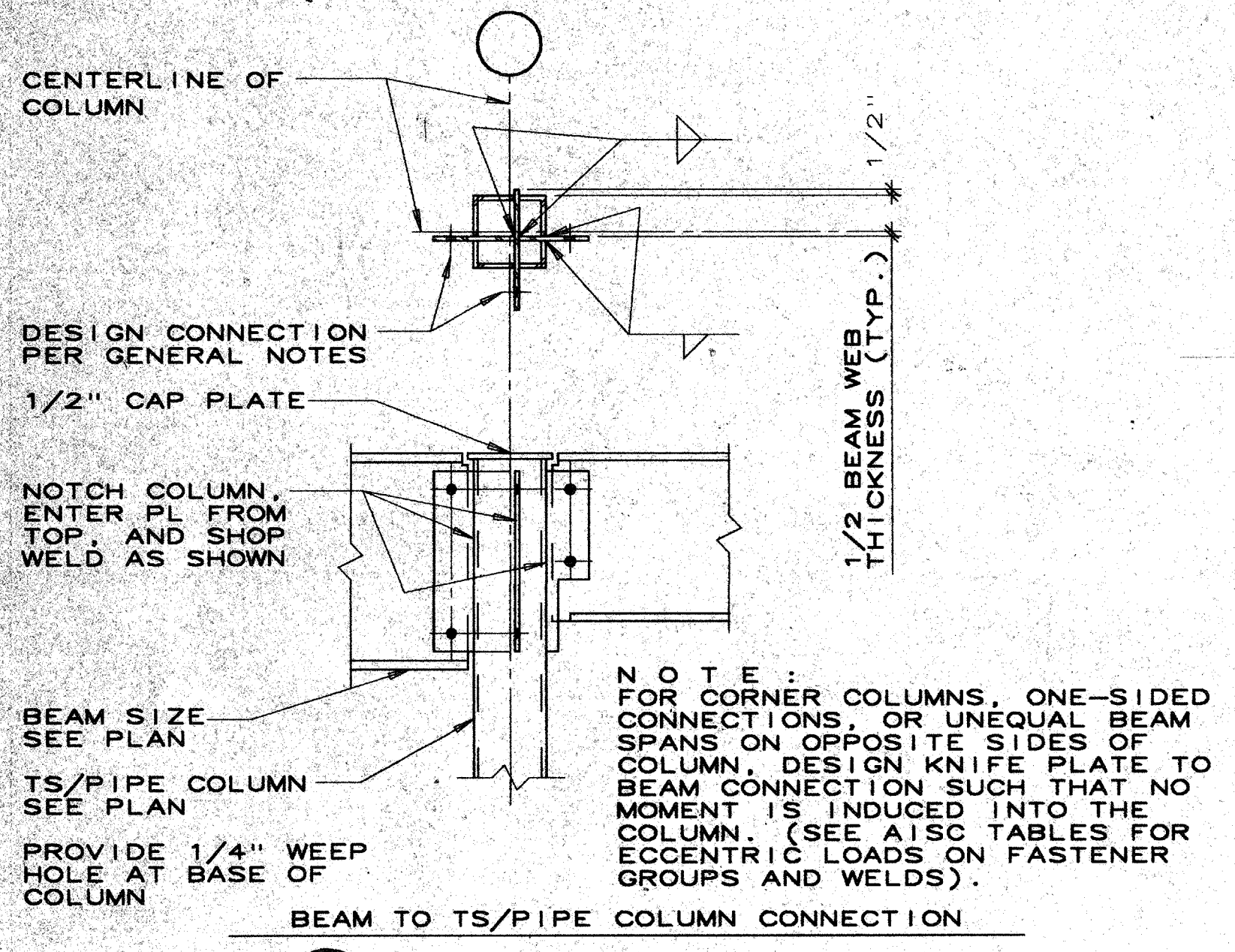
03 TYPICAL DETAIL
SCALE: 1"=1'-0"



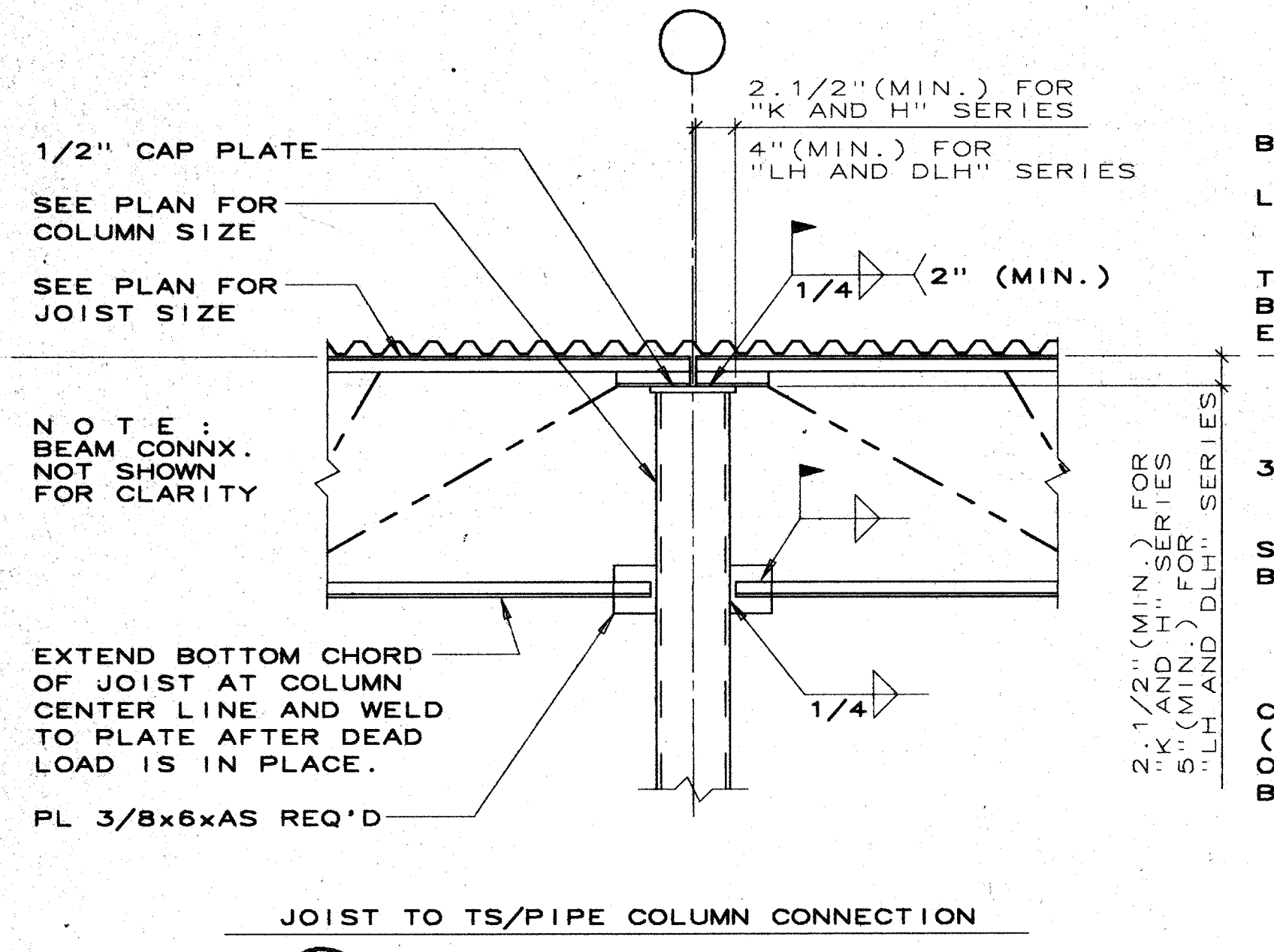
04 TYPICAL DETAIL
SCALE: 1"=1'-0"



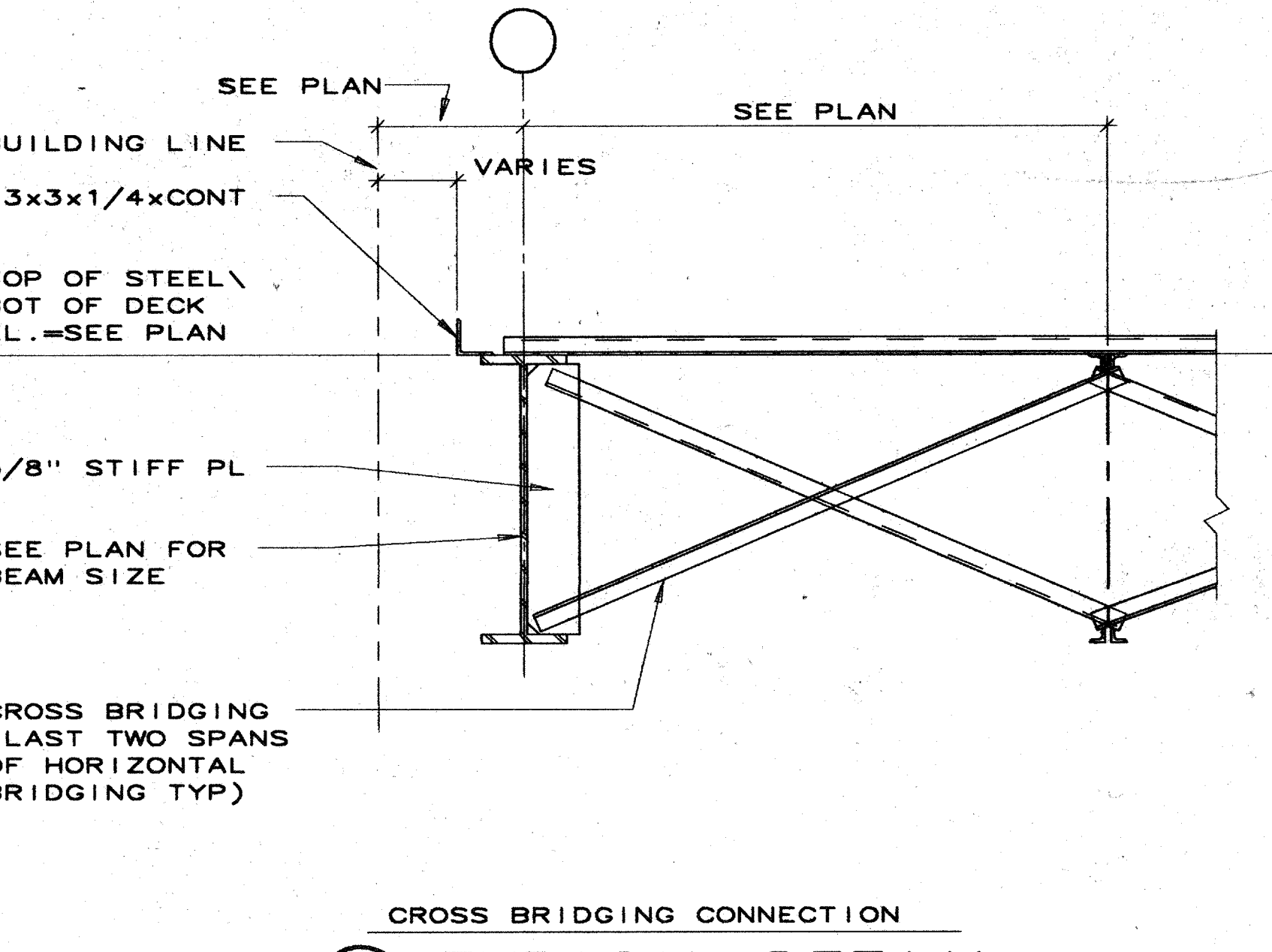
05 TYPICAL DETAIL
SCALE: 1"=1'-0"



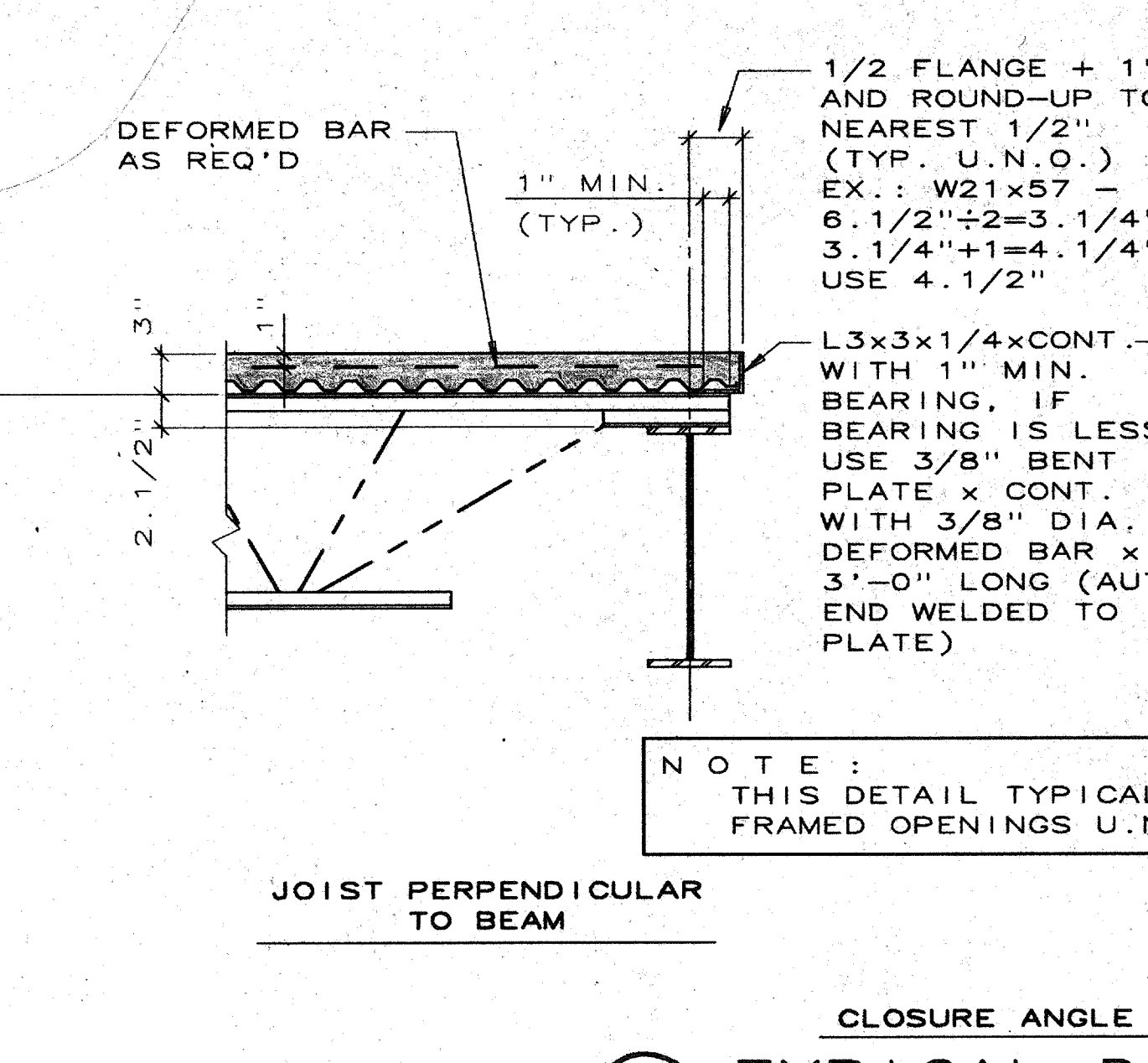
06 TYPICAL DETAIL
SCALE: 1"=1'-0"



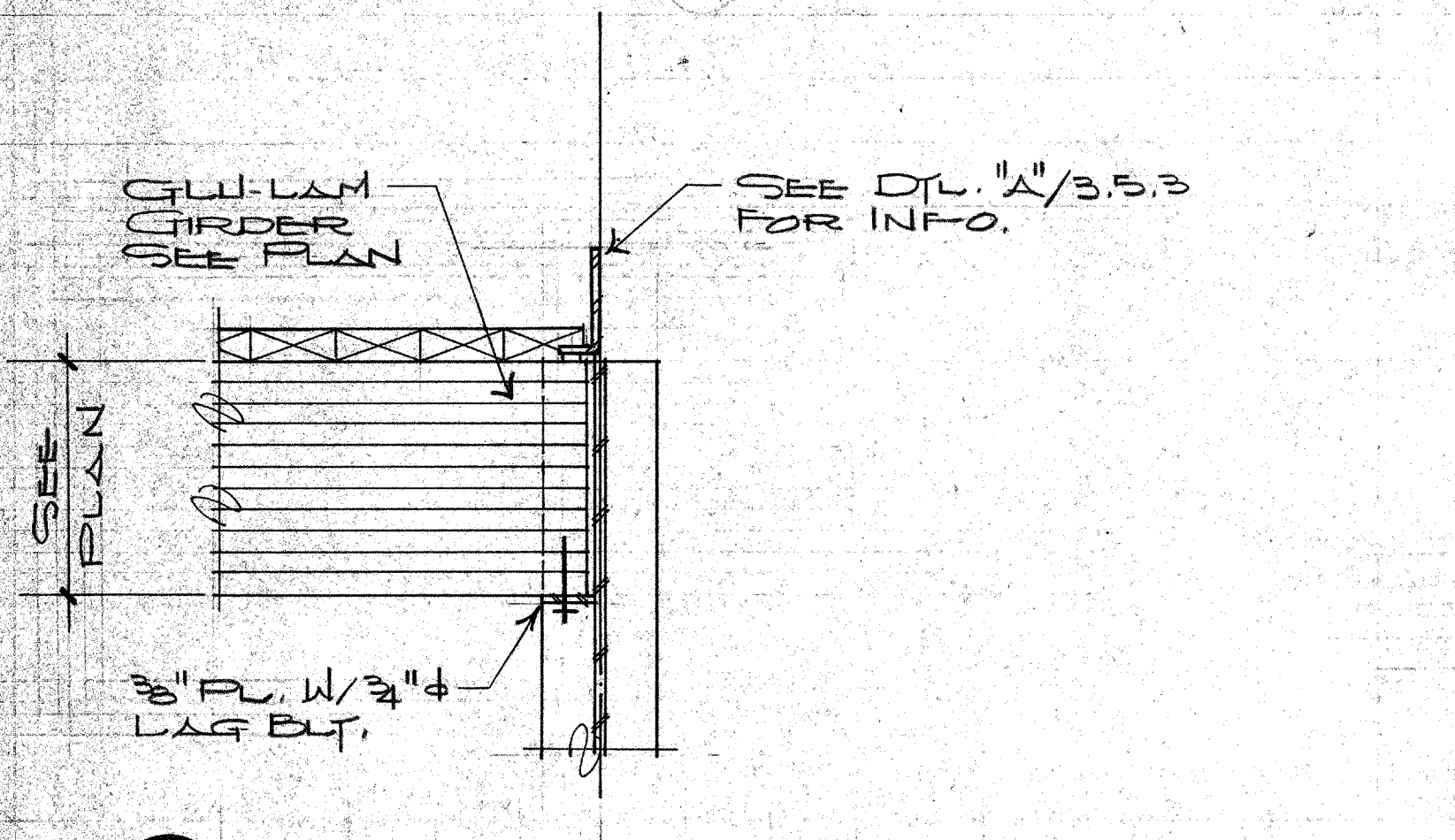
07 TYPICAL DETAIL
SCALE: 1"=1'-0"



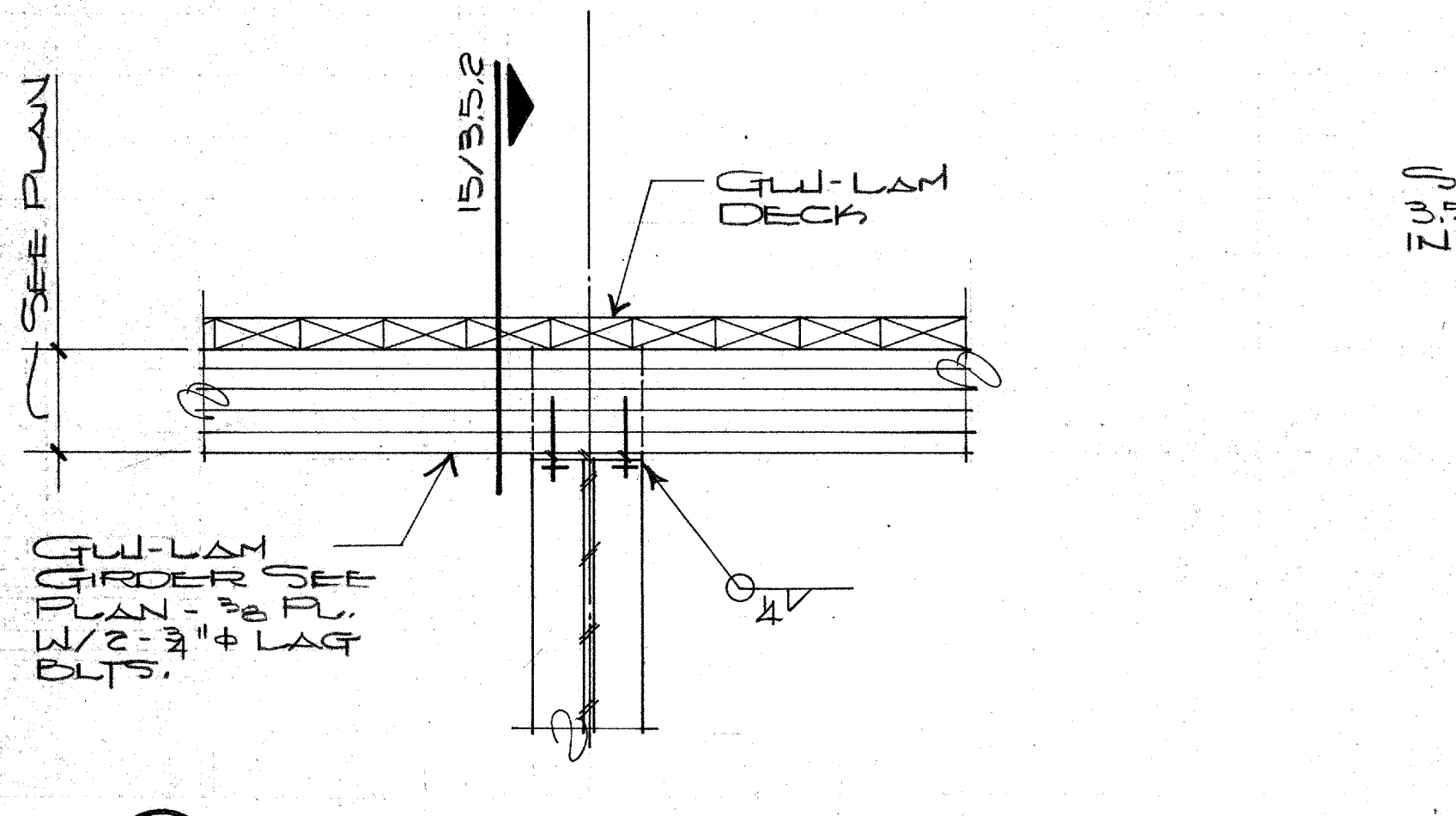
08 TYPICAL DETAIL
SCALE: 1"=1'-0"



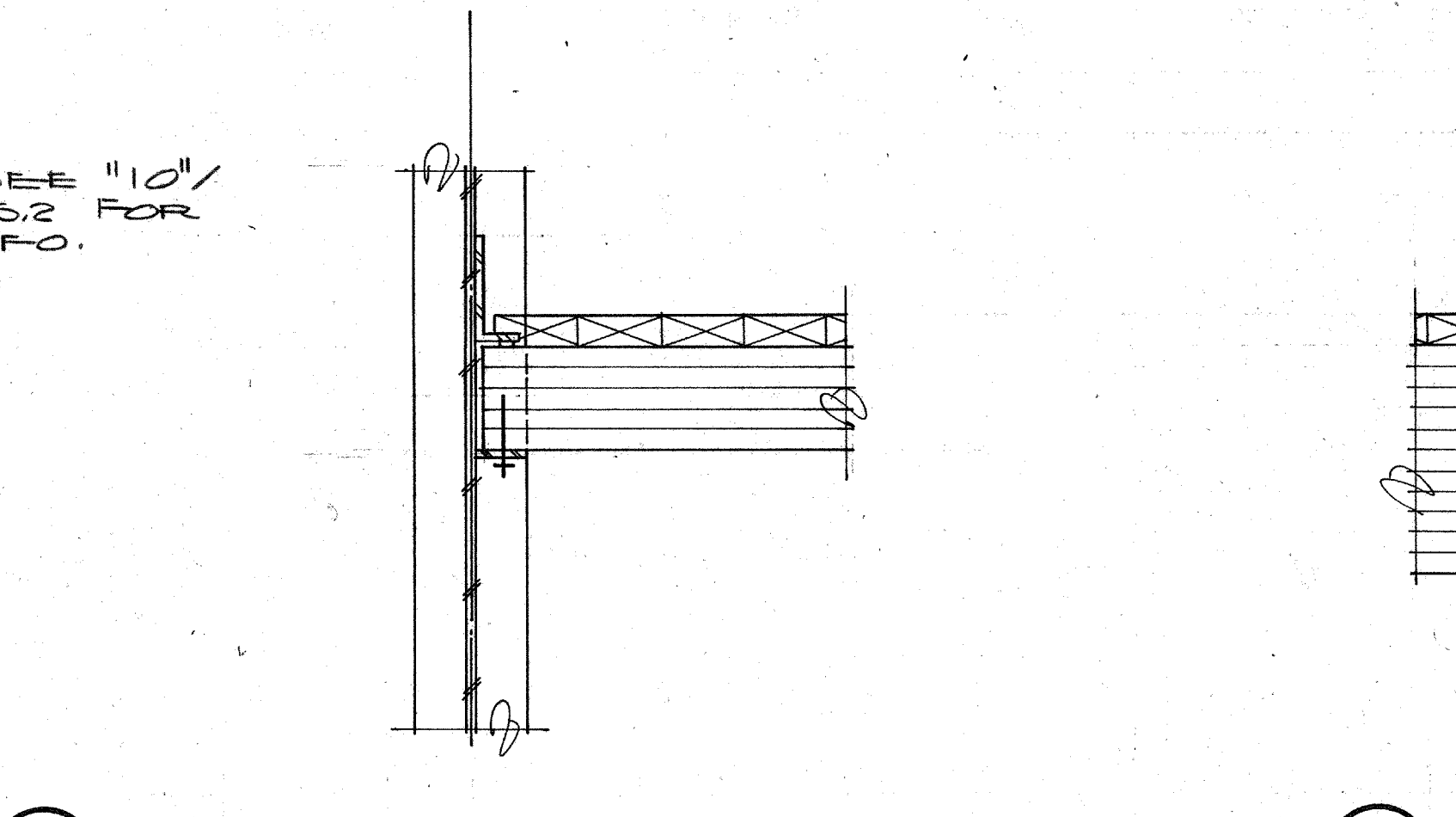
09 TYPICAL DETAIL
SCALE: 1"=1'-0"



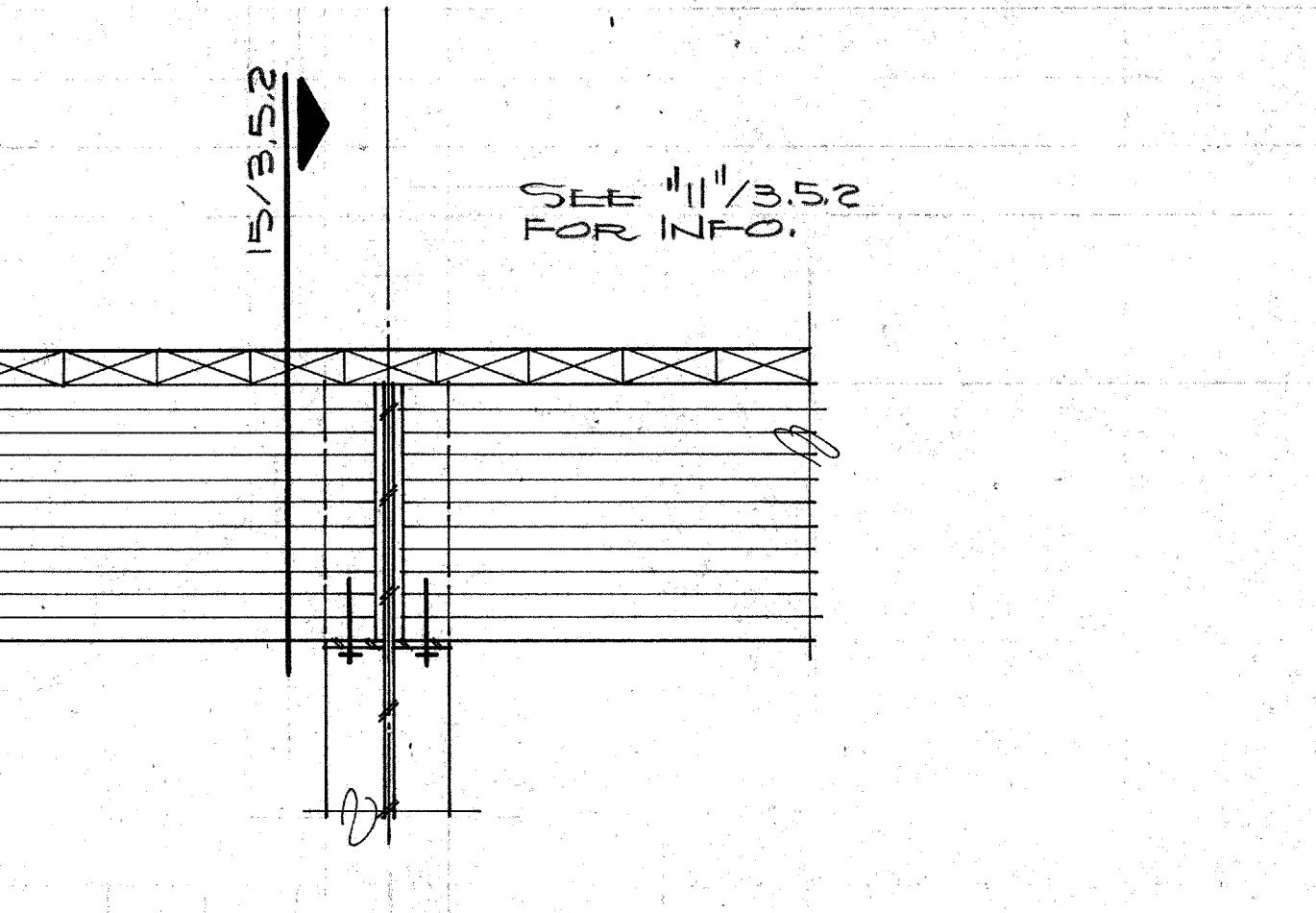
10 SECTION



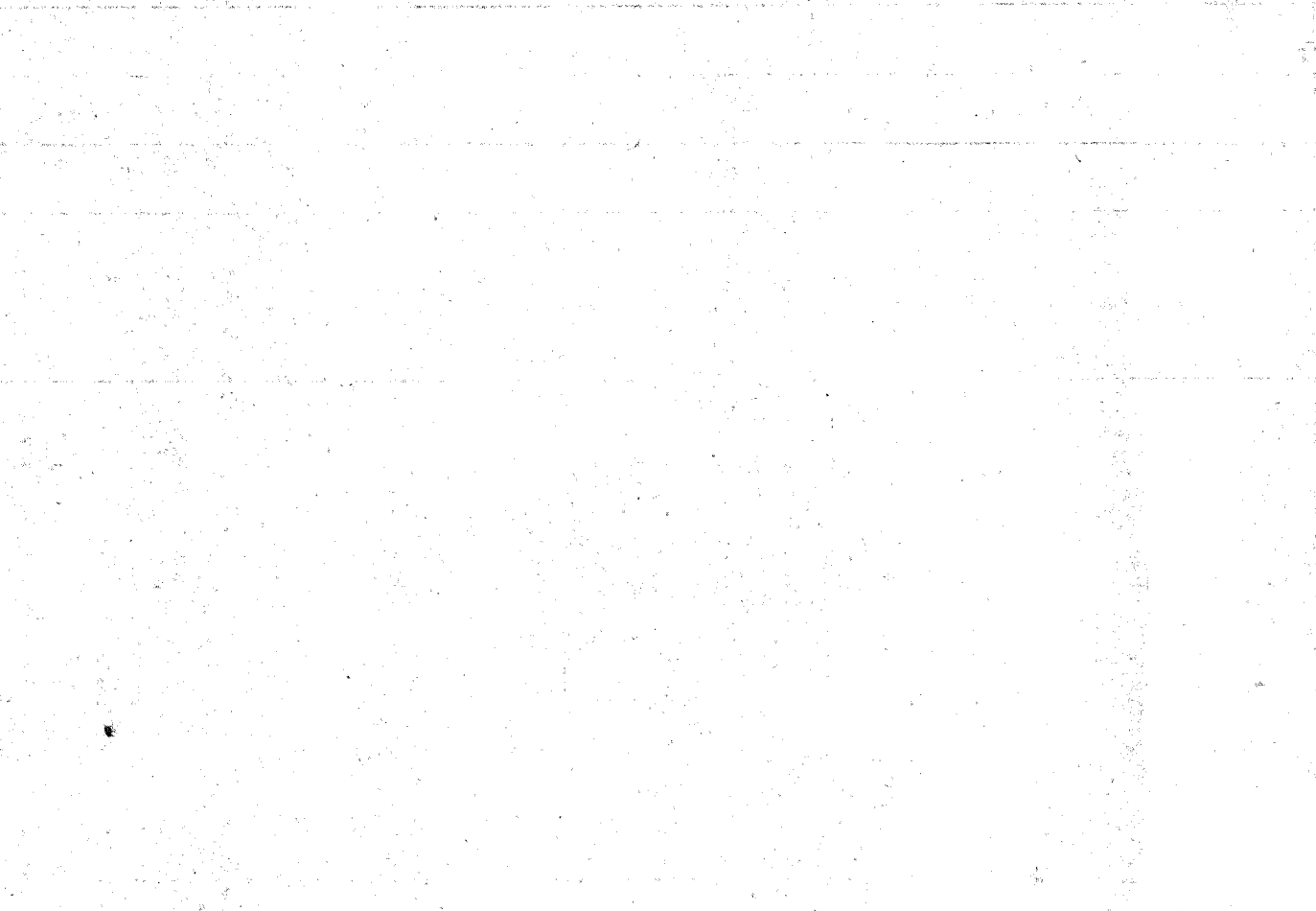
11 SECTION



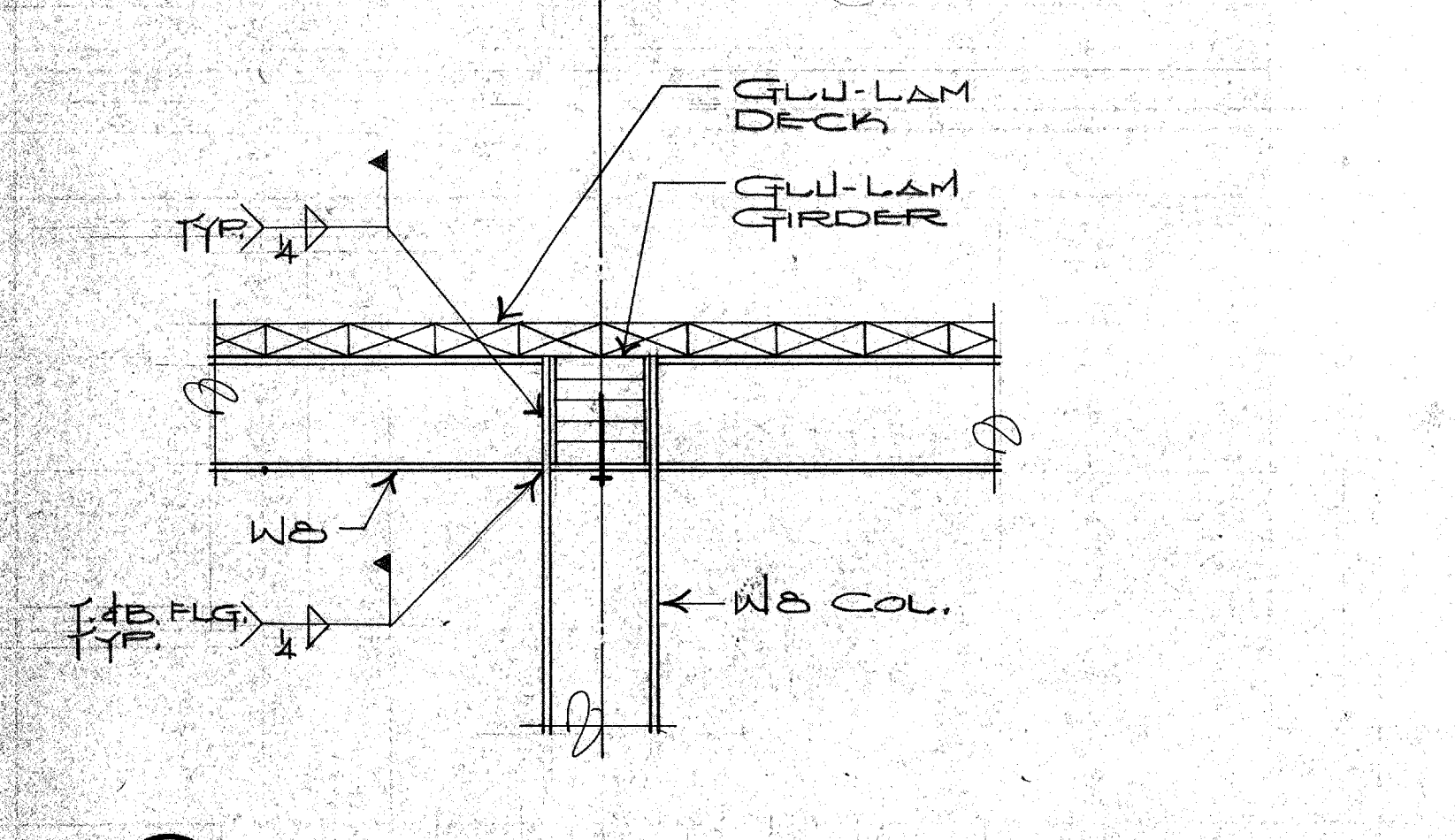
12 SECTION



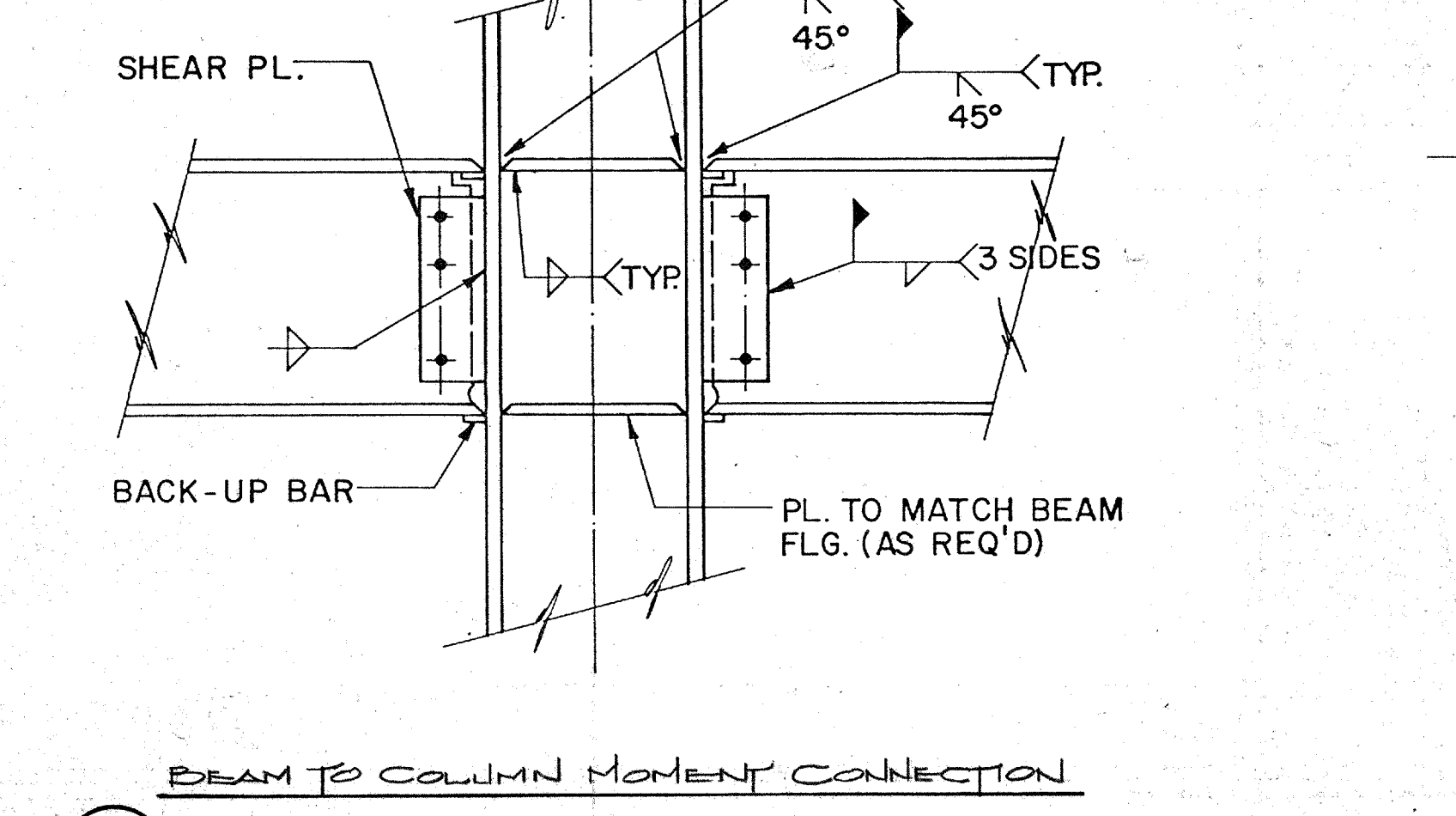
13 SECTION



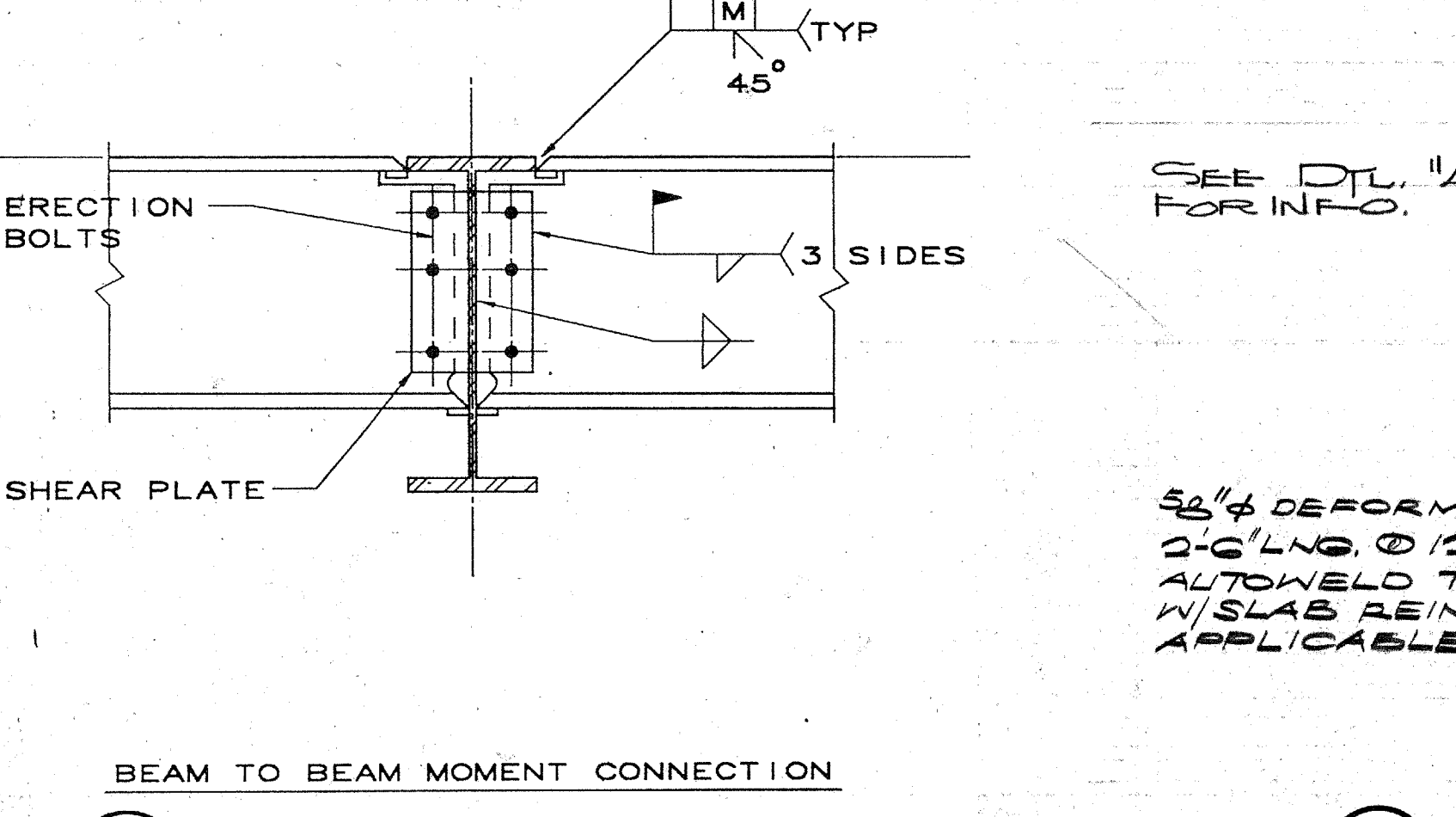
14 SECTION



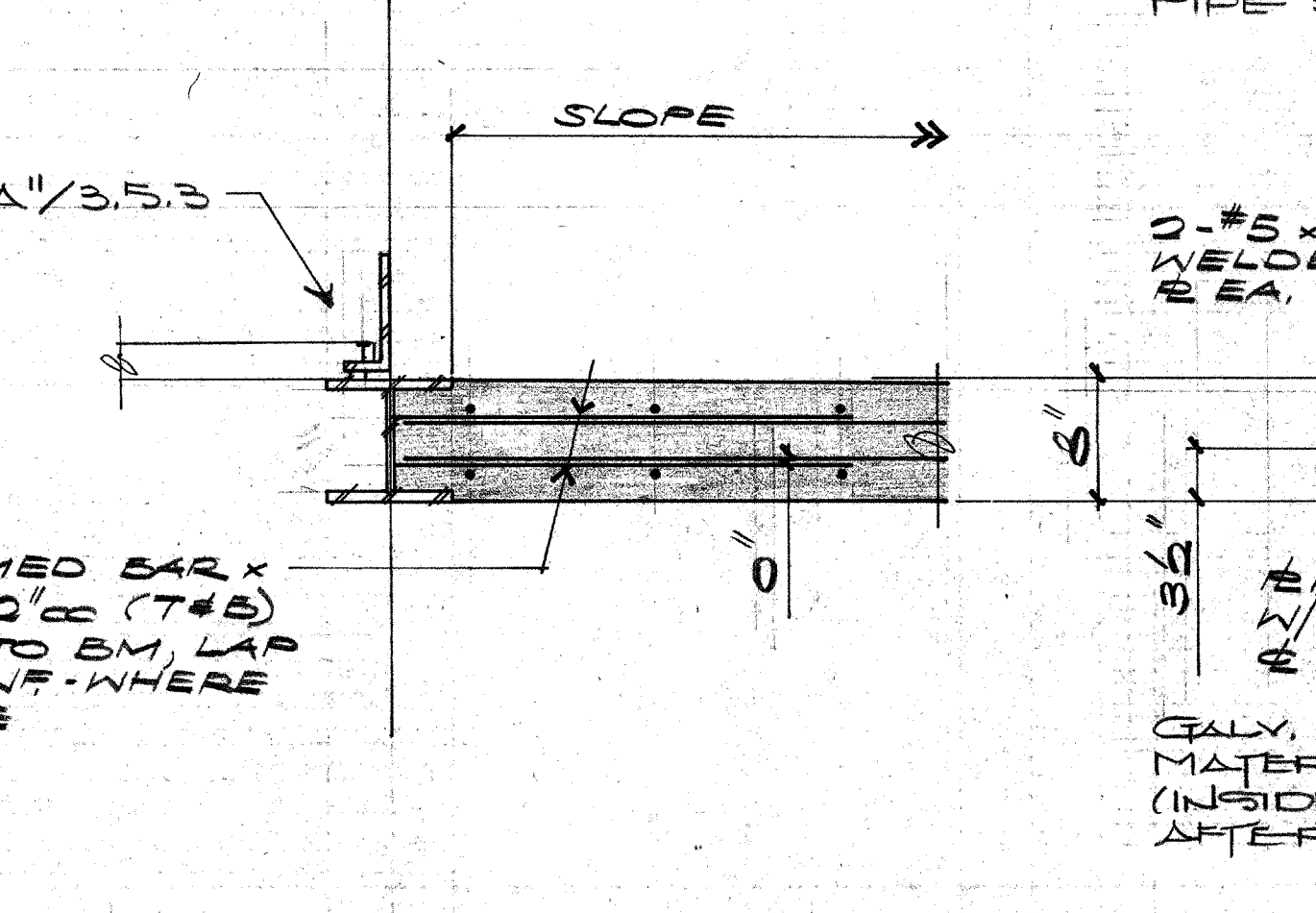
15 SECTION



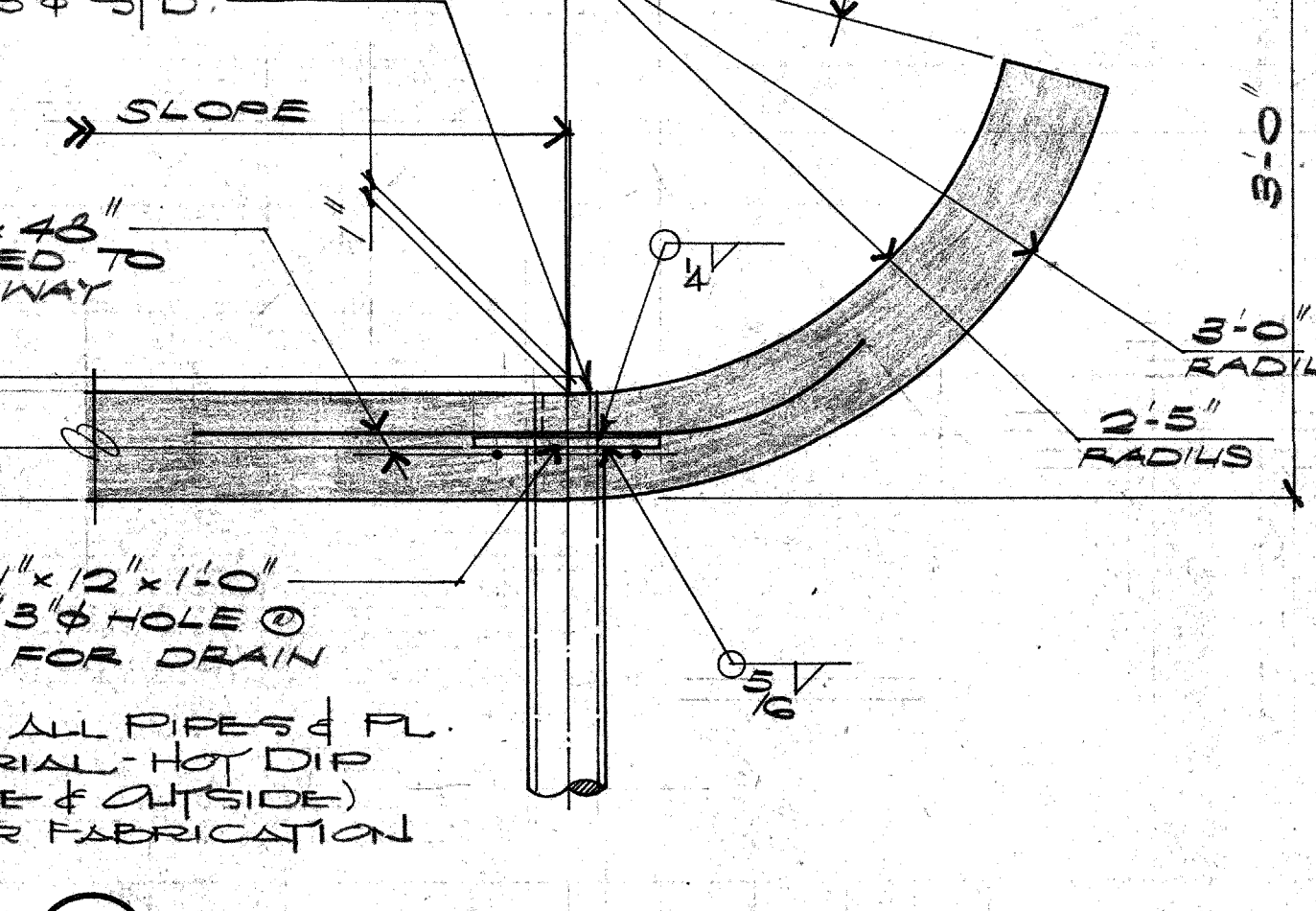
16 TYPICAL DETAIL



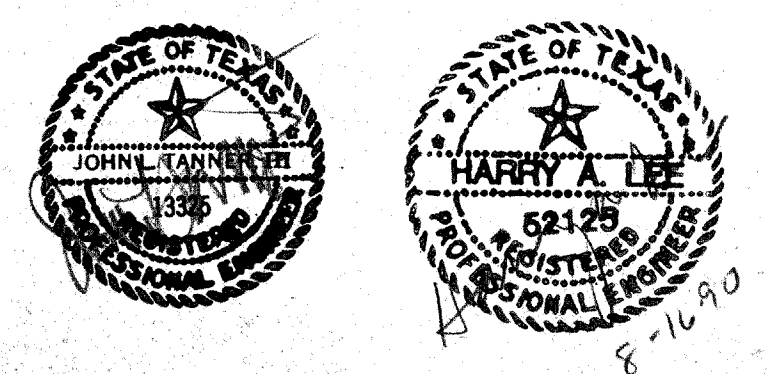
17 TYPICAL DETAIL



18 SECTION



19 SECTION



ACC ADDISON ACT

| | | | | | | | |
|---|--|---|--|--------------------------------|---------------|------------------|------------|
| OWNER The Kellams Group 317-776-9417 | LANDSCAPE The Kellams Group 24-387-8393 | STRUCTURAL Elisor Tanner 24-681-782 | HISTORIAN Alan Mason 24-681-782 | Issue ISSUE FOR BID 8-17-80 | Category 3 | Subcategory 5 | Sheet 2 |
| ARCHITECT Conalighan Architects 2700 Fairmount Dallas, Texas 75201 214-655-5272 | THEATRE CONSULTANT Theatre Projects 203-431-5949 214-655-5272 | M.E.P. MEP Systems 214-754-4741 | LIGHTING Panama Hill Wilson 214-823-6542 | | | | |
| | INTERIORS CRSS 713-552-2000 | CIVIL Kurtz & Associates 214-680-3322 | GRAPHICS Notstad Design 214-954-1978 | | | | |