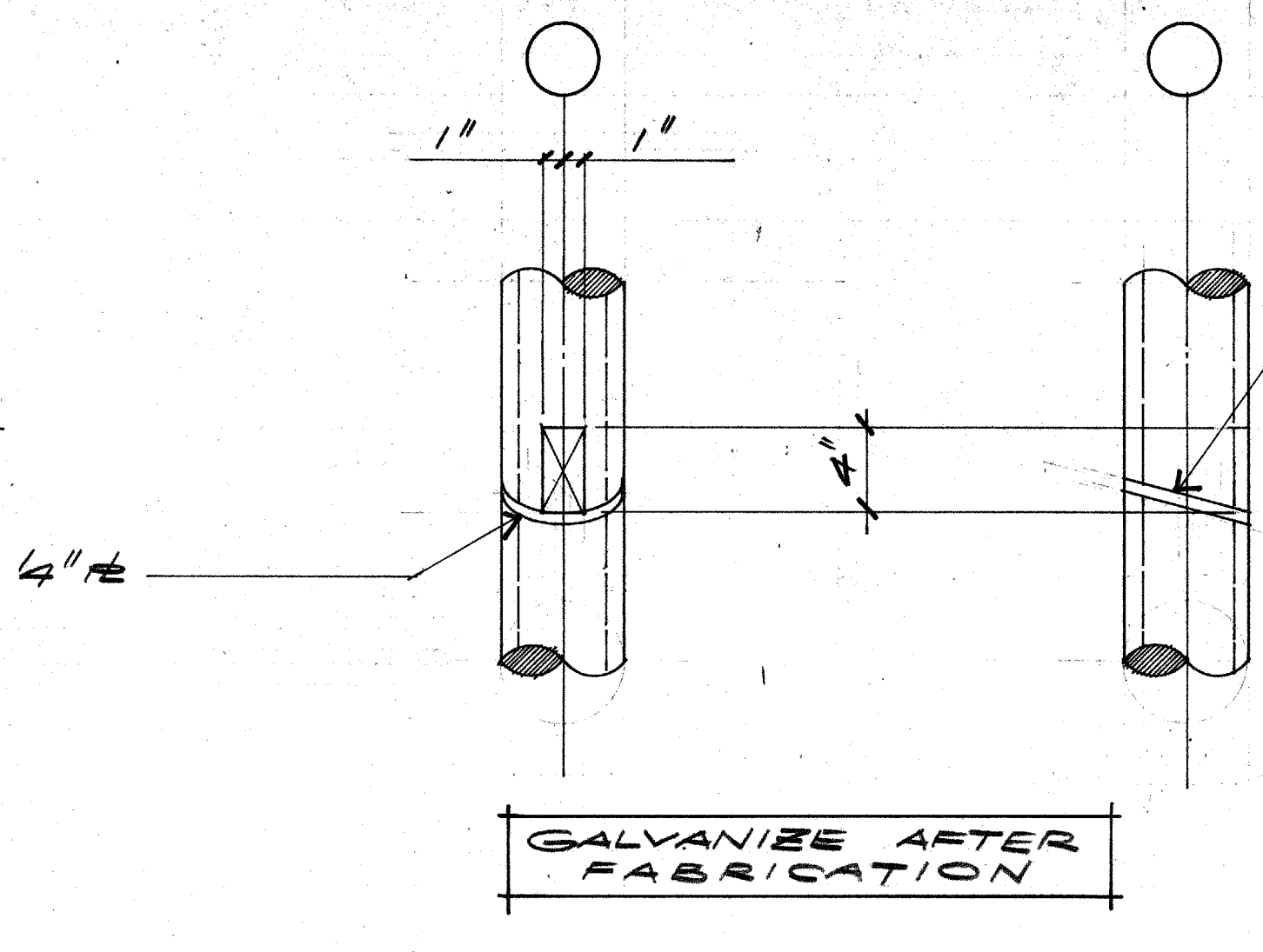
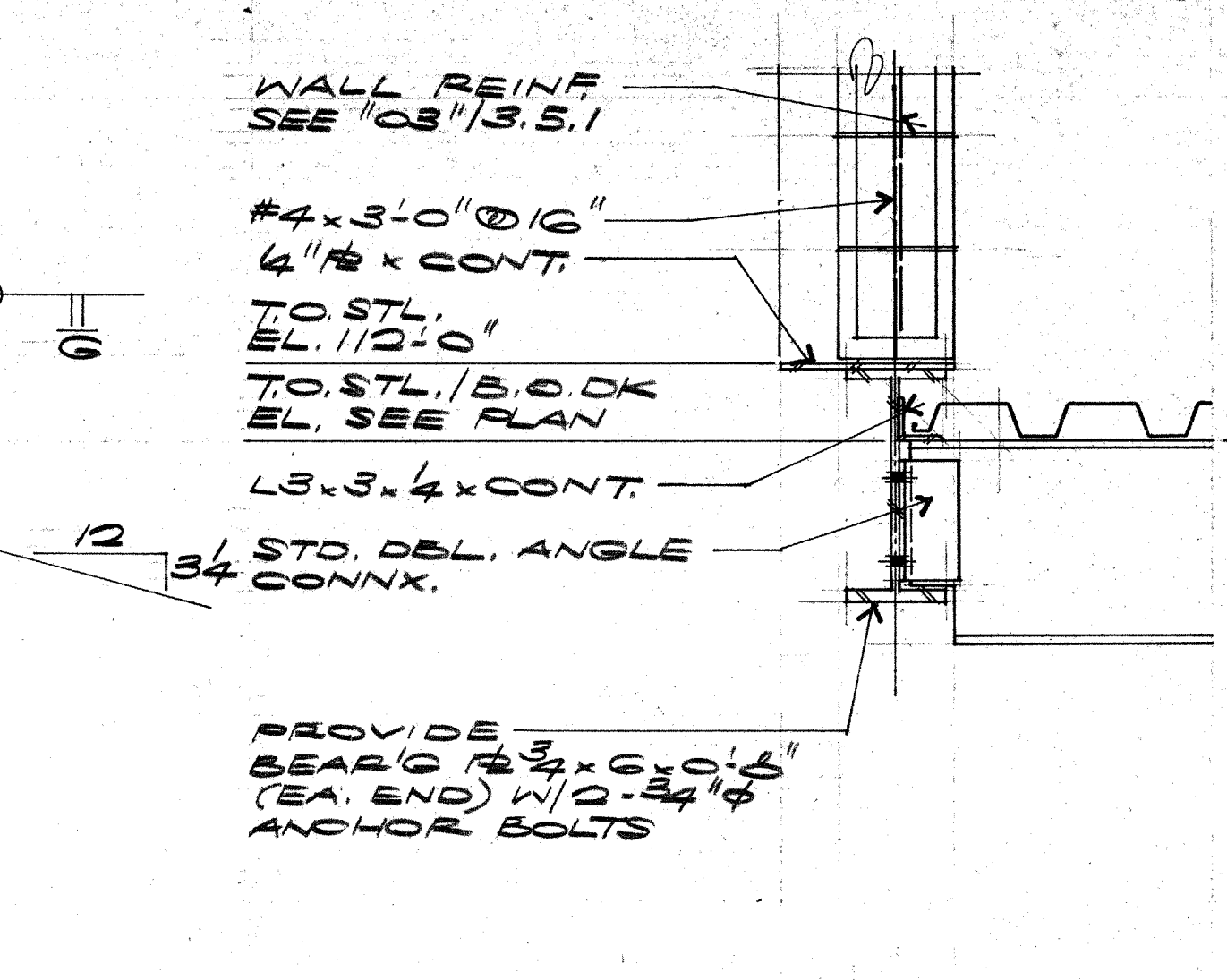


01 SECTION

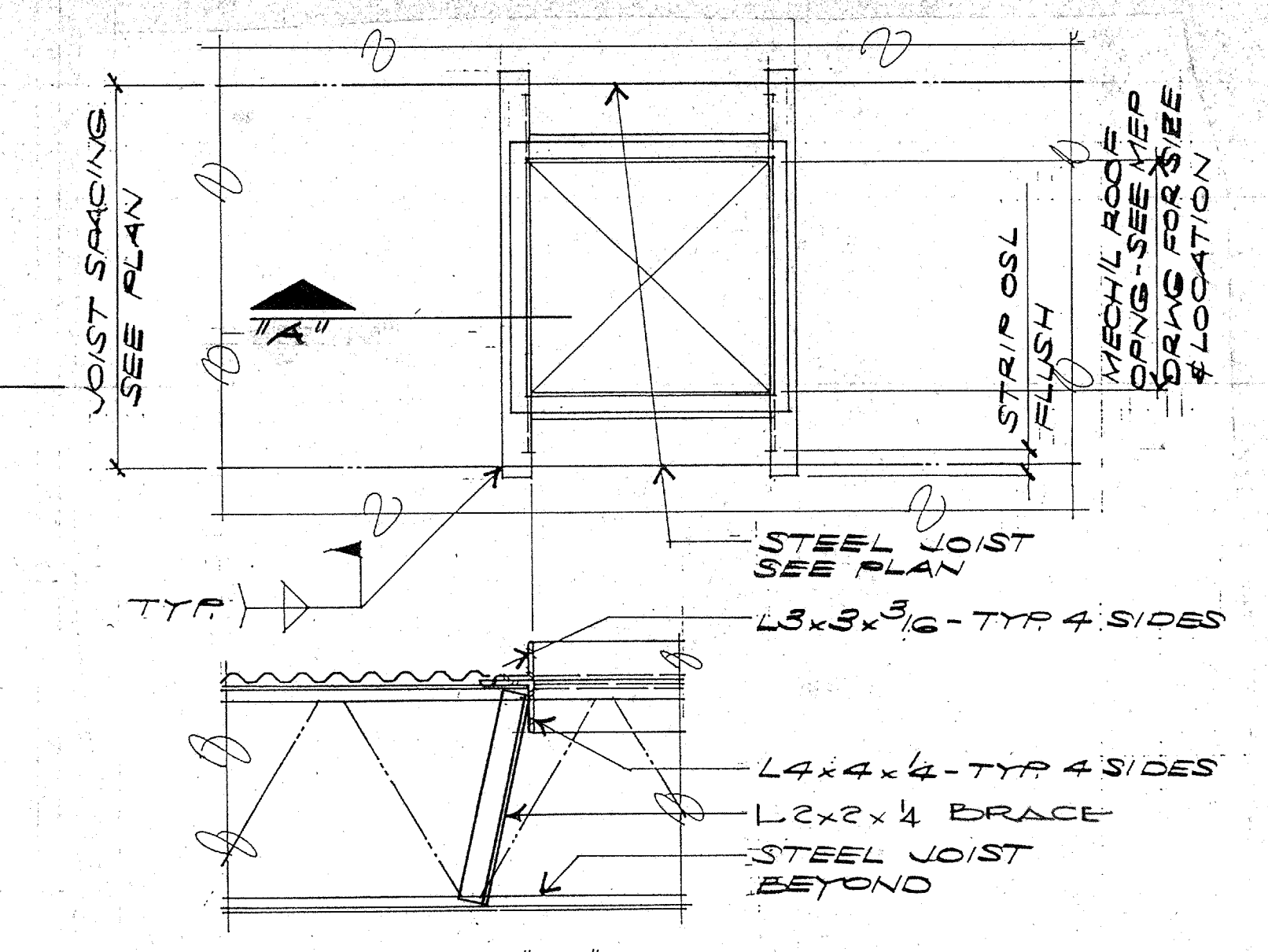
02 SECTION



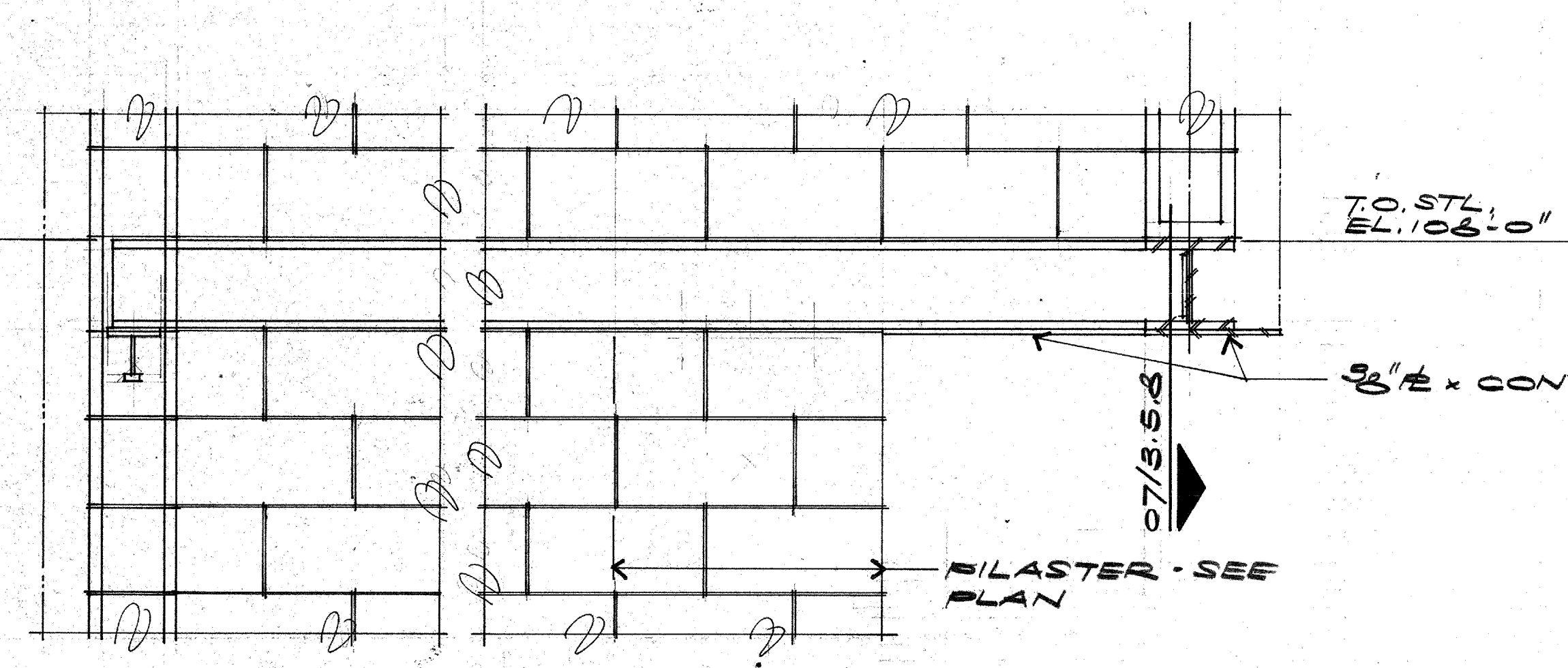
03 DETAIL



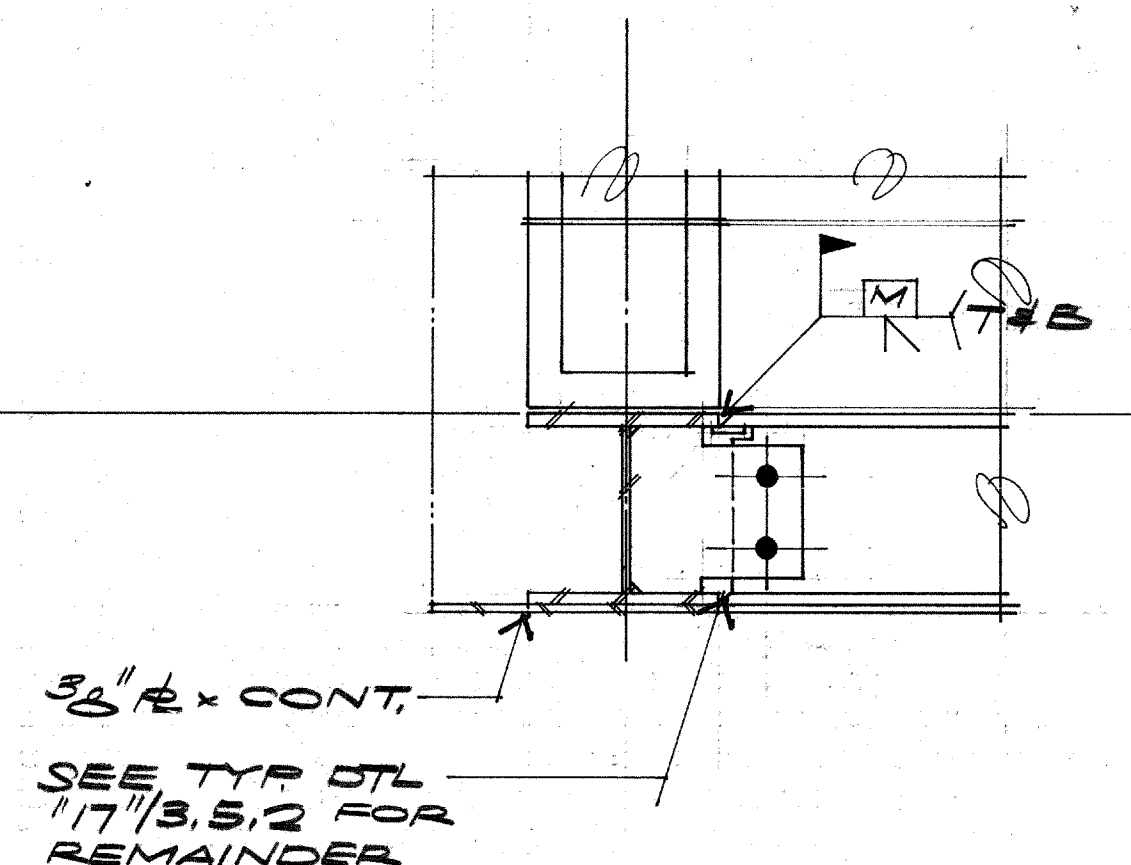
04 SECTION



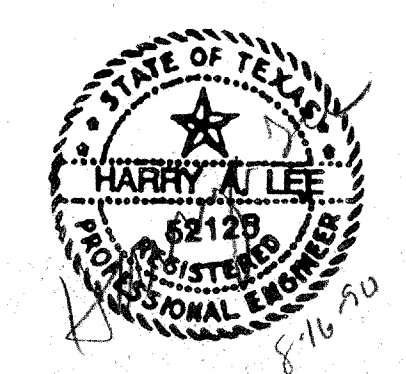
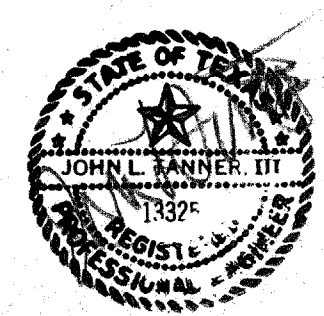
SECTION "A"
ROOF OPENING DETAIL
05 TYPICAL DETAIL



06 SECTION



07 SECTION



ACC ADDISON ACT

OWNER	LANDSCAPE	STRUCTURAL	HISTORIAN	Issue	Category	Subcategory	Sheet
Town of Addison	The Kellams Group 317-776-1417	Elisor Tanner 214-387-8393	Alan Mason 214-691-782	ISSUE FOR BID 8-17-90	3	5	8
ARCHITECT	THEATRE CONSULTANT	M.E.P.	LIGHTING				
Cunningham Architects 2700 Fairmount Dallas, Texas 75201 214-855-5272	Theatre Projects 203-431-3943	MEP Systems 214-754-4741	Pamela Hull Wilson 214-823-6542				
	INTERIORS	CIVIL	GRAPHICS				
	CRSS 713-652-2000	Kurtz & Associates 214-690-3322	Notestad Design 214-954-9378				