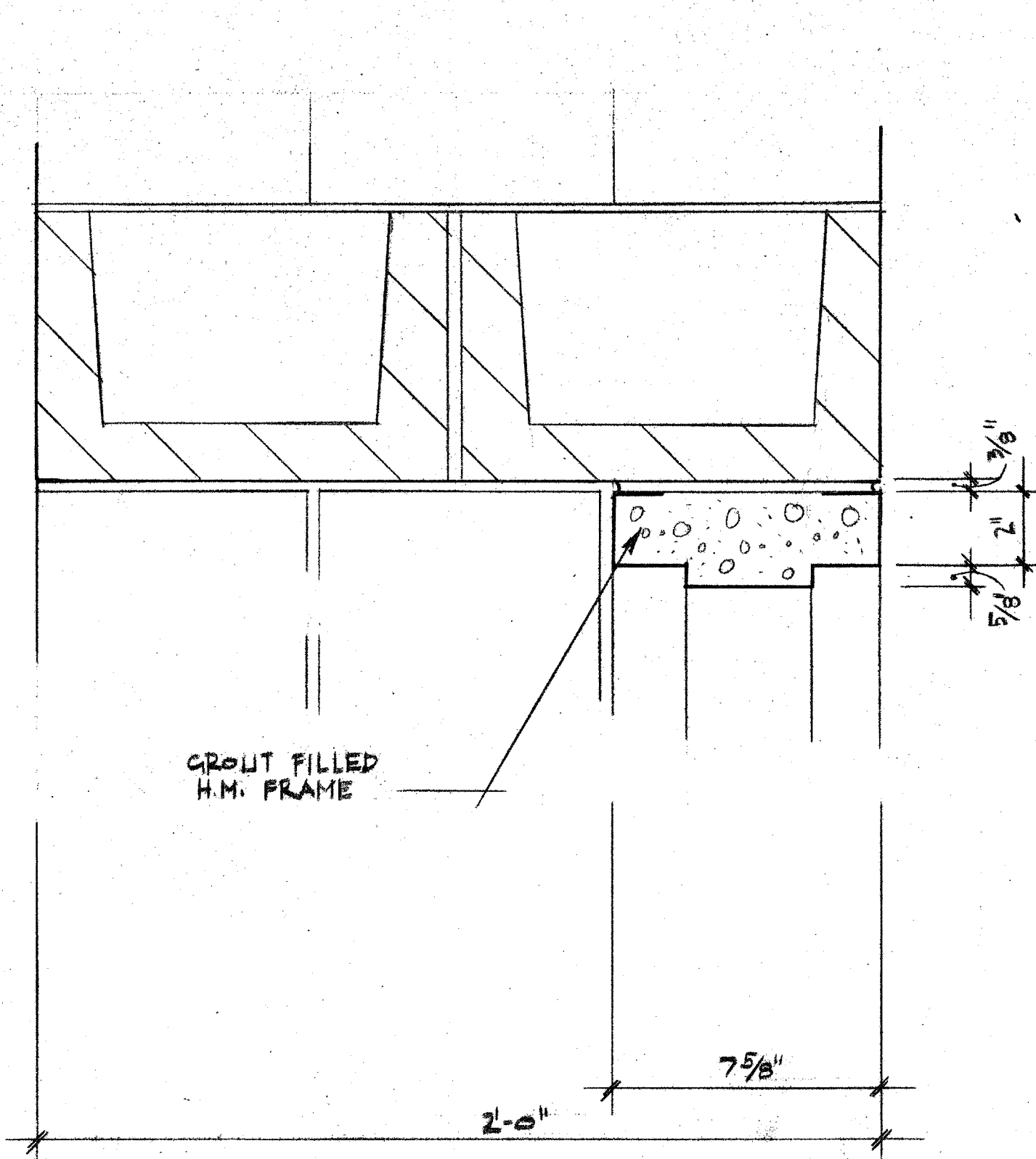
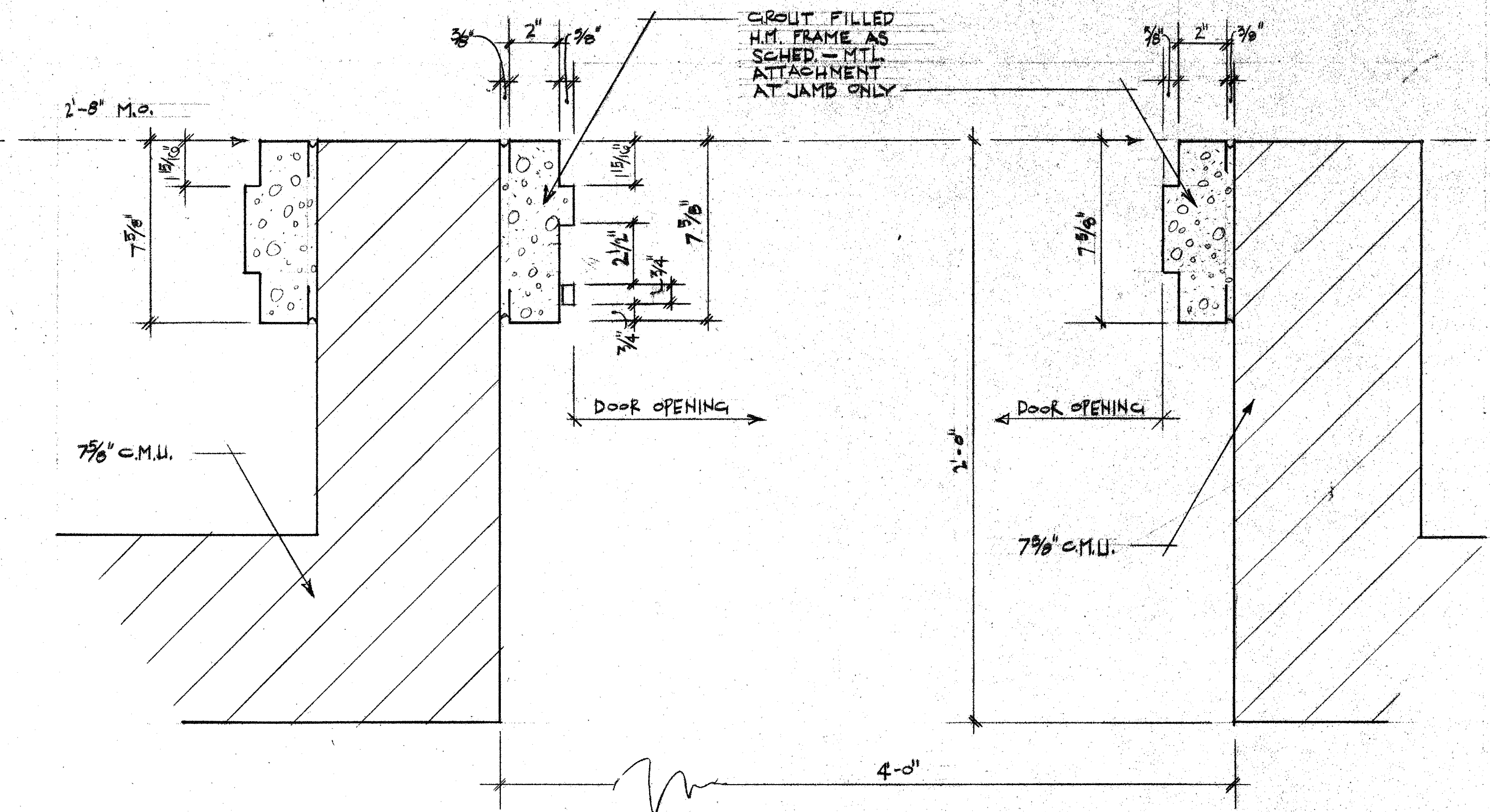


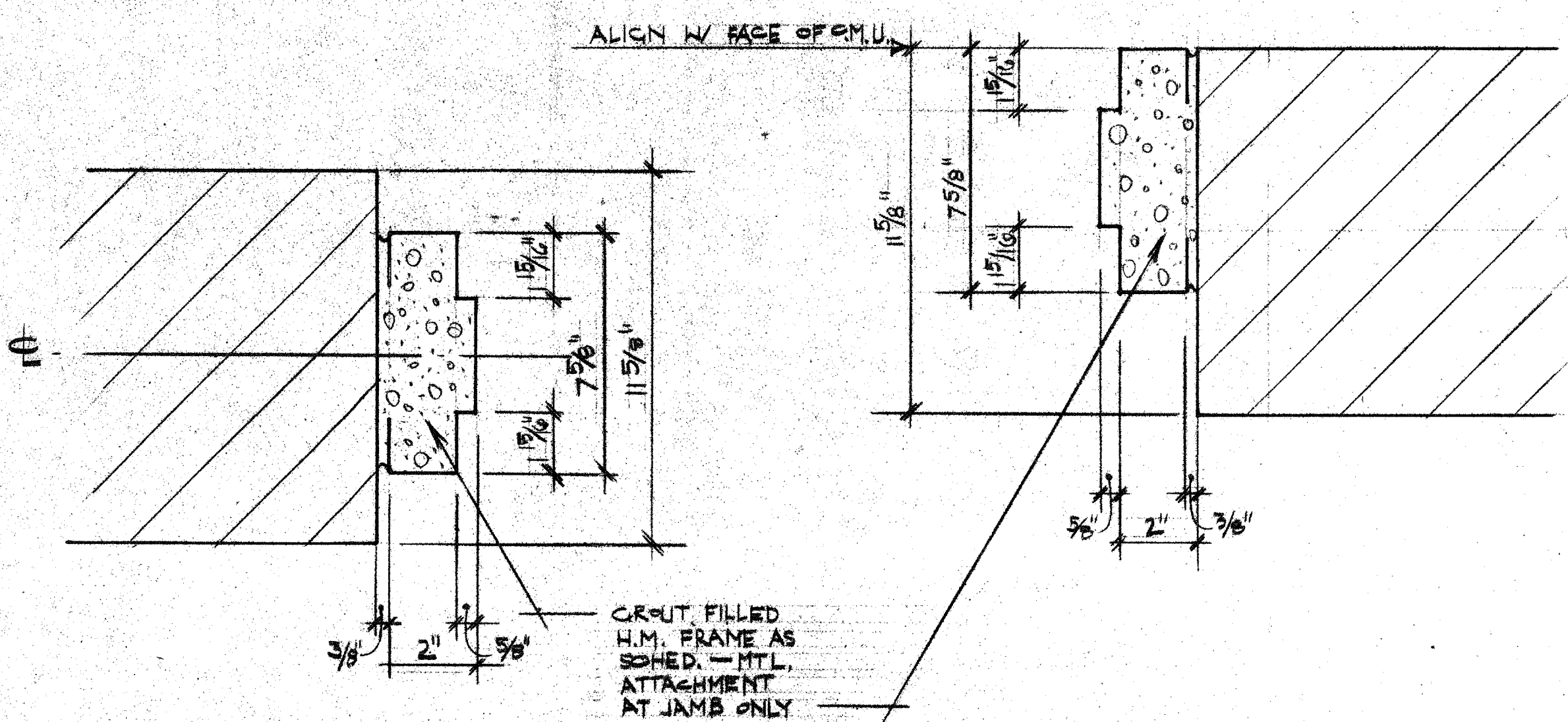
21 JAMB



25 HEAD

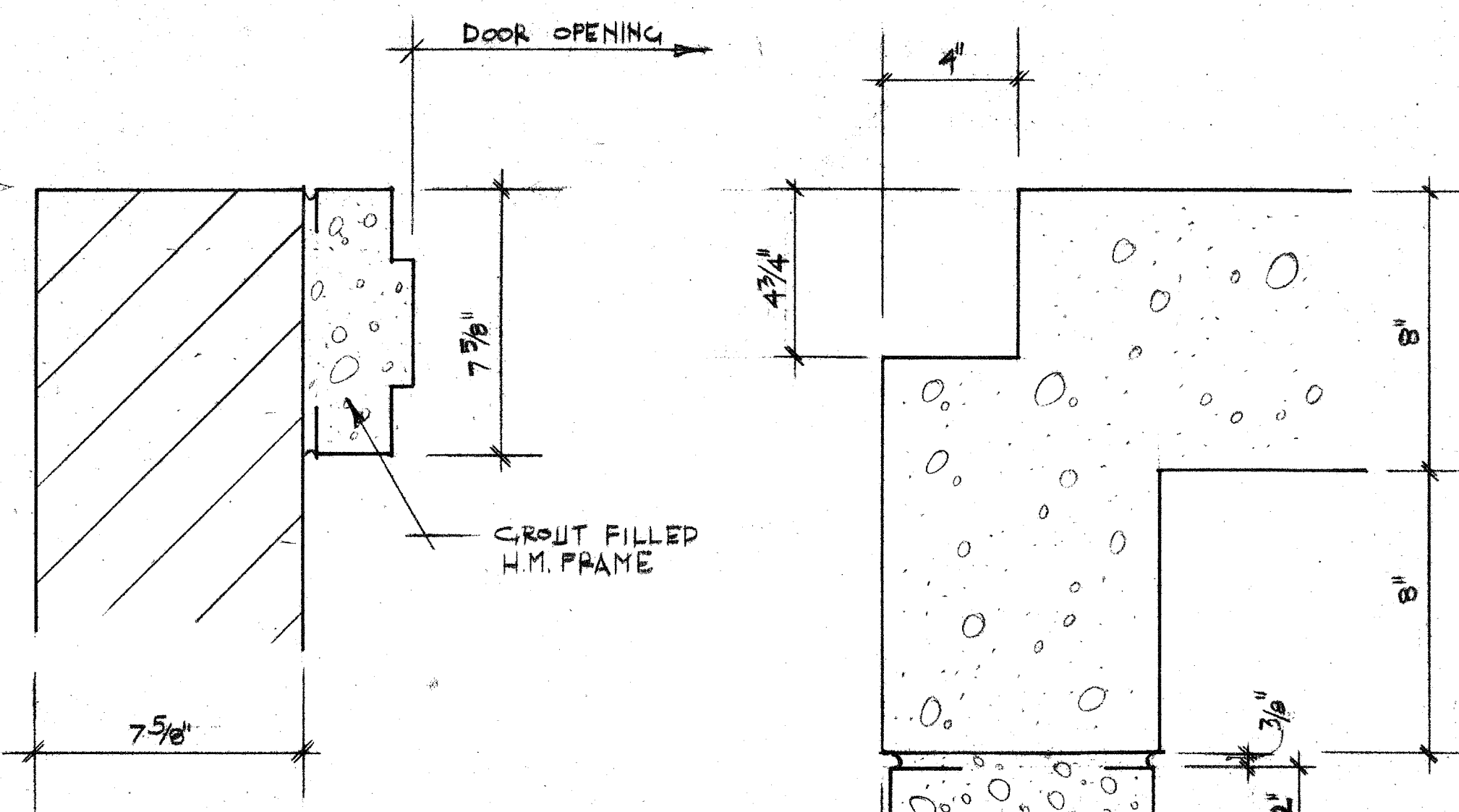


29 JAMB

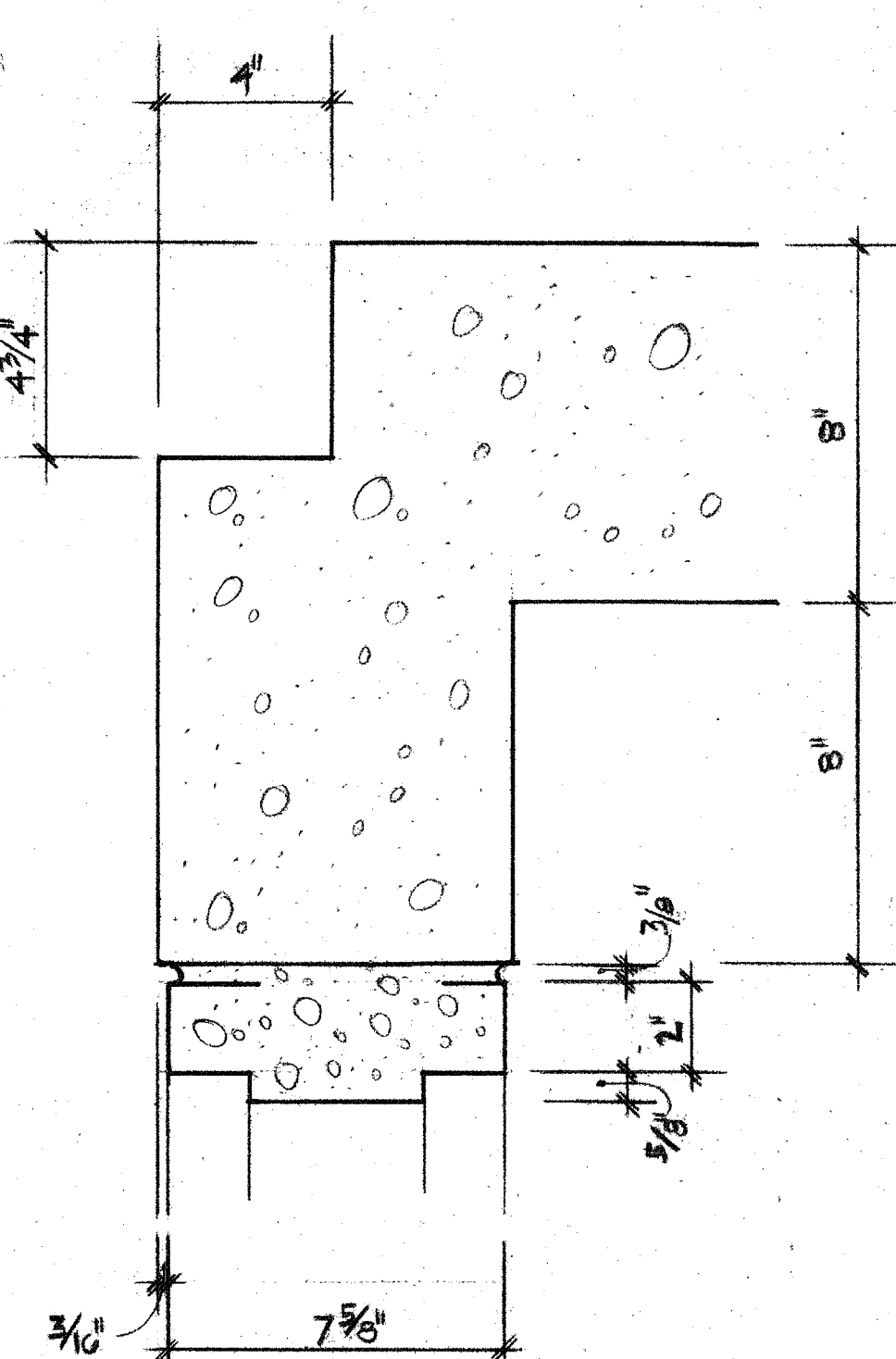


22 JAMB / HEAD

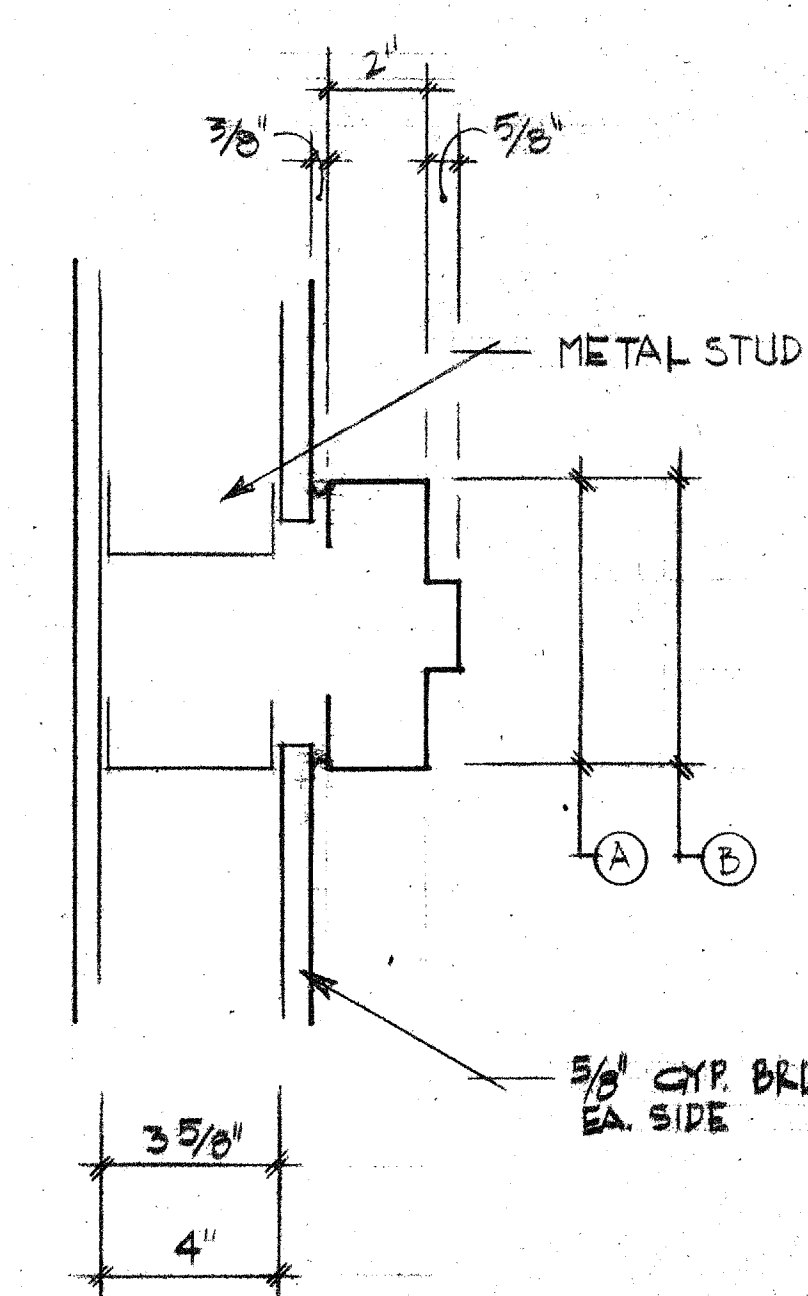
23 JAMB / HEAD



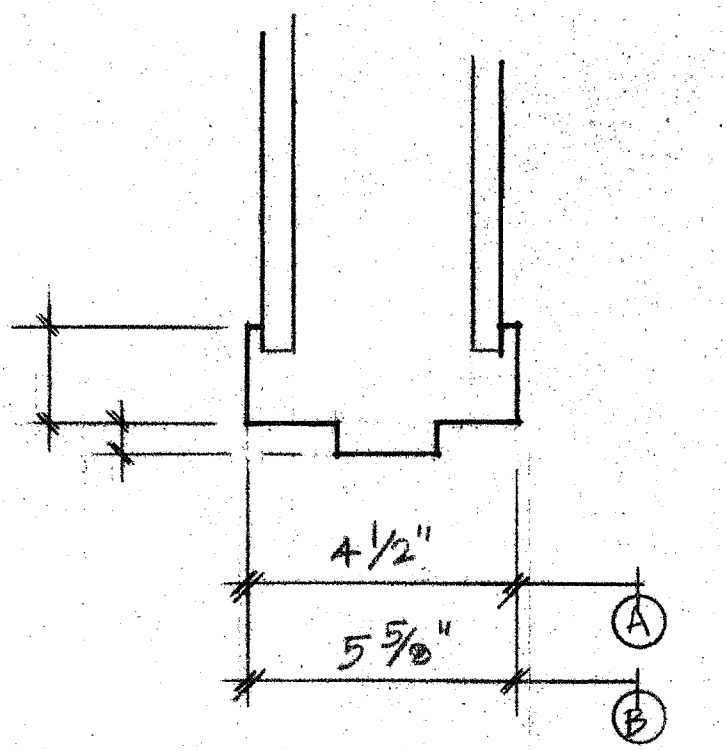
26 JAMB



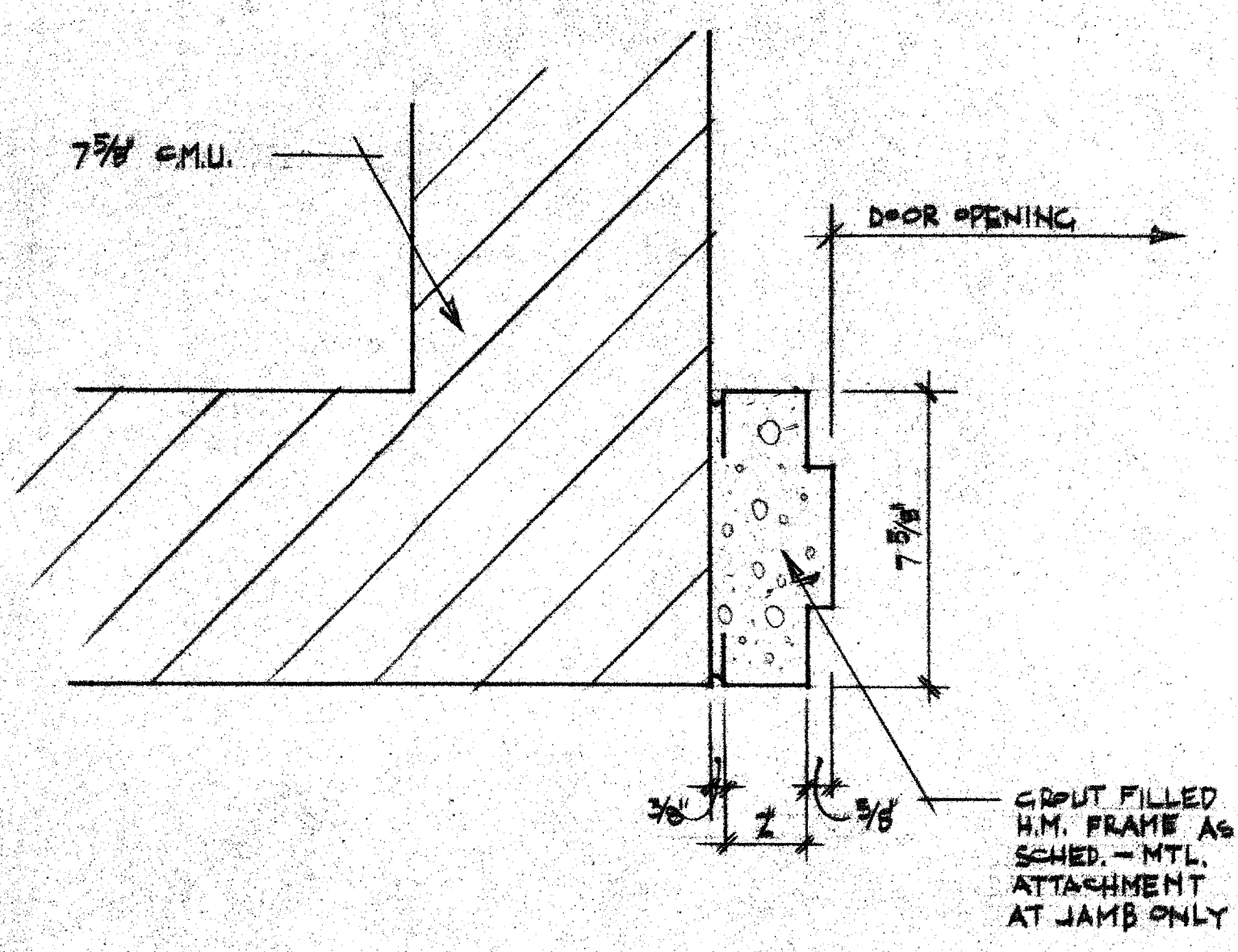
28 HEAD



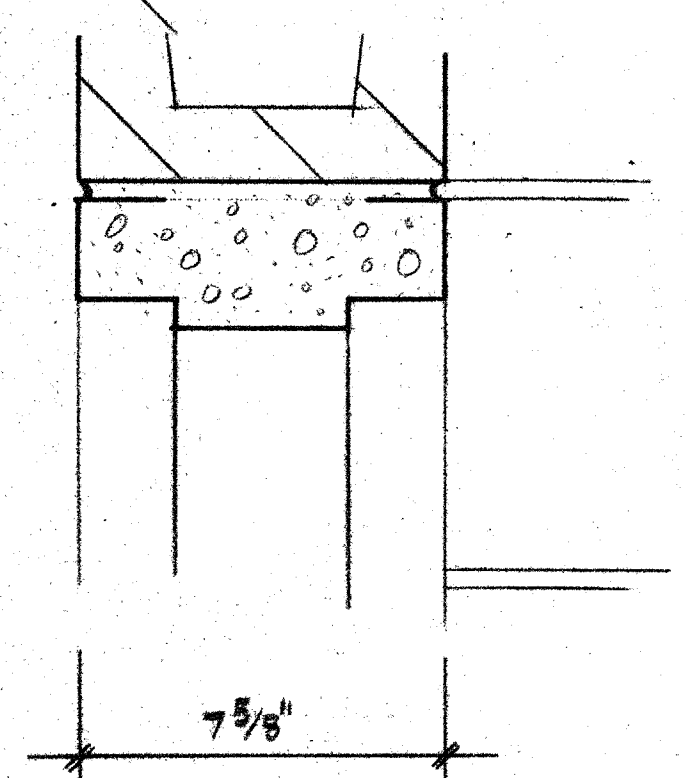
30 JAMB



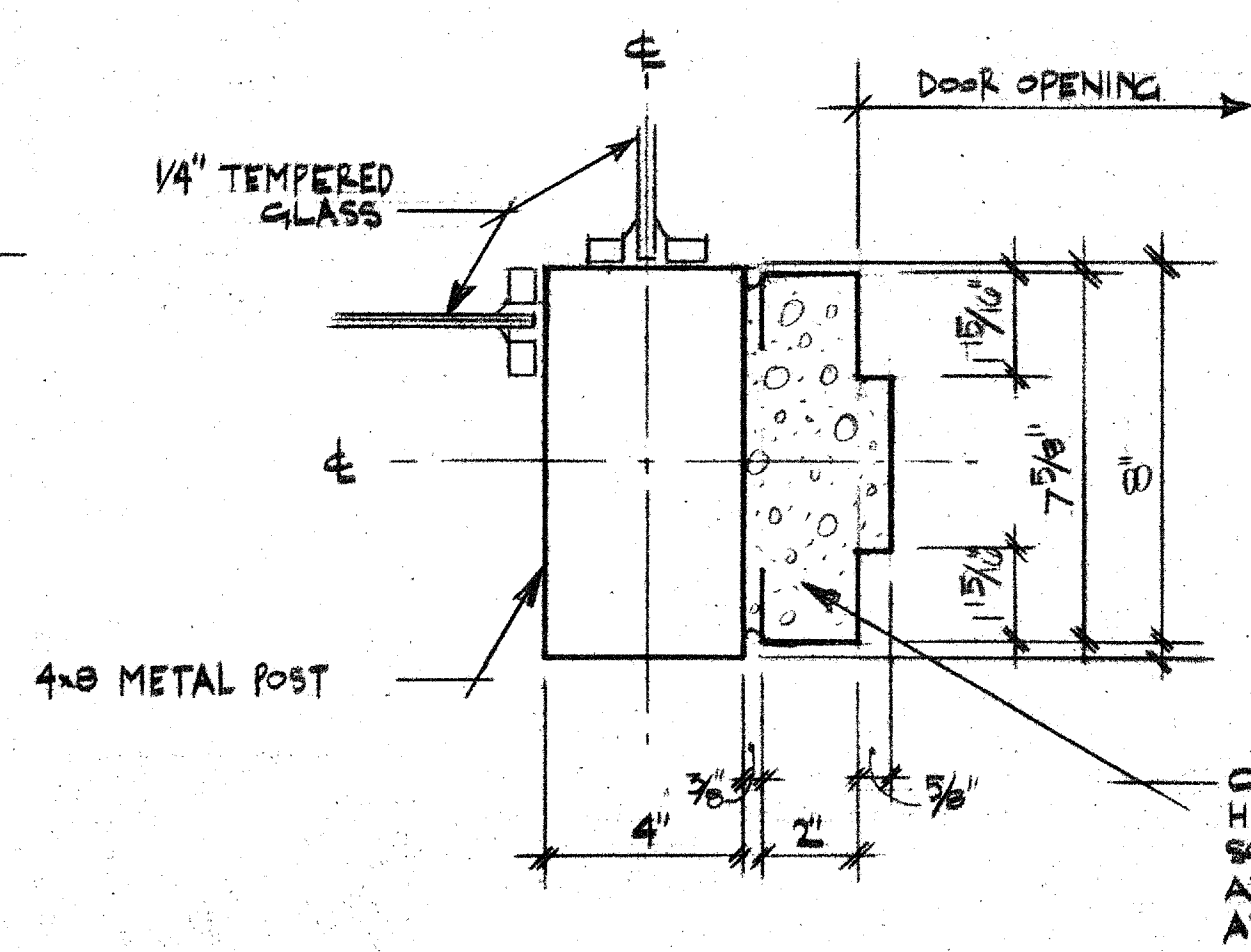
31 HEAD



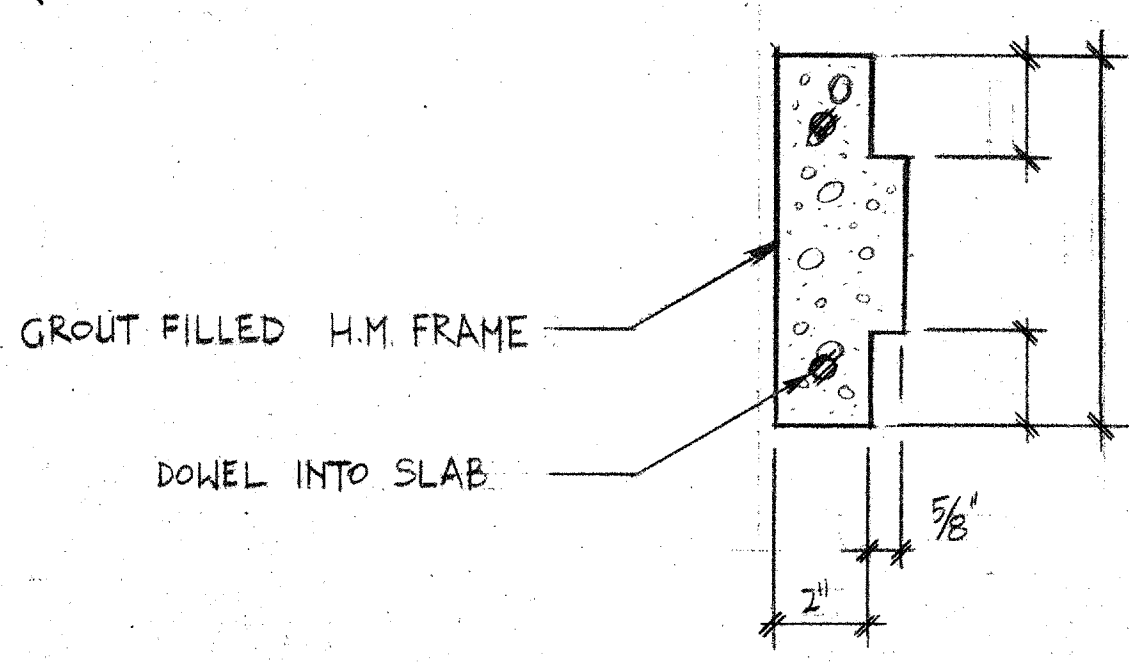
22 JAMB



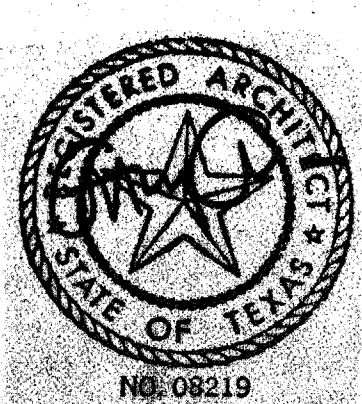
24 HEAD



27 JAMB



32 JAMB



ACC ADDISON ACT

OWNER	LANDSCAPE	STRUCTURAL	HISTORIAN	Issue	Category	Subcategory	Sheet
Town of Addison The Kallins Group 301-716-1417	THEATRE CONSULTANT Theatre Projects 2023-431-3943 214-855-5272	M.E.P. MEP Systems 214-754-4741	Elison Tanner 214-681-7822 Famula Hill Wilson 214-823-6542	ISSUE FOR BID 8-17-90	4	1	6
ARCHITECT Cunningham Architects 2700 Fairmount Dallas, Texas 75201 214-855-5272	INTERIORS CRSS 713-522-2000	CIVIL Kurtz & Associates 214-694-3322	GRAPHICS Mottusford Design 214-654-9378				