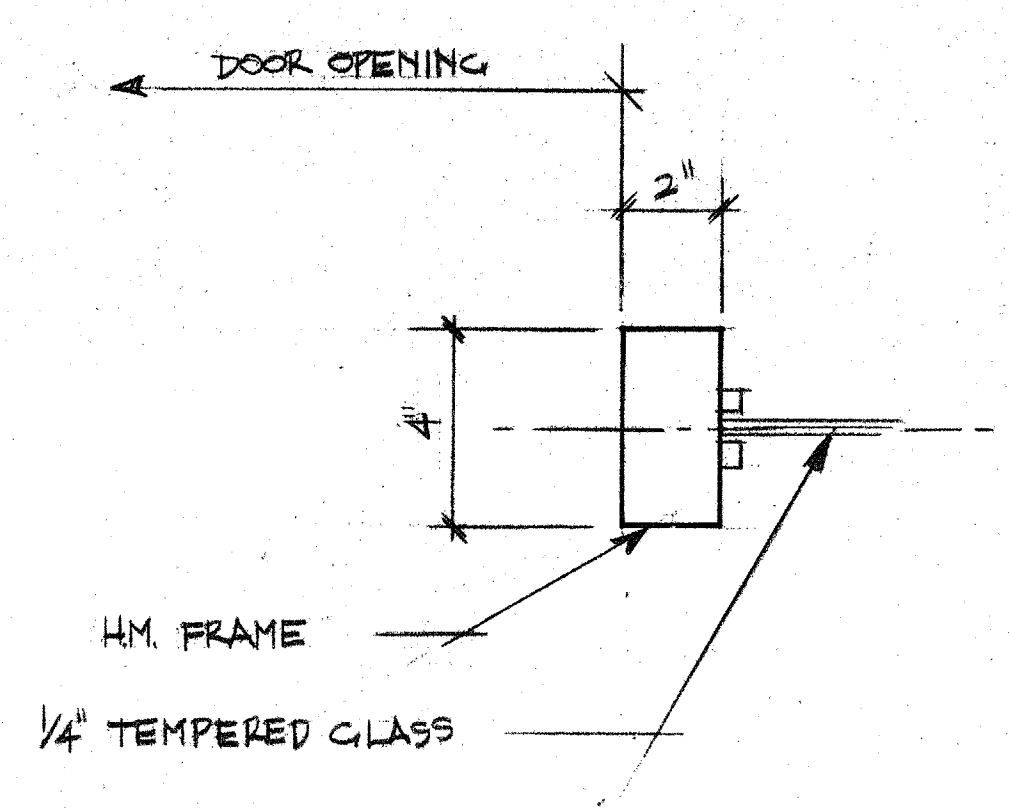
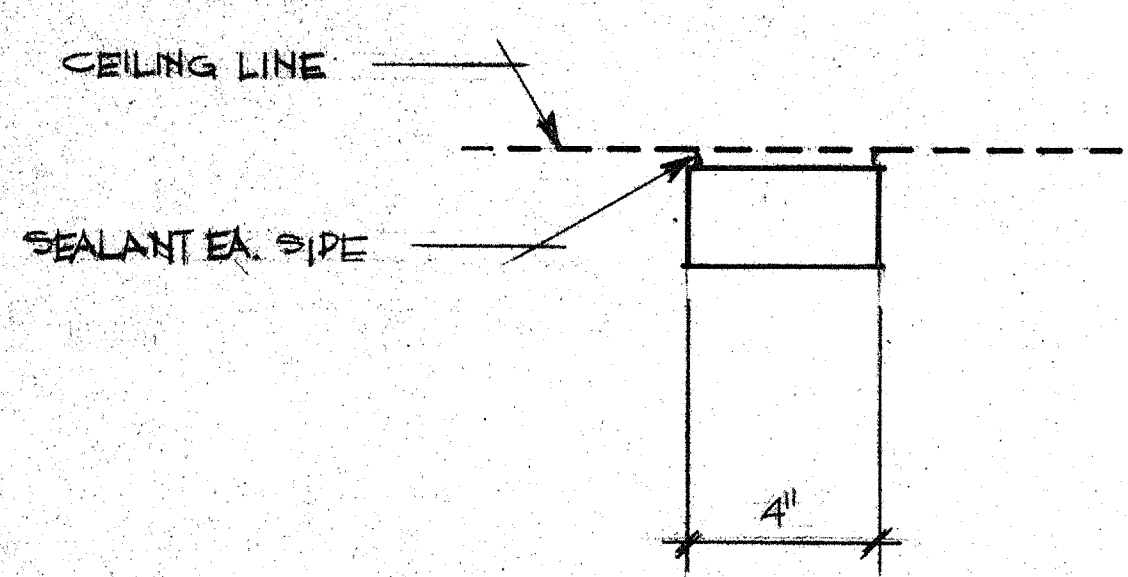
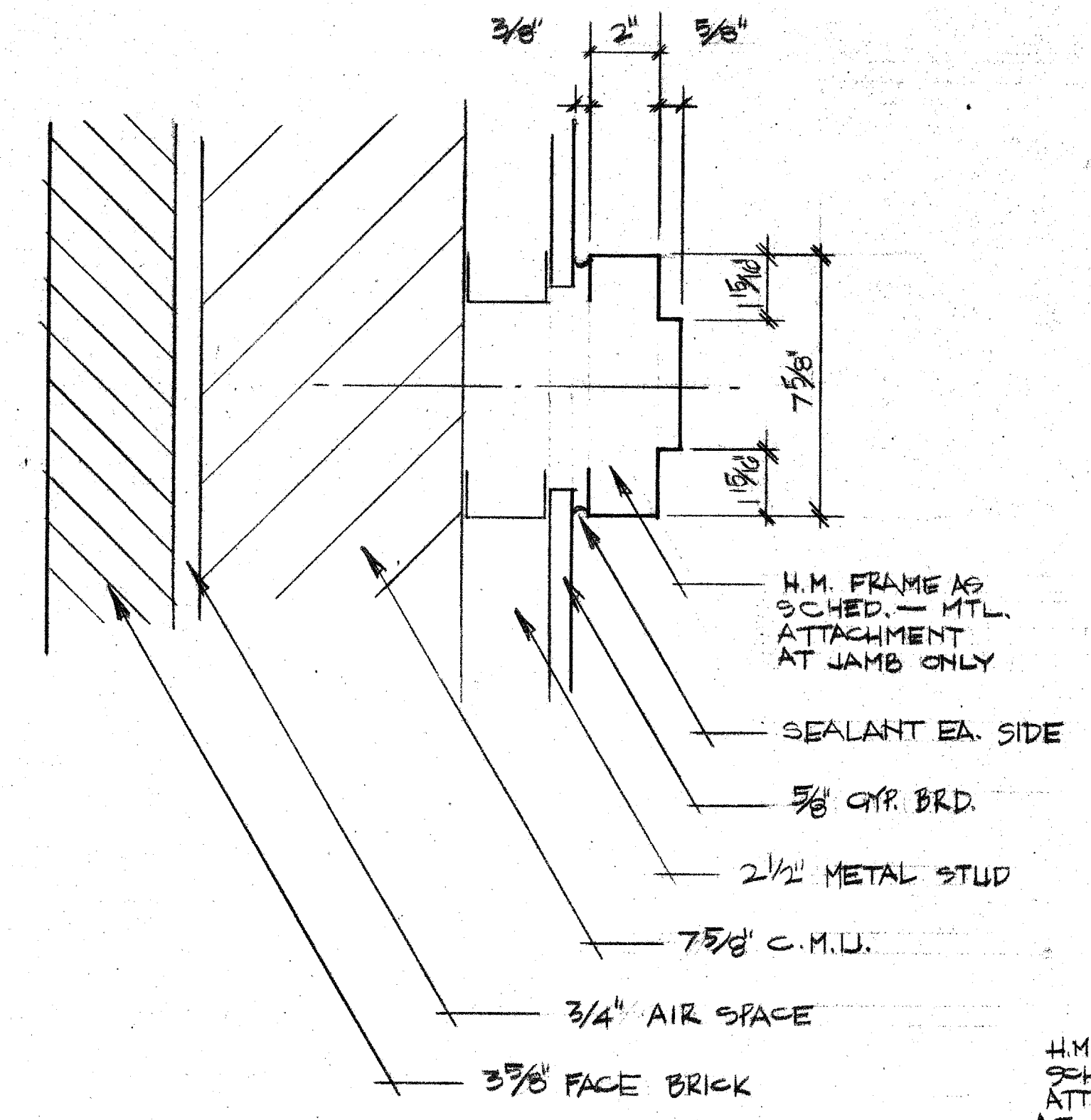


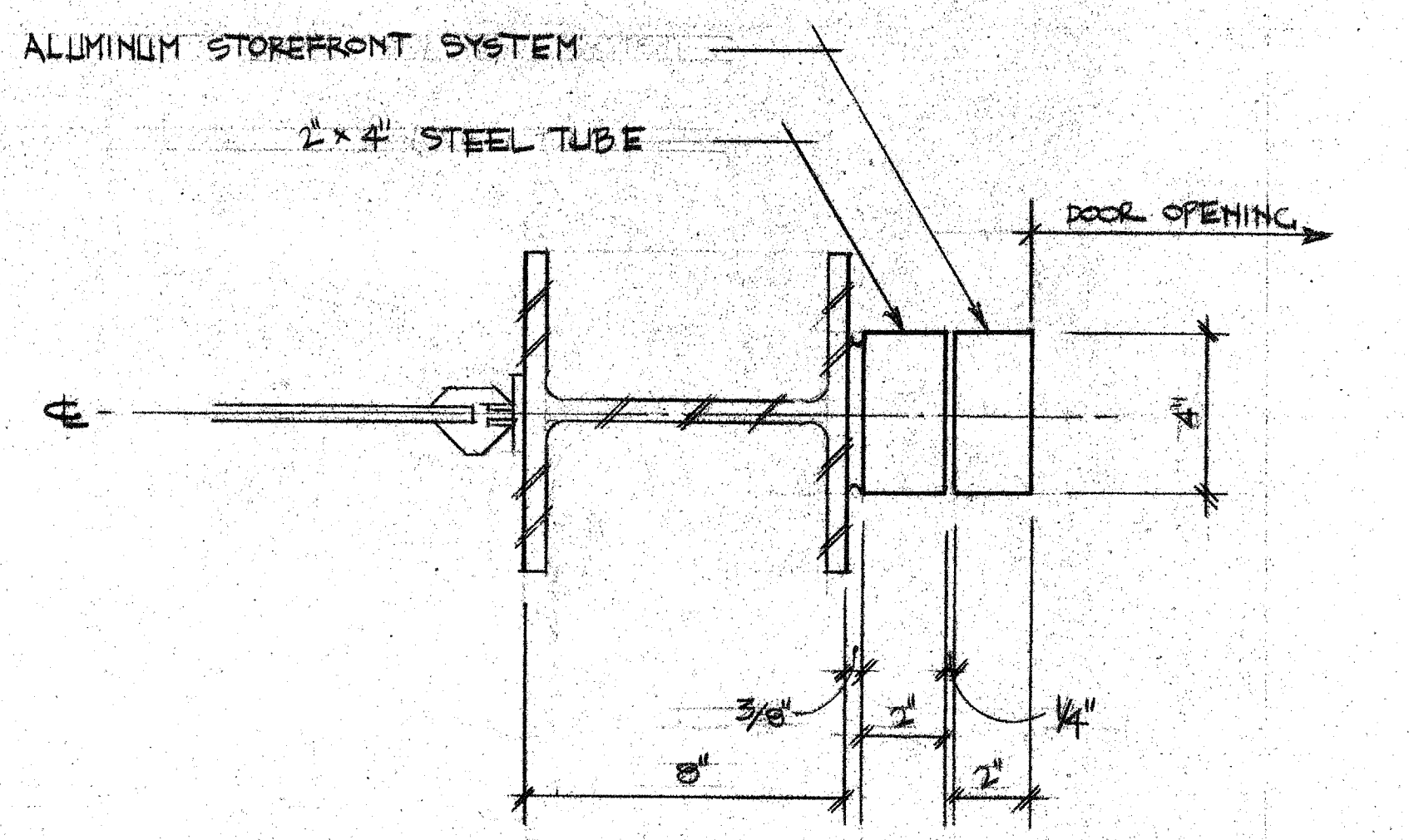
42 HEAD



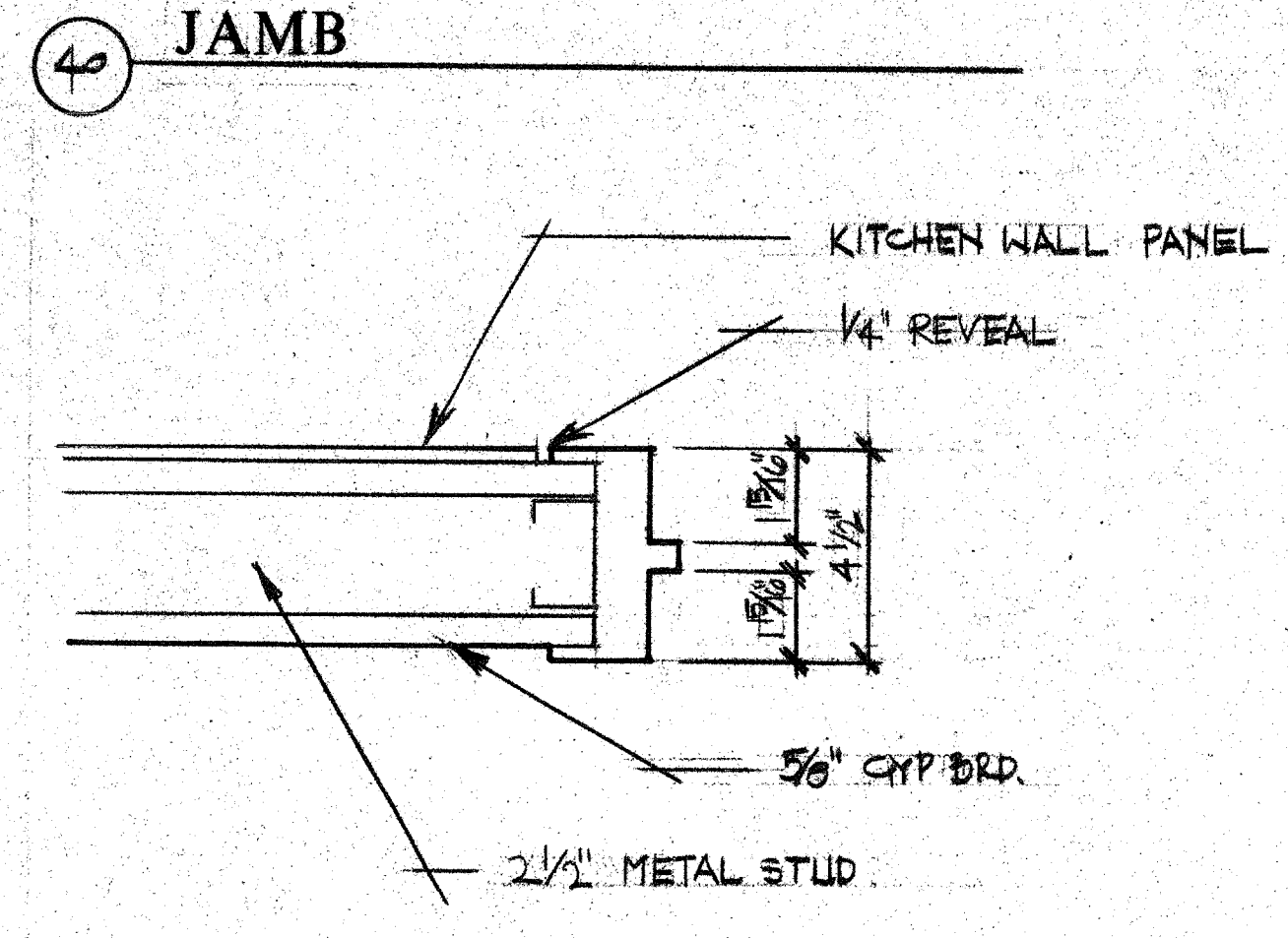
44 JAMB



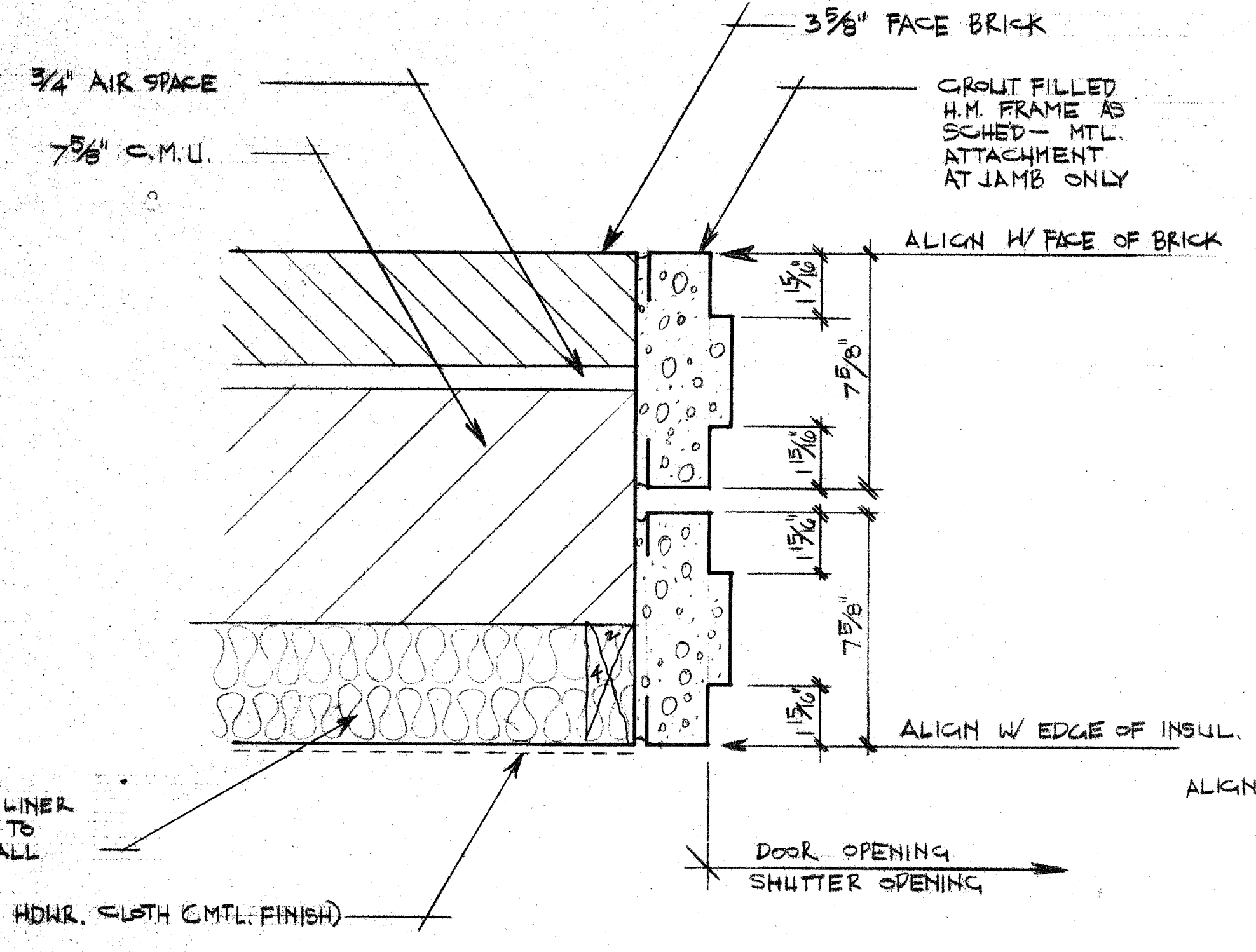
46 JAMB



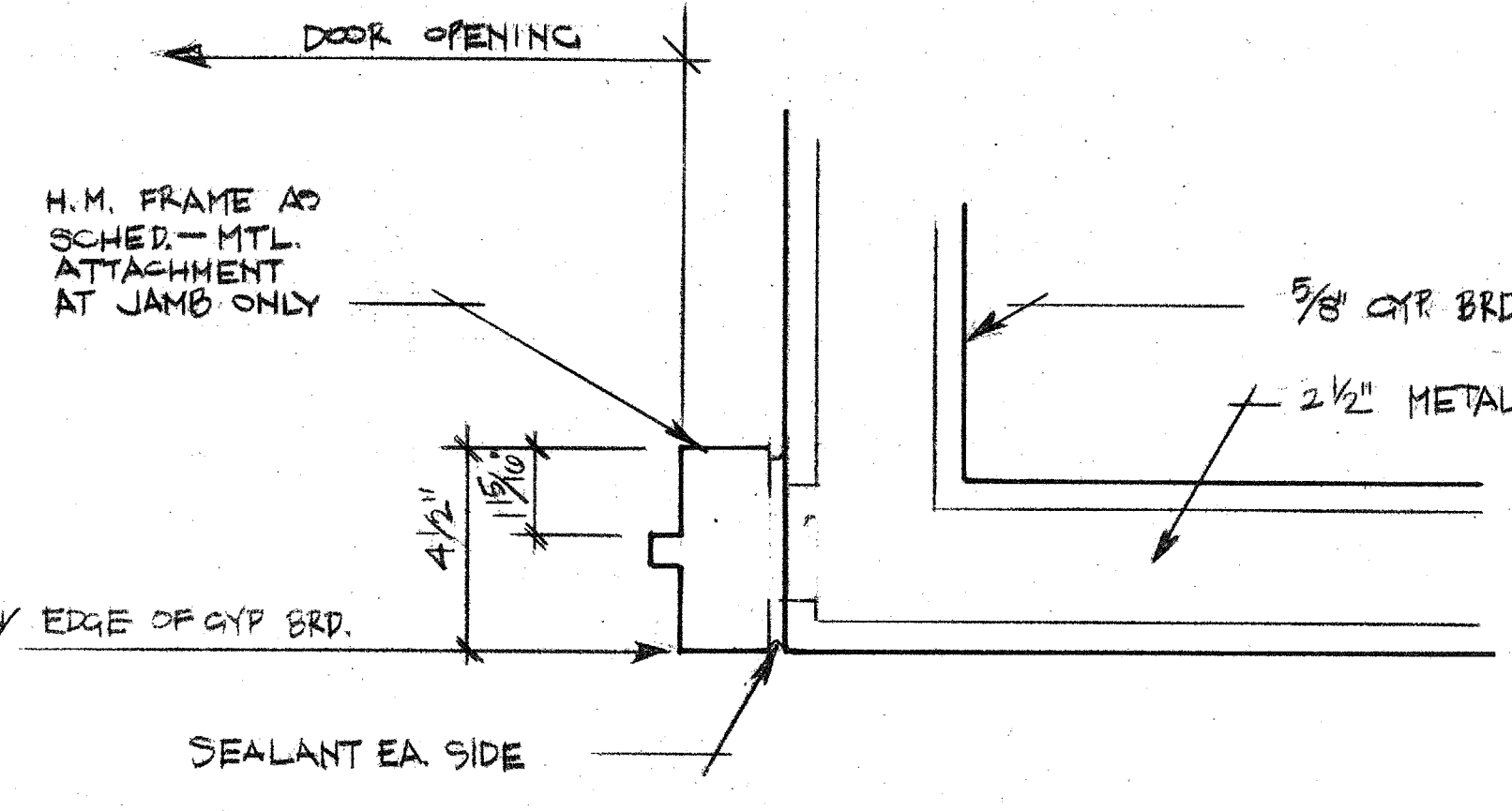
48 JAMB



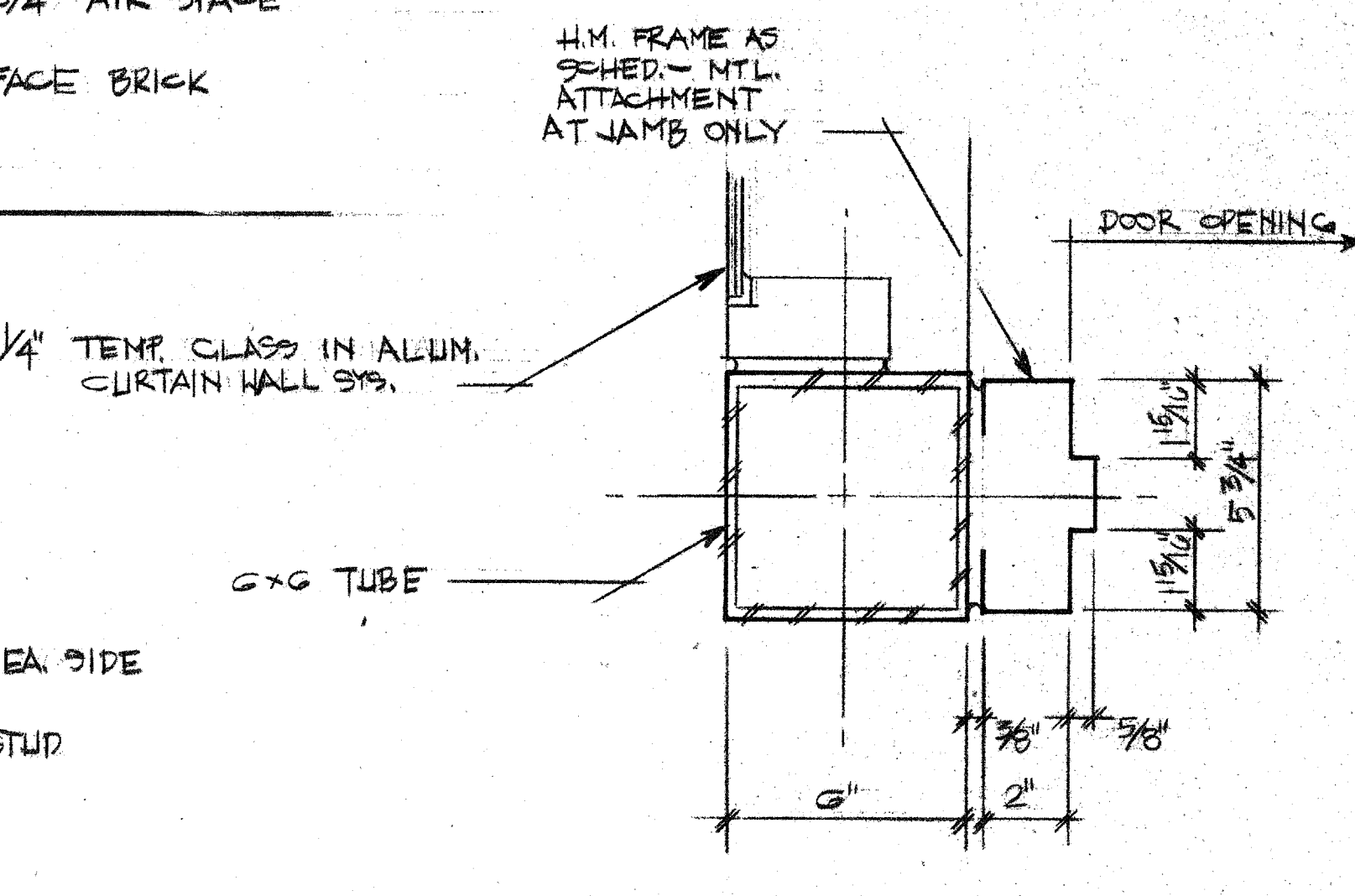
41 JAMB / HEAD



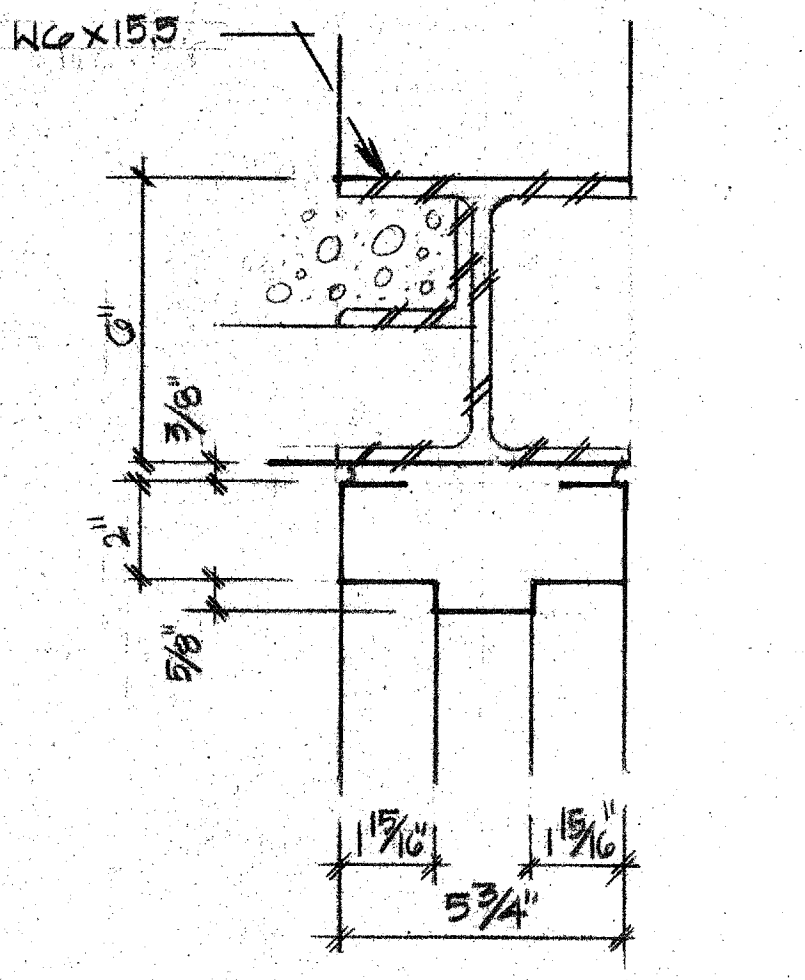
43 JAMB



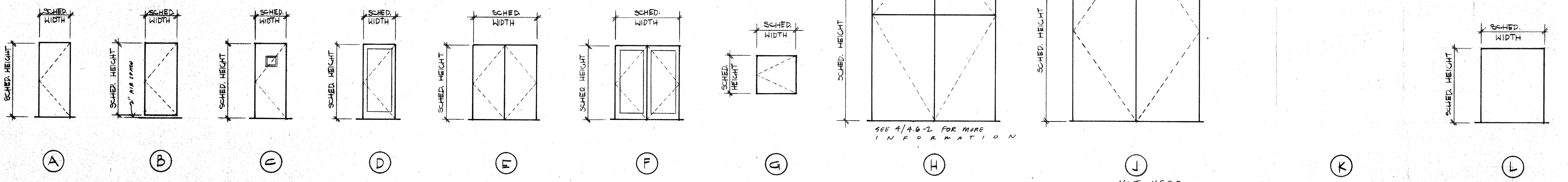
45 JAMB



47 JAMB

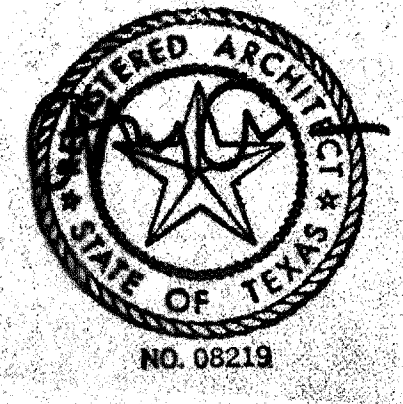


49 HEAD



SEE 4/A.6.2 FOR MORE INFORMATION

NOT USED.



ACC ADDISON ACT

OWNER	LANDSCAPE	STRUCTURAL	HISTORIAN	Issue	Category	Subcategory	Sheet
Town of Addison The Kallans Group 307-776-1407	THEATRE CONSULTANT Theatre Projects Dallas, Texas 75201 214-655-5272	Erico Turner 214-367-6393 M.E.P. MEP Systems 214-754-4741 CIVIL Kurtz & Associates 214-680-3222	Alan Mason 214-628-7182 LIGHTING Pamela Hull Wilson 214-823-6542 GRAPHICS Northstead Design 214-854-1978	ISSUE FOR BID 8-17-90	4	1	7