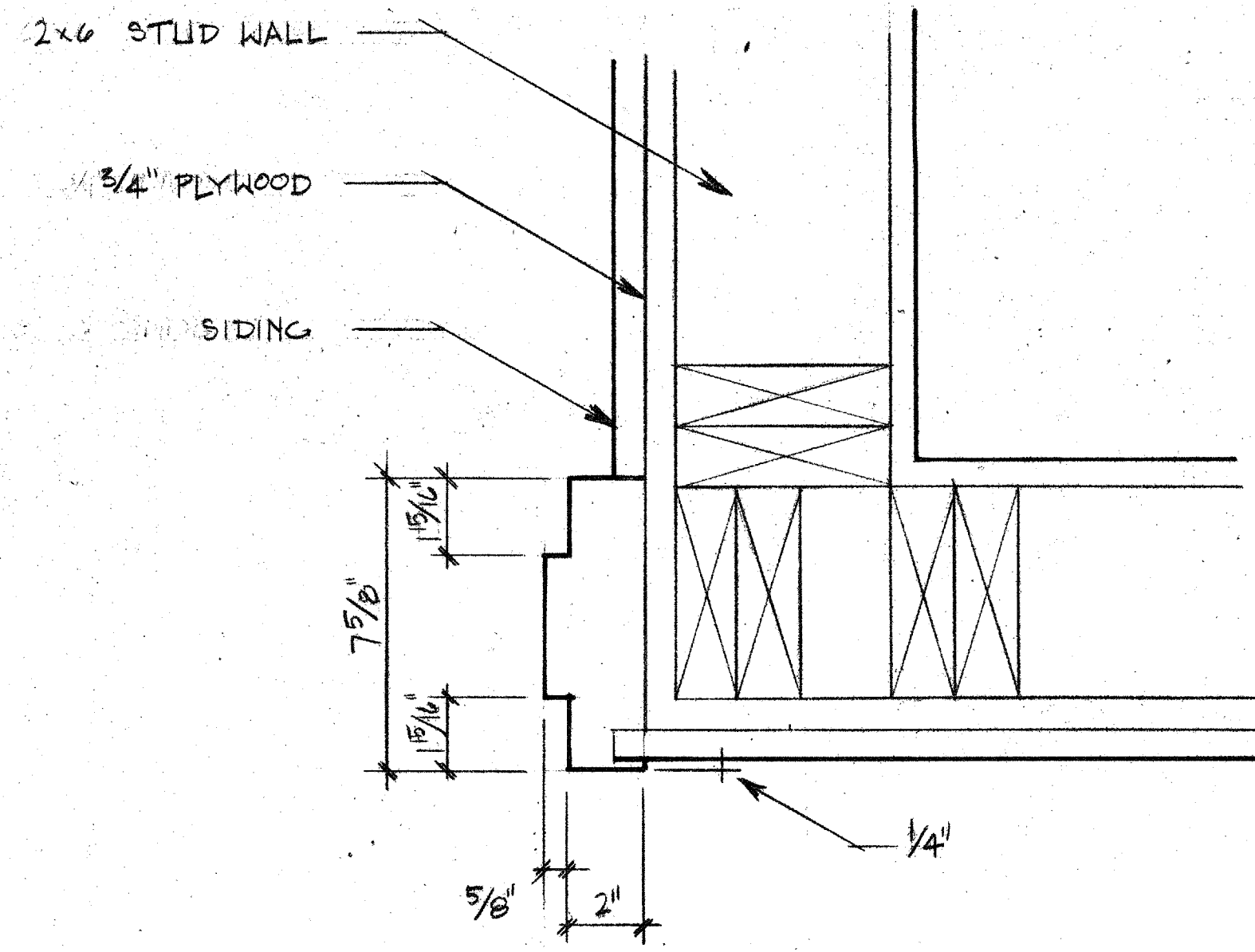
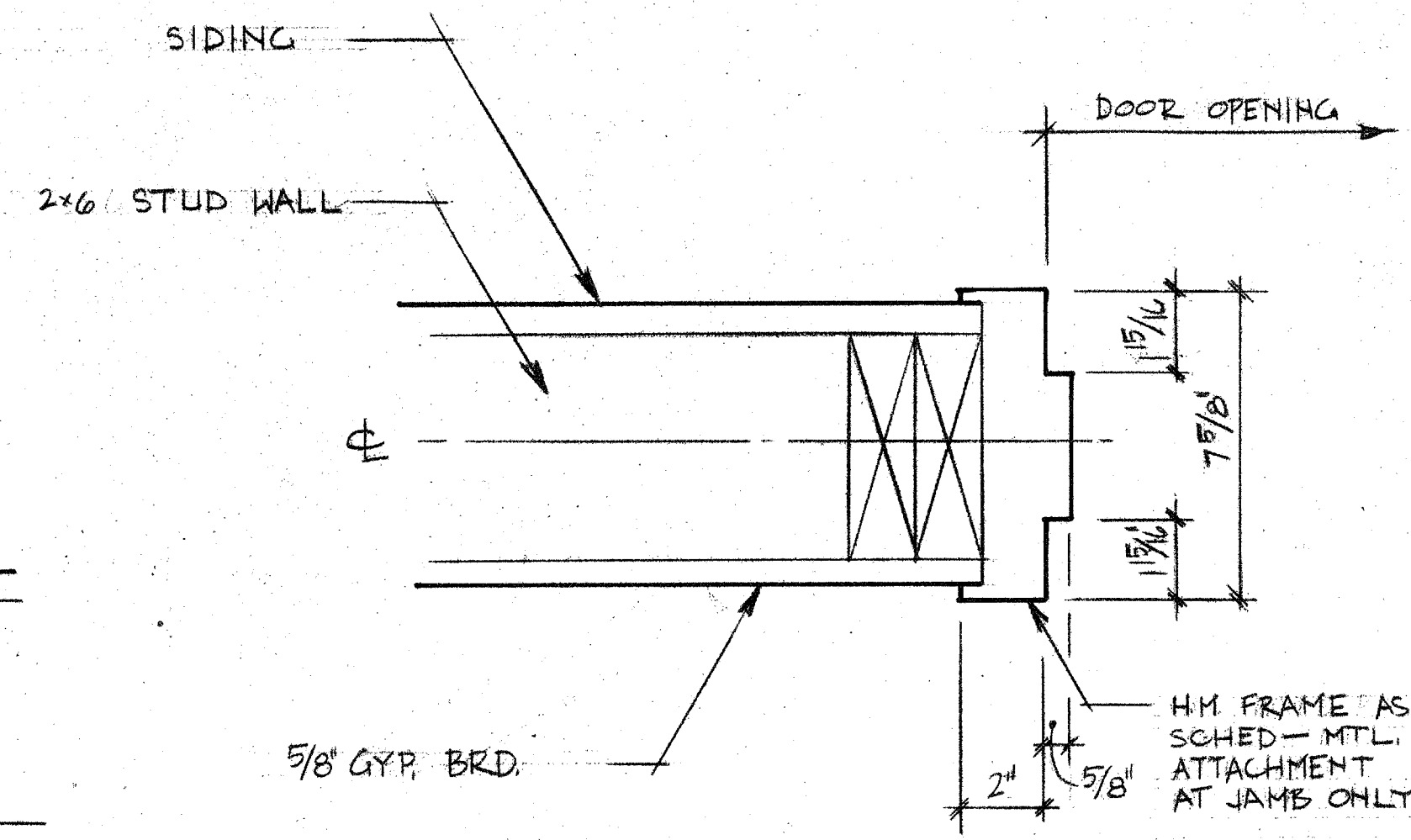


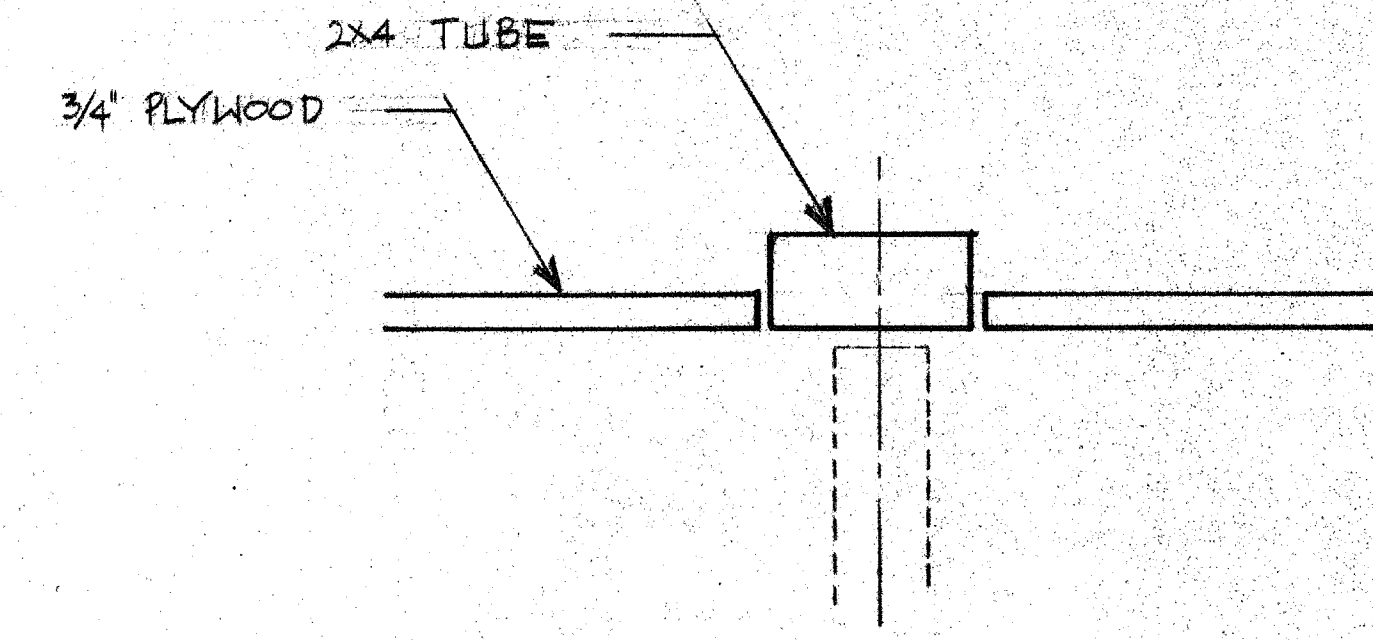
51 JAMB



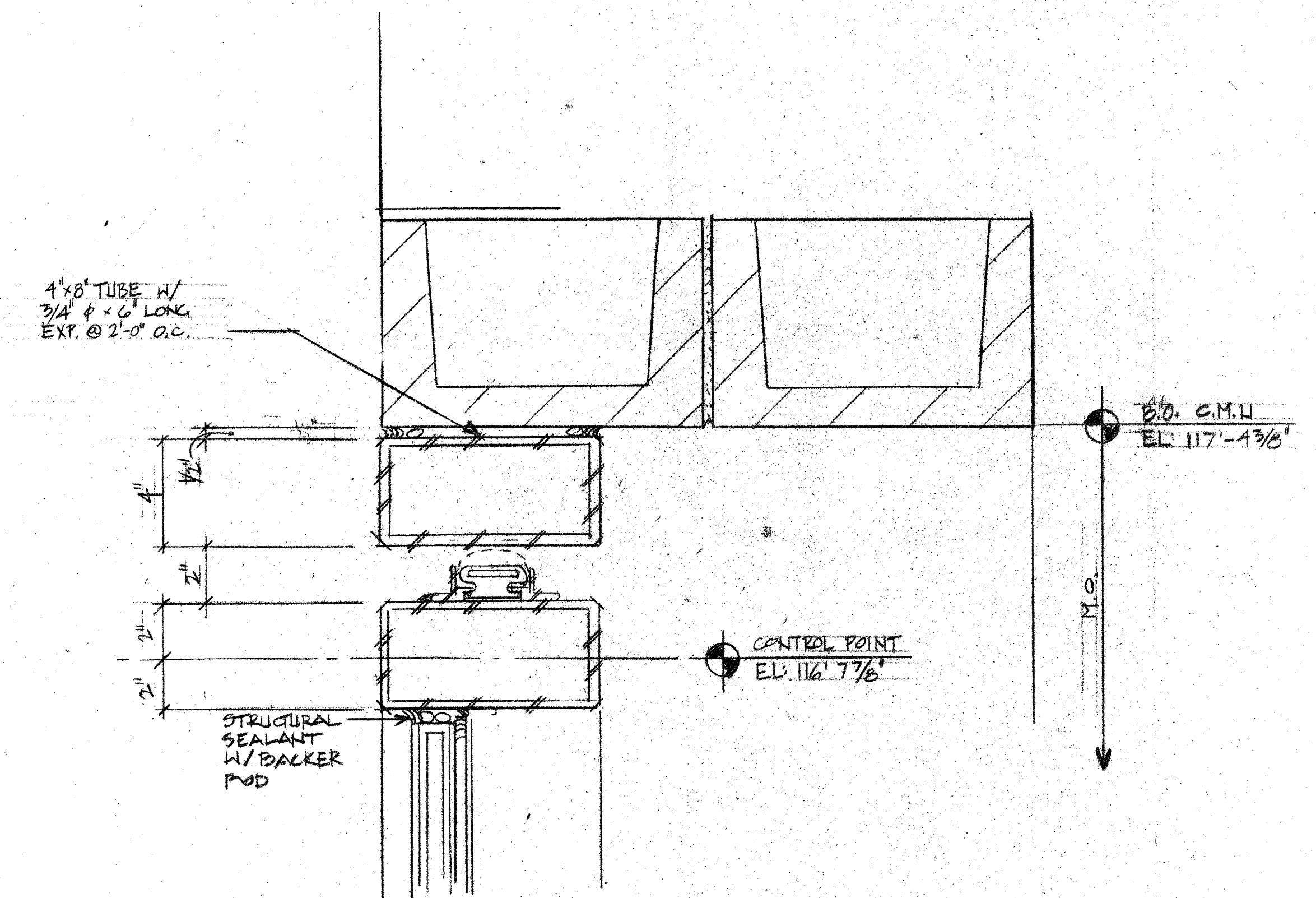
52 JAMB



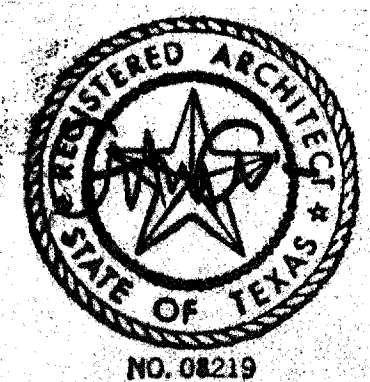
53 JAMB / HEAD



54 HEAD



55 HEAD



ACC ADDISON ACT

OWNER
Town of Addison
The Kellams Group
317-776-1417

ARCHITECT
Cunningham Architects
2700 Fairmount
Dallas, Texas 75201
214-855-5272

LANDSCAPE
The Kellams Group
317-776-1417

THEATRE CONSULTANT
Theatre Projects
203-403-3049
214-855-5272

INTERIORS
CRSS
713-552-2000

STRUCTURAL
Elicor Tanner
214-387-8383

M.E.P.
MEP Systems
214-754-4741

CIVIL
Kurtz & Associates
214-850-3322

HISTORIAN
Alan Mason
214-691-7182

LIGHTING
Pamela Hull Wilson
214-823-8542

GRAPHICS
Notmestad Design
214-954-1878

Issue	Category	Subcategory	Sheet
ISSUE FOR BID 8-17-03	4	1	8