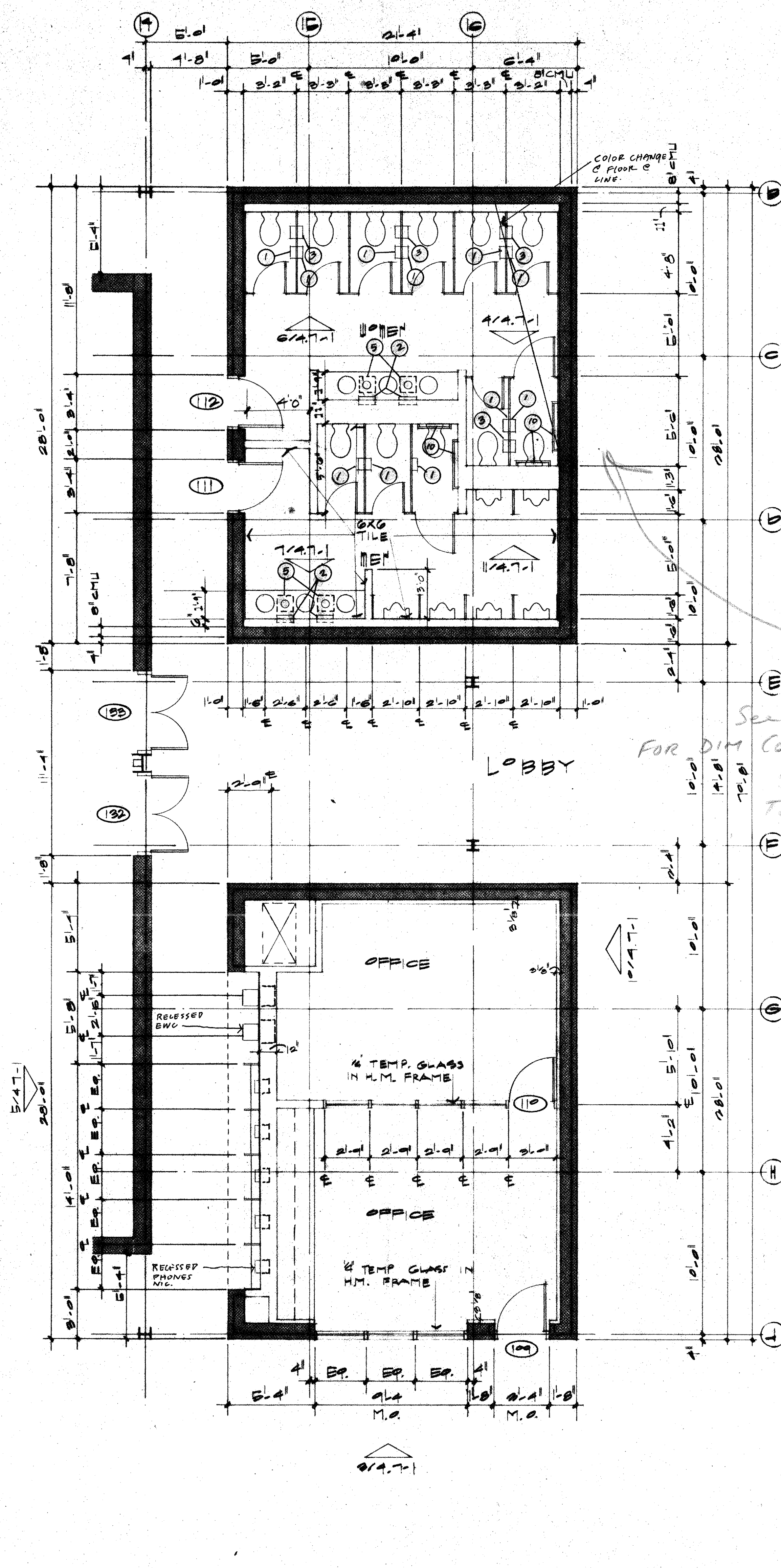
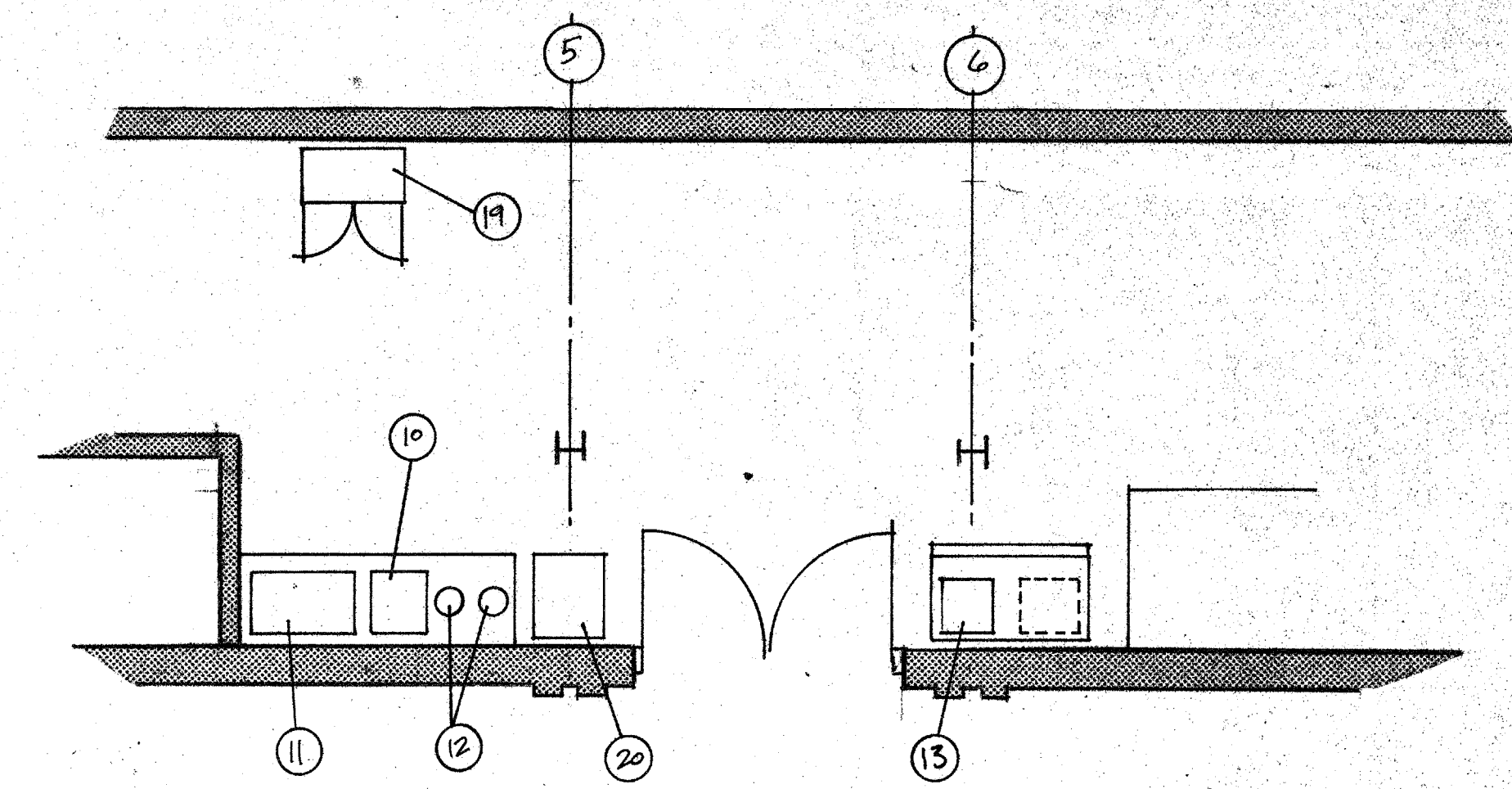


3 ENLARGED PLAN
1/4" = 1'-0"



2 ENLARGED PLAN
1/4" = 1'-0"

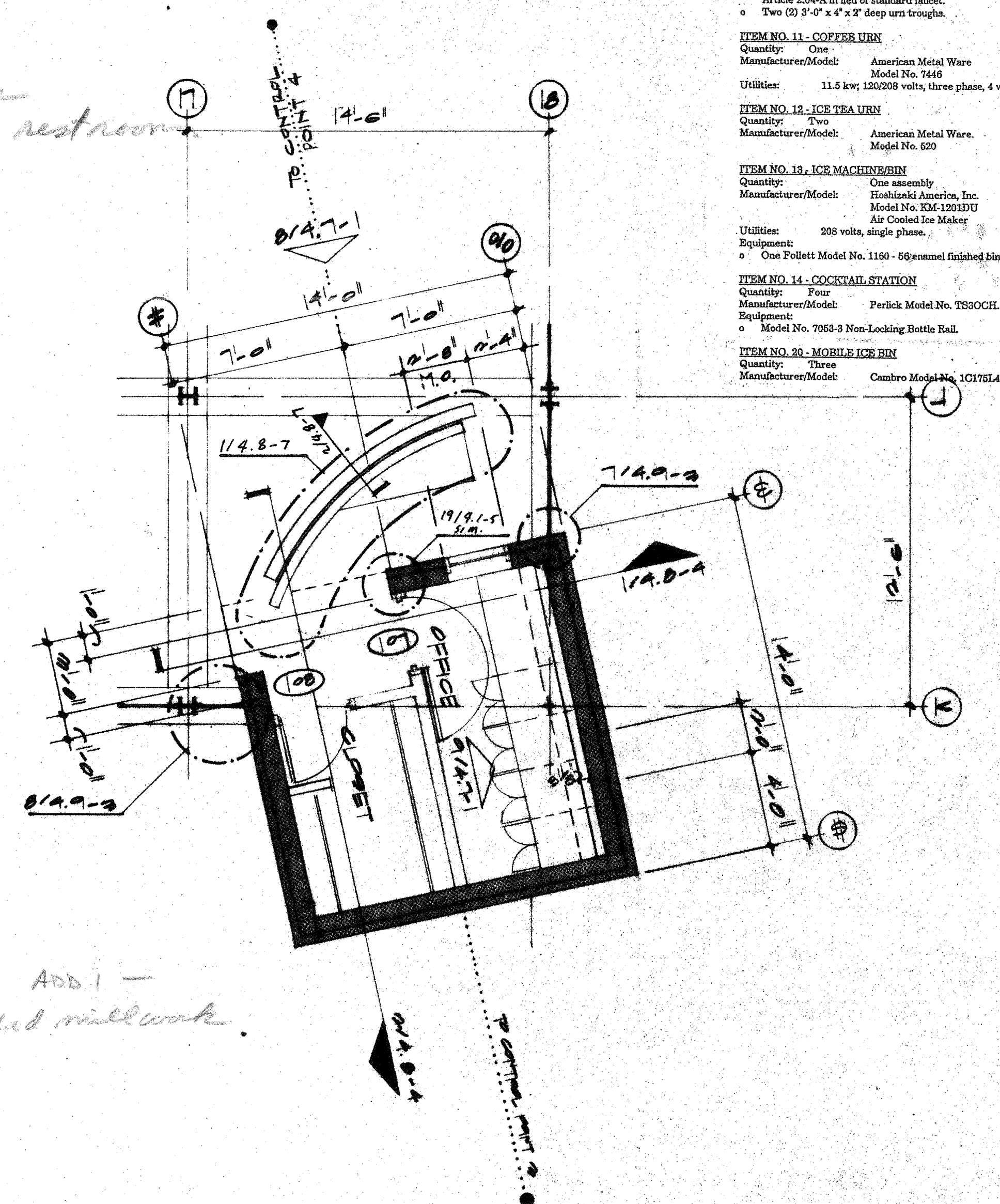


2 EXHIBITION HALL
SERVICE CORRIDOR
1/4" = 1'-0"

SCHEDULE OF TOILET AND BATH ACCESSORIES

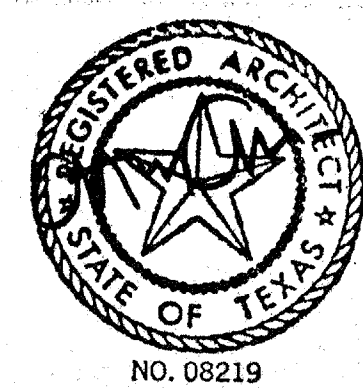
KEY	ITEM
1	Toilet Paper Dispenser, Bobrick # B-274
2	Paper Towel Dispenser, Bobrick # B-317
3	Sanitary Napkin Disposal, Bobrick #B-354
4	Sanitary Napkin Disposal, Bobrick #B-353
5	Waste Paper Can, Bobrick # B-2260
6	Trash Disposal, Bobrick # B-2260
7	Utility Shelf, Bobrick # B-224, 36" long
8	Shower Curtain and Rod, Bobrick # 302-2 w/204-1 hooks w/B-6107 Rod
9	Towel Holder, Bobrick # B-423
10	Handicap Bars, Bobrick # B-6206, one at 42" length, one at 30" length
11	Shower Bars, Bobrick # B-530, 24" long

See Sk-12
FOR DIM CONTROL
SK 13, 13A For
TILE layout in restrooms



1 ENLARGED PLAN
1/4" = 1'-0"

- ITEM NO. 01 - BOLLIN FREEZER
Quantity: One
Manufacturer/Model: Hobart Model No. HFV-1
Utilities: 120 Volts, single phase.
Equipment:
o Hinge door swing as indicated on plan.
o Veneer vinyl finish with architect.
o Steel perimeter of base/step to floor.
- ITEM NO. 02 - BOLLIN REFRIGERATOR
Quantity: One
Manufacturer/Model: Hobart Model No. HFV-1
Utilities: 120 volts, single phase.
Equipment:
o Hinge door swing as indicated on plan.
o Veneer vinyl finish with architect.
o Steel perimeter of base/step to floor.
- ITEM NO. 03 - MOBILE PAN RACK
Special Instructions:
o This item not in Section 11400 contracts; provided by Caterer.
- ITEM NO. 04 - PREPARATION TABLE
Quantity: One
Manufacturer/Model: Tables Model No. TVXS-3013.
Utilities: Refer to plans.
Equipment:
o One Model No. TA-11D, 20" x 20" x 12" deep sink with faucet and drain. Locate sink in table per plan.
- ITEM NO. 05 - UTENSIL WASH COUNTER
Quantity: One
Manufacturer/Model: Terrell Equipment Co. Model No. WSP-7224 STREILINGER
Utilities: Refer to plans.
Equipment:
o Install Item No. 06 - Disposer One in right-hand drainboard.
o Stainless steel top.
o Two Model No. T-12 faucets.
o One Model No. P-13 pre-rinse spray.
o 14 gauge stainless steel construction.
o Three (3) Model No. D-20 Lower faucet.
o One 14 gauge stainless steel dispenser switch bracket.
- ITEM NO. 06 - DISPOSER
Quantity: One
Manufacturer/Model: Salvager Model No. 300-303
Utilities: 2 hp; 208 volts, single phase.
Equipment:
o 18 inch case.
o Model No. MS2-2 cut-off switch.
Special Instructions:
o Install in Item No. 05 - Utensil Wash Counter.
- ITEM NO. 07 - MOBILE WORK TABLE
Quantity: Two
Manufacturer/Model: Terrell Equipment Co. Model No. STP-530.
Equipment:
o Two Model No. C-21 Non-Locking Caster and Two Model No. C-02 Locking Casters per table.
Special Instructions:
o Adjust legs to compensate for surface; finish height: 24".
- ITEM NO. 08 - BAIN MARIE TABLE
Quantity: One
Manufacturer/Model: Custom Fabricated
Size: 7'-0" x 3'-0" x 3'-10" high.
Utilities: Refer to plans.
Construction/Component:
o Square edge top turnaround on all sides.
o One Atlas 548-28-2800 receptacle mounted below top, centered at end and away from bain marie.
o Open Base Construction.
o One MEMA 5-50R duplex receptacle mounted below top, centered at end and away from bain marie.
- ITEM NO. 09 - ASSEMBLED CART
Special Instructions:
o This item not in Section 11400 contracts; provided by Caterer.
- ITEM NO. 10 - BEVERAGE COUNTER
Quantity: One
Manufacturer/Model: Table Model No. TVXS-3013.
Utilities: Refer to plans.
Equipment:
o One Atlas 548-28-2800 receptacle mounted below top, centered at end and away from bain marie.
o One MEMA 5-50R duplex receptacle mounted below top, centered at end and away from bain marie.
o Two (2) 3'-0" x 4" x 2" deep urn troughs.
- ITEM NO. 11 - COFFEE URN
Quantity: One
Manufacturer/Model: American Metal Ware Model No. 448
Utilities: 11.5 kw; 120/208 volts, three phase, 4 wire.
- ITEM NO. 12 - ICE TRAY URN
Quantity: Two
Manufacturer/Model: American Metal Ware Model No. 620
- ITEM NO. 13 - ICE MACHINERY
Quantity: One assembly
Manufacturer/Model: Hamilton America, Inc. Model No. 204-2011TU
Air Cooled Ice Maker
Utilities: 208 volts, single phase.
Equipment:
o One Polart Model No. 1101 - 06 enamelled finished bin; top cut-out for above ice maker.
- ITEM NO. 14 - COCKTAIL STATION
Quantity: Four
Manufacturer/Model: Perlick Model No. TSSOCH
Equipment:
o Model No. 7005-3 Non-Locking Bottle Rail.
- ITEM NO. 20 - MOBILE ICE BIN
Quantity: Three
Manufacturer/Model: Cambro Model No. 1C175L4S.



ACC • ACT
ADDISON

OWNER Texas of Addison	LANDSCAPE The Kallens Group 317-776-1417	STRUCTURAL Ellen Turner 214-387-8333	HISTORIAN Alan Mason 214-897-7882	Issue ISSUE FOR BID 8-17-00	Category 4	Subcategory 3	Sheet 1
ARCHITECT Cunningham Architects 2700 Fairmount Dallas, Texas 75201 214-855-5272	THEATRE CONSULTANT Theatre Projects 202-431-3949	M.E.P. MEP Systems 214-754-4741	LIGHTING Parade Hill Wilson 214-823-8642				
INTERIORS ONES 710-542-2000	CIVIL Kurtz & Associates 214-688-3322	GRAPHICS Northwood Design 214-894-9978					