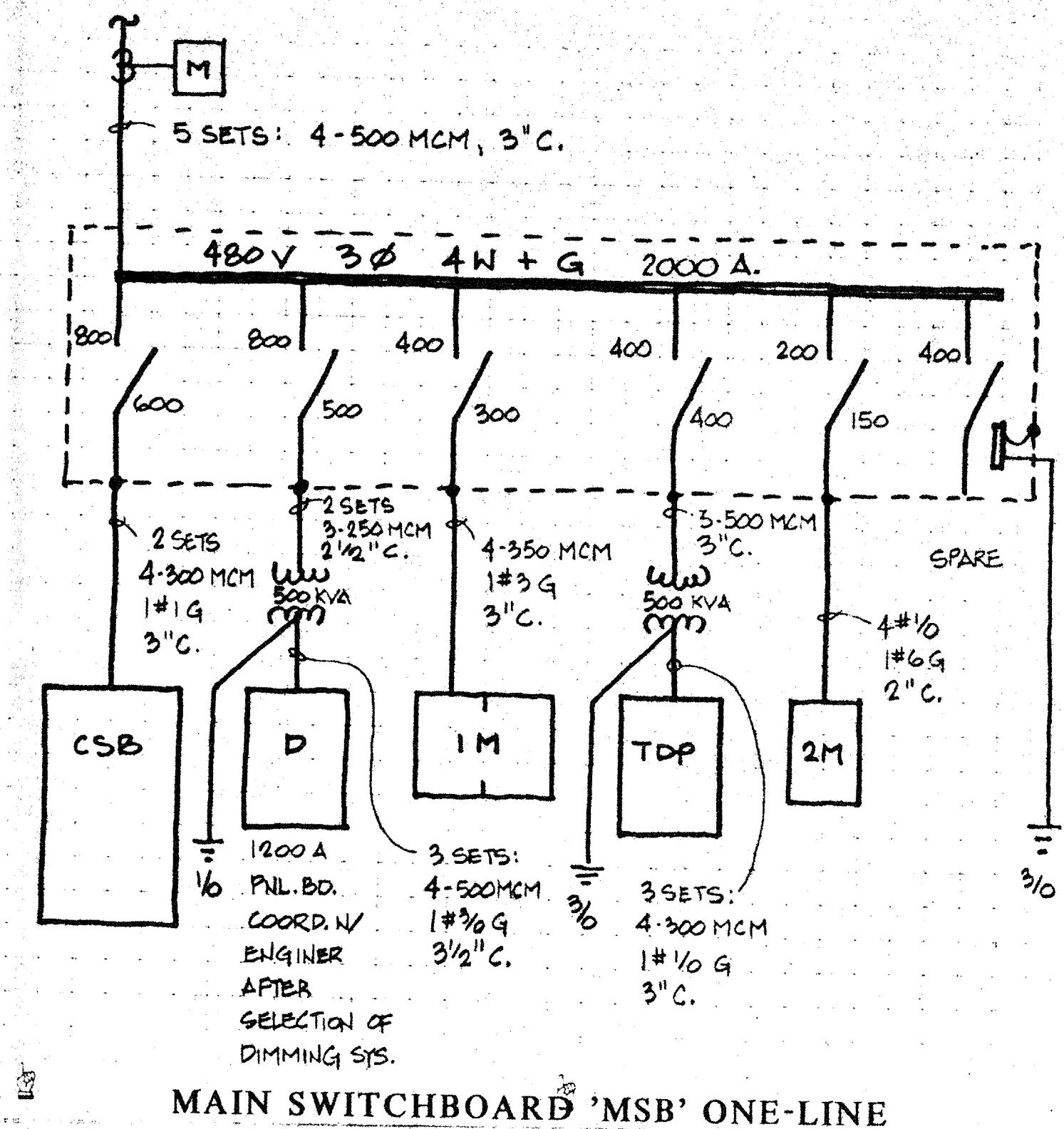


SWITCH 'MSB' SCHEDULE	(L) LIGHTING	(R) RECP	(M) MOTORS	(S) STATION	(H) HEAT	(A) A/C	(C) COMP	(W) WATER	(O) OTHER	(S) SPARE	(S) SPACE	CONNECTED	LOAD	POLES	SWITCH	FUSE	
NO. DESCRIPTION	L	T	R	G	M	E	A	C	W	O	S	F	KVA	AMP	POLES	SWITCH	FUSE
1 TRANSFORMER 'T1'	0	0	0	0	0	0	0	0	0	0	0	276	331	1	1	1	100
2 PANEL 'T1'	11	0	0	0	0	0	0	0	0	0	0	39	167	201	3	1	400
3 PANEL 'T2'	3	0	0	0	0	0	0	0	0	0	0	38	82	99	3	1	200
4 SWITCHBOARD 'CSB'	43	0	14	123	0	15	17	78	199	0	0	160	0	0	0	0	1400
TOTAL CONNECTED LOADS:	122	0	14	123	0	15	17	78	199	0	0	160	0	0	0	0	1400

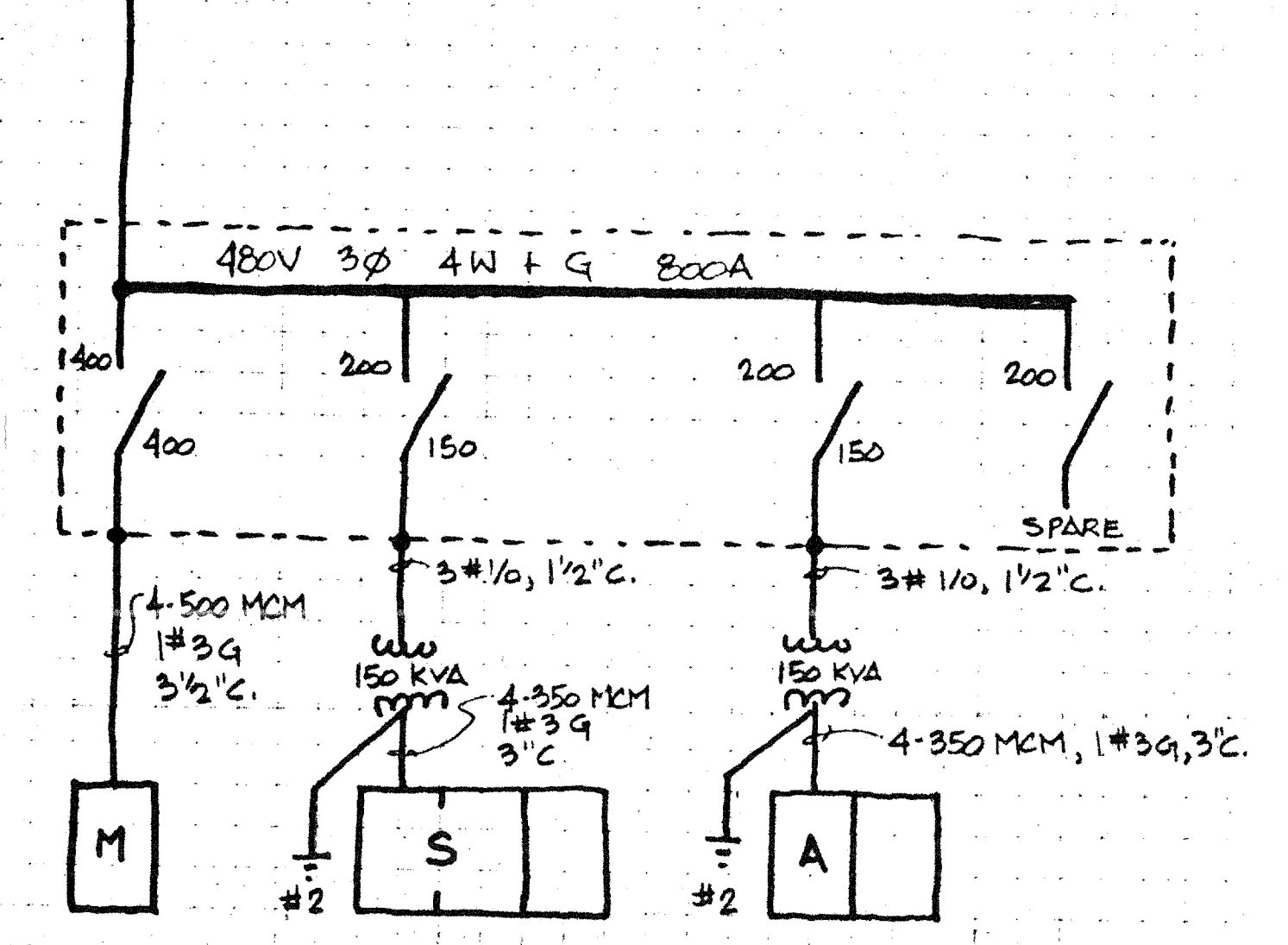
SWITCHBOARD 'CSB' SCHEDULE	(L) LIGHTING	(R) RECP	(M) MOTORS	(S) STATION	(H) HEAT	(A) A/C	(C) COMP	(W) WATER	(O) OTHER	(S) SPARE	(S) SPACE	CONNECTED	LOAD	POLES	SWITCH	FUSE	
NO. DESCRIPTION	L	T	R	G	M	E	A	C	W	O	S	F	KVA	AMP	POLES	SWITCH	FUSE
1 TRANSFORMER (PANEL 'A')	43	0	0	0	0	0	0	0	0	0	0	276	331	1	1	1	100
2 PANEL 'A'	11	0	0	0	0	0	0	0	0	0	0	39	167	201	3	1	400
3 TRANSFORMER (PANEL 'S')	0	0	0	0	0	0	0	0	0	0	0	160	0	0	0	0	1400
TOTAL CONNECTED LOADS:	43	0	0	0	0	0	0	0	0	0	0	160	0	0	0	0	1400

PANEL 'TDP' SCHEDULE	(L) LIGHTING	(R) RECP	(M) MOTORS	(S) STATION	(H) HEAT	(A) A/C	(C) COMP	(W) WATER	(O) OTHER	(S) SPARE	(S) SPACE	CONNECTED	LOAD	POLES	SWITCH	FUSE	
NO. DESCRIPTION	L	T	R	G	M	E	A	C	W	O	S	F	KVA	AMP	POLES	SWITCH	FUSE
1 ABT - 7	0	0	0	0	0	0	0	0	0	0	0	0	0	0	0	0	0
2 ABT - 8	0	0	0	0	0	0	0	0	0	0	0	0	0	0	0	0	0
3 ABT - 9	0	0	0	0	0	0	0	0	0	0	0	0	0	0	0	0	0
4 PANEL 'IA'	23	0	0	0	0	0	0	0	0	0	0	23	69	3	1	100	
5 PANEL 'IB'	0	0	0	0	0	0	0	0	0	0	0	23	69	3	1	100	
6 100 A IEC RECEPTACLE	0	0	0	0	0	0	0	0	0	0	0	23	69	3	1	100	
7 PANEL 'IS'	29	0	12	19	0	2	15	0	0	0	0	4	118	86	238	3	100
8	0	0	0	0	0	0	0	0	0	0	0	0	0	0	0	0	0
9	0	0	0	0	0	0	0	0	0	0	0	0	0	0	0	0	0
10	0	0	0	0	0	0	0	0	0	0	0	0	0	0	0	0	0
TOTAL CONNECTED LOADS:	32	0	12	19	0	2	15	0	0	0	0	49	137	101	272	754	

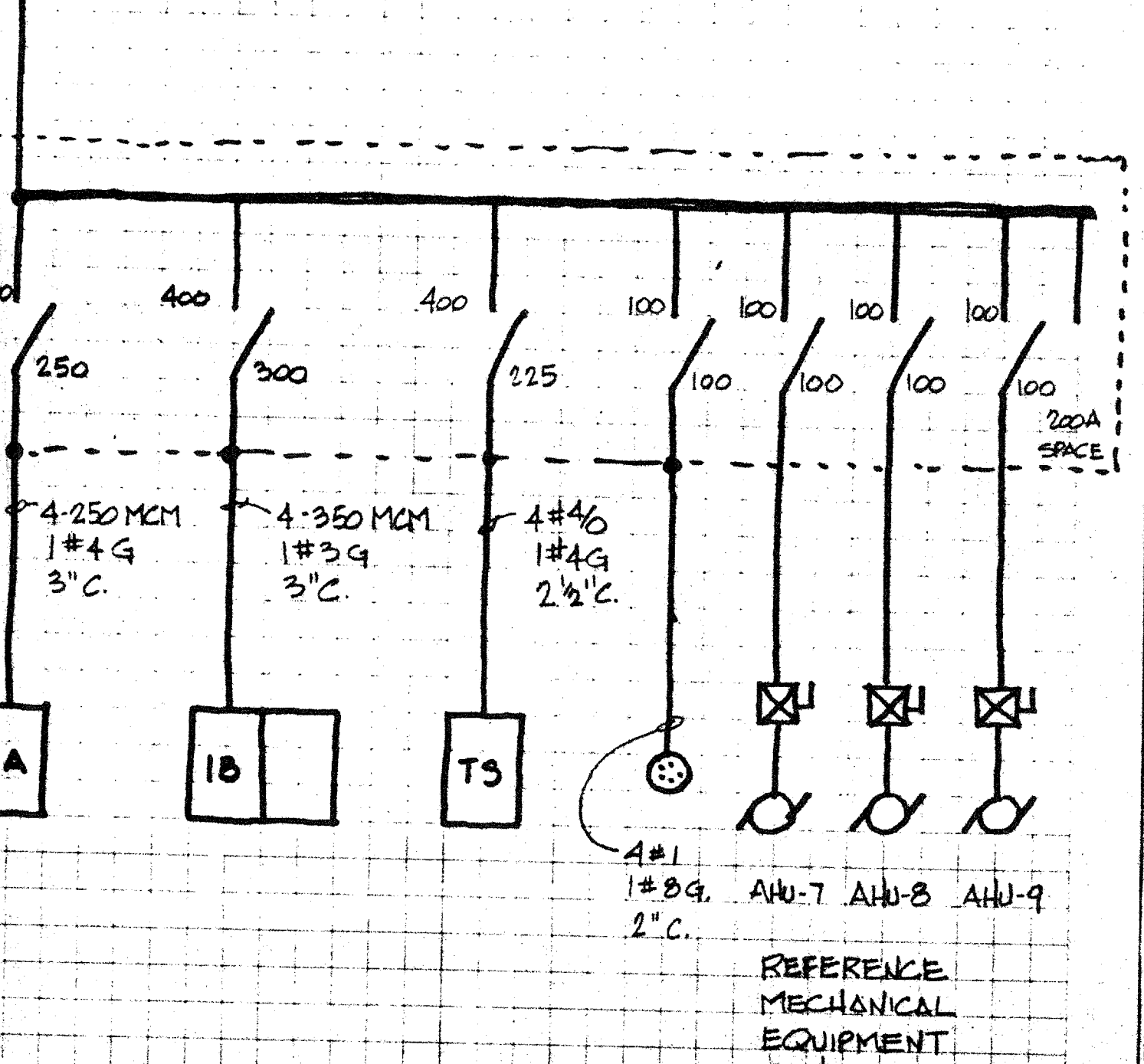
COPYRIGHT (C) WILLIAM H. STEVENS AND BARRY L. HARR, P.E., 1988 ALL RIGHTS RESERVED



MAIN SWITCHBOARD 'MSB' ONE-LINE



SWITCHBOARD 'CSB' ONE-LINE



PANEL 'TDP' ONE-LINE

MECHANICAL EQUIPMENT SCHEDULE

EQUIPMENT PLAN MARK	DESCRIPTION / CATALOG NO.	LOCATION	MECHANICAL DATA			MOTOR & ELEC DATA			ELECTRICAL DATA					
			VOLTS	PHASE	HP	FLA	HEAT	MCA	MCA	STARTER	DISCONNECT	WIRE SIZE	WIRING	
RTU-1	TRANS/FRIG-2 MOTOR	1st ROOF	480	3	10	14	60.9	M	E	100	70	M-21/18	3# 1/2" G	1 1/4"
RTU-2	TRANS/FRIG-2 MOTOR	1st ROOF	480	3	10	14	60.9	M	E	100	70	M-21/18	3# 1/2" G	1 1/4"
RTU-3	TRANS/FRIG-2 MOTOR	1st ROOF	480	3	10	14	60.9	M	E	100	70	M-21/18	3# 1/2" G	1 1/4"
RTU-4	TRANS/FRIG-2 MOTOR	1st ROOF	480	3	10	14	60.9	M	E	100	70	M-21/18	3# 1/2" G	1 1/4"
RTU-5	TRANS/FRIG-2 MOTOR	1st ROOF	480	3	10	14	60.9	M	E	100	70	M-21/18	3# 1/2" G	1 1/4"
RTU-6	TRANS/FRIG-2 MOTOR	1st ROOF	480	3	10	14	60.9	M	E	100	70	M-21/18	3# 1/2" G	1 1/4"
RTU-7	TRANS/FRIG-2 MOTOR	1st ROOF	480	3	10	14	60.9	M	E	100	70	M-21/18	3# 1/2" G	1 1/4"
RTU-8	TRANS/FRIG-2 MOTOR	1st ROOF	480	3	10	14	60.9	M	E	100	70	M-21/18	3# 1/2" G	1 1/4"
RTU-9	TRANS/FRIG-2 MOTOR	1st ROOF	480	3	10	14	60.9	M	E	100	70	M-21/18	3# 1/2" G	1 1/4"
RTU-10	TRANS/FRIG-2 MOTOR	1st ROOF	480	3	10	14	60.9	M	E	100	70	M-21/18	3# 1/2" G	1 1/4"
RTU-11	TRANS/FRIG-2 MOTOR	1st ROOF	480	3	10	14	60.9	M	E	100	70	M-21/18	3# 1/2" G	1 1/4"
RTU-12	TRANS/FRIG-2 MOTOR	1st ROOF	480	3	10	14	60.9	M	E	100	70	M-21/18	3# 1/2" G	1 1/4"
RTU-13	TRANS/FRIG-2 MOTOR	1st ROOF	480	3	10	14	60.9	M	E	100	70	M-21/18	3# 1/2" G	1 1/4"
RTU-14	TRANS/FRIG-2 MOTOR	1st ROOF	480	3	10	14	60.9	M	E	100	70	M-21/18	3# 1/2" G	1 1/4"
RTU-15	TRANS/FRIG-2 MOTOR	1st ROOF	480	3	10	14	60.9	M	E	100	70	M-21/18	3# 1/2" G	1 1/4"
RTU-16	TRANS/FRIG-2 MOTOR	1st ROOF	480	3	10	14	60.9	M	E	100	70	M-21/18	3# 1/2" G	1 1/4"
RTU-17	TRANS/FRIG-2 MOTOR	1st ROOF	480	3	10	14	60.9	M	E	100	70	M-21/18	3# 1/2" G	1 1/4"
RTU-18	TRANS/FRIG-2 MOTOR	1st ROOF	480	3	10	14	60.9	M	E	100	70	M-21/18	3# 1/2" G	1 1/4"
RTU-19	TRANS/FRIG-2 MOTOR	1st ROOF	480	3	10	14	60.9	M	E	100	70	M-21/18	3# 1/2" G	1 1/4"
RTU-20	TRANS/FRIG-2 MOTOR	1st ROOF	480	3	10	14	60.9	M	E	100	70	M-21/18	3# 1/2" G	1 1/4"
RTU-21	TRANS/FRIG-2 MOTOR	1st ROOF	480	3	10	14	60.9	M	E	100	70	M-21/18	3# 1/2" G	1 1/4"

RTU-22	TRANS/FRIG-2 MOTOR	1st ROOF	480	3	10	14	60.9	M	E	100	70	M-21/18	3# 1/2" G	1 1/4"
RTU-23	TRANS/FRIG-2 MOTOR	1st ROOF	480	3	10	14	60.9	M <td>E <td>100</td> <td>70</td> <td>M-21/18</td> <td>3# 1/2" G</td> <td>1 1/4"</td> </td>	E <td>100</td> <td>70</td> <td>M-21/18</td> <td>3# 1/2" G</td> <td>1 1/4"</td>	100	70	M-21/18	3# 1/2" G	1 1/4"
RTU-24	TRANS/FRIG-2 MOTOR	1st ROOF	480	3	10	14	60.9	M <td>E <td>100</td> <td>70</td> <td>M-21/18</td> <td>3# 1/2" G</td> <td>1 1/4"</td> </td>	E <td>100</td> <td>70</td> <td>M-21/18</td> <td>3# 1/2" G</td> <td>1 1/4"</td>	100	70	M-21/18	3# 1/2" G	1 1/4"
RTU-25	TRANS/FRIG-2 MOTOR	1st ROOF	480	3	10	14	60.9	M <td>E <td>100</td> <td>70</td> <td>M-21/18</td> <td>3# 1/2" G</td> <td>1 1/4"</td> </td>	E <td>100</td> <td>70</td> <td>M-21/18</td> <td>3# 1/2" G</td> <td>1 1/4"</td>	100	70	M-21/18	3# 1/2" G	1 1/4"
AW-1	W/HEATING	1st FLOOR	480	3	2	8	24.92	M <td>E <td>60</td> <td>45</td> <td>M-19/21/25</td> <td>3# 1/2" G</td> <td>1 1/4"</td> </td>	E <td>60</td> <td>45</td> <td>M-19/21/25</td> <td>3# 1/2" G</td> <td>1 1/4"</td>	60	45	M-19/21/25	3# 1/2" G	1 1/4"
AW-2	W/HEATING	1st FLOOR	480	3	2	8	24.92	M <td>E <td>60</td> <td>45</td> <td>M-19/21/25</td> <td>3# 1/2" G</td> <td>1 1/4"</td> </td>	E <td>60</td> <td>45</td> <td>M-19/21/25</td> <td>3# 1/2" G</td> <td>1 1/4"</td>	60	45	M-19/21/25	3# 1/2" G	1 1/4"
AW-3	W/HEATING	1st FLOOR	480	3	2	8	24.92	M <td>E <td>60</td> <td>45</td> <td>M-19/21/25</td> <td>3# 1/2" G</td> <td>1 1/4"</td> </td>	E <td>60</td> <td>45</td> <td>M-19/21/25</td> <td>3# 1/2" G</td> <td>1 1/4"</td>	60	45	M-19/21/25	3# 1/2" G	1 1/4"
AW-4	W/HEATING	1st FLOOR	480	3	2	8	24.92	M <td>E <td>60</td> <td>45</td> <td>M-19/21/25</td> <td>3# 1/2" G</td> <td>1 1/4"</td> </td>	E <td>60</td> <td>45</td> <td>M-19/21/25</td> <td>3# 1/2" G</td> <td>1 1/4"</td>	60	45	M-19/21/25	3# 1/2" G	1 1/4"
AW-5	W/HEATING	1st FLOOR	480	3	2	8	24.92	M <td>E <td>60</td> <td>45</td> <td>M-19/21/25</td> <td>3# 1/2" G</td> <td>1 1/4"</td> </td>	E <td>60</td> <td>45</td> <td>M-19/21/25</td> <td>3# 1/2" G</td> <td>1 1/4"</td>	60	45	M-19/21/25	3# 1/2" G	1 1/4"
AW-6	W/HEATING	1st FLOOR	480	3	2	8	24.92	M <td>E <td>60</td> <td>45</td> <td>M-19/21/25</td> <td>3# 1/2" G</td> <td>1 1/4"</td> </td>	E <td>60</td> <td>45</td> <td>M-19/21/25</td> <td>3# 1/2" G</td> <td>1 1/4"</td>	60	45	M-19/21/25	3# 1/2" G	1 1/4"
AW-7	W/HEATING	1st FLOOR	480	3	2	8	24.92	M <td>E <td>60</td> <td>45</td> <td>M-19/21/25</td> <td>3# 1/2" G</td> <td>1 1/4"</td> </td>	E <td>60</td> <td>45</td> <td>M-19/21/25</td> <td>3# 1/2" G</td> <td>1 1/4"</td>	60	45	M-19/21/25	3# 1/2" G	1 1/4"
AW-8	W/HEATING	1st FLOOR	480	3	2	8	24.92	M <td>E <td>60</td> <td>45</td> <td>M-19/21/25</td> <td>3# 1/2" G</td> <td>1 1/4"</td> </td>	E <td>60</td> <td>45</td> <td>M-19/21/25</td> <td>3# 1/2" G</td> <td>1 1/4"</td>	60	45	M-19/21/25	3# 1/2" G	1 1/4"
AW-9	W/HEATING	1st FLOOR	480	3	2	8	24.92	M <td>E <td>60</td> <td>45</td> <td>M-19/21/25</td> <td>3# 1/2" G</td> <td>1 1/4"</td> </td>	E <td>60</td> <td>45</td> <td>M-19/21/25</td> <td>3# 1/2" G</td> <td>1 1/4"</td>	60	45	M-19/21/25	3# 1/2" G	1 1/4"
AW-10	W/HEATING	1st FLOOR	480	3	2	8	24.92	M <td>E <td>60</td> <td>45</td> <td>M-19/21/25</td> <td>3# 1/2" G</td> <td>1 1/4"</td> </td>	E <td>60</td> <td>45</td> <td>M-19/21/25</td> <td>3# 1/2" G</td> <td>1 1/4"</td>	60	45	M-19/21/25	3# 1/2" G	1 1/4"
AW-11	W/HEATING	1st FLOOR	480	3	2	8	24.92	M <td>E <td>60</td> <td>45</td> <td>M-19/21/25</td> <td>3# 1/2" G</td> <td>1 1/4"</td> </td>	E <td>60</td> <td>45</td> <td>M-19/21/25</td> <td>3# 1/2" G</td> <td>1 1/4"</td>	60	45	M-19/21/25	3# 1/2" G	1 1/4"
AW-12	W/HEATING	1st FLOOR	480	3	2	8	24.92	M <td>E <td>60</td> <td>45</td> <td>M-19/21/25</td> <td>3# 1/2" G</td> <td>1 1/4"</td> </td>	E <td>60</td> <td>45</td> <td>M-19/21/25</td> <td>3# 1/2" G</td> <td>1 1/4"</td>	60	45	M-19/21/25	3# 1/2" G	1 1/4"
AW-13	W/HEATING	1st FLOOR	480	3	2	8	24.92	M <td>E <td>60</td> <td>45</td> <td>M-19/21/25</td> <td>3# 1/2" G</td> <td>1 1/4"</td> </td>	E <td>60</td> <td>45</td> <td>M-19/21/25</td> <td>3# 1/2" G</td> <td>1 1/4"</td>	60	45	M-19/21/25	3# 1/2" G	1 1/4"
AW-14	W/HEATING	1st FLOOR	480	3	2	8	24.92	M <td>E <td>60</td> <td>45</td> <td>M-19/21/25</td> <td>3# 1/2" G</td> <td>1 1/4"</td> </td>	E <td>60</td> <td>45</td> <td>M-19/21/25</td> <td>3# 1/2" G</td> <td>1 1/4"</td>	60	45	M-19/21/25	3# 1/2" G	1 1/4"
AW-15	W/HEATING	1st FLOOR	480	3	2	8	24.92	M <td>E <td>60</td> <td>45</td> <td>M-19/21/25</td> <td>3# 1/2" G</td> <td>1 1/4"</td> </td>	E <td>60</td> <td>45</td> <td>M-19/21/25</td> <td>3# 1/2" G</td> <td>1 1/4"</td>	60	45	M-19/21/25	3# 1/2" G	1 1/4"
AW-16	W/HEATING	1st FLOOR	480	3	2	8	24.92	M <td>E <td>60</td> <td>45</td> <td>M-19/21/25</td> <td>3# 1/2" G</td> <td>1 1/4"</td> </td>	E <td>60</td> <td>45</td> <td>M-19/21/25</td> <td>3# 1/2" G</td> <td>1 1/4"</td>	60	45	M-19/21/25	3# 1/2" G	1 1/4"
AW-17	W/HEATING	1st FLOOR	480	3	2	8	24.92	M <td>E <td>60</td> <td>45</td> <td>M-19/21/25</td> <td>3# 1/2" G</td> <td>1 1/4"</td> </td>	E <td>60</td> <td>45</td> <td>M-19/21/25</td> <td>3# 1/2" G</td> <td>1 1/4"</td>	60	45	M-19/21/25	3# 1/2" G	1 1/4"
AW-18	W/HEATING	1st FLOOR	480	3	2	8	24.92	M <td>E <td>60</td> <td>45</td> <td>M-19/21/25</td> <td>3# 1/2" G</td> <td>1 1/4"</td> </td>	E <td>60</td> <td>45</td> <td>M-19/21/25</td> <td>3# 1/2" G</td> <td>1 1/4"</td>	60	45	M-19/21/25	3# 1/2" G	1 1/4"
AW-19	W/HEATING	1st FLOOR	480	3	2	8	24.92	M <td>E <td>60</td> <td>45</td> <td>M-19/21/25</td> <td>3# 1/2" G</td> <td>1 1/4"</td> </td>	E <td>60</td> <td>45</td> <td>M-19/21/25</td> <td>3# 1/2" G</td> <td>1 1/4"</td>	60	45	M-19/21/25	3# 1/2" G	1 1/4"
AW-20	W/HEATING	1st FLOOR	480	3	2	8	24.92	M <td>E <td>60</td> <td>45</td> <td>M-19/21/25</td> <td>3# 1/2" G</td> <td>1 1/4"</td> </td>	E <td>60</td> <td>45</td> <td>M-19/21/25</td> <td>3# 1/2" G</td> <td>1 1/4"</td>	60	45	M-19/21/25	3# 1/2" G	1 1/4"
AW-21	W/HEATING	1st FLOOR	480	3	2	8	24.92	M <td>E <td>60</td> <td>45</td> <td>M-19/21/25</td> <td>3# 1/2" G</td> <td>1 1/4"</td> </td>	E <td>60</td> <td>45</td> <td>M-19/21/25</td> <td>3# 1/2" G</td> <td>1 1/4"</td>	60	45	M-19/21/25	3# 1/2" G	1 1/4"
AW-22	W/HEATING	1st FLOOR	480	3	2	8	24.92	M <td>E <td>60</td> <td>45</td> <td>M-19/21/25</td> <td>3# 1/2" G</td> <td>1 1/4"</td> </td>	E <td>60</td> <td>45</td> <td>M-19/21/25</td> <td>3# 1/2" G</td> <td>1 1/4"</td>	60	45	M-19/21/25	3# 1/2" G	1 1/4"
AW-23	W/HEATING	1st FLOOR	480	3	2	8	24.92	M <td>E <td>60</td> <td>45</td> <td>M-19/21/25</td> <td>3# 1/2" G</td> <td>1 1/4"</td> </td>	E <td>60</td> <td>45</td> <td>M-19/21/25</td> <td>3# 1/2" G</td> <td>1 1/4"</td>	60	45	M-19/21/25	3# 1/2" G	1 1/4"
AW-24	W/HEATING	1st FLOOR	480	3	2	8	24.92	M <td>E <td>60</td> <td>45</td> <td>M-19/21/25</td> <td>3# 1/2" G</td> <td>1 1/4"</td> </td>	E <td>60</td> <td>45</td> <td>M-19/21/25</td> <td>3# 1/2" G</td> <td>1 1/4"</td>	60	45	M-19/21/25	3# 1/2" G	1 1/4"
AW-25														