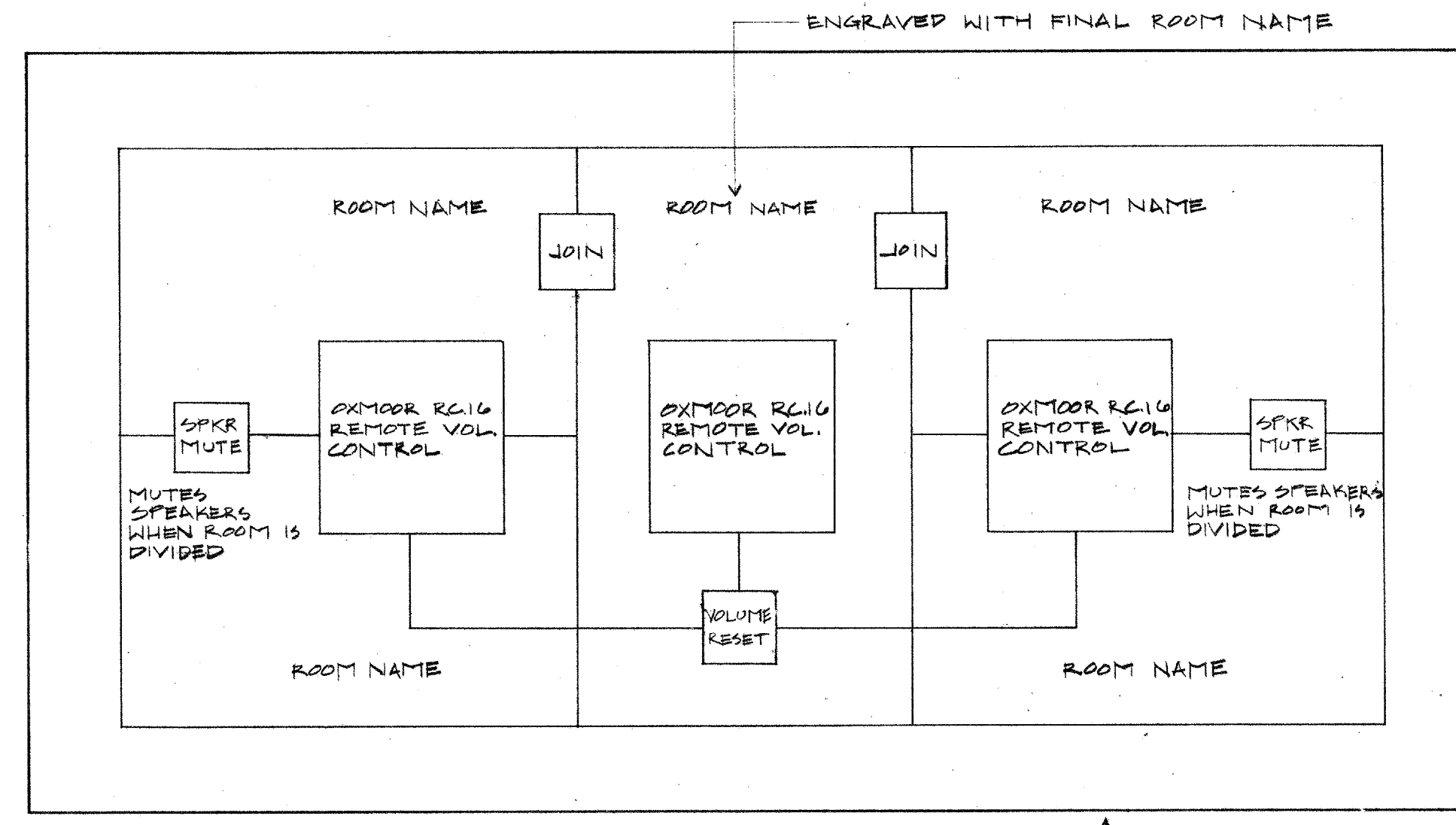
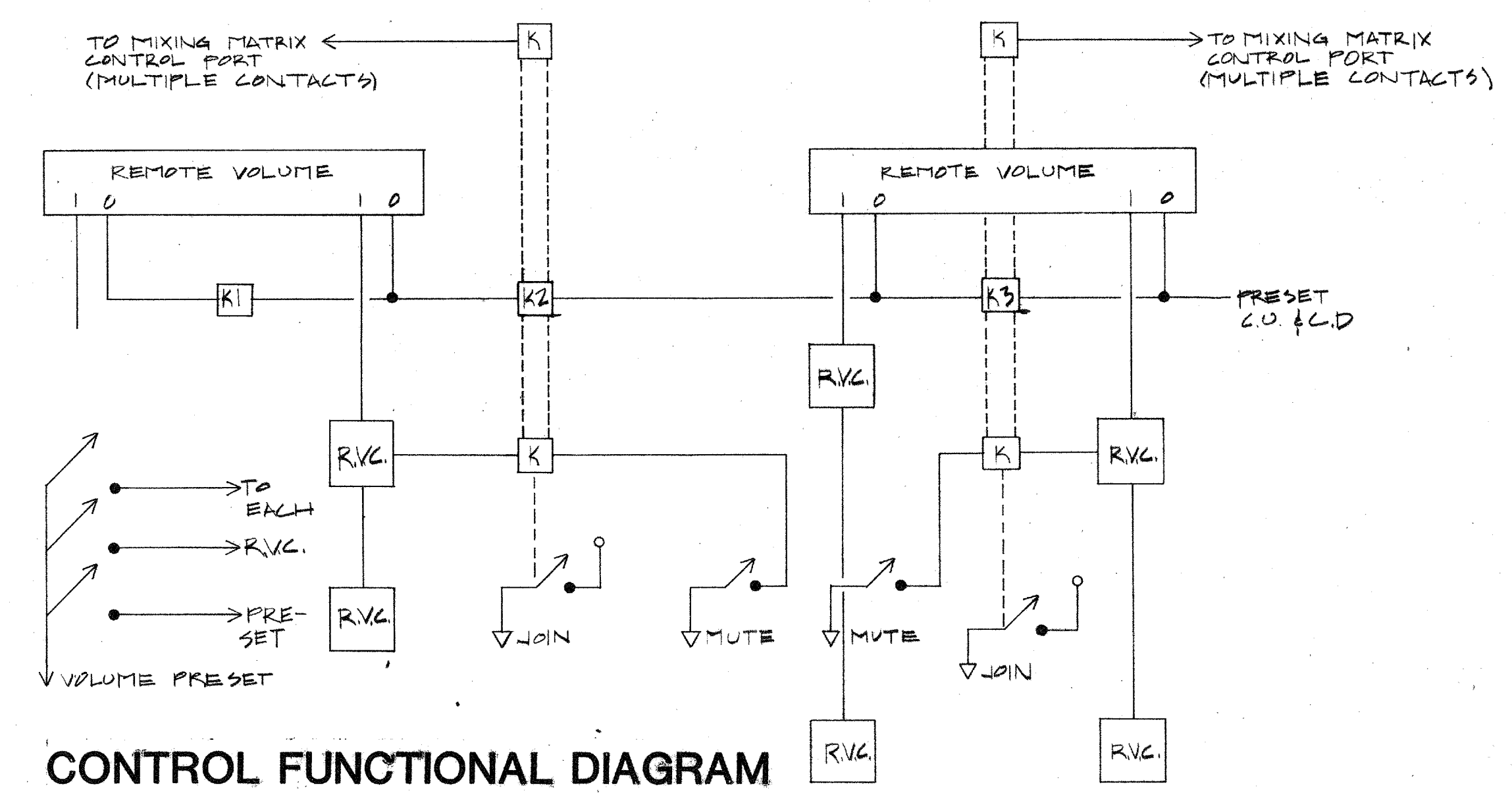


AUDIO FUNCTIONAL DIAGRAM



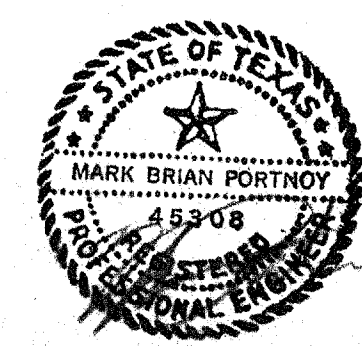
ROOM CONFIGURATION PANEL



CONTROL FUNCTIONAL DIAGRAM

Convention Center Sound System

Wrightson, Johnson, Hudson & Williams, Inc. August 1999
 Addison Civic Theatre & Conference Theatre 00231A



ACC ACT

OWNER	LANDSCAPE	STRUCTURAL	HISTORIAN	Issue	Category	Subcategory	Sheet
Town of Addison The Kallams Group 307-776-3417	CONINGHAM ARCHITECTS 2700 Fairmount Dallas, Texas 75201 214-855-5272	MEP MEP Systems 214-754-4741	MEP MEP Systems 214-754-4741	ALAN MASON 214-693-7822			
	THEATRE CONSULTANT Theatre Projects 203-431-3949	CIVIL Kurtz & Associates 214-690-3322	GRAPHICS Notestad Design 214-854-8978	ISSUE FOR BID 8-17-99			
	INTERIORS CRSS 793-652-2000						