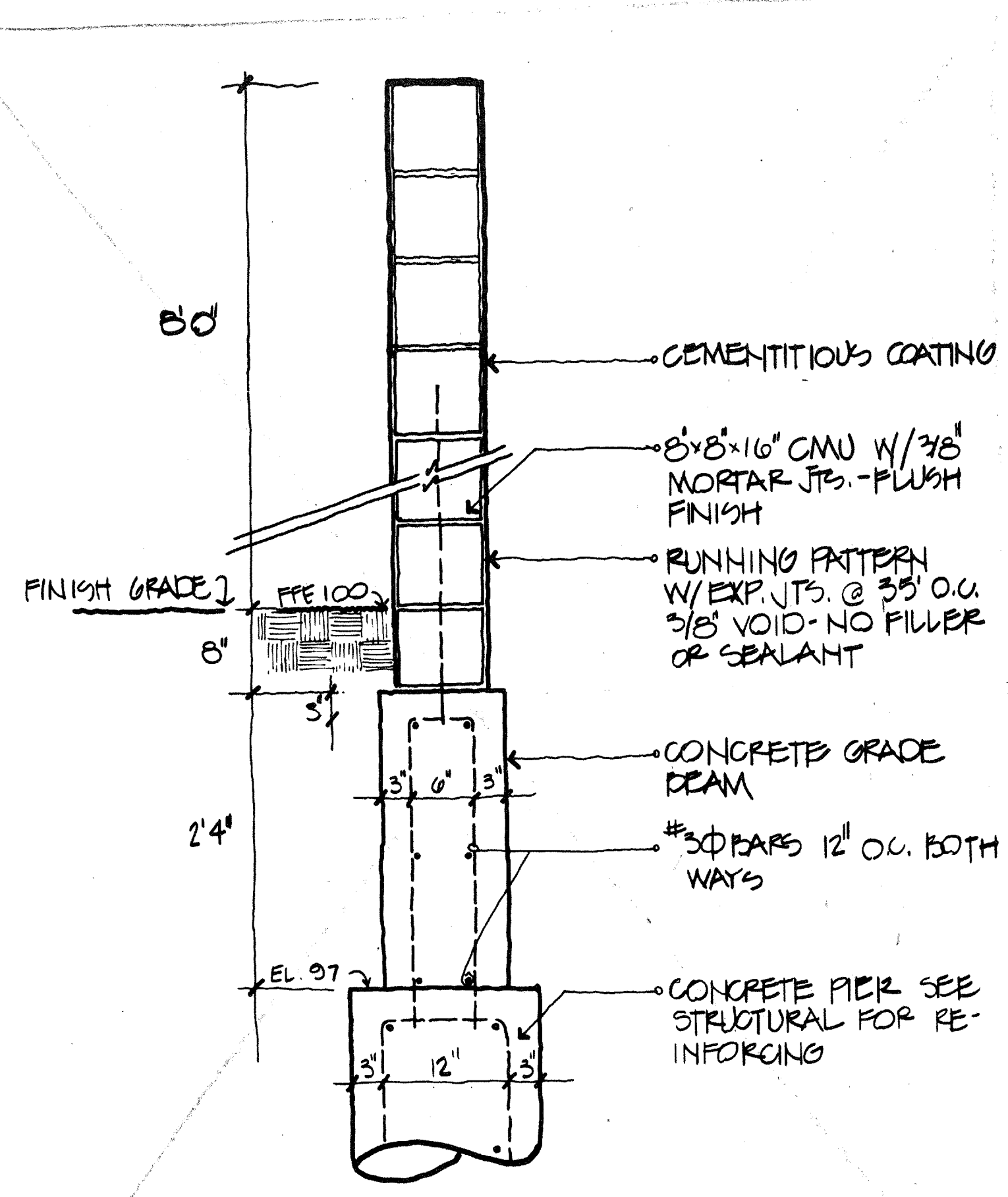
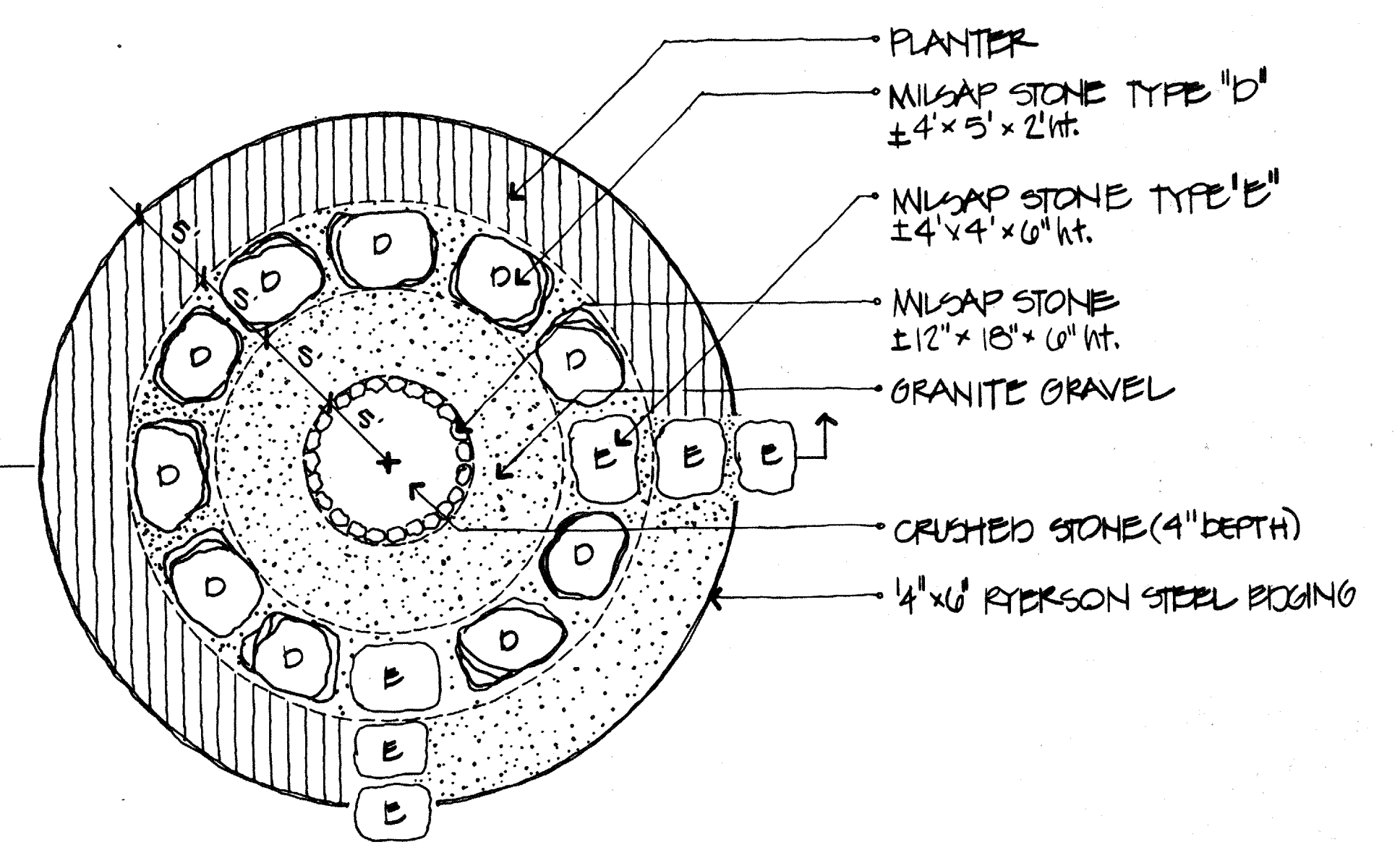
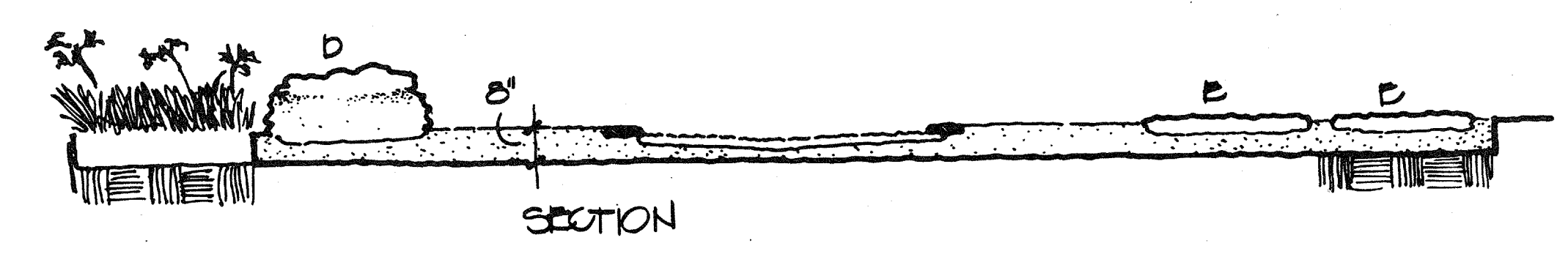


1 Decorative Stone @ Walk  
1"=1'0"

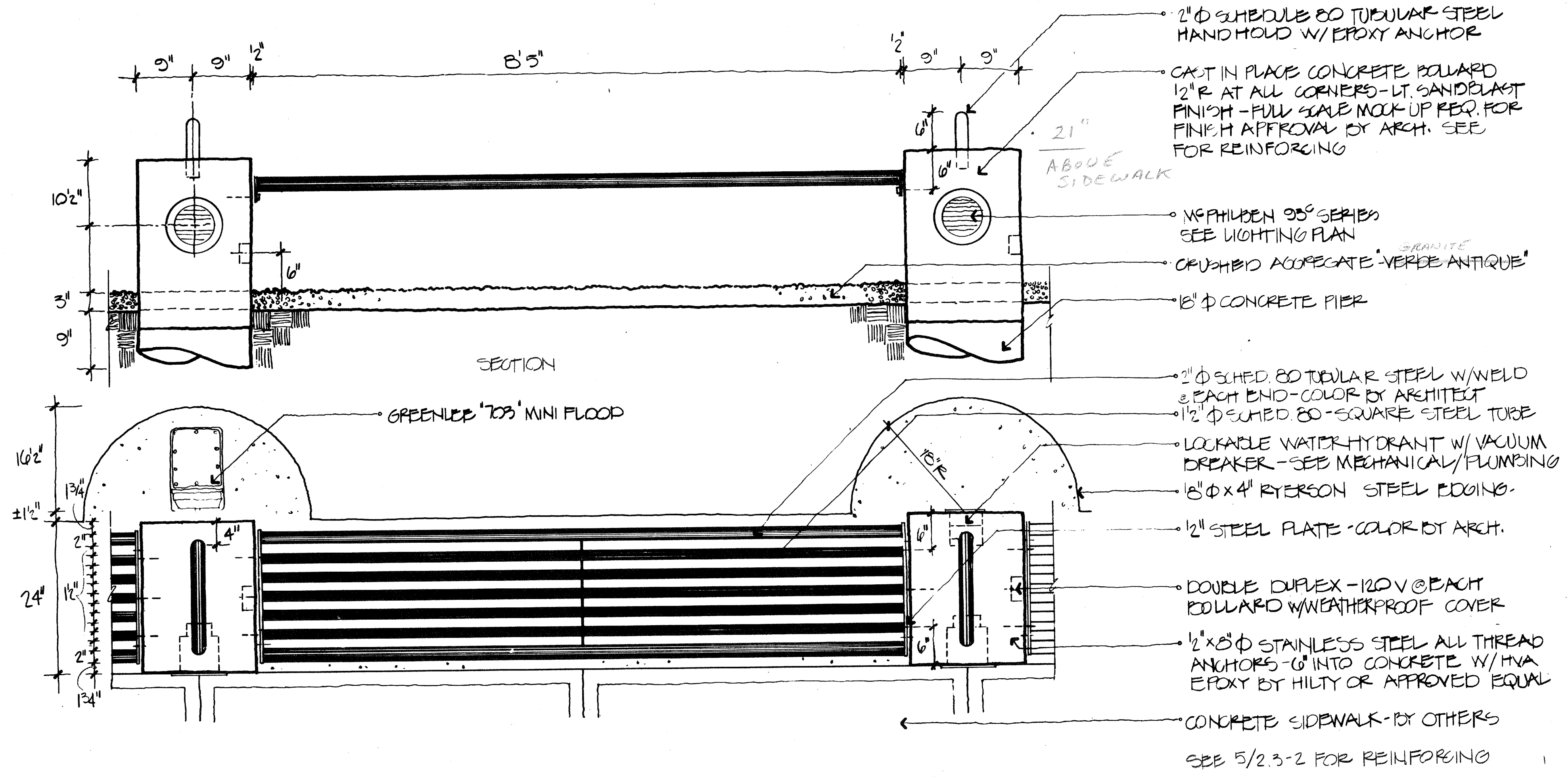


2 Concrete Block Wall  
1"=1'0"

REFER TO NOTE ON 2.2-7

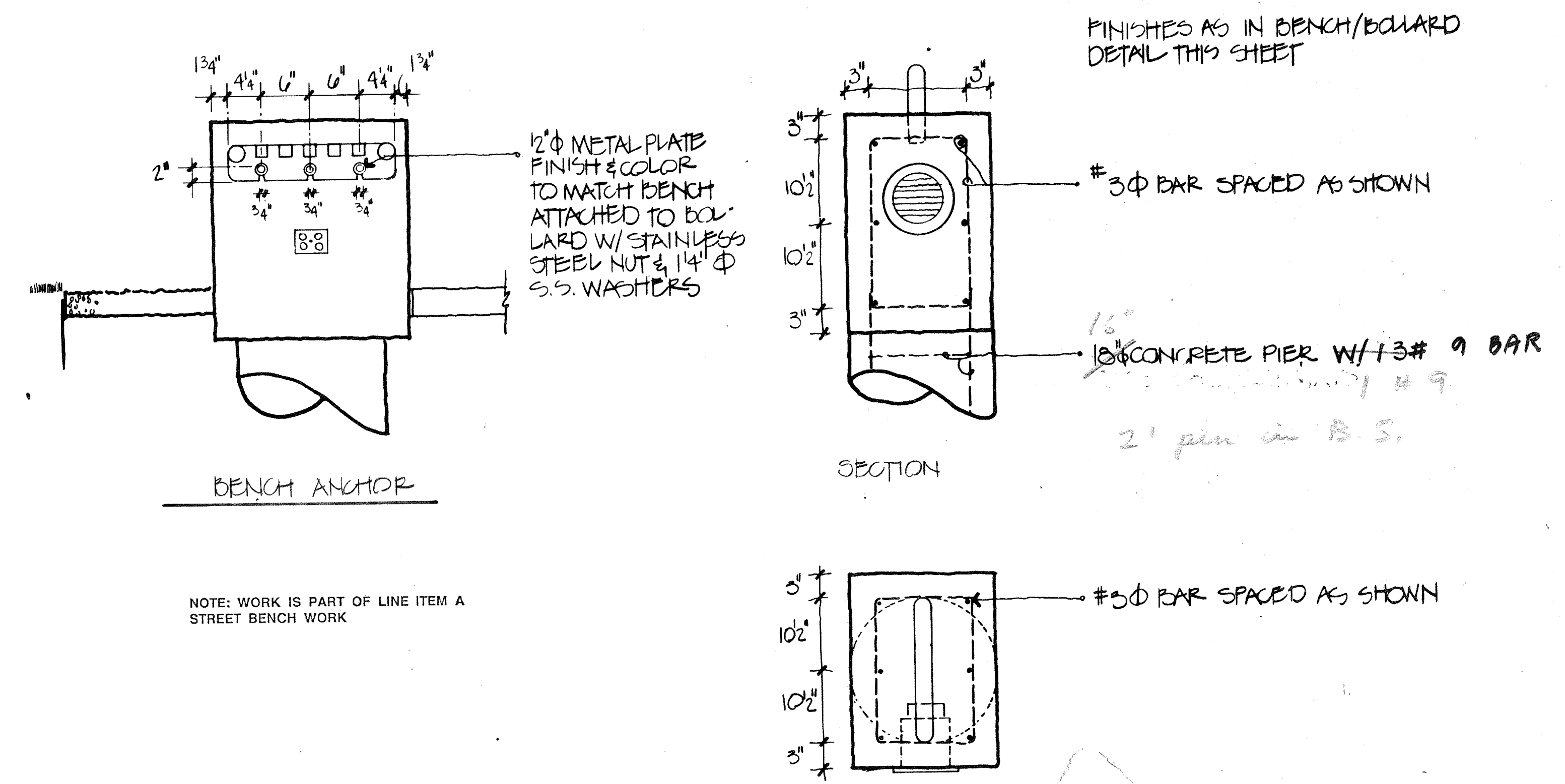


3 Bar-B-Q Pit N.I.C.  
1"=1'0"



4 Bollard Bench Details  
1"=1'0"

NOTE: WORK IS PART OF LINE ITEM A STREET BENCH WORK



5 Light Bollard

NOTE: WORK IS PART OF LINE ITEM A STREET BENCH WORK



ACC ADDISON ACT

OWNER	LANDSCAPE	STRUCTURAL	HISTORIAN	Issue	Category	Subcategory	Sheet
Town of Addison	The Kallans Group 317-776-1417	Ellisor Tanner 214-387-8333	Alan Mason 214-691-7862	ISSUE FOR BID 8-17-80	2	3	2
ARCHITECT	THEATRE CONSULTANT	M.E.P.	LIGHTING				
Cunningham Architects 2700 Farmcourt Dallas, Texas 75201 214-855-5272	Theatre Projects 203-431-3949	MEP Systems 214-754-4741	Pamela Hull Wilson 214-823-6542				
	INTERIORS	CIVIL	GRAPHICS				
	CRSS 713-552-2000	Kurtz & Associates 214-690-3322	Notstetad Design 214-954-9378				