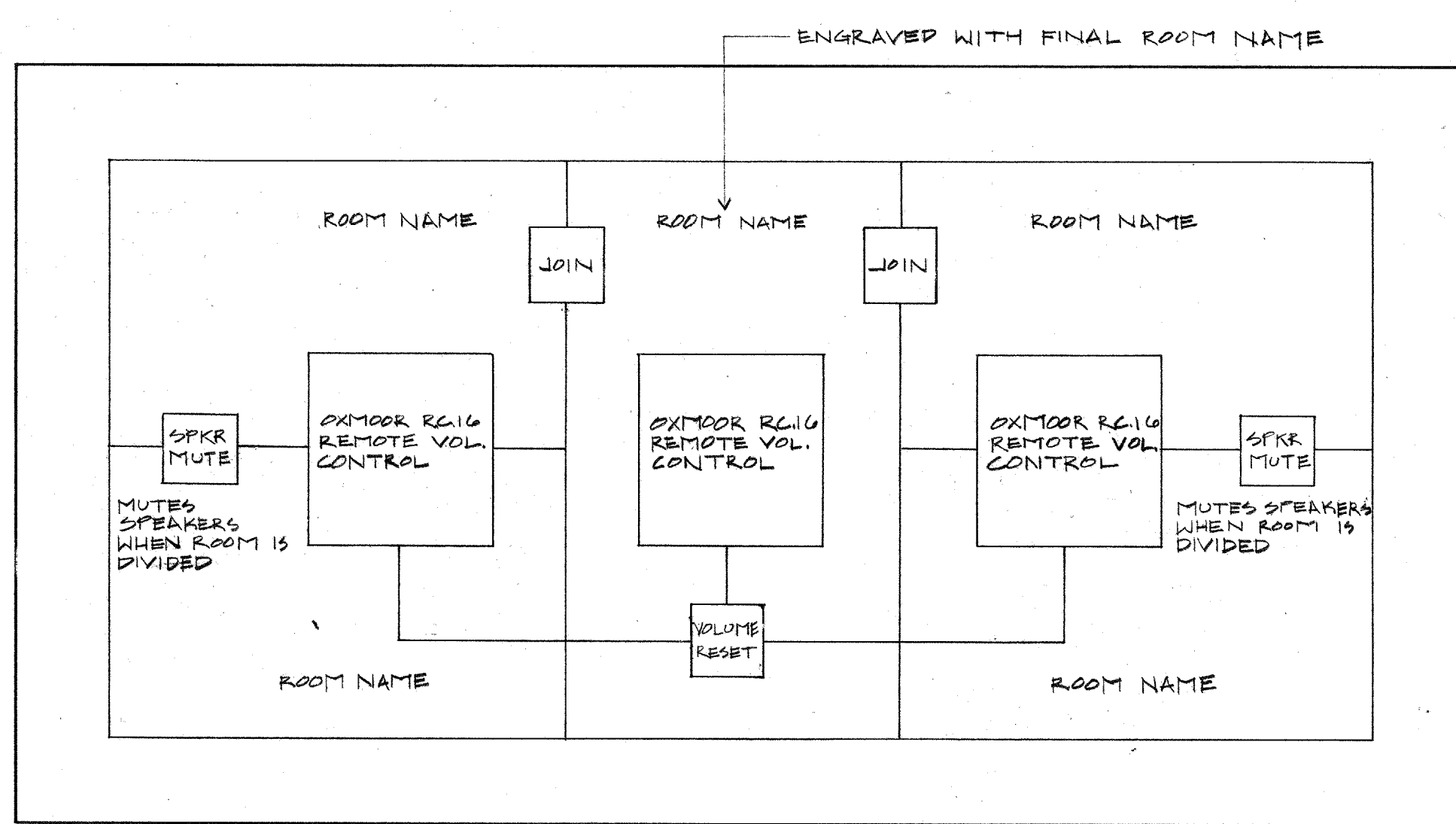
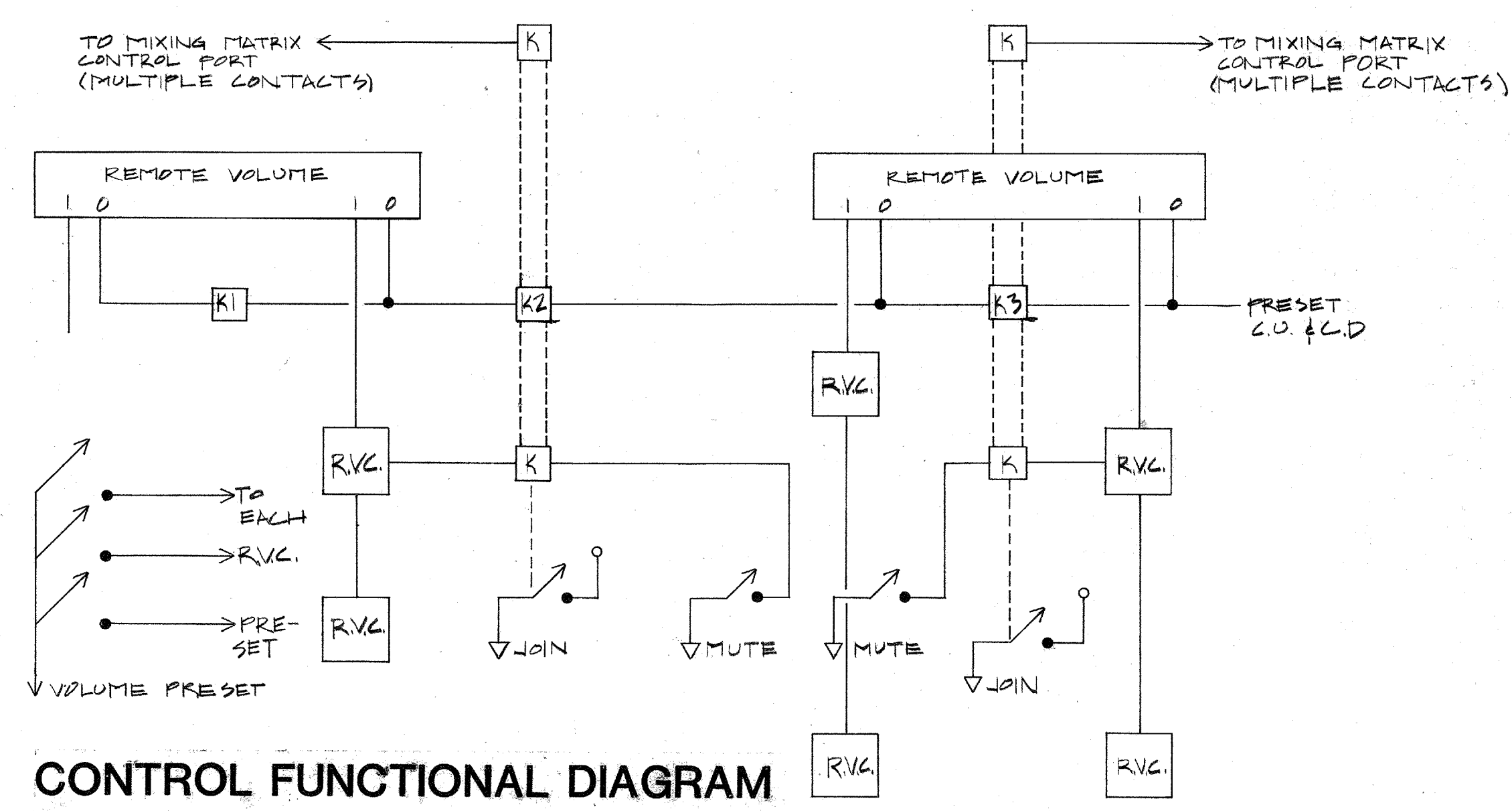


**AUDIO FUNCTIONAL DIAGRAM**



**ROOM CONFIGURATION PANEL**



**CONTROL FUNCTIONAL DIAGRAM**

**Convention Center Sound System**

Wightson, Johnson, Haddon & Williams, Inc. August 1990  
 Addison Civic Theatre & Conference Theatre 90031A



**ACC ACT**

OWNER	LANDSCAPE	STRUCTURAL	HISTORIAN	Issue	Category	Subcategory	Sheet
Town of Addison	The Kellars Group 317-776-1417	Elliot Turner 214-387-8393	Alan Mason 214-691-7182				
ARCHITECT	THEATRE CONSULTANT	M.E.P.	LIGHTING	ISSUE FOR BID 8-17-96			
Cunningham Architects 2210 Fairmount Dallas, Texas 75201 214-855-5272	Theatre Projects 203-431-3949	MEP Systems 214-754-4741	Pamela Hull Wilson 214-823-6542				
INTERIORS	CIVIL	GRAPHICS					
CRSS 719-552-2000	Kurtz & Associates 214-690-3322	Notstetad Design 214-954-1978					