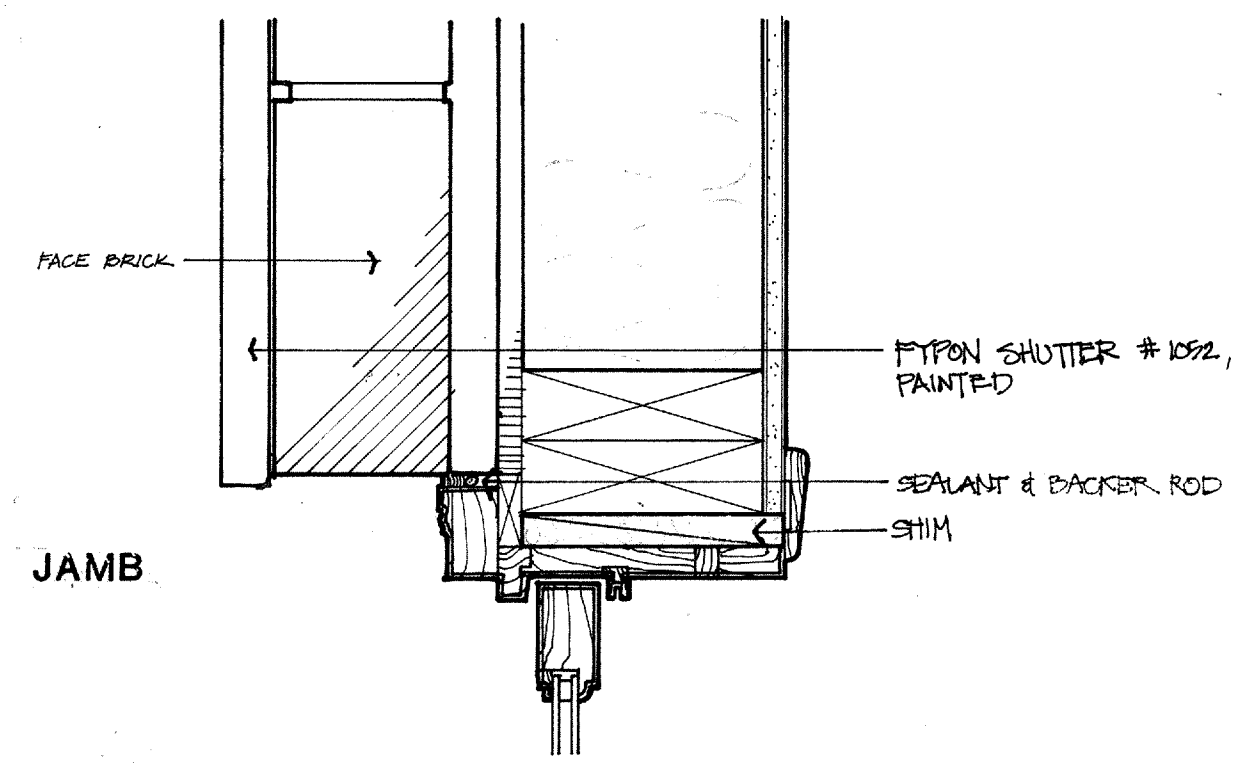
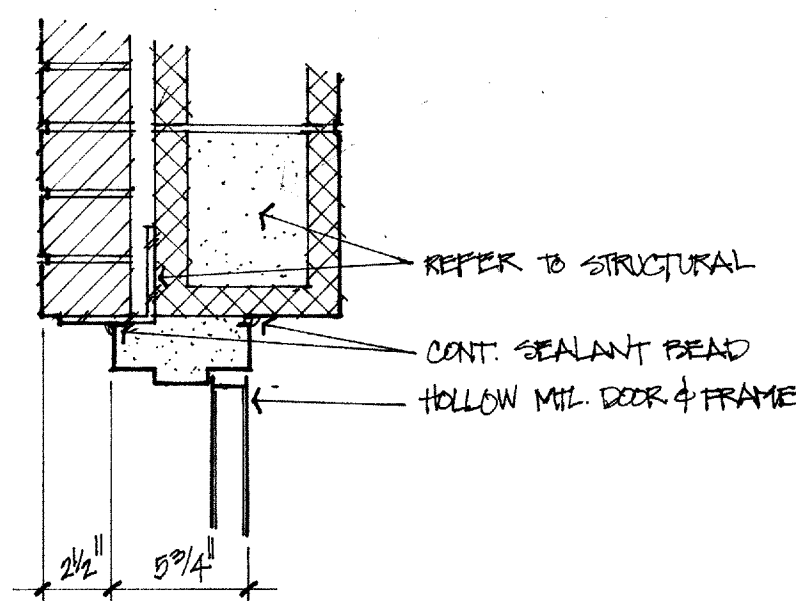


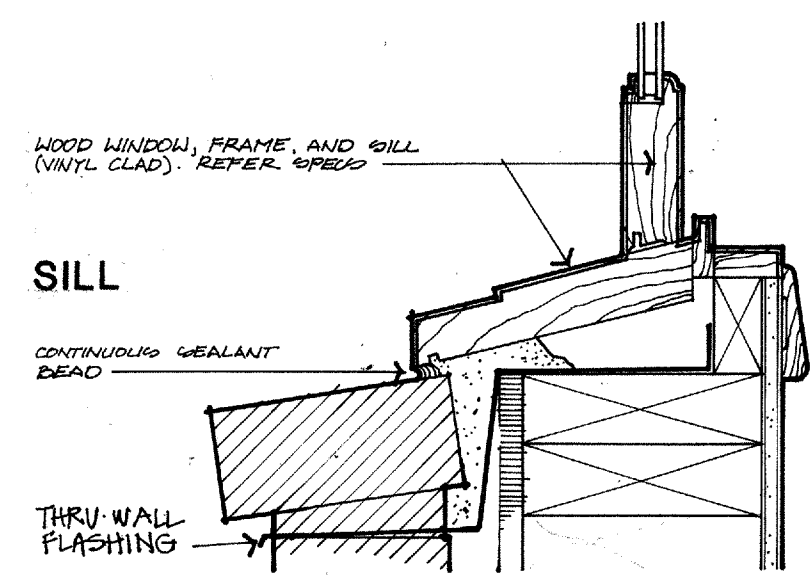
HEAD



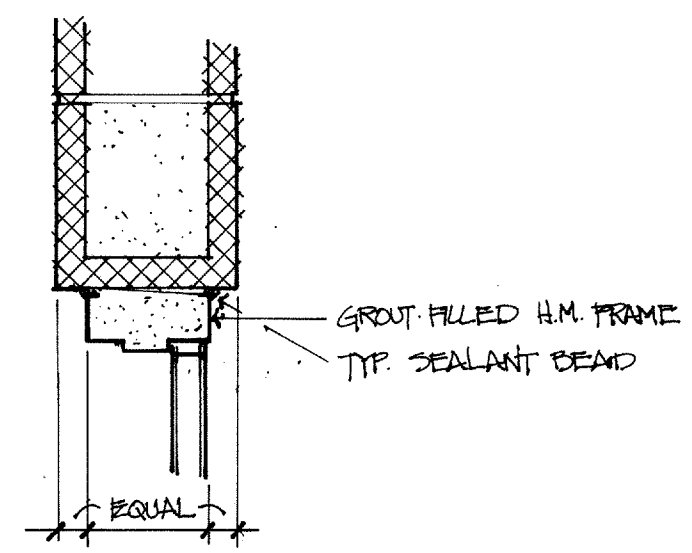
JAMB



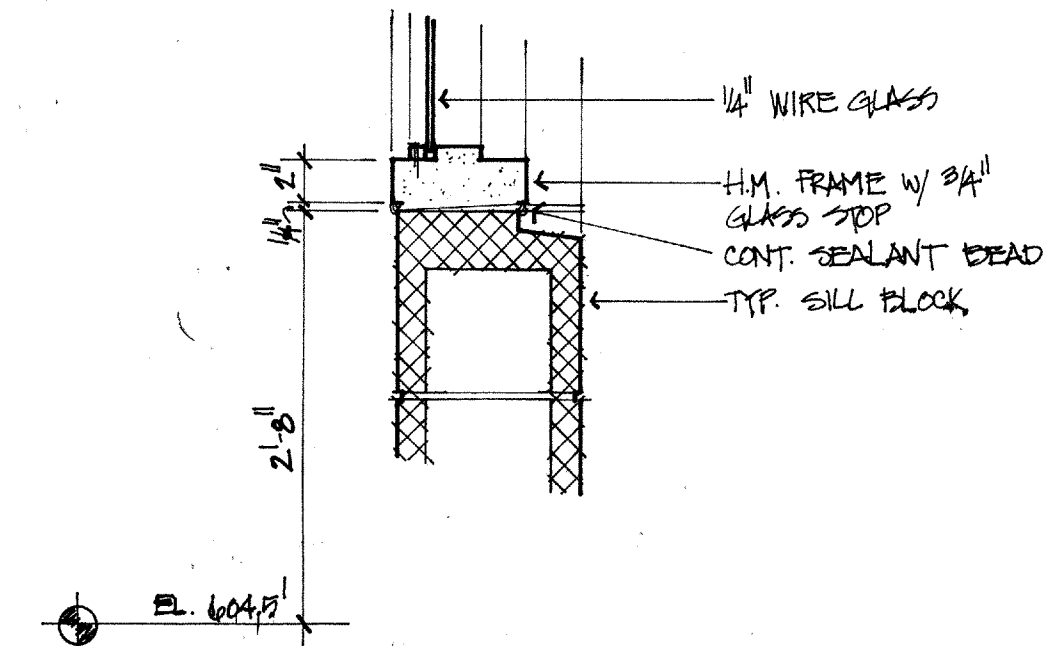
3 HOLLOW MTL. AT EXT. WALL
1/2" = 1'-0"



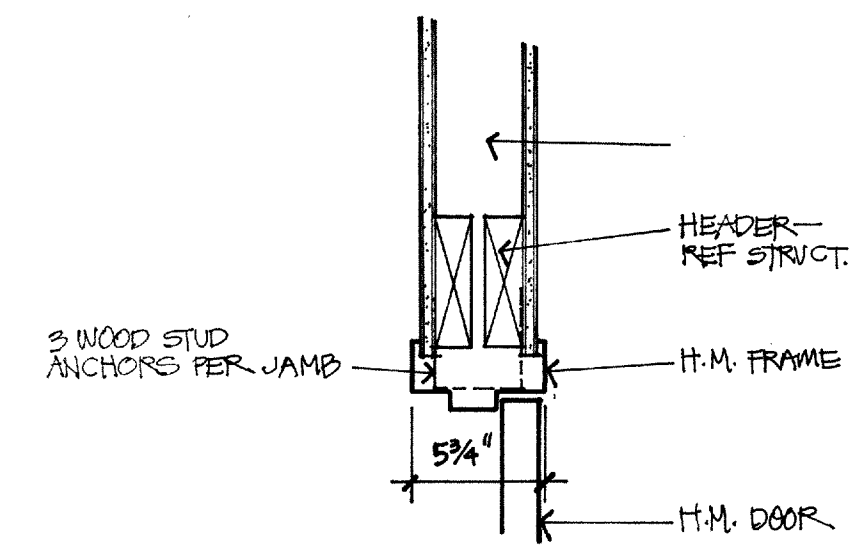
4 DOUBLE HUNG DETAIL
1/2" = 1'-0"



5 HOLLOW MTL. AT CMU
1/2" = 1'-0"
NOTE: HEAD & JAMB SIM.



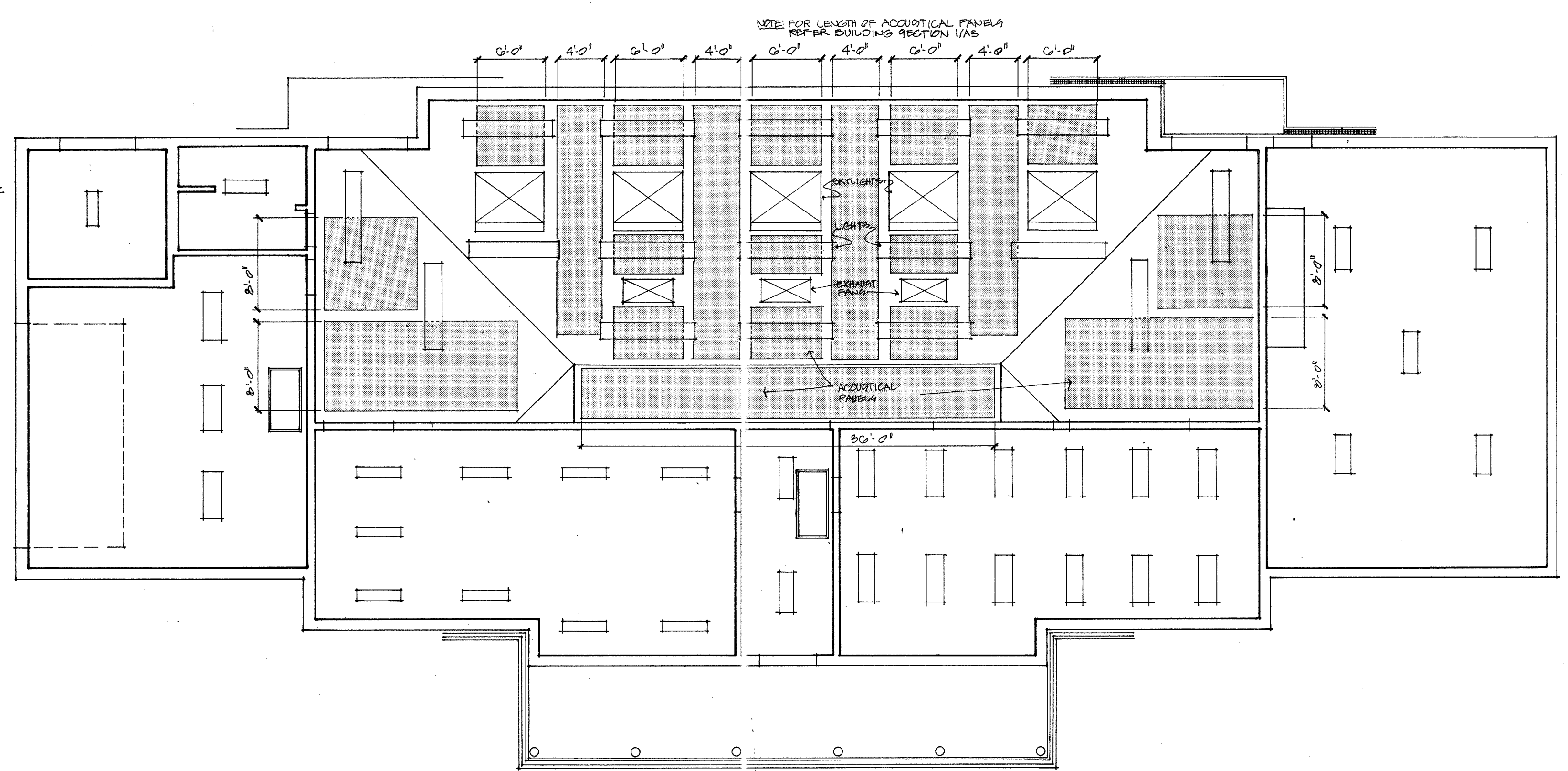
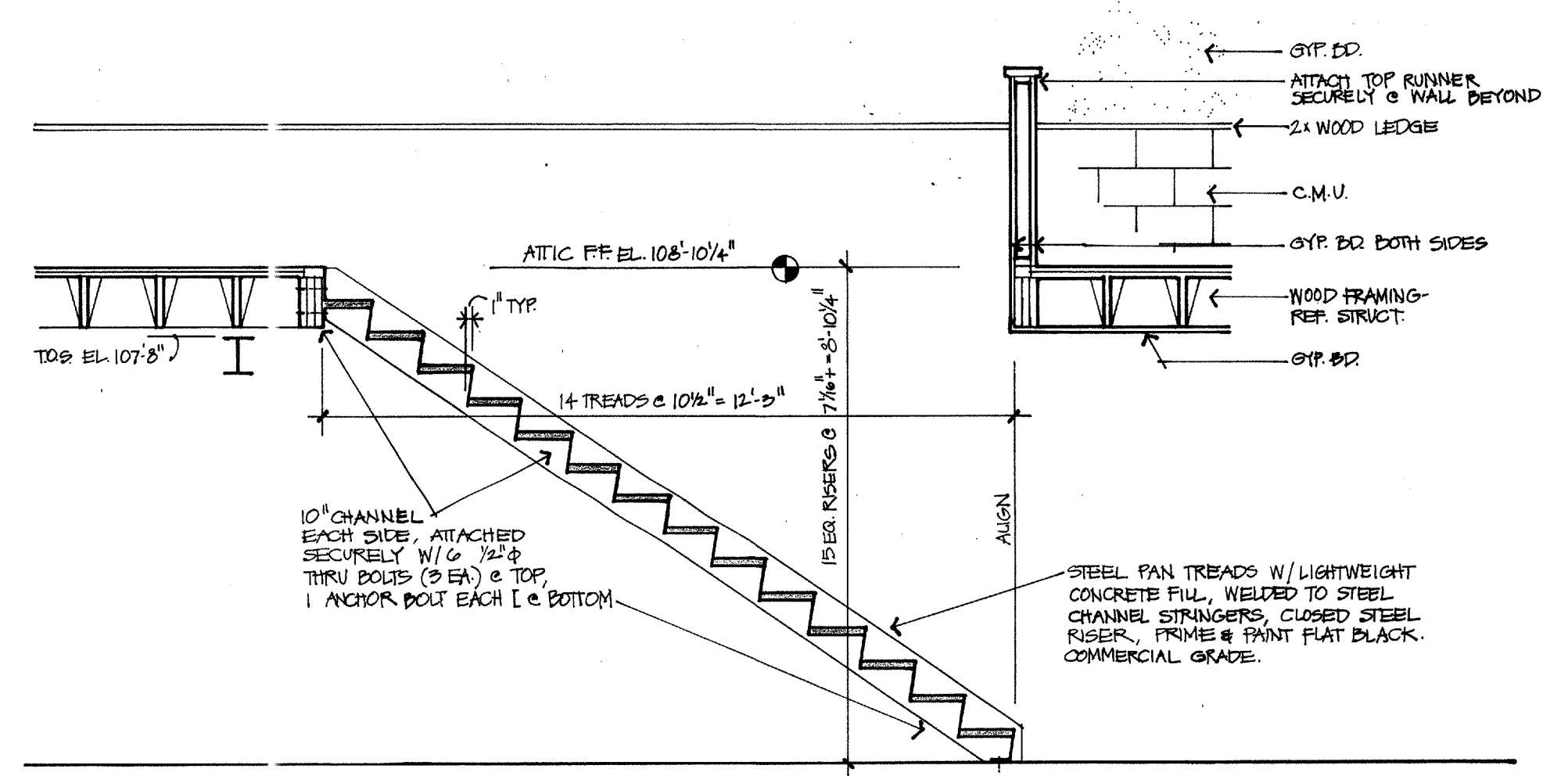
7 WINDOW AT SILL
1/2" = 1'-0"



8 HOLLOW MTL. AT 2" x 4" WALL
1/2" = 1'-0"
NOTE: HEAD SHOWN, JAMB SIMILAR.

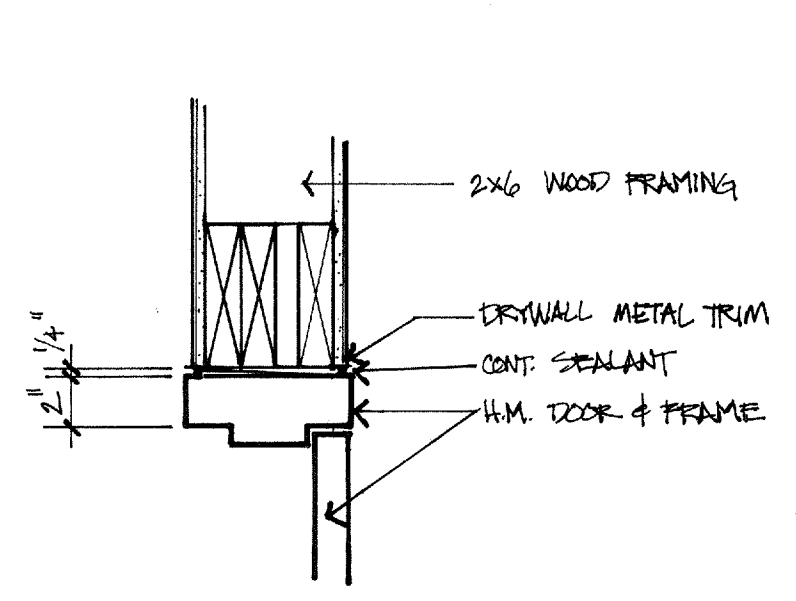
1 HEAD/JAMB AT ENTRY DOOR
1/2" = 1'-0"

2 SECTION AT STAIRS
1/2" = 1'-0"

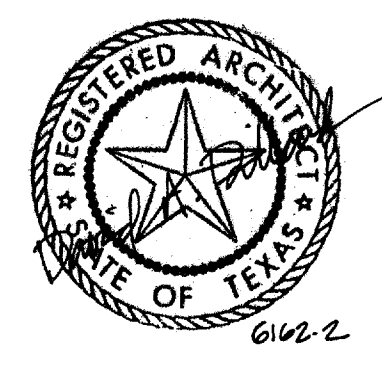
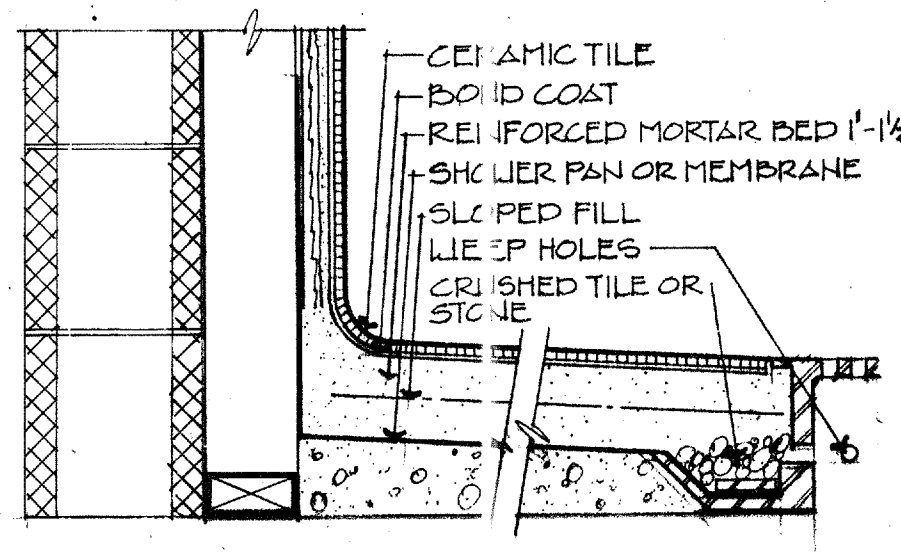


6 REFLECTED CEILING PLAN
1/8" = 1'-0"

9 HOLLOW MTL. AT 2" x 6" WALL
1/2" = 1'-0"
NOTE: HEAD SHOWN, JAMB SIMILAR.



10 TILE AT SHOWER
1/2" = 1'-0"



No.	Revision	By	Date
TOWN OF ADDISON DALLAS COUNTY, TEXAS			
CELESTIAL ROAD PUMP STATION			
Architectural Consultants:		REFLECTED CEILING PLAN	
DILLARD ARCHITECTS INC.		DETAILS	
GINN, INC.			
Consulting Engineers Dallas, Texas			
Designed -	Drawn - DAD	Date - JANUARY, 1987	Job No. - 217
Approved -	Checked -	Scale -	Sheet A4 of