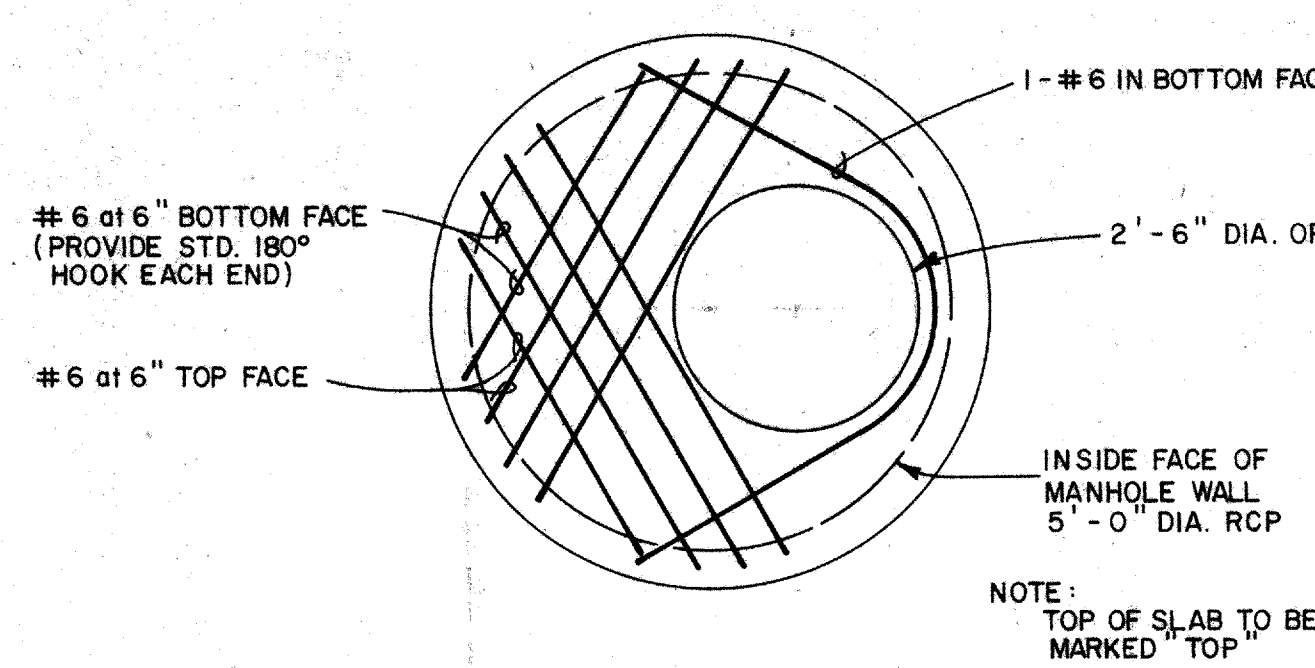
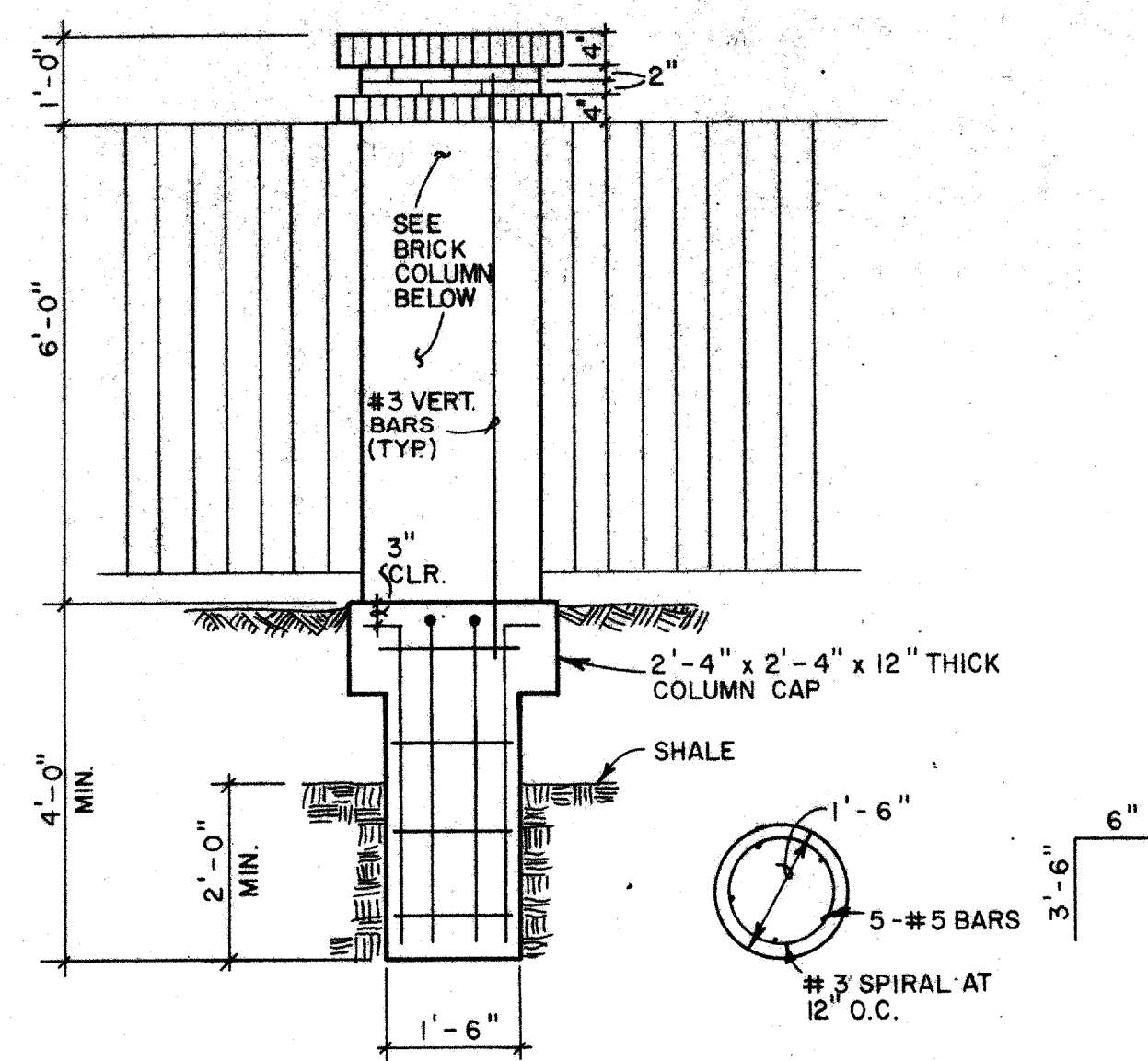


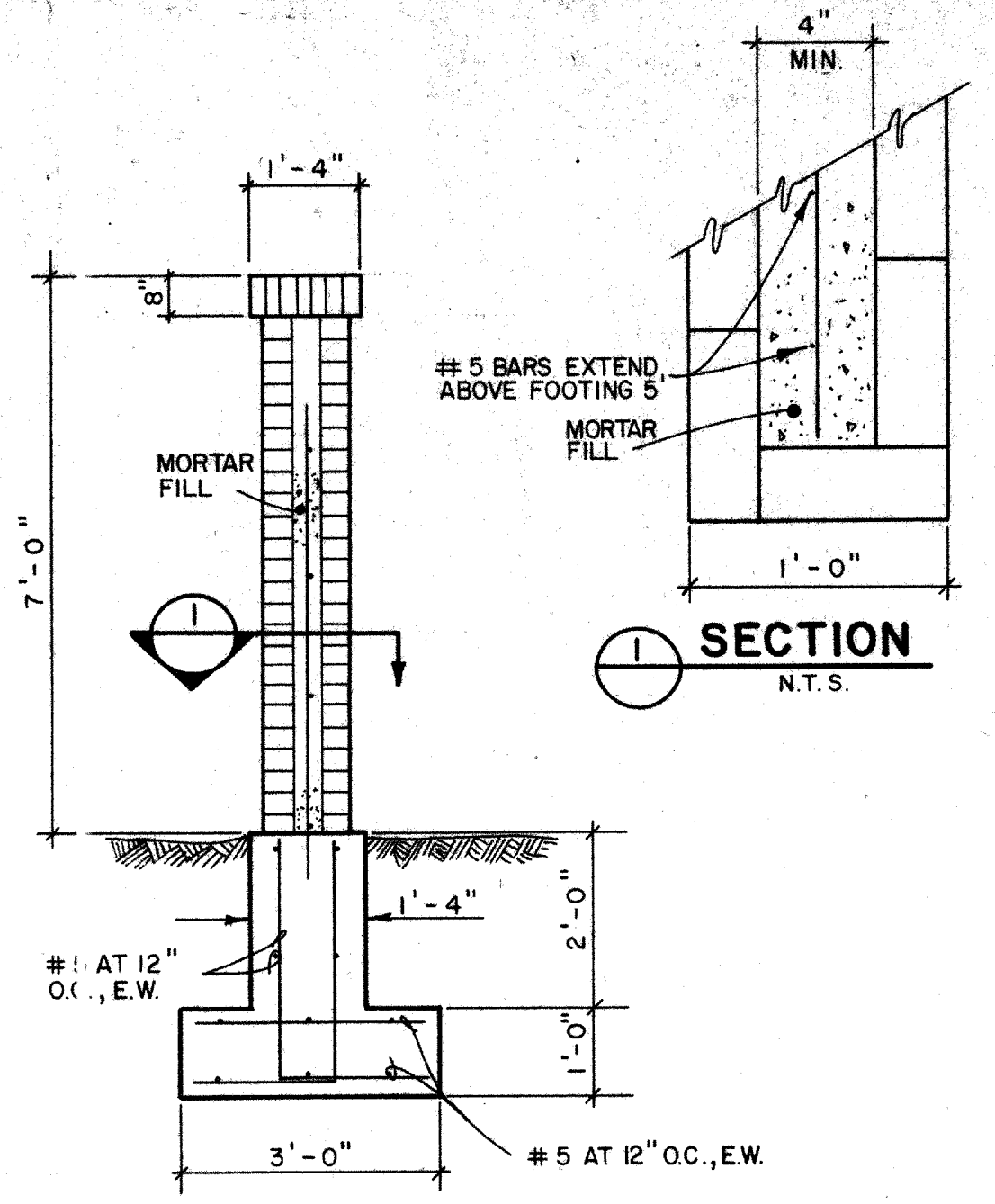
24" VALVE VAULT
SCALE - 1/2" = 1'-0"



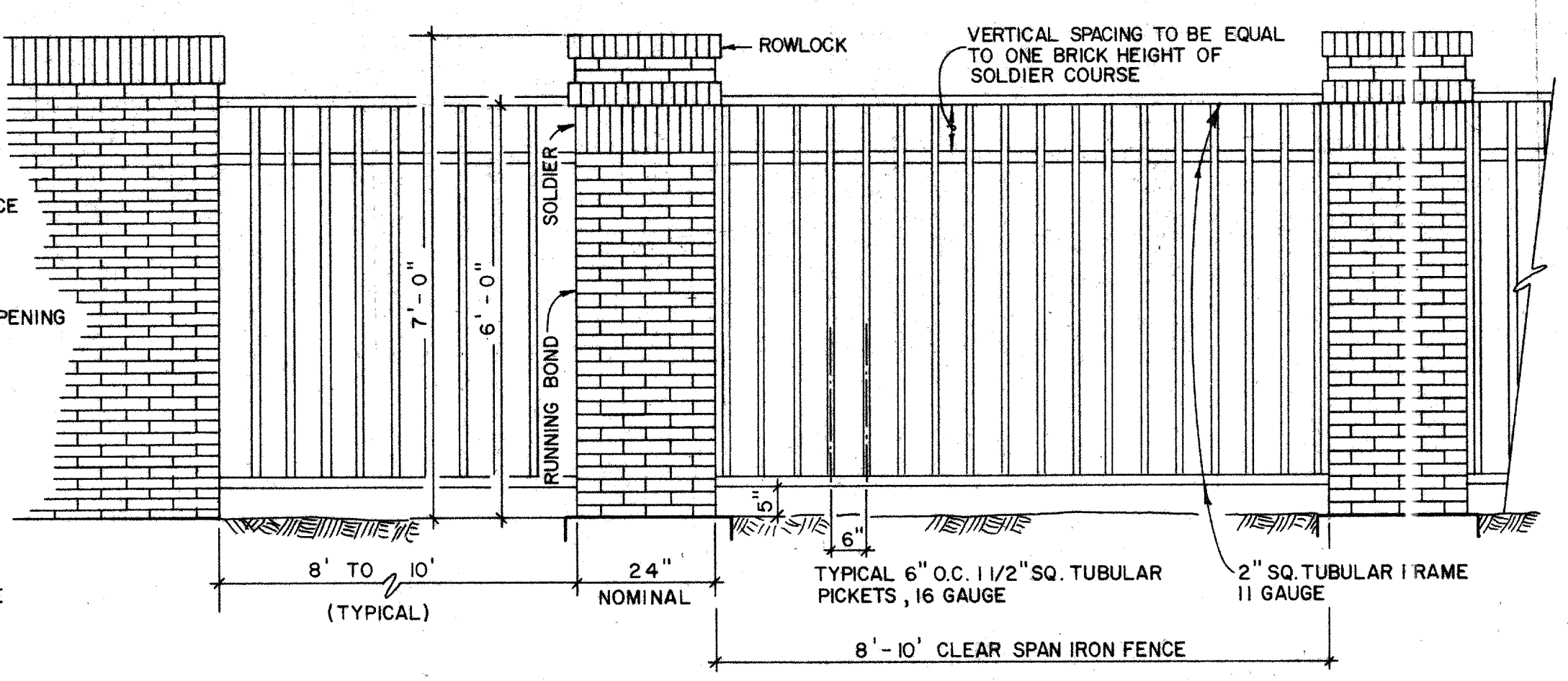
TOP SLAB REINFORCING PLAN
SCALE - 1/2" = 1'-0"



BRICK COLUMN FOOTING
SCALE - 1/2" = 1'-0"

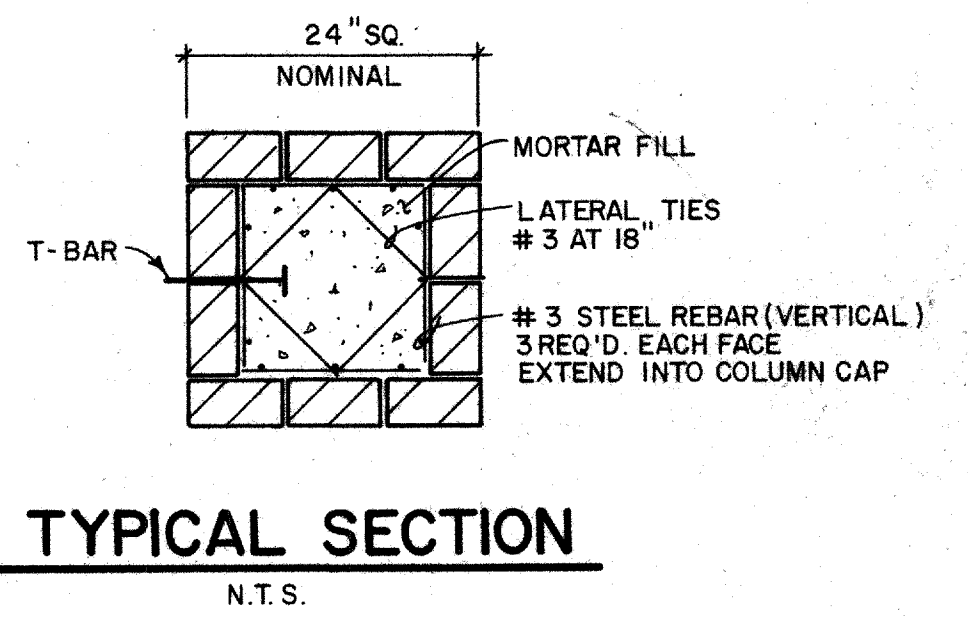


BRICK WALL FOOTING
SCALE - 1/2" = 1'-0"

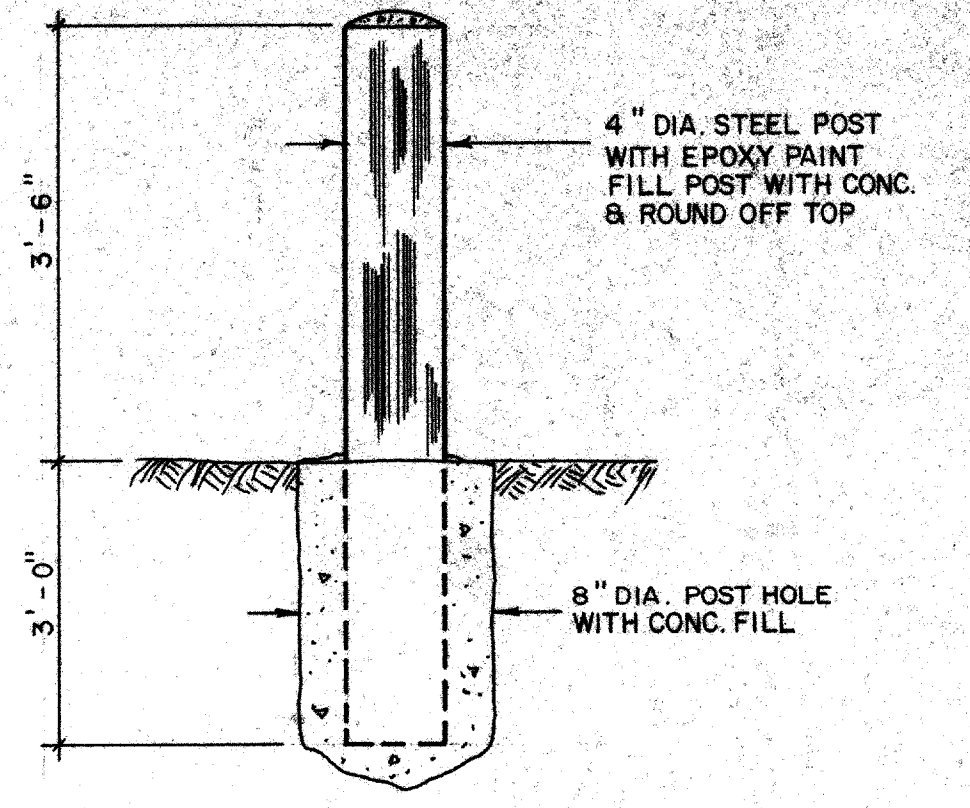


REINFORCED BRICK COLUMNS & IRON FENCE
SCALE - 1/2" = 1'-0"
TYPICAL ELEVATION

- NOTES:**
1. Dimensions: All nominal
 2. Brick: To match brick of pump station.
 3. Mortar: Type 'N', struck joints. Not to exceed 1/2".
 4. Iron: Must have full depth welds. All weld spots ground smooth. 2 shop coats galvanized primer. 2 coats semigloss - Addison brown.
 5. Bids: Iron & brick fencing to be bid from site layout sheet.
 6. 'T' Bar Connectors:
 - a. The iron contractor shall furnish 2 (two) Tbars per side of iron sections to brick contractor.
 - b. Locations to be field adjusted and coordinated by both iron and brick contractors and approved by Engineer and Town of Addison Landscape Architect.
 8. Elevation Changes: All fencing elevation changes shall occur at fence and column connections. Final locations to be approved by Engineer and Town of Addison Landscape Architect.

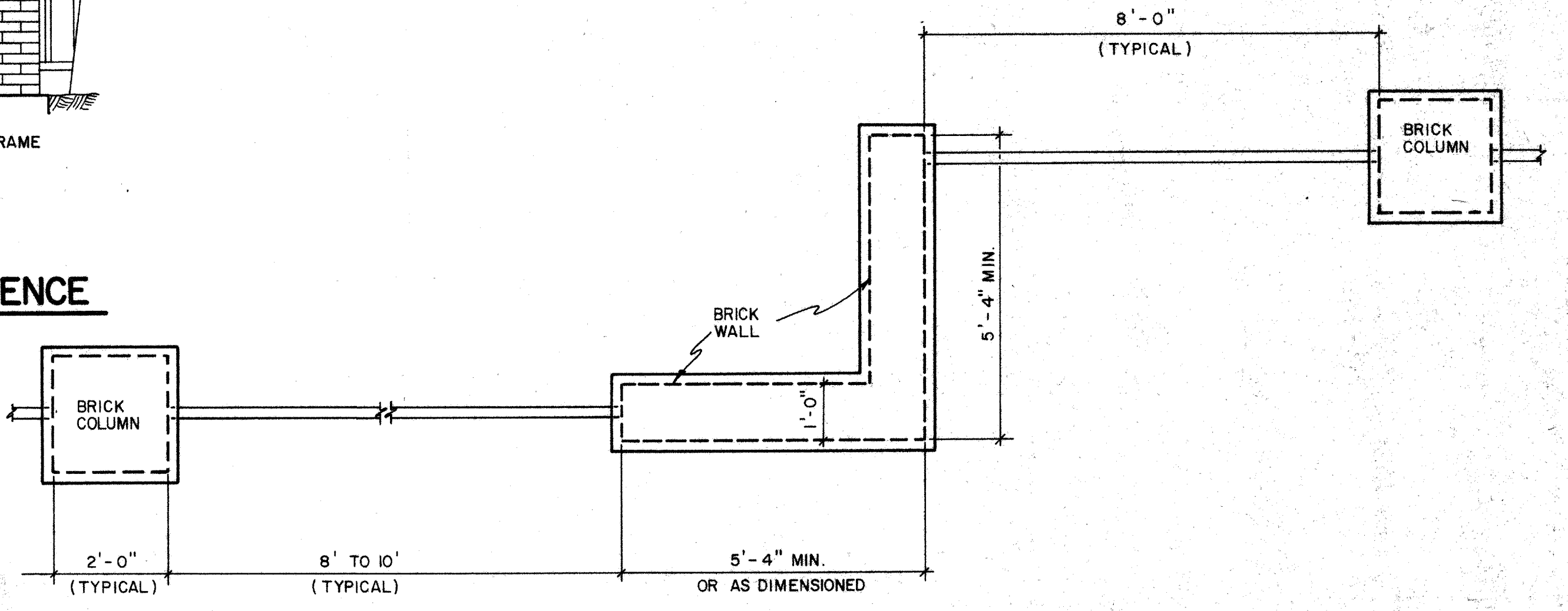


TYPICAL SECTION
N.T.S.



BOLLARD DETAIL
N.T.S.

- GENERAL NOTES - IRON GATES**
1. The entrance and exit gates shall be motor operated and shall be designed to match the iron fence along the front of the property as shown on the plans.
 2. The entrance gate and hardware shall span a 24'-0" opening between the brick walls. The exit gate and hardware shall span a 18'-0" opening between two brick columns.
 3. The entrance gate shall be operated from a nine button digital keyboard mounted on a post located on the left-hand side of the drive. The keyboard shall allow for a 4-number code which can be changed by Owner. The gate shall remain open until the entering vehicle passes over a loop detector located south of the gate.
 4. The exit gate shall open automatically when a vehicle drives over a loop detector located inside the fence area. The gate shall close automatically after the exiting vehicle passes over a loop detector located outside the gate.
 5. The Contractor shall submit shop drawings on the gates, gate operators, security code system, and loop detectors.



TYPICAL PLAN AT TURNS
SCALE - 1/2" = 1'-0"



No.	Revision	By	Date
TOWN OF ADDISON DALLAS COUNTY, TEXAS			
CELESTIAL ROAD PUMPING STATION			
MISC. DETAILS - SITE WORK			
GINN, INC. Consulting Engineers Dallas, Texas			
Designed - R.C.H.	Drawn - B.S.	Date - JAN., 1987	Job No - 217
Approved - HWG	Checked - G.A.F.	Scale - AS SHOWN	Sheet - C-11