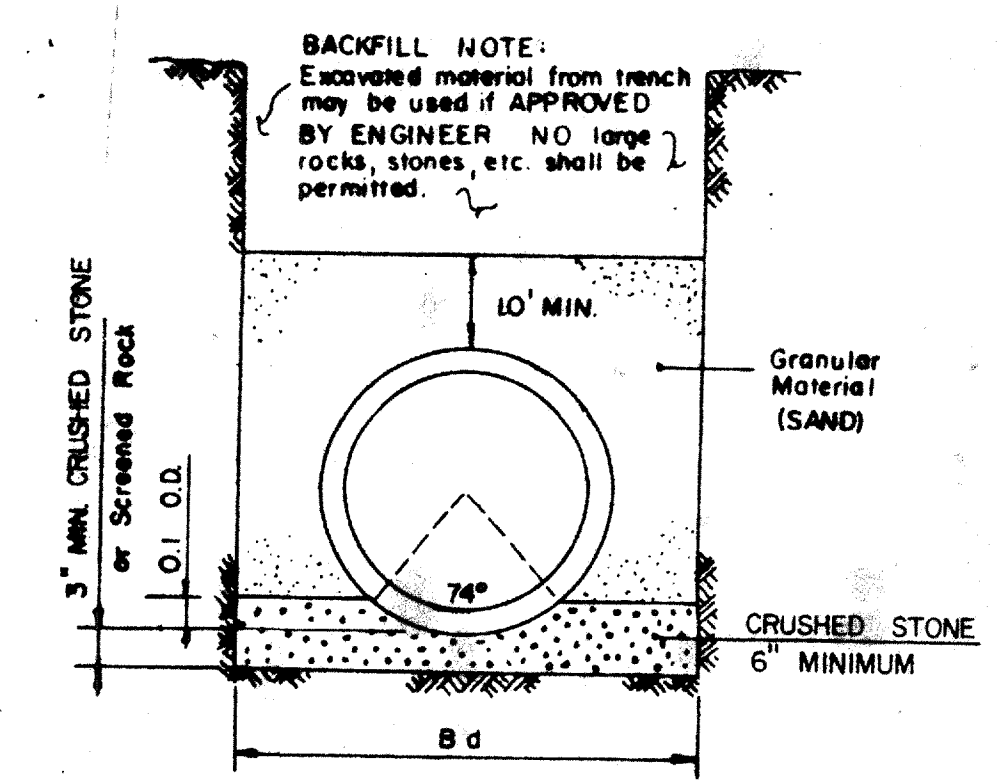
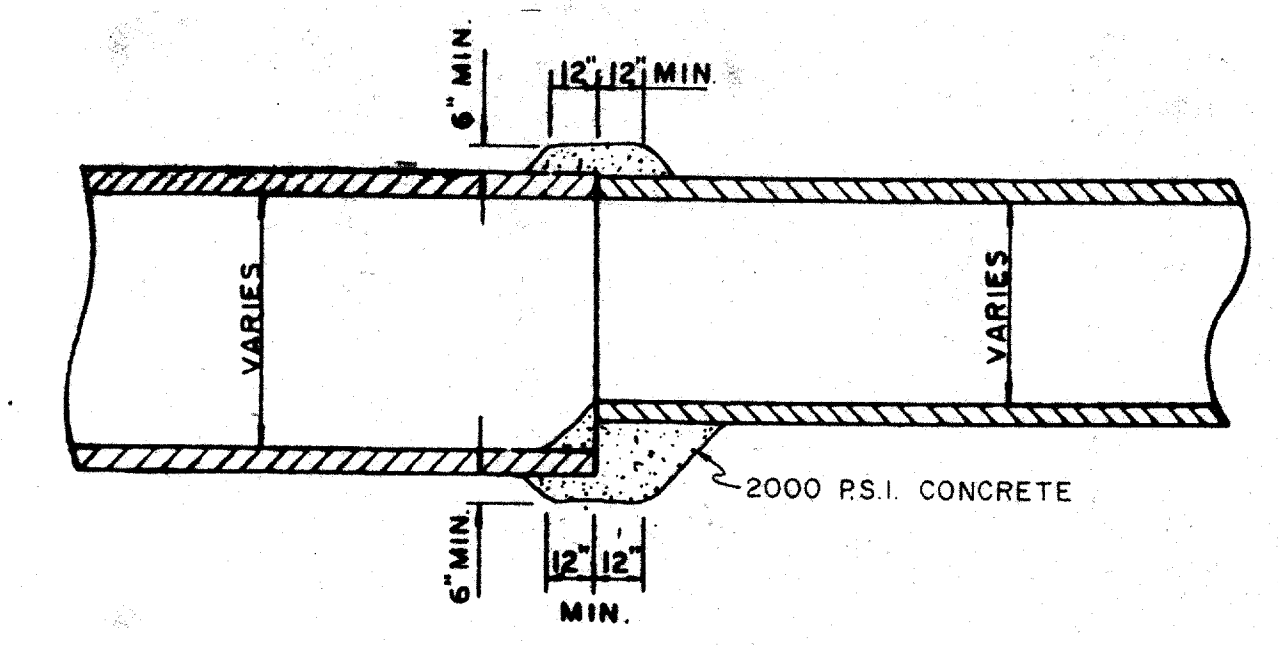


PLAN - STANDARD INLET

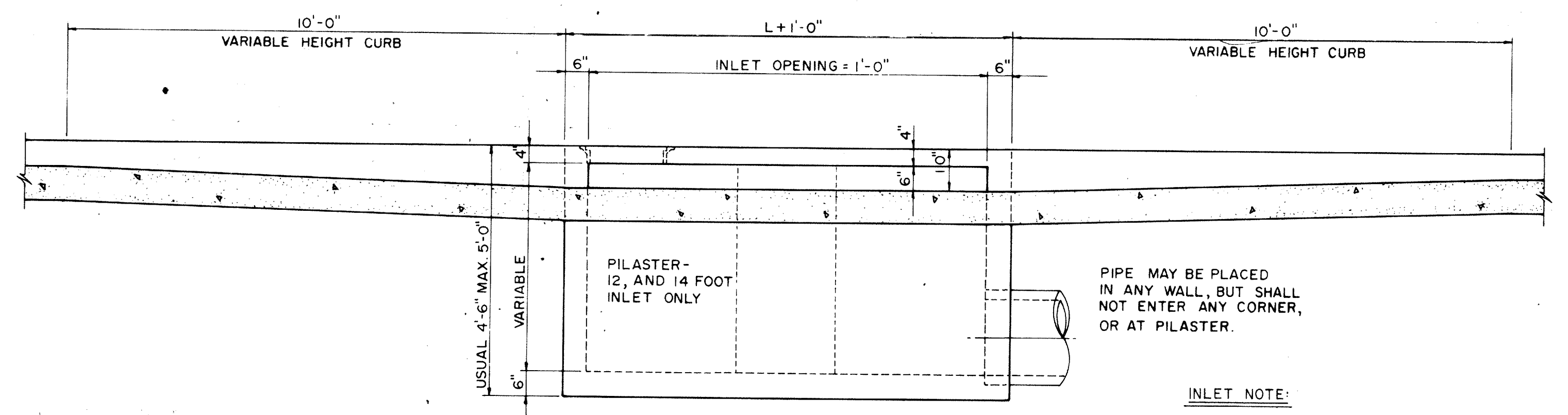
STORM SEWER EMBEDMENT					
PIPE DIAM.		B d	CU. YDS. Per 100 L.F.		
I.D.	O.D.		STONE	CRUSHED STONE	GRANULAR MATERIAL
15"	19"	39"	4.13	22.28	
18"	22.5"	42"	5.13	25.15	
21"	26"	45"	5.76	28.03	
24"	29.5"	48"	6.42	30.94	
27"	33"	51"	7.11	33.86	
30"	37"	54"	7.85	36.72	
33"	40.5"	57"	8.59	39.64	
36"	44"	60"	9.6	42.58	
39"	47.5"	63"	10.6	45.53	
42"	51"	66"	10.99	48.51	
48"	58"	72"	12.2	54.51	
54"	65"	78"	14.57	60.57	
60"	72"	84"	16.53	66.71	
66"	79"	90"	18.0	72.92	
72"	86"	96"	20.9	79.19	
78"	93"	102"	23.08	85.53	
84"	100"	108"	25.9	91.95	
90"	108.5"	115"	28.7	99.02	
96"	114"	120"	30.4	104.98	
102"	122.5"	129"	34.6	118.41	



STORM SEWER EMBEDMENT

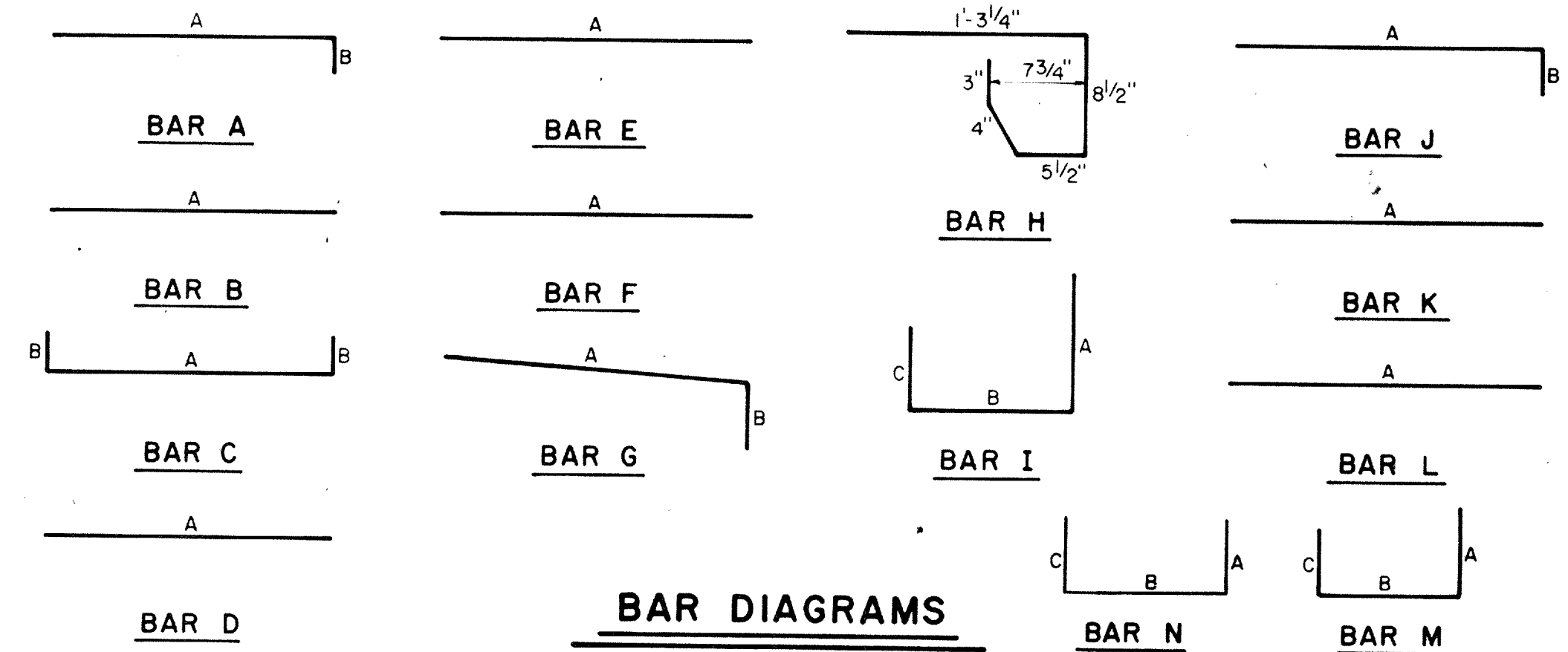


DETAIL OF CONCRETE COLLAR FOR PIPE CONNECTIONS



4, 6, 8, 10, 12, AND 14 FOOT INLETS

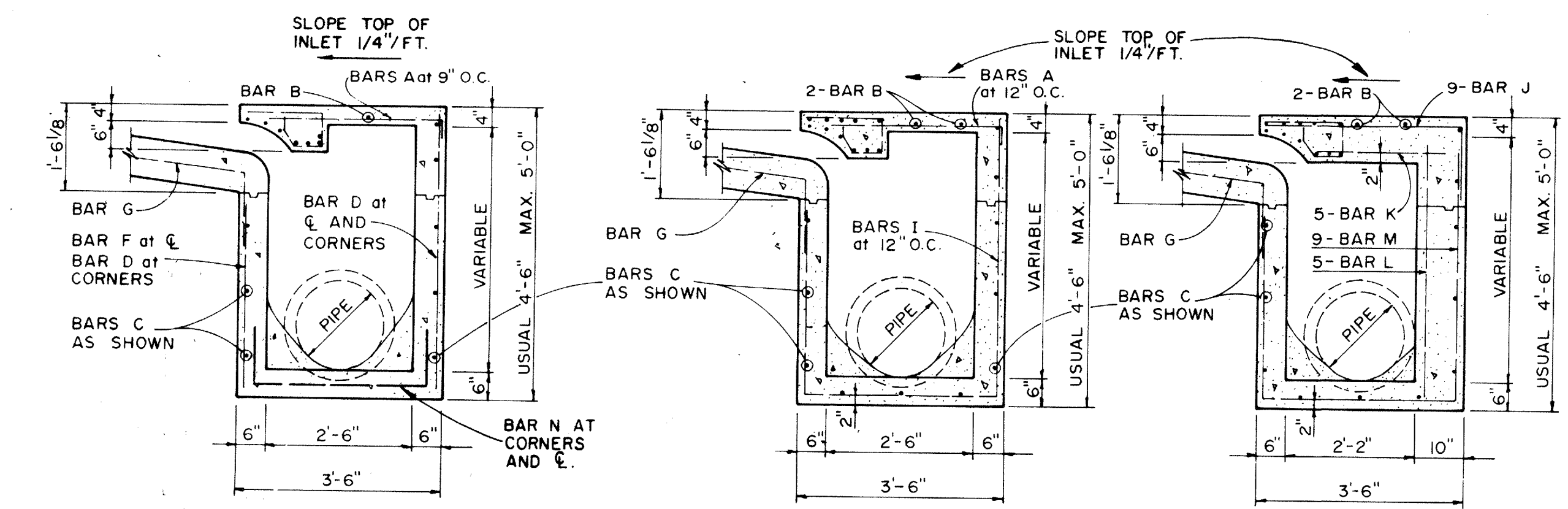
INLET NOTE:
WHERE INLETS ARE INDICATED TO BE MODIFIED, REFER TO PLAN/PROFILE SHEETS FOR ELEV. DIFFERENT SIZES ON MODIFICATIONS. ALL OTHER ITEMS SHALL REMAIN AS SHOWN ON THIS STANDARD DETAIL SHEET.



BAR DIAGRAMS

REINFORCING STEEL SCHEDULE

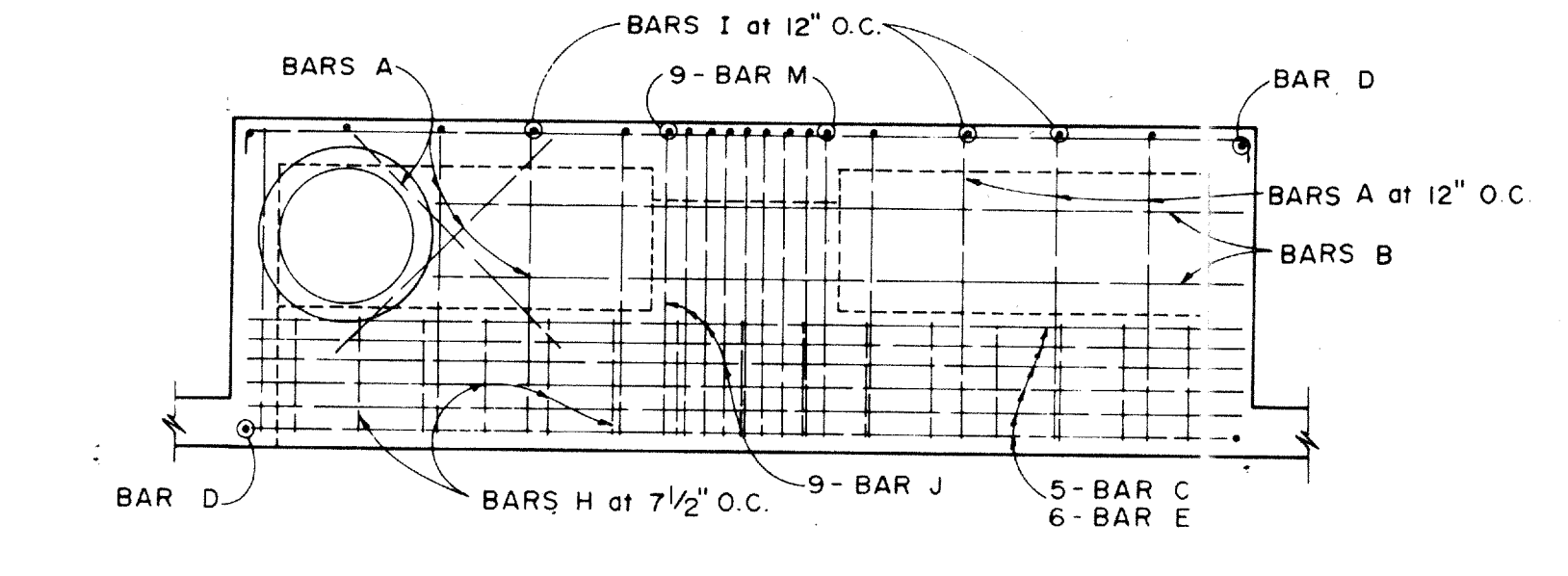
DIMENSIONS SHOWN ARE FOR MAXIMUM SIZE INLETS						
INLET LENGTH	BAR TYPE	BAR DIA. (1/8 IN)	NO. REQ'D	BAR DIMENSIONS		
				A	B	C
4	A	3	6	3'-2"	0'-3"	-
	B	3	1	2'-10"	-	-
	C	4	15	4'-8"	0'-6"	-
	D	4	5	4'-8"	-	-
	F	4	1	3'-2"	-	-
	G	3	5	2'-0"	1'-3"	-
	H	3	3	*	*	*
	N	3	3	3'-2"	3'-2"	3'-2"
6	A	3	9	3'-2"	0'-3"	-
	B	3	1	4'-10"	-	-
	C	4	15	6'-8"	0'-6"	-
	D	4	5	4'-8"	-	-
	F	4	1	3'-2"	-	-
	G	3	5	2'-0"	1'-3"	-
	H	3	3	*	*	*
	N	3	3	3'-2"	3'-2"	3'-2"
8	A	3	12	3'-2"	0'-3"	-
	B	3	1	6'-10"	-	-
	C	4	15	8'-8"	0'-6"	-
	D	4	5	4'-8"	-	-
	F	4	1	3'-2"	-	-
	G	3	5	2'-0"	1'-3"	-
	H	3	4	*	*	*
	N	3	3	3'-2"	3'-2"	3'-2"
10	A	3	10	3'-2"	0'-3"	-
	B	3	2	8'-10"	-	-
	C	4	16	10'-8"	0'-6"	-
	D	4	4	4'-8"	-	-
	E	5	6	10'-8"	-	-
	G	3	5	2'-0"	1'-3"	-
	H	3	15	*	*	*
	I	4	8	4'-8"	3'-2"	3'-2"
	L	4	5	4'-3"	-	-
12	A	3	12	3'-2"	0'-3"	-
	B	3	2	10'-10"	-	-
	C	4	16	12'-8"	0'-6"	-
	D	4	4	4'-8"	-	-
	E	5	6	12'-8"	-	-
	G	3	5	2'-0"	1'-3"	-
	H	3	18	*	*	*
	I	4	10	4'-8"	3'-2"	3'-2"
	J	5	9	3'-2"	1'-3"	-
	K	4	5	2'-3"	-	-
	L	4	5	4'-3"	-	-
	M	5	9	4'-3"	3'-2"	3'-9"
14	A	3	14	3'-2"	0'-3"	-
	B	3	2	10'-10"	-	-
	C	4	16	14'-8"	0'-6"	-
	D	4	4	4'-8"	-	-
	E	5	6	14'-8"	-	-
	G	3	5	2'-0"	1'-3"	-
	H	3	21	*	*	*
	I	4	12	4'-8"	3'-2"	3'-2"
	J	5	9	3'-2"	1'-3"	-
	K	4	5	2'-3"	-	-
	L	4	5	4'-3"	-	-
	M	5	9	4'-3"	3'-2"	3'-9"



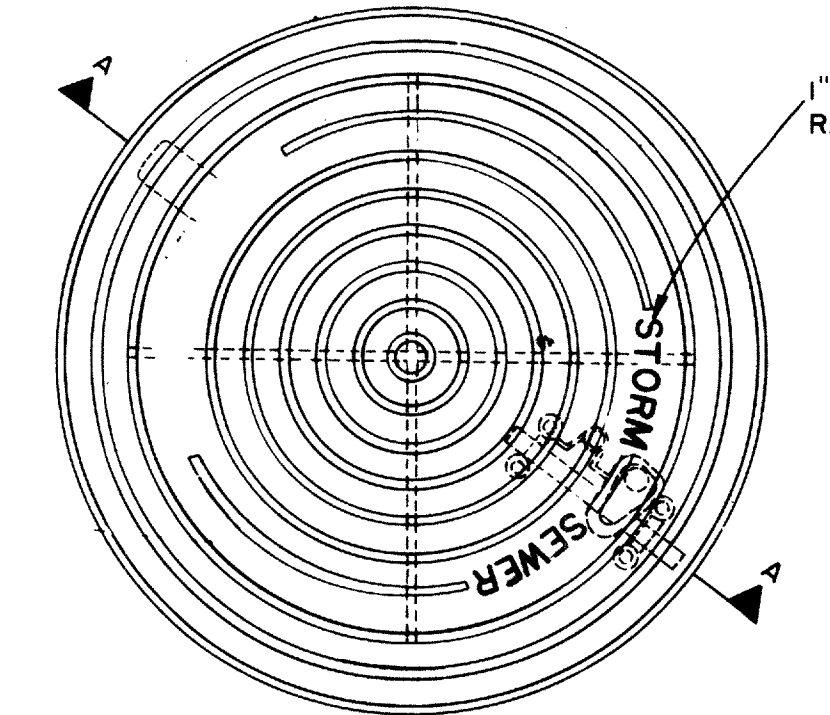
SECTION B-B

SECTION C-C

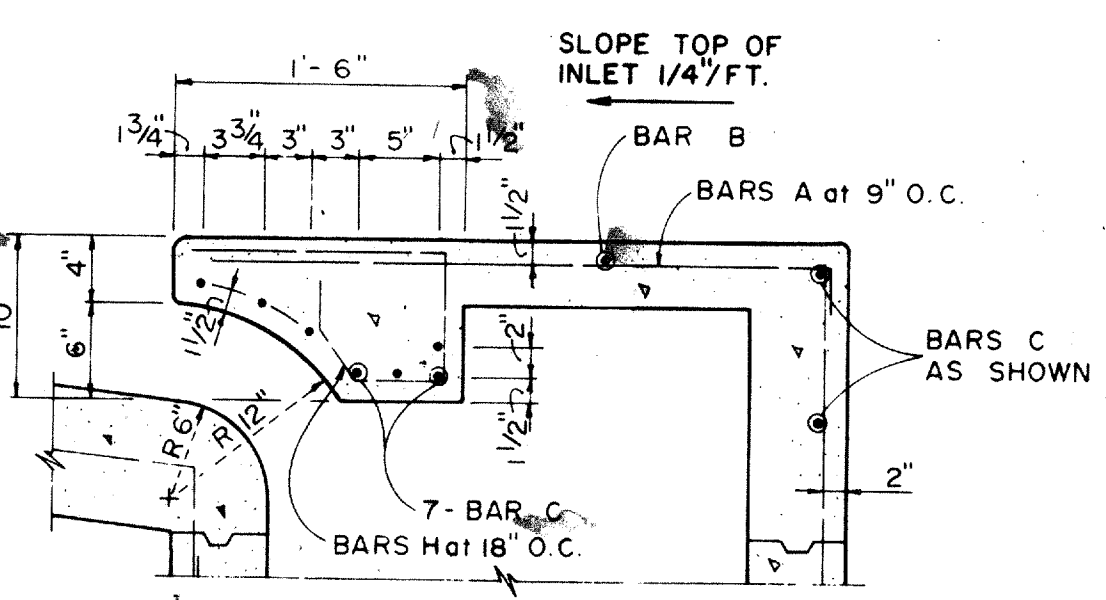
SECTION B-B



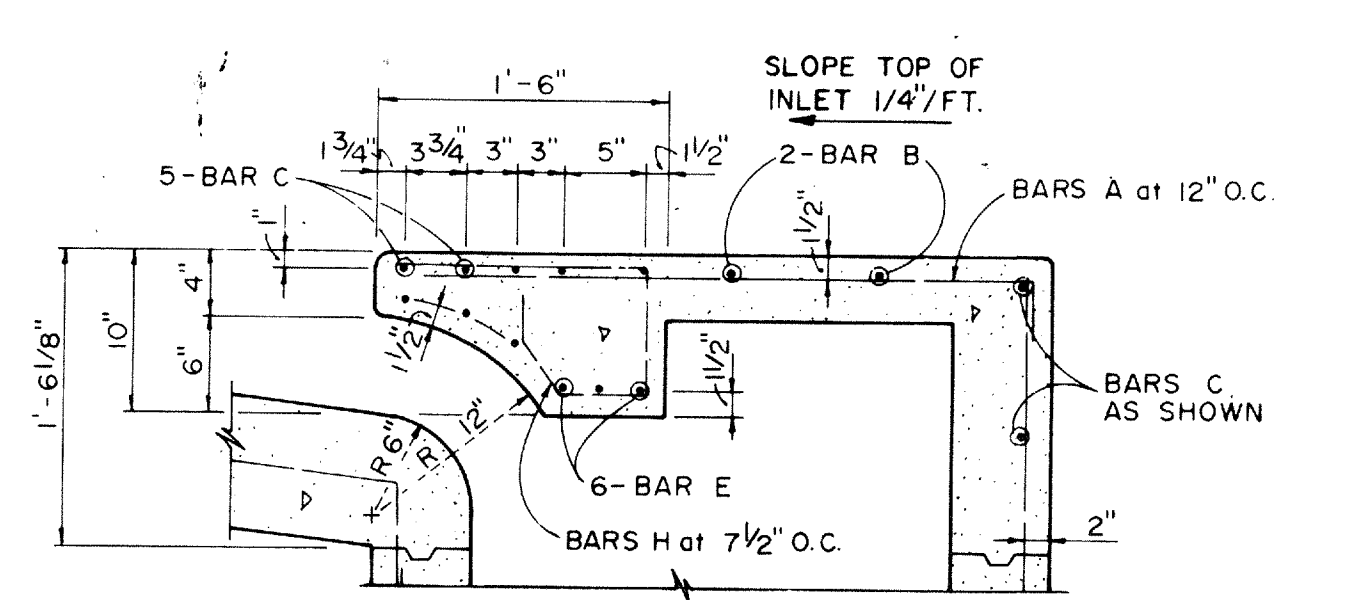
PLAN



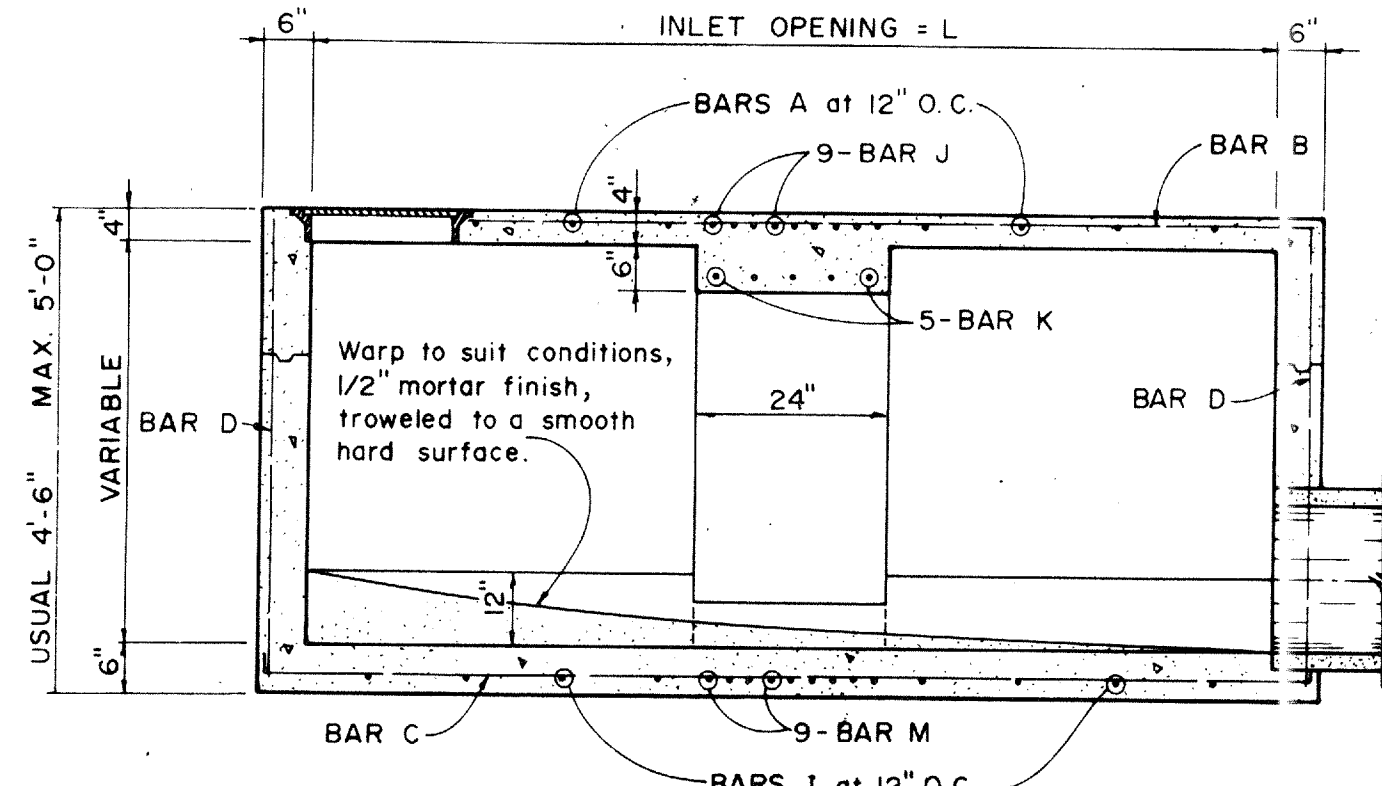
PLAN OF FRAME



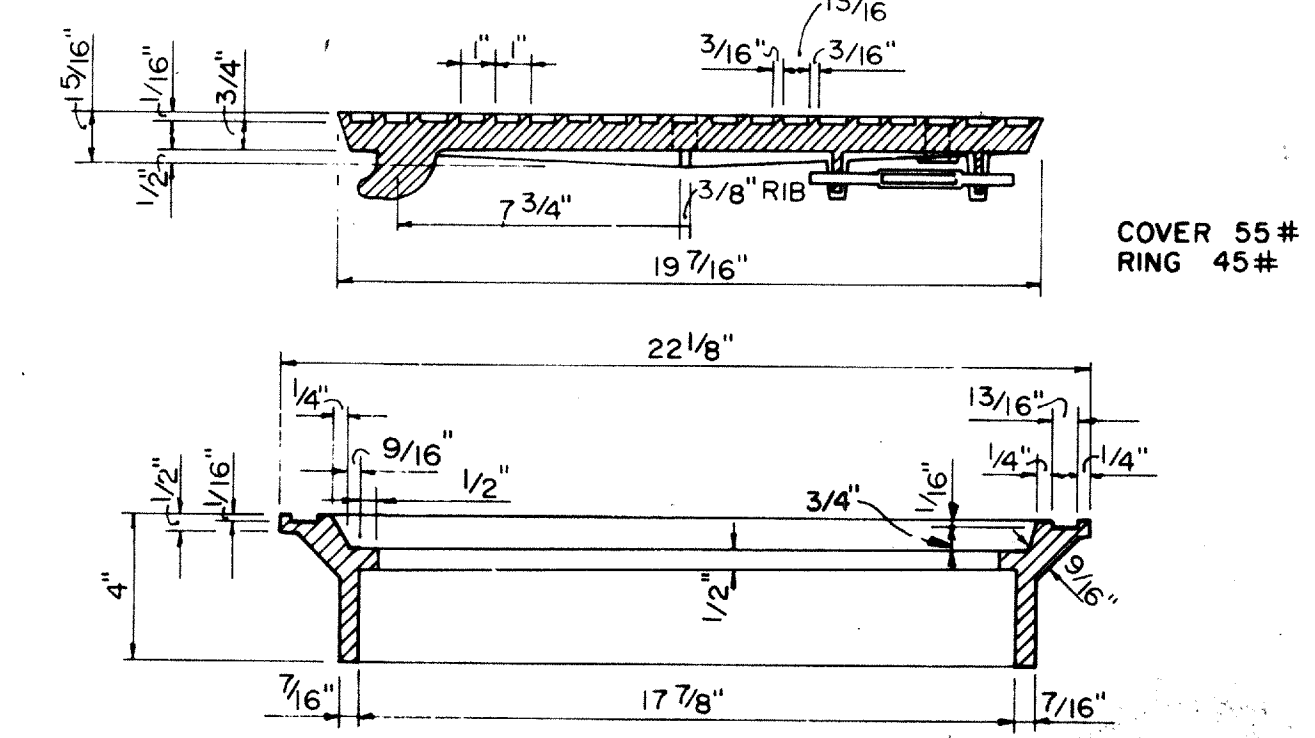
SECTION C-C



SECTION C-C

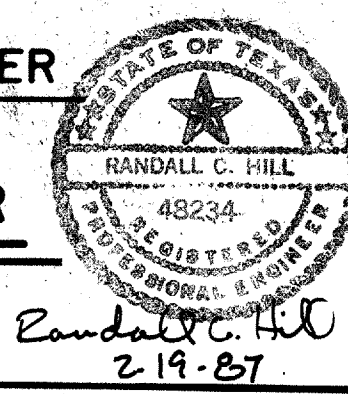


SECTION D-D FOR 12' & 14' ONLY



SECTION OF FRAME AND COVER

INLET FRAME AND COVER



No.	Revision	By	Date
TOWN OF ADDISON DALLAS COUNTY, TEXAS			
CELESTIAL ROAD PUMP STATION			
MISC. DETAILS - DRAINAGE			
GINN, INC. Consulting Engineers Dallas, Texas			
Designed - R.C.H.	Drawn - B.S.	Date - JAN, 1987	Job No. - 217
Approved - HWG	Checked - G.A.F.	Scale - AS SHOWN	Sheet - C-9