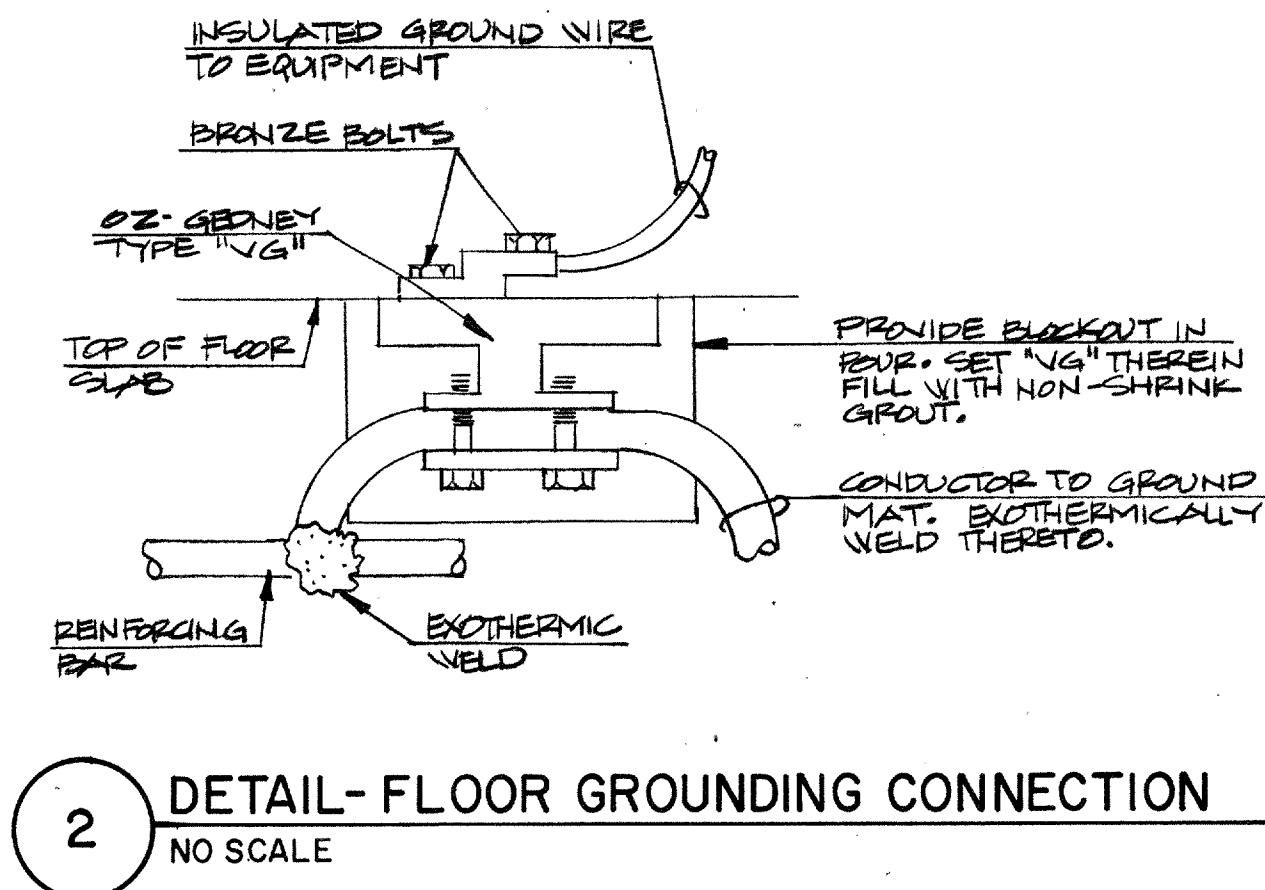
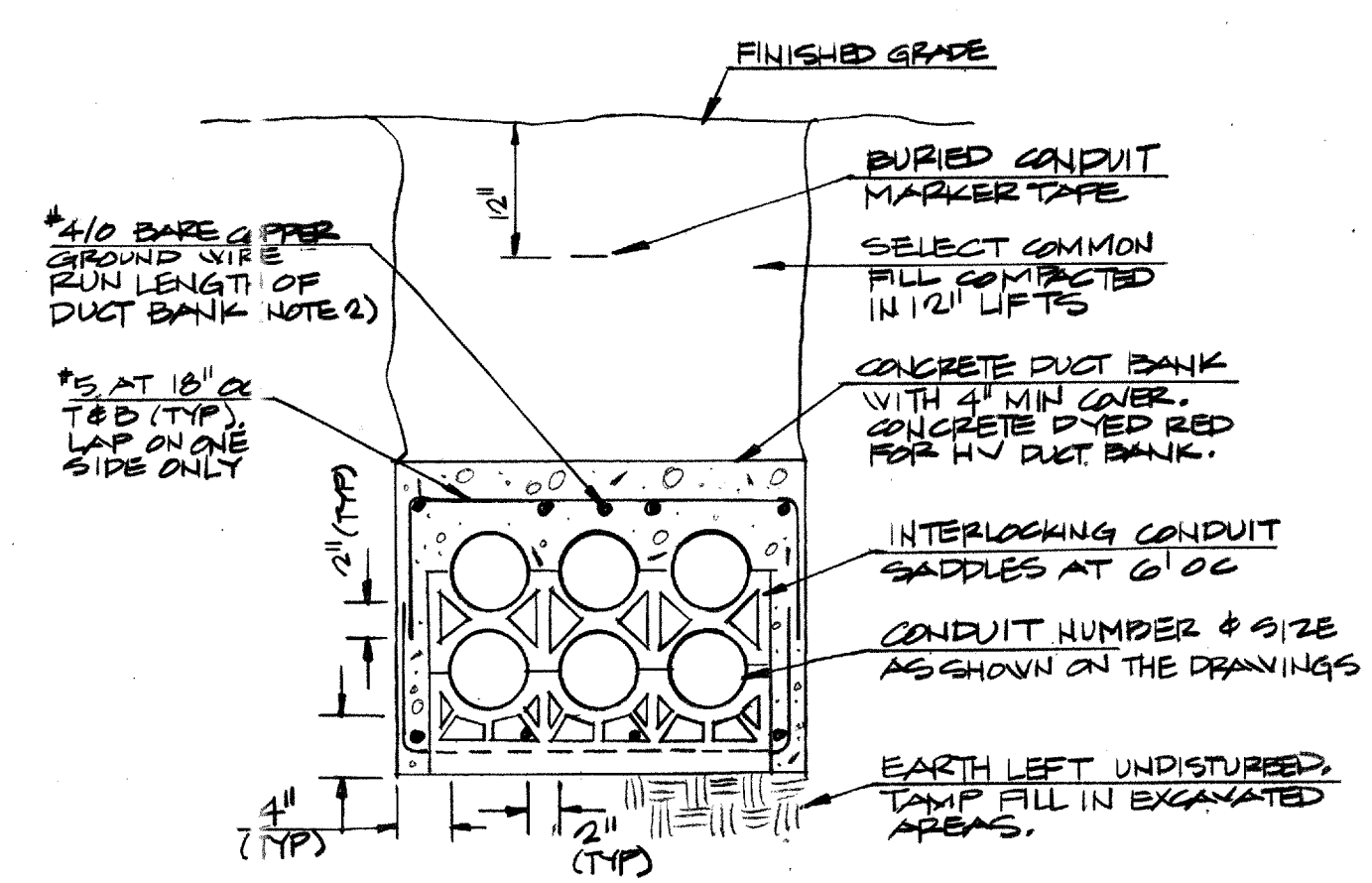


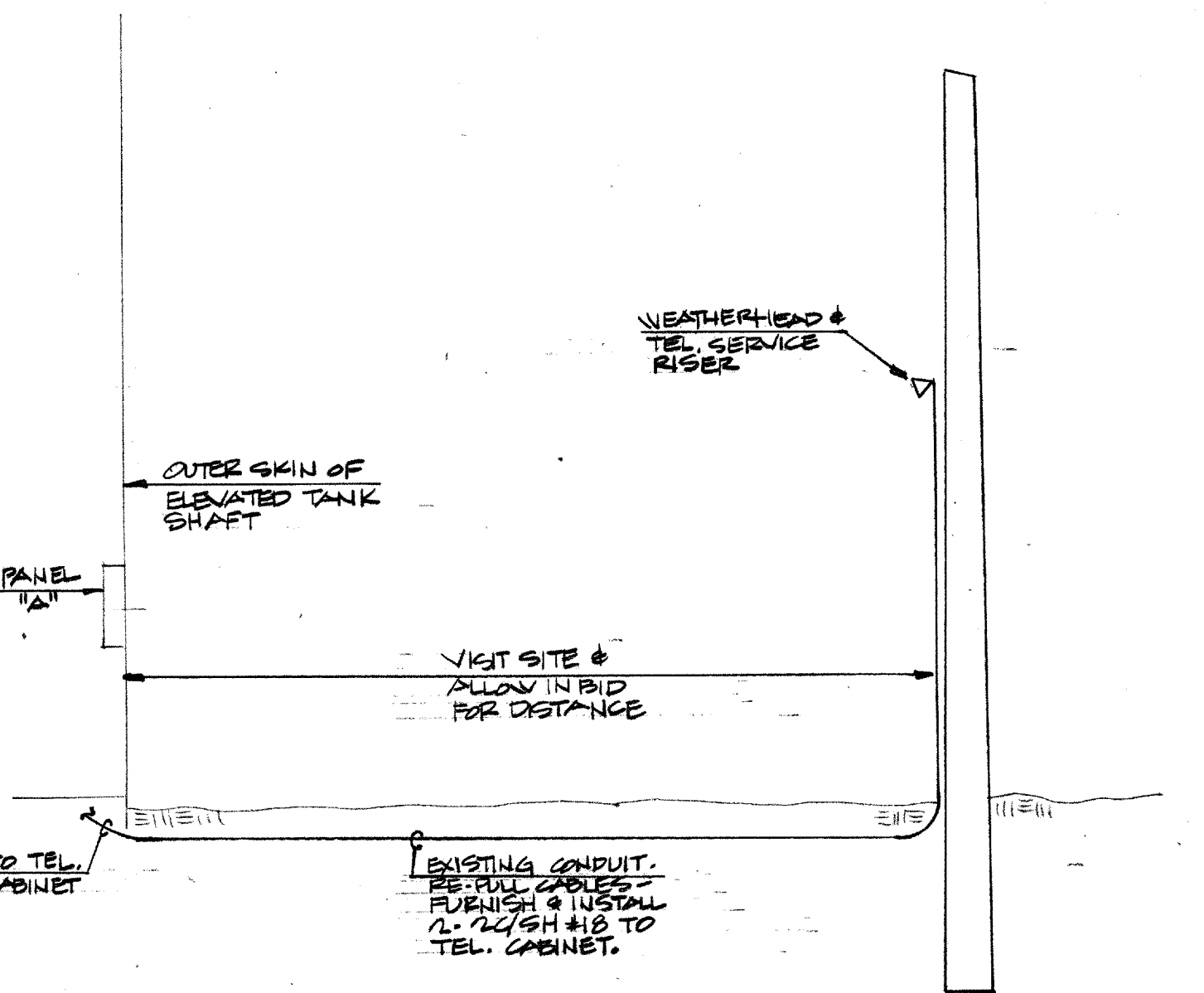
1 DETAIL-GROUND ROD AND WELL  
NO SCALE



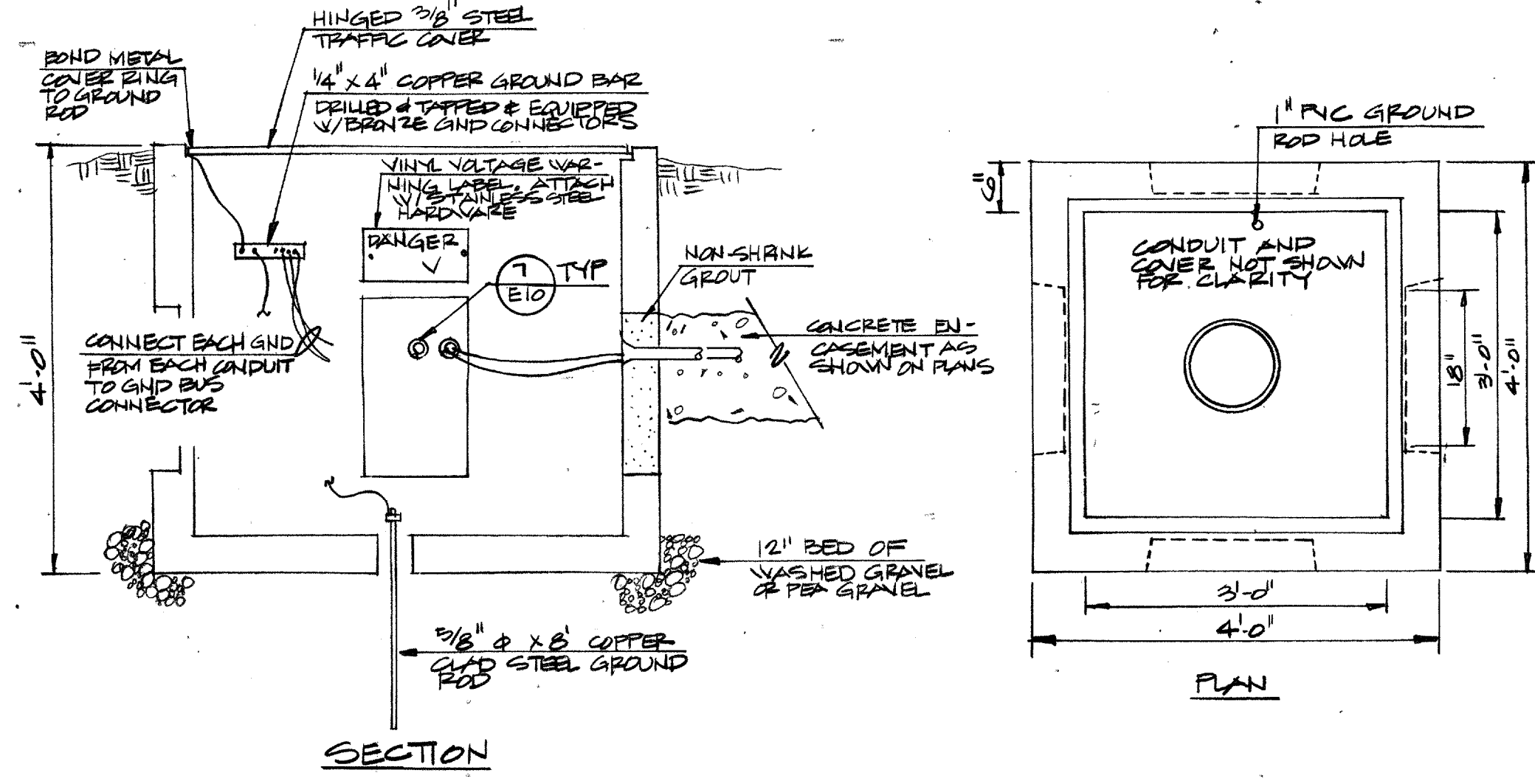
2 DETAIL-FLOOR GROUNDING CONNECTION  
NO SCALE



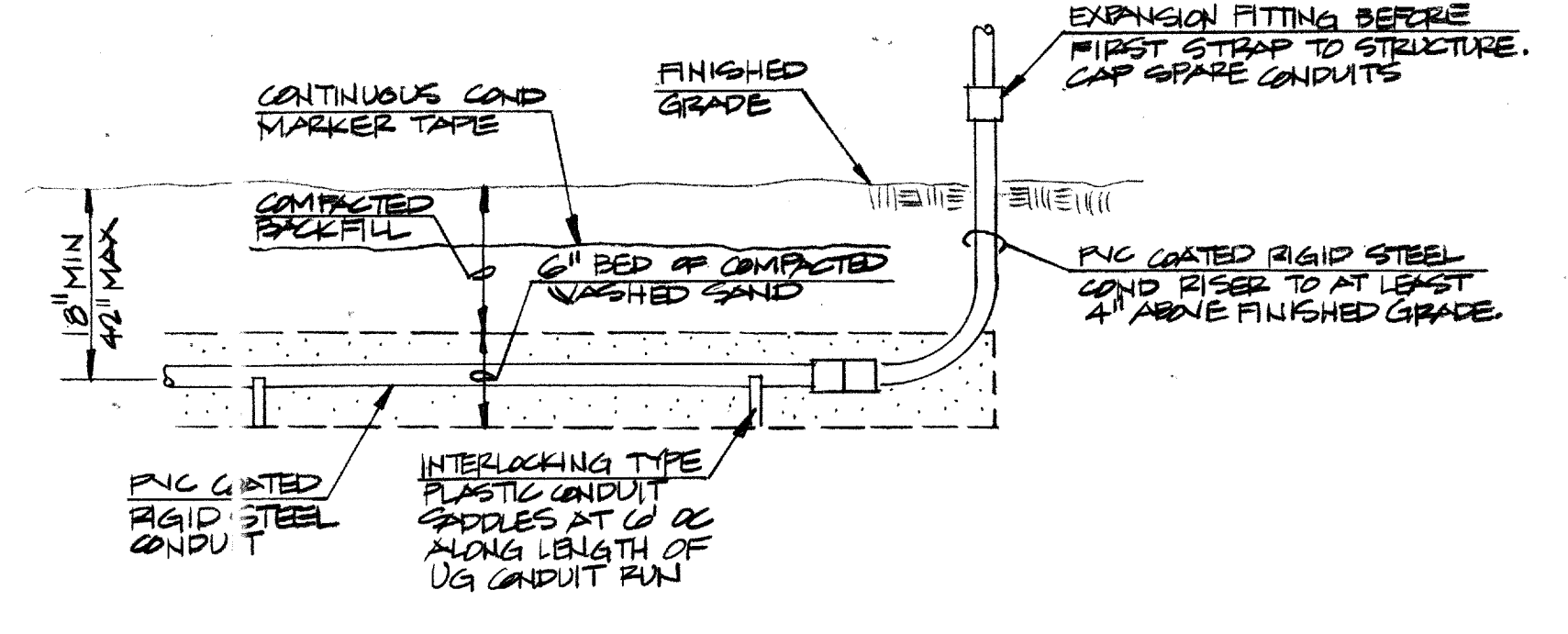
4 UNDERGROUND DUCT BANK CONCRETE ENCASED  
NO SCALE



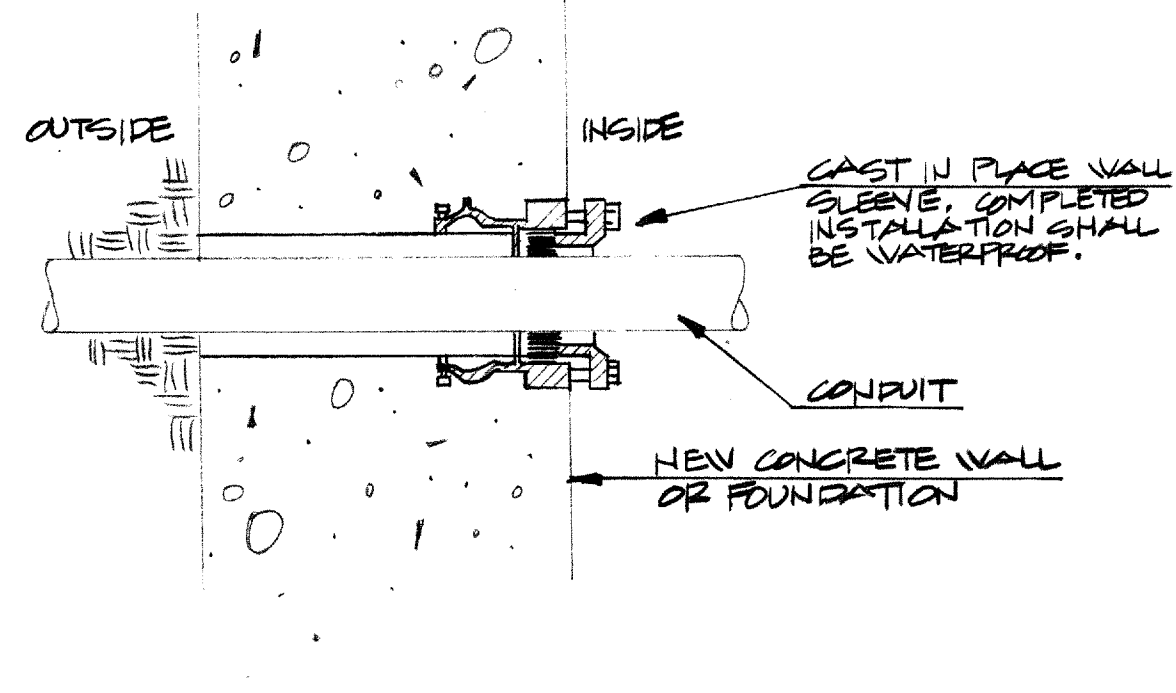
8 DETAIL  
NO SCALE



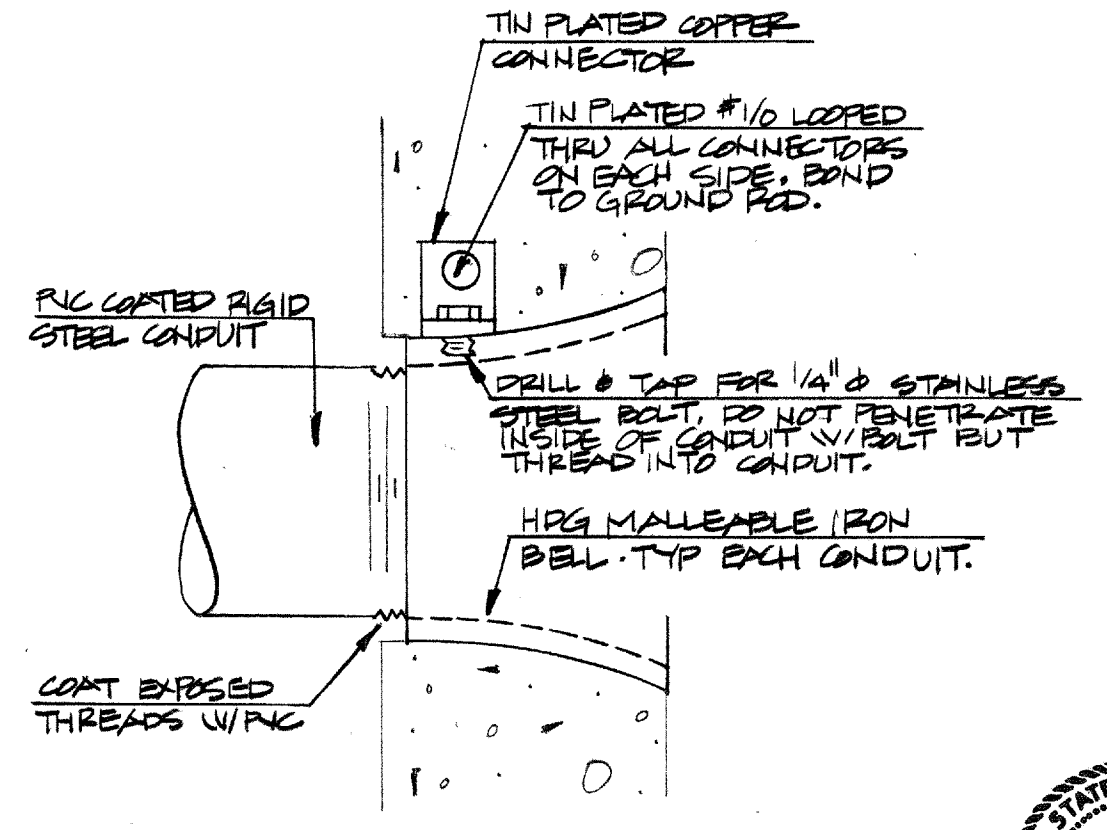
3 ELECTRICAL HANDHOLE  
NO SCALE



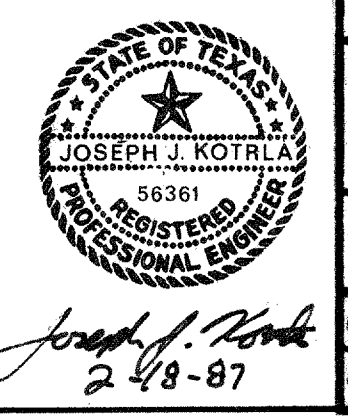
5 UNDERGROUND CONDUIT RUN



6 CONDUIT WALL PENETRATION  
NO SCALE



7 END BELL IN HANDHOLE  
NO SCALE



No.	Revision	By	Date
TOWN OF ADDISON DALLAS COUNTY, TEXAS <b>CELESTIAL ROAD PUMP STATION</b>			
CHARLES R. MCCREARY & ASSOCIATES CONSULTING ENGINEERS SUITE 217 5301 LA FREEMAN DALLAS, TEXAS 75240		ELECTRICAL DETAILS	
<b>GINN, INC.</b> Consulting Engineers Dallas, Texas			
Designed - JK	Drawn - JW	Date -	Job No. -
Approved -	Checked -	Scale -	Sheet E10 OF E12