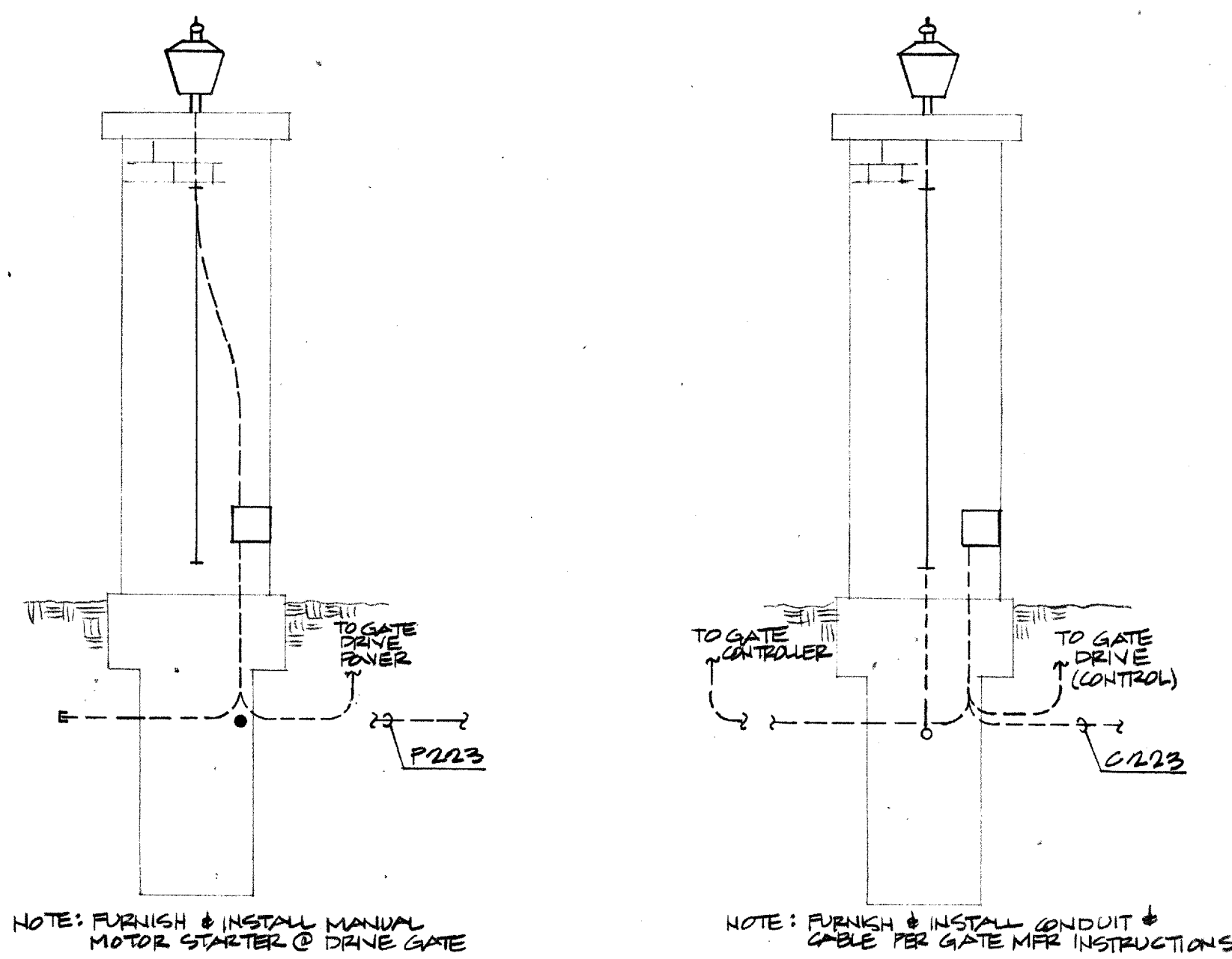
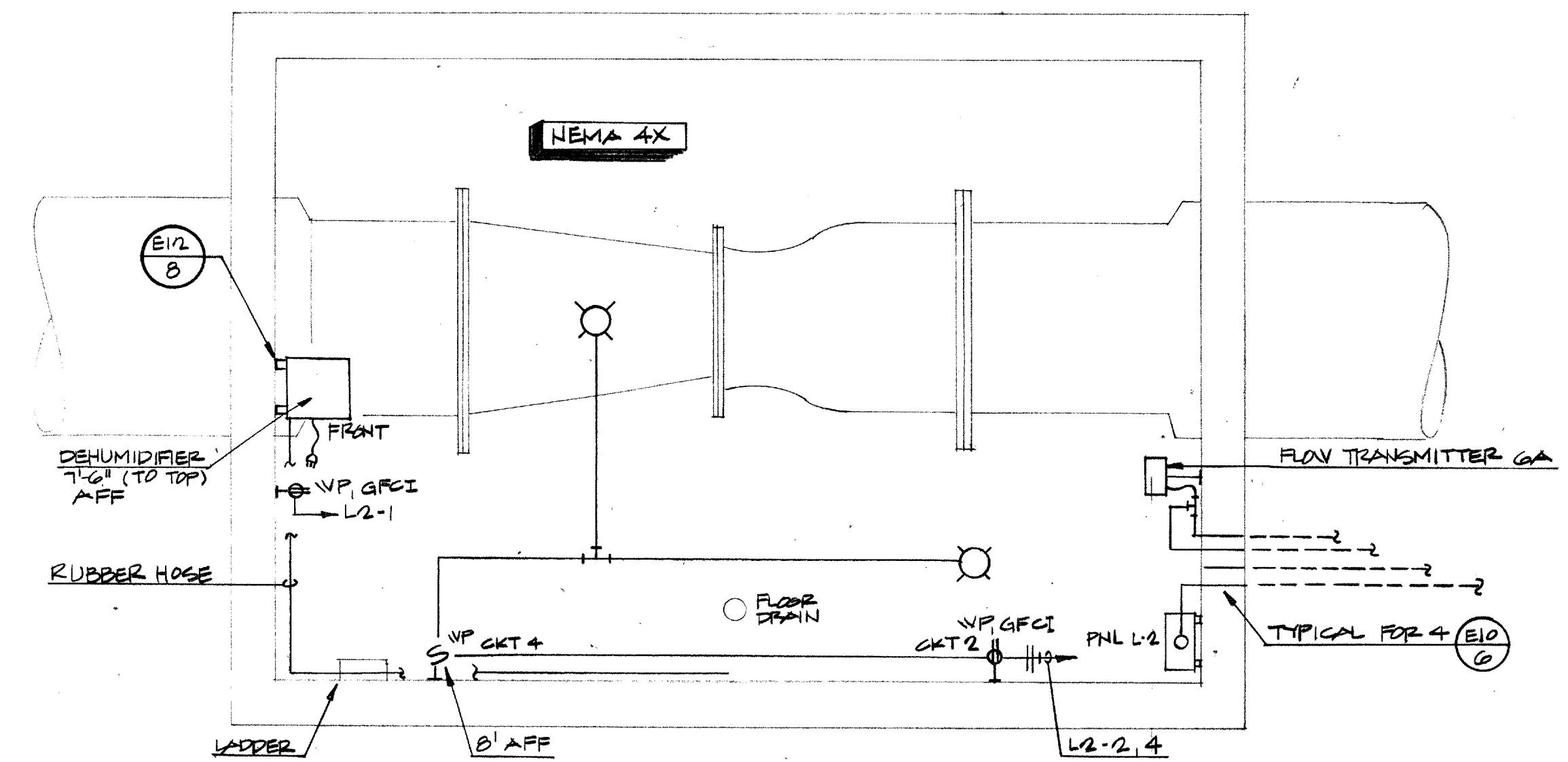


1 SECTION-WEST MOTORIZED GATE
NO SCALE



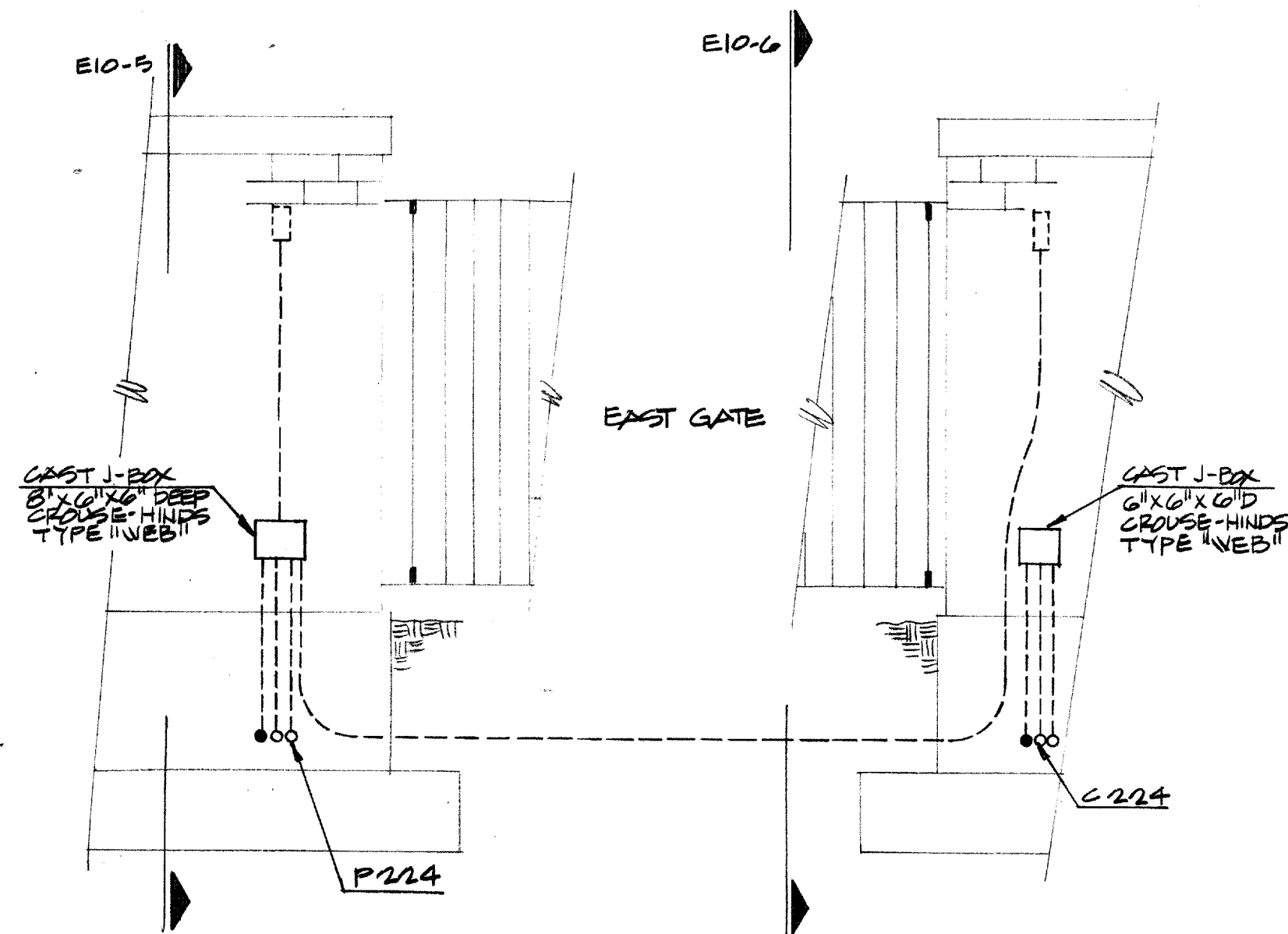
3 SECTION
NO SCALE

4 SECTION
NO SCALE

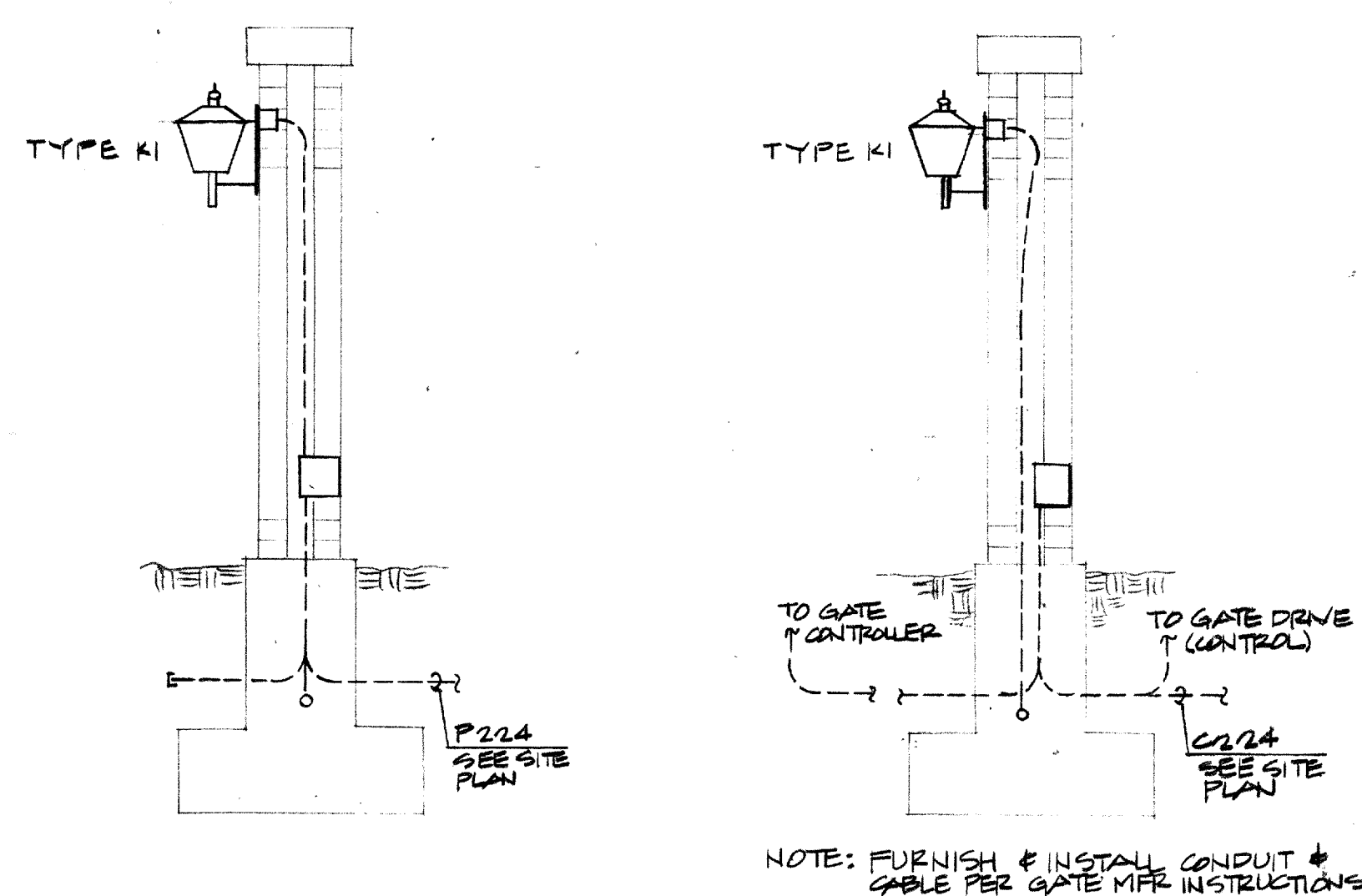


NOTES:
1. FURNISH & INSTALL 3/4\"/>

7 PLAN VIEW-METER VAULT
NO SCALE

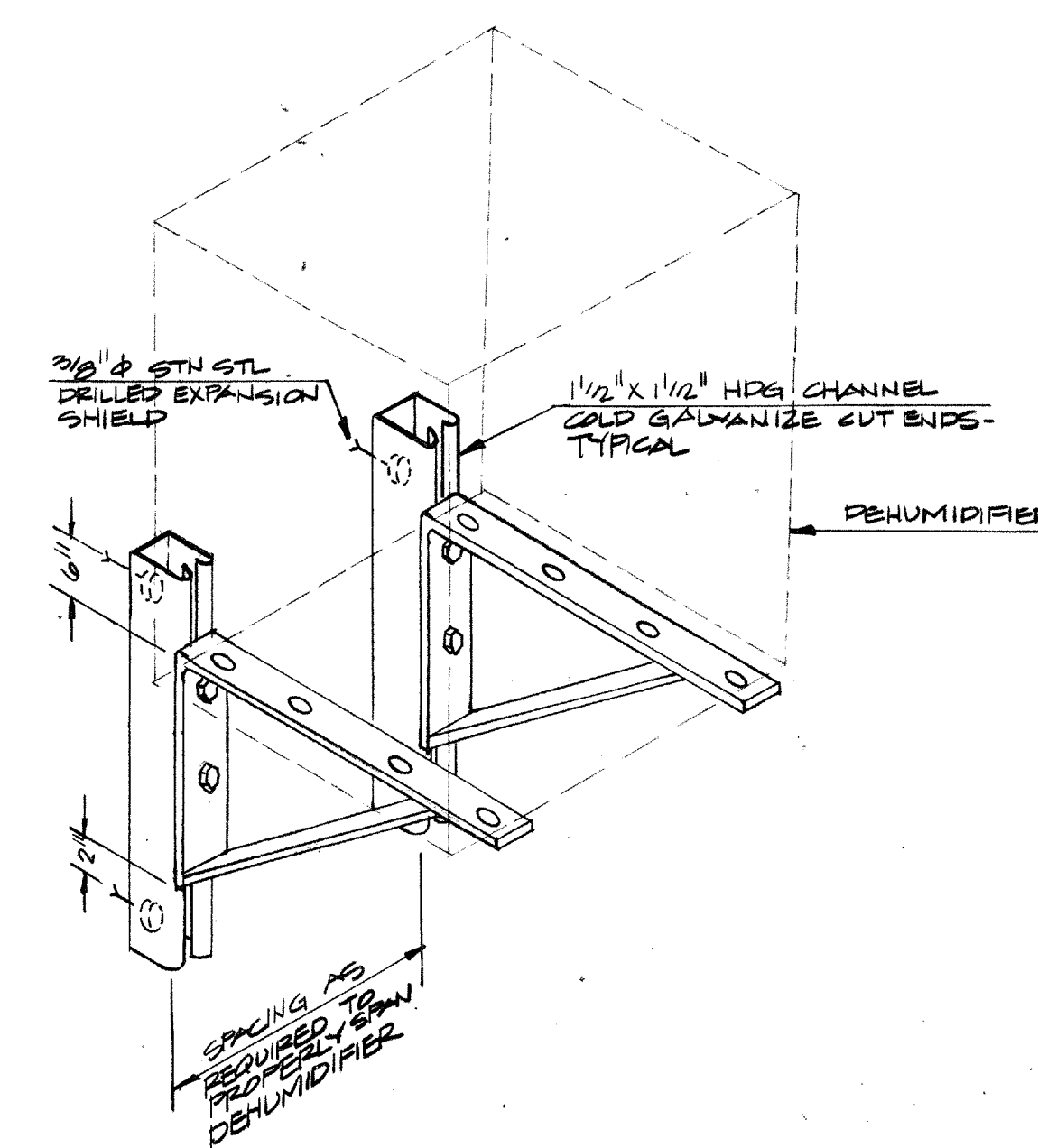


2 SECTION-EAST MOTORIZED GATE
NO SCALE



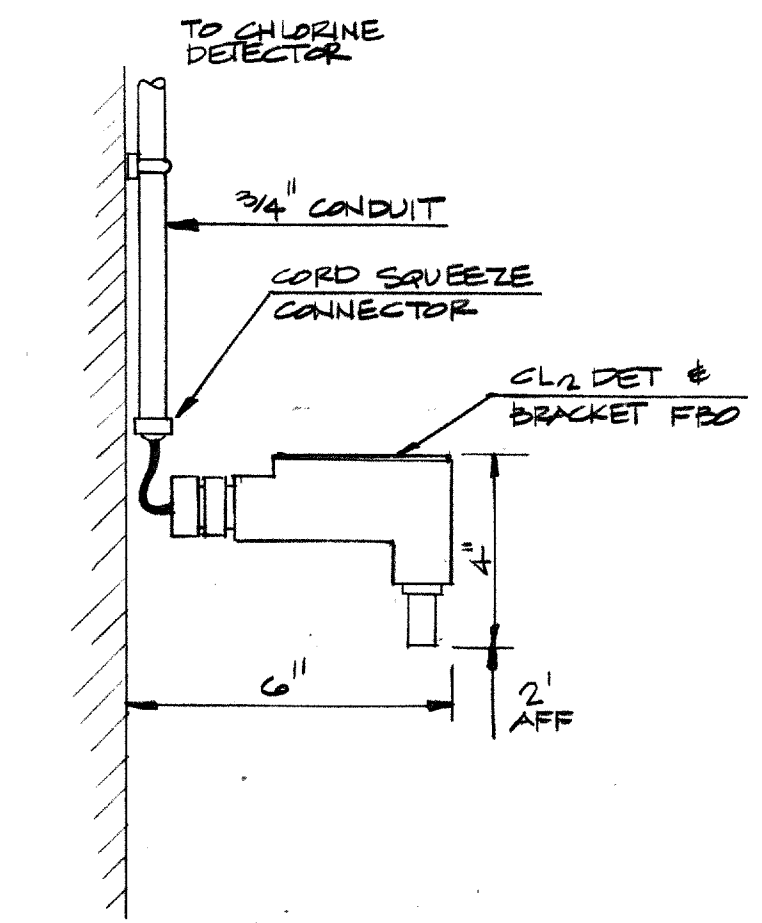
5 SECTION
NO SCALE

6 SECTION
NO SCALE



NOTE: REMOVE FLOOR ROLLERS ON DEHUMIDIFIER & BOLT TO BRACKET BRACKETS ON EACH CORNER WITH 1/4\"/>

8 DEHUMIDIFIER MOUNTING BRACKET
NO SCALE



9 CHLORINE SENSOR
NO SCALE



Joseph J. Kotrba
2-18-87

No.	Revision	By	Date
TOWN OF ADDISON DALLAS COUNTY, TEXAS			
CELESTIAL ROAD PUMP STATION			
CHARLES R. McCREARY & ASSOCIATES CONSULTING ENGINEERS SUITE 217 6500 LBJ FREEWAY DALLAS, TEXAS 75240		ELECTRICAL DETAILS	
GINN, INC. Consulting Engineers Dallas, Texas			
Designed - JK	Drawn - JW	Date -	Job No. -
Approved -	Checked -	Scale -	Sheet E12 OF E12