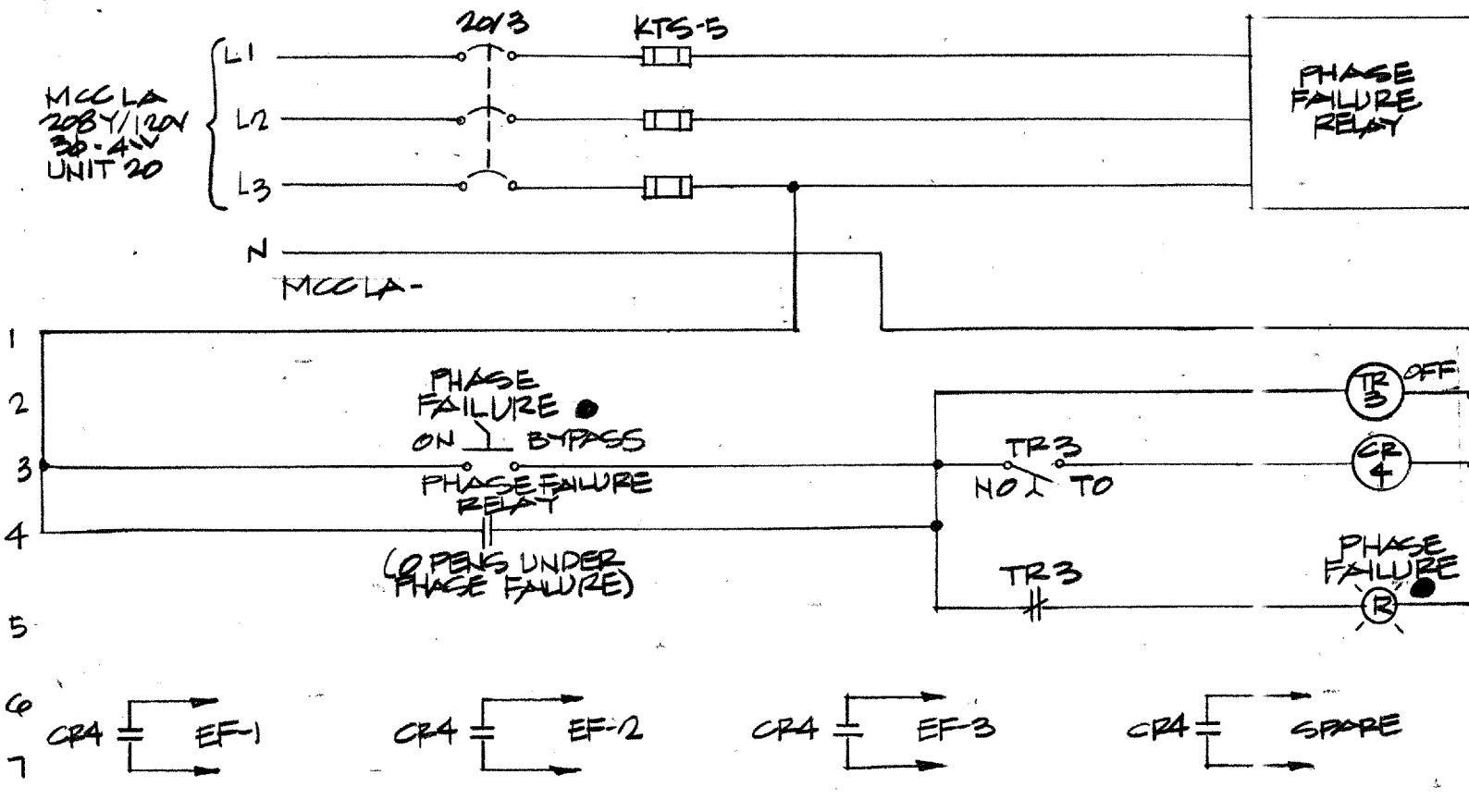
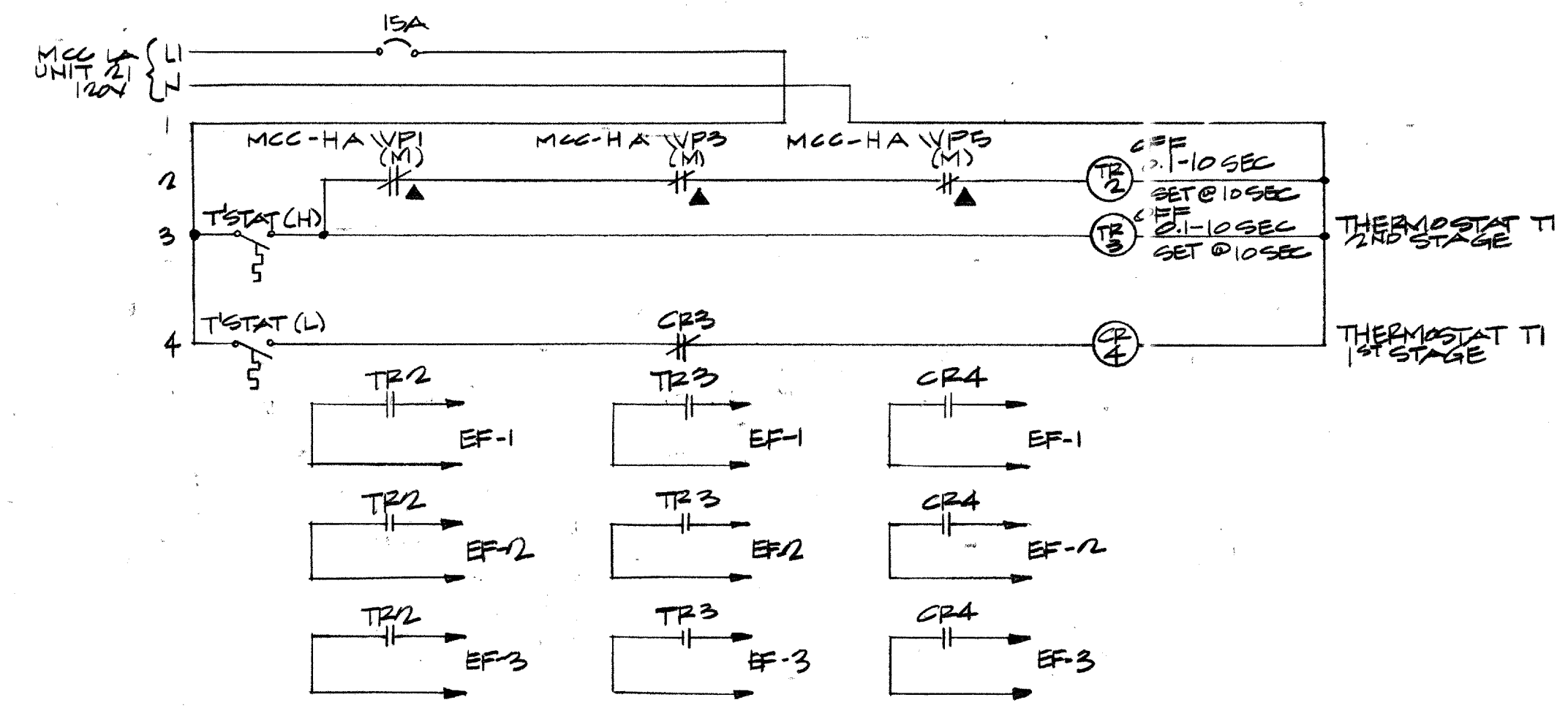


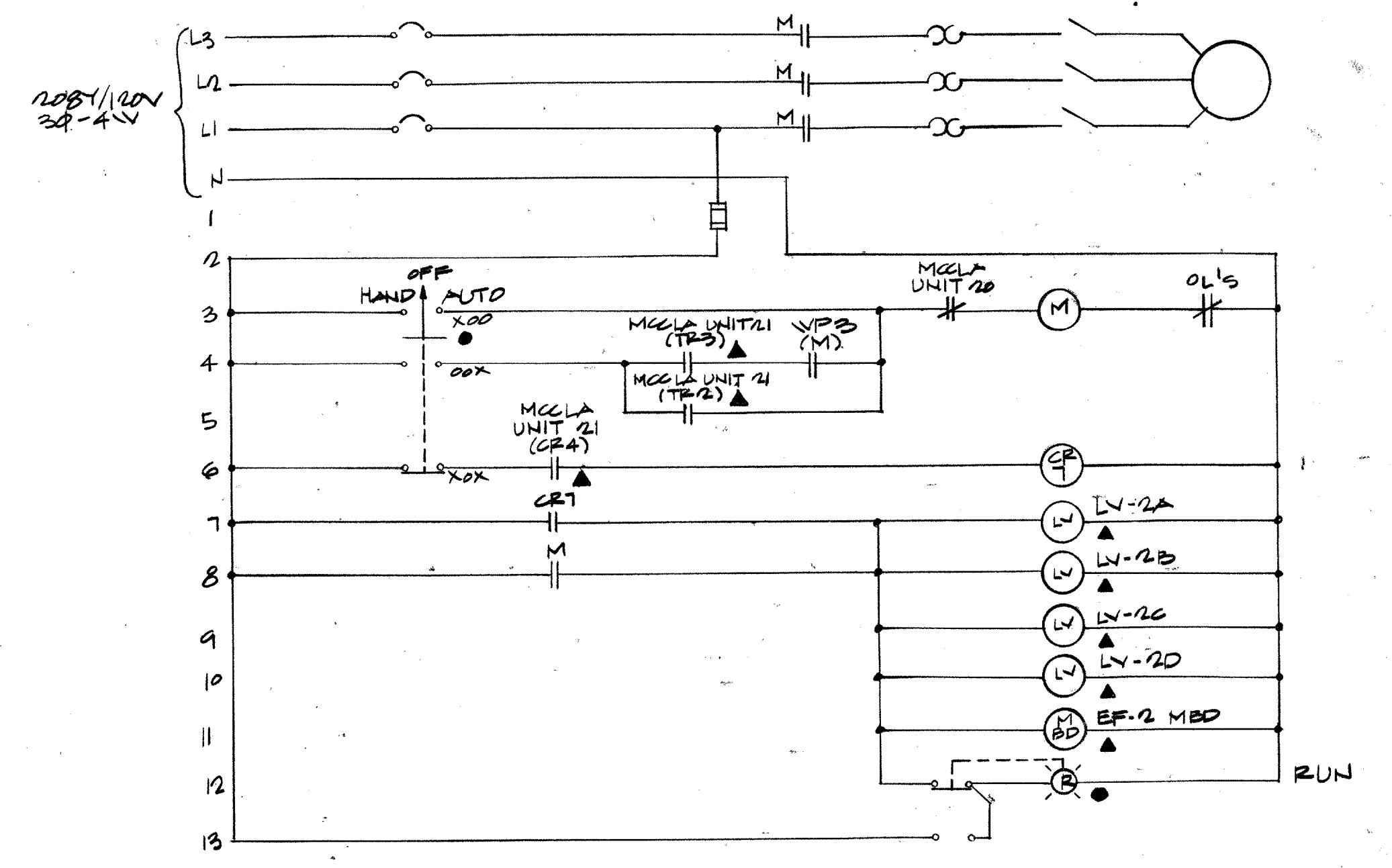
1 CONTROL SCHEMATIC-WPI, WP2, WP3



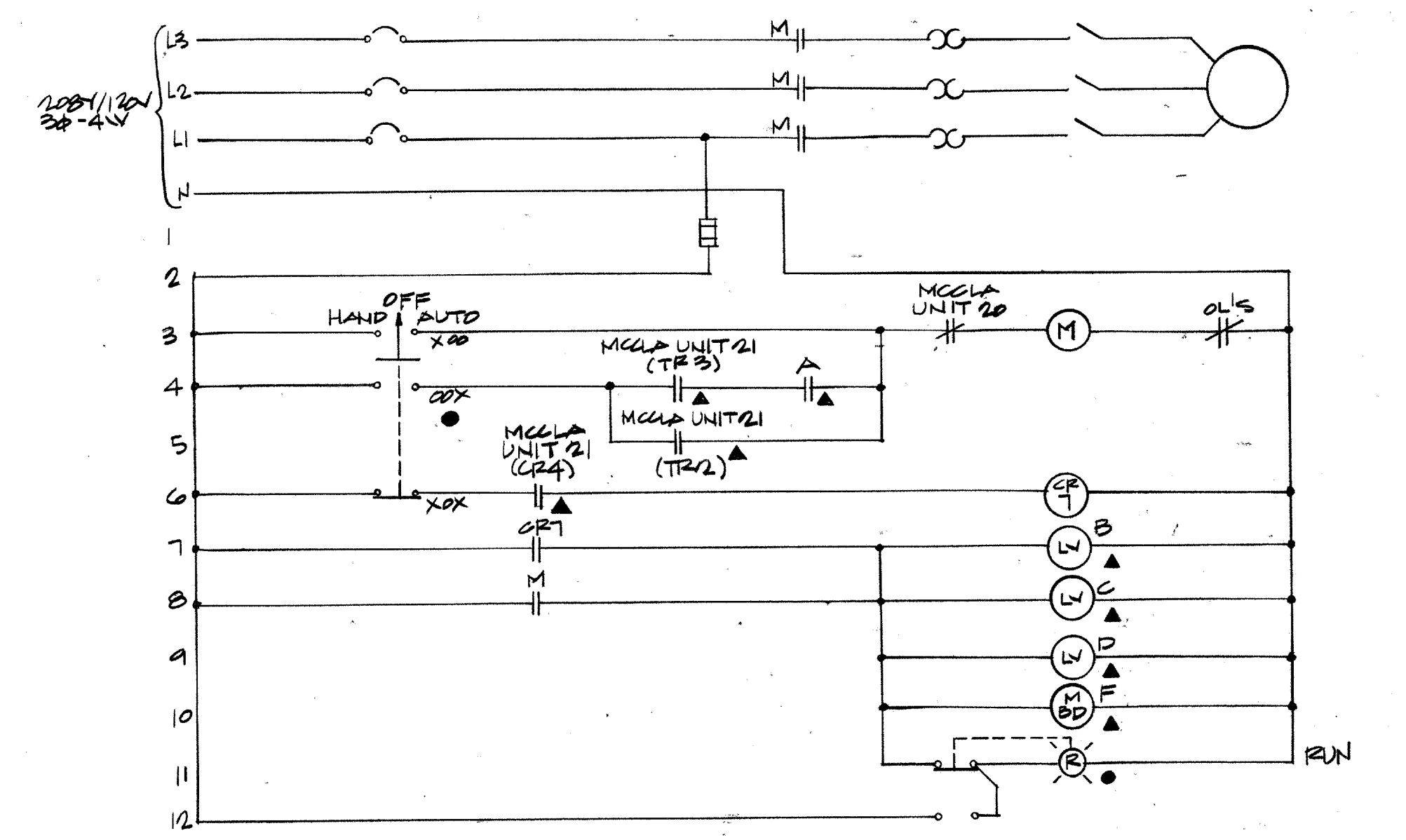
2 CONTROL SCHEMATIC-PHASE FAILURE RELAY



3 CONTROL SCHEMATIC-PUMP ROOM VENTILATION CONTROL

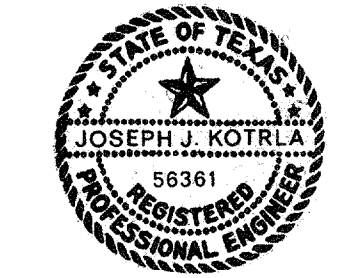


4 CONTROL SCHEMATIC-EF-2



5 CONTROL SCHEMATIC-EF-1 & EF-3

EXHAUST	A	B	C	D	F
EF-1	WPI (M)	LW-1A	LW-1B	LW-1C	EF-1-MBD
EF-3	WPI (M)	LW-2A	LW-2B	LW-2C	EF-3-MBD



John J. Kotrla
2/16/87

No.	Revision	By	Date
TOWN OF ADDISON DALLAS COUNTY, TEXAS CELESTIAL ROAD PUMP STATION			
CHARLES R. McCREARY & ASSOCIATES CONSULTING ENGINEERS SUITE 217 6501 LA FREEMAN DALLAS, TEXAS 75244		ELECTRICAL CONTROL SCHEMATICS	
GINN, INC. Consulting Engineers Dallas, Texas			
Designed - JK	Drawn - JW	Qty -	Job No. -
Approved -	Checked -	Scale -	Sheet E5 OF E12