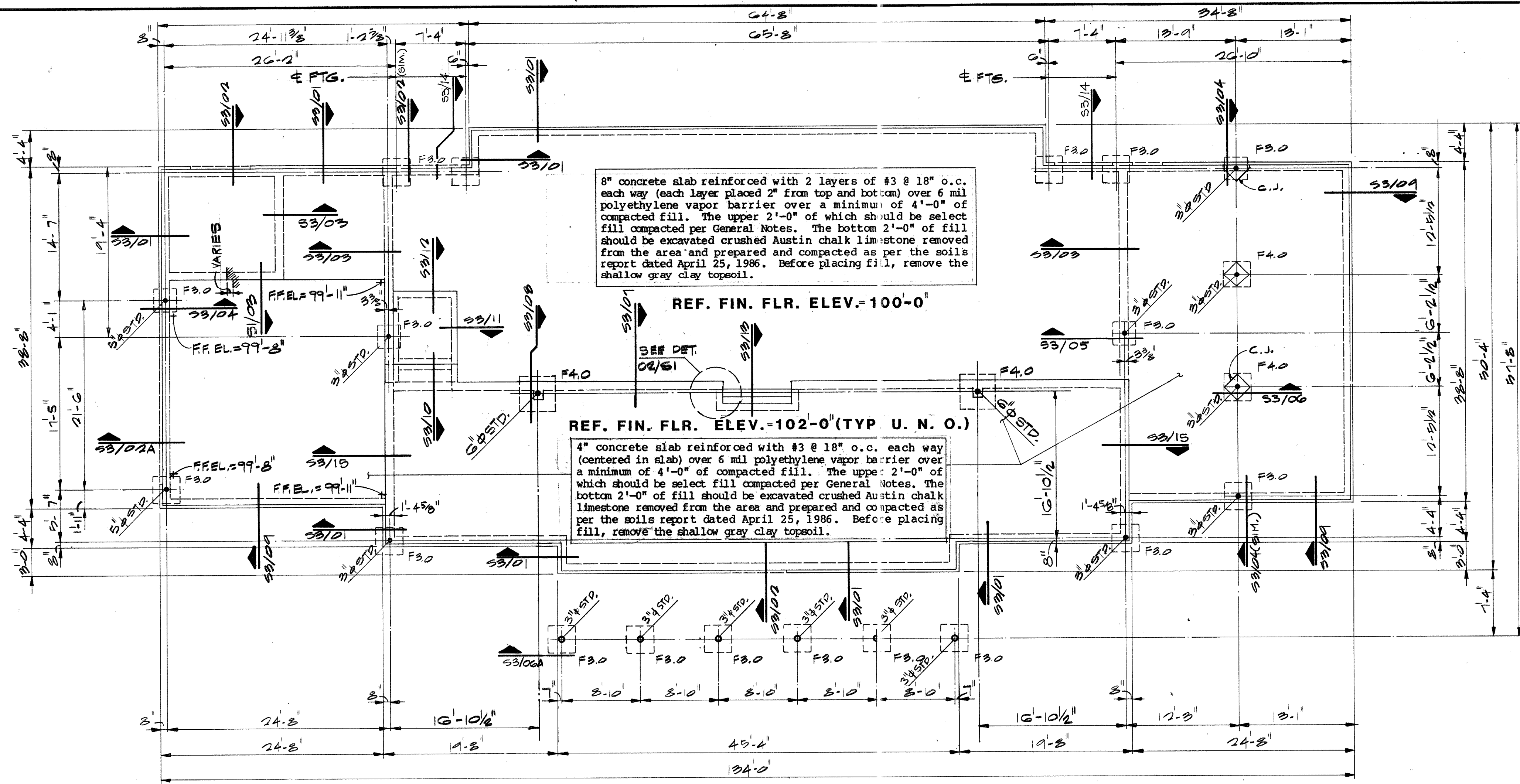


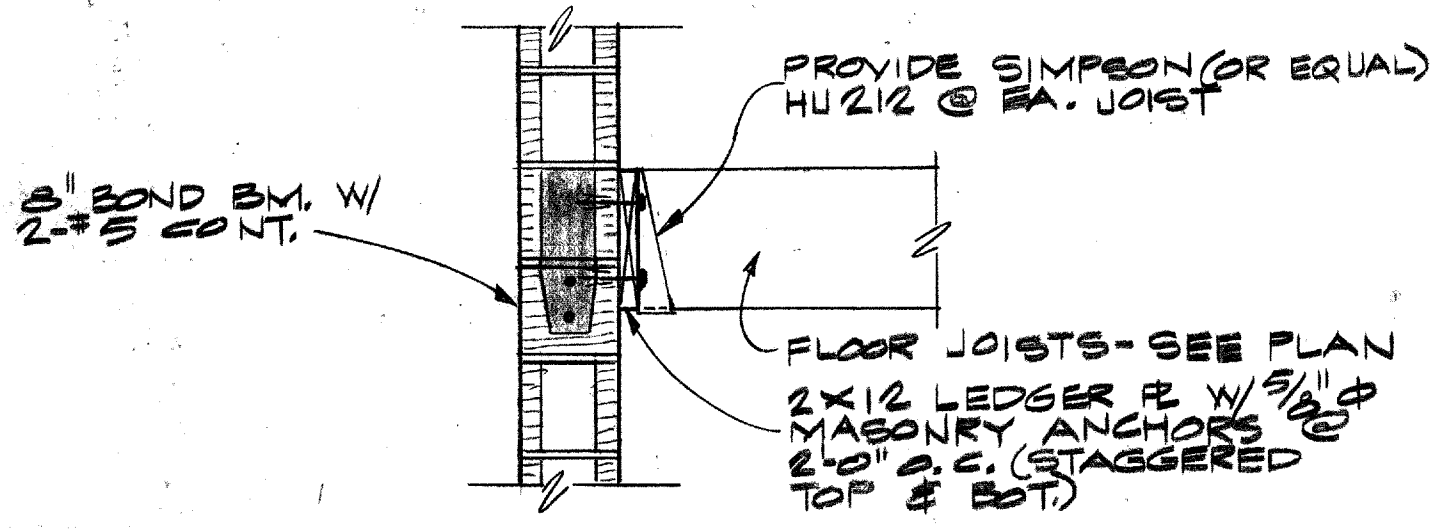
03 SECTION



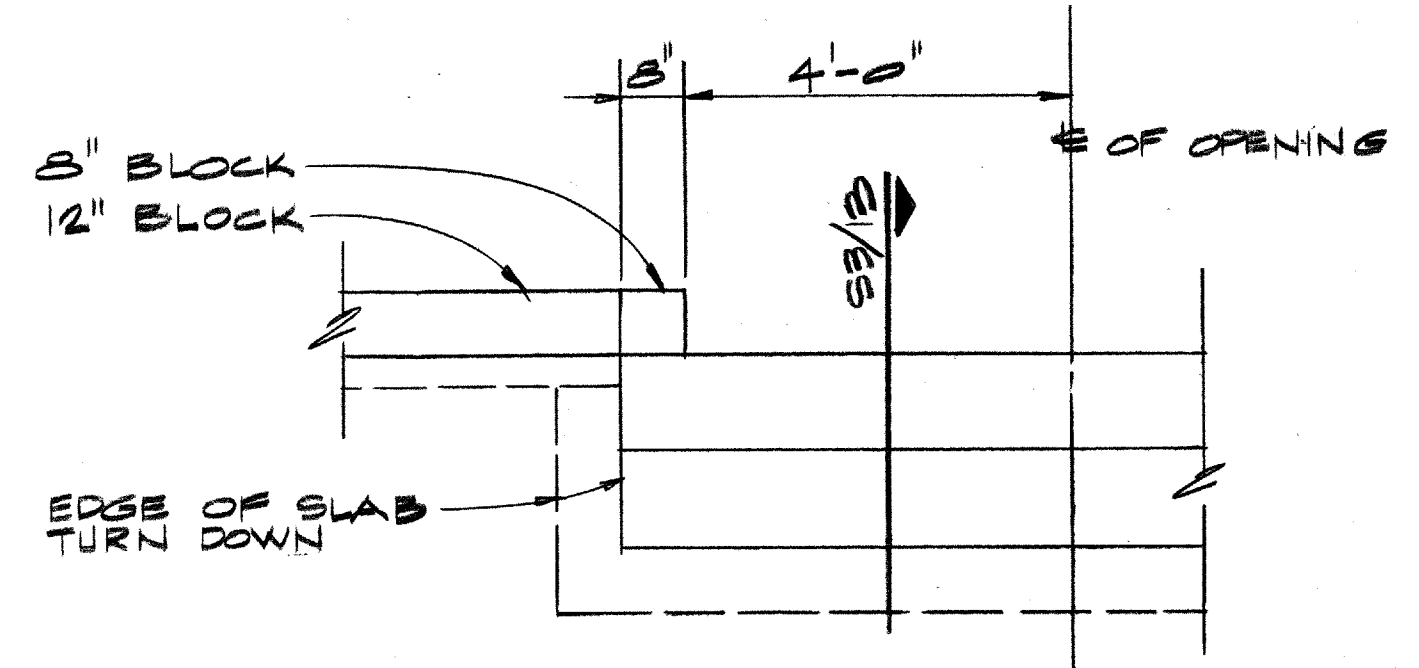
01 FOUNDATION PLAN
SCALE: 1/8" = 1'-0" FIN. FLR. ELEV.-SEE PLAN



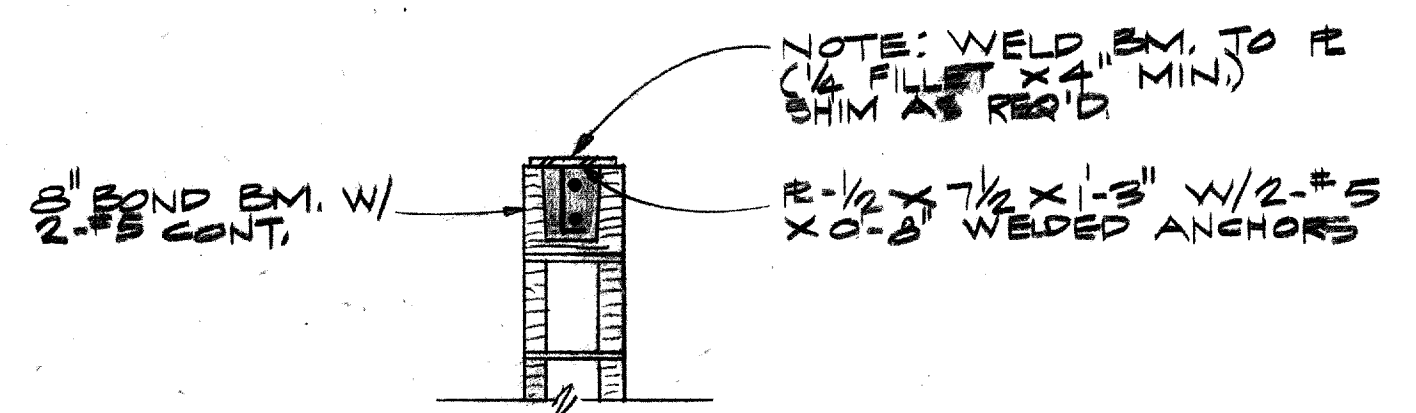
- Plan Notes**
1. Refer S4 for General Notes, typical details, footing schedule and base schedule.
 2. Refer S2 for wood framing notes.
 3. C.J.- Indicates construction joint.



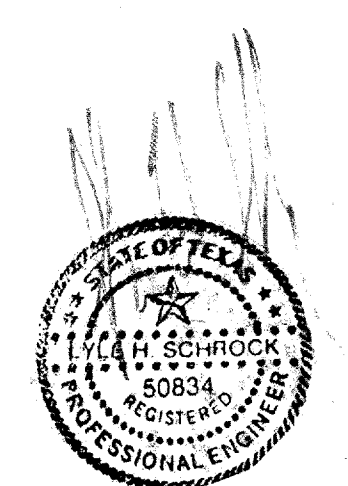
04 SECTION



02 DETAIL



05 SECTION



No.	Revision	By	Date
TOWN OF ADDISON DALLAS COUNTY, TEXAS			
CELESTIAL ROAD PUMP STATION			
HIXSON & HARRIS, INC. Structural Engineers		FOUNDATION DETAILS <small>Highland Park West 4300 MacArthur Avenue, Suite 135 Dallas, Texas 75209</small>	
GINN, INC.			
Consulting Engineers Dallas, Texas			
Designed - C.S.	Drawn - S.L.C.	Date - JANUARY, 1987	Job No. - 217
Approved -	Checked - R.K.	Scale - 1/8" = 1'-0"	Sheet S1 of 5

2-6-87