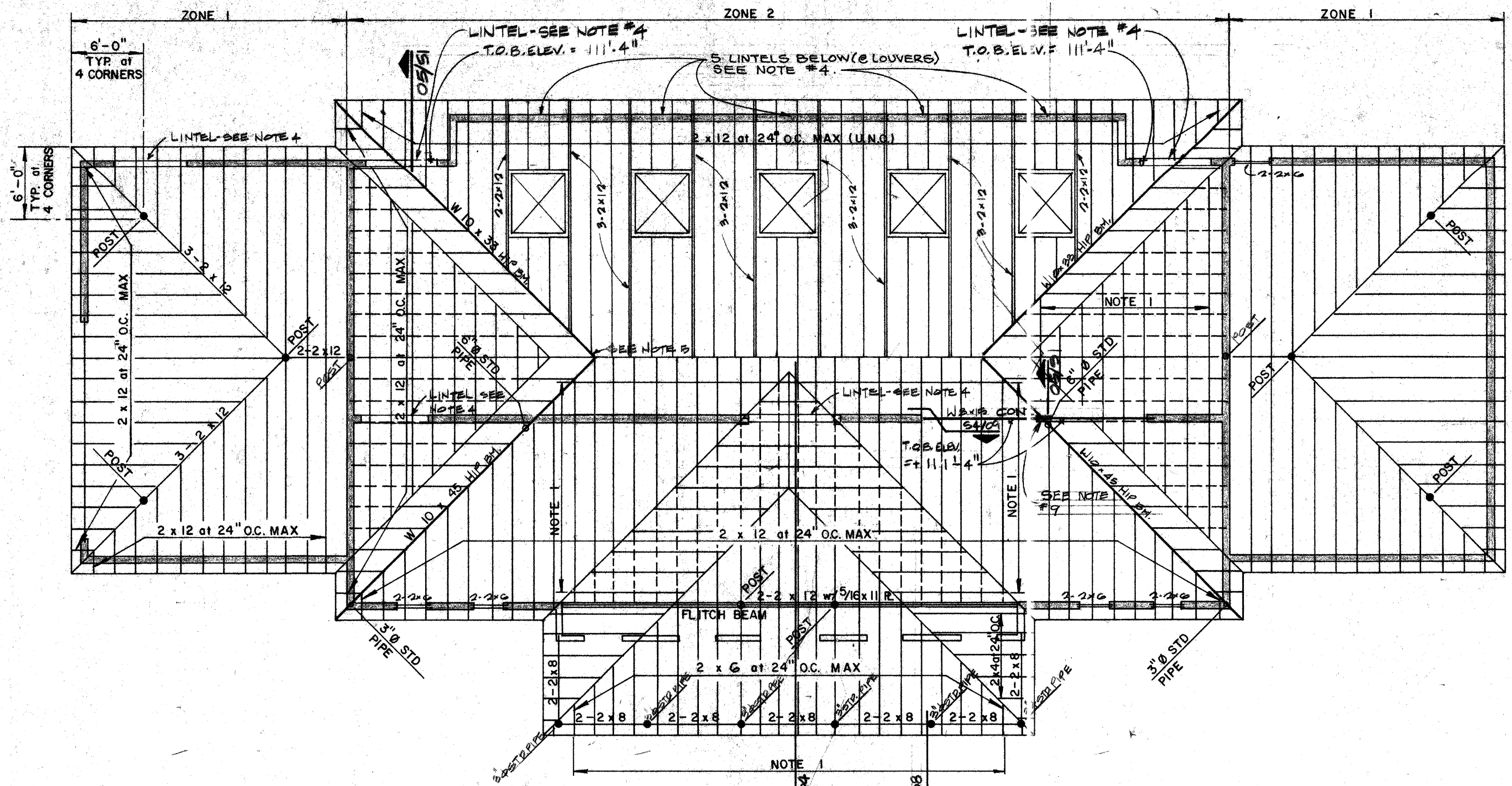
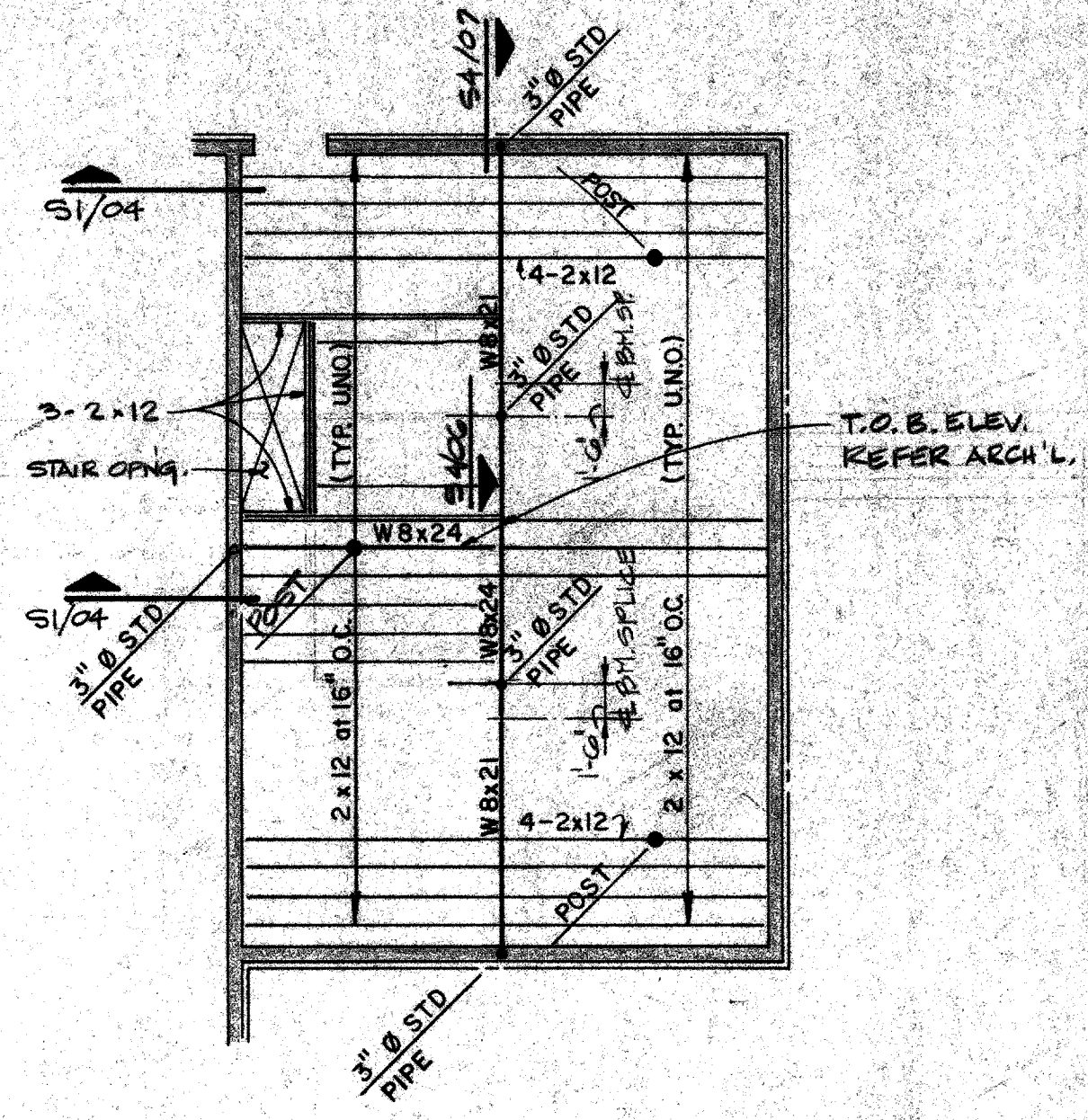


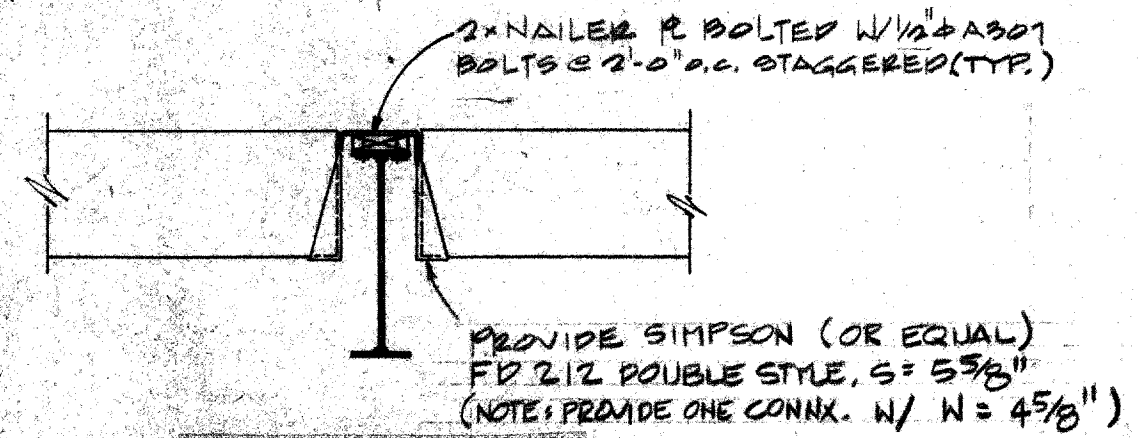
02 GARAGE STORAGE FRAMING PLAN
SCALE: 1/8" = 1'-0"



01 ROOF FRAMING PLAN
SCALE: 1/8" = 1'-0"



03 ATTIC STORAGE FRAMING PLAN
SCALE: 1/8" = 1'-0"



05 SECTION
SCALE: 3/4" = 1'-0" (TYP. UNO.)

Wood Framing Notes

- This project shall meet all requirements of the City of Addison, Texas.
- Design Loads:

Roof	16 PSF LL	15 PSF DL
Floors:		
Attic Storage	125 PSF LL	10 PSF DL
Garage Storage	40 PSF LL	10 PSF DL
- All joists, beams, and headers shall be #2 kiln-dried Southern Pine or #2 grade Douglas Fir-Larch as follows:
 - Douglas Fir-Larch

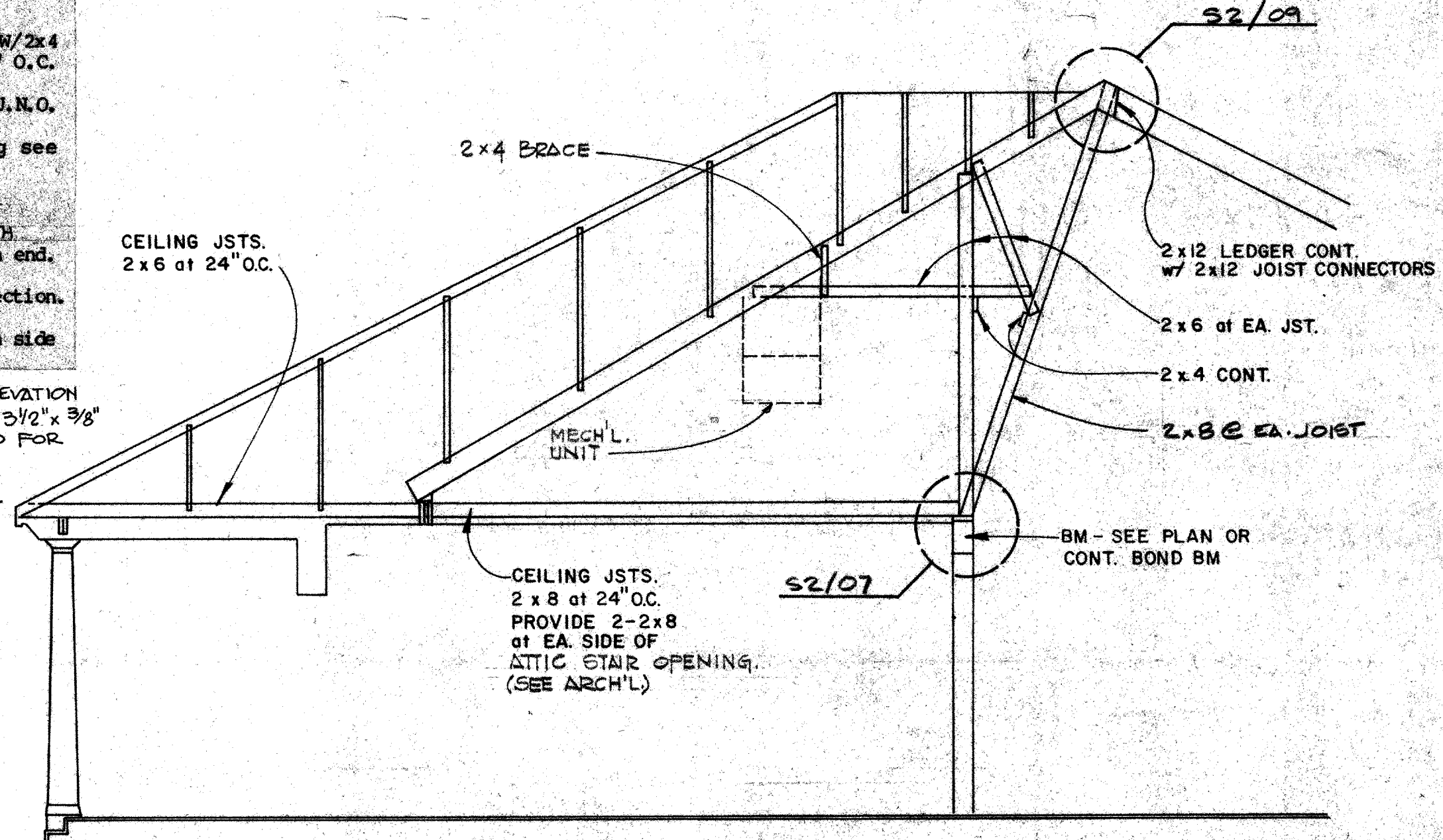
Single member use	F = 1,250 PSI; E = 1,700,000 PSI
Repetitive member use	F = 1,450 PSI; E = 1,700,000 PSI
 - Southern Pine

Single member use	F = 1,300 PSI; E = 1,600,000 PSI
Repetitive member use	F = 1,500 PSI; E = 1,600,000 PSI
- Provide Jamb stud plus stud for header spans 4'-6" or less and two jamb studs plus two studs for spans over 4'-6" except as noted. Headers in non-loading walls not shown on the plans to be on flat 2x4 Headers in exterior walls not shown to be two 2x4's.
- Where beams are perpendicular to walls, provide one stud for each member at each end.
- All load bearing walls are indicated by shading.
- Provide continuous horizontal blocking between studs in 2x stud walls @ a maximum spacing of 6'-0" o.c. where wall is not finished.
- All fitch beams shall be bolted together between with 1/2" diameter A307 bolts staggered top and bottom (3" clear at top and bottom) at 24" o.c. max. cluster 2 bolts at each end of fitch beam.
- Studs:

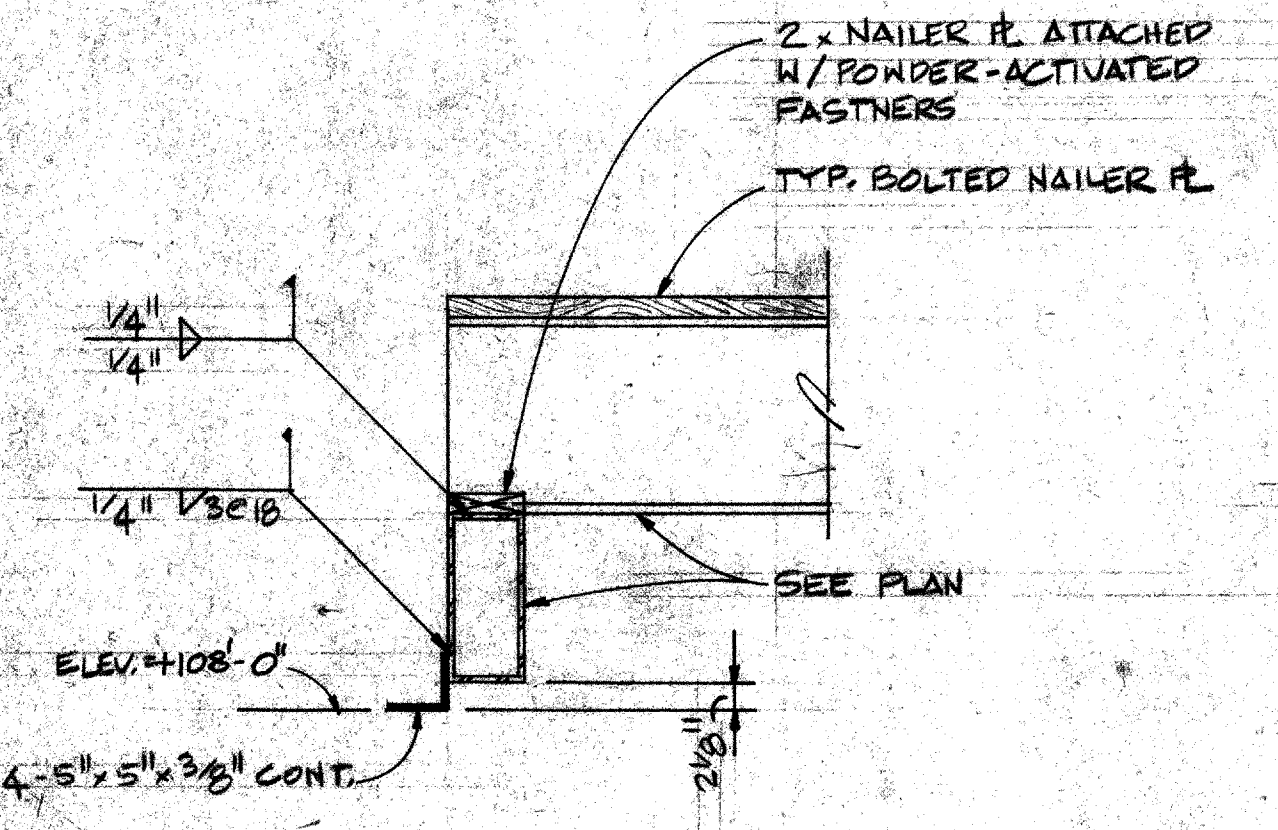
Exterior walls	2x6 @ 16" O.C. (#2 KD Southern Pine or #2 Grade Douglas Fir-Larch)
Interior Load-bearing Walls	2x6 @ 16" O.C. (#2 KD Southern Pine or #2 Douglas Douglas Fir-Larch)
Interior Non-loadbearing Walls	2x4 @ 24" O.C. (stud grade-all woods).

GENERAL NOTES:

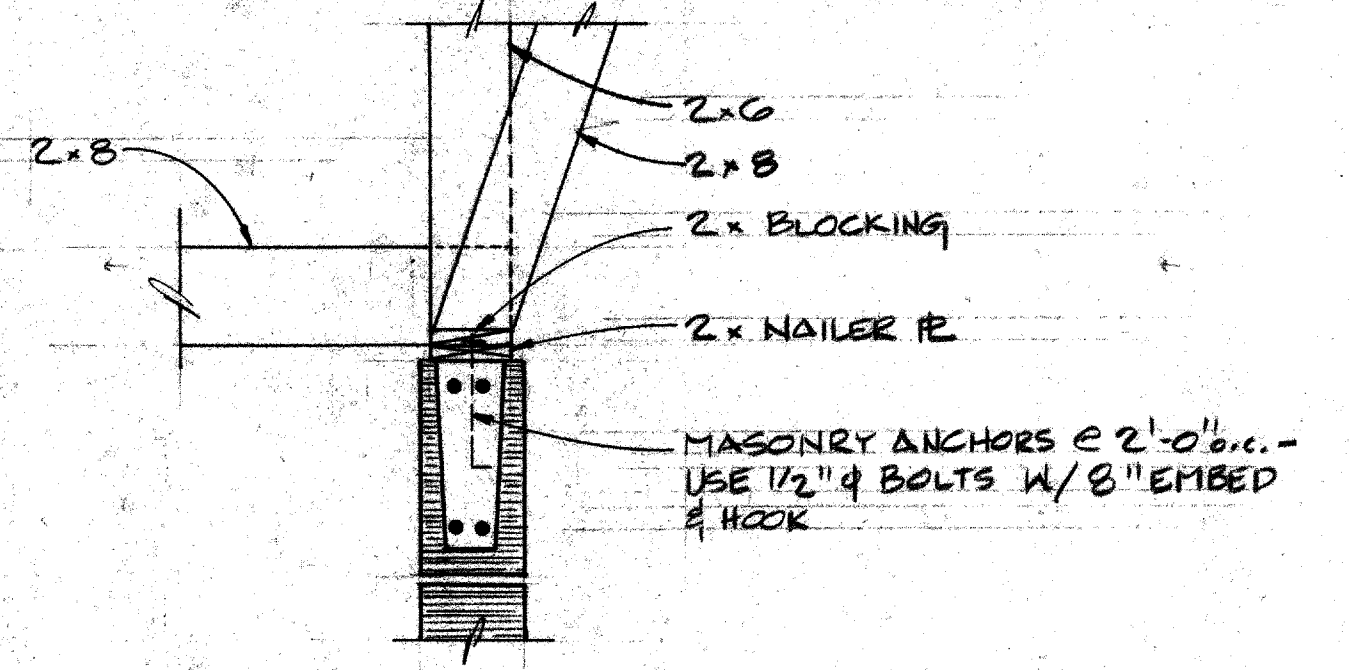
- Provide 2x4 @ 24" O.C. job frame w/2x4 supports off of 2x12 rafters @ 4'-0" O.C.
- Framing not shown to be symmetrical U.N.O.
- Zone- Indicates roof deck framing see plywood roof deck notes on 54
- Lintel-16" Deep trough w/2x8 top and bottom FILLED WITH CONCRETE, minimum 2" bearing each end.
- Provide one sided beam connection.
- Post to be minimum 3-2x4 nailed each side @ 6" O.C. w/10d common nails.
- T.O.B. - INDICATES TOP OF BEAM ELEVATION
- LOOSE LINTEL - PROVIDE L-4"x3 1/2"x3/8" (LLV) W/8" MIN. BEARING EA. END FOR OPENINGS 6'-0" AND LESS.
- PROVIDE 1-4" WIDE BLOCK COL. W/2-#5 (FULL HGT.) IN EA. CELL (GROUT SOLID)



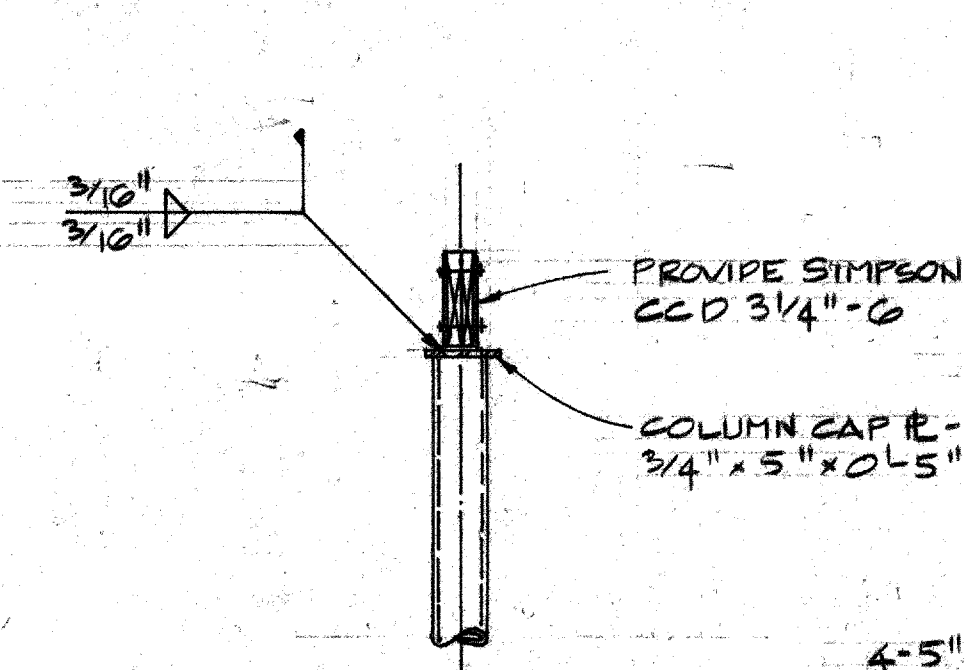
04 BUILDING SECTION



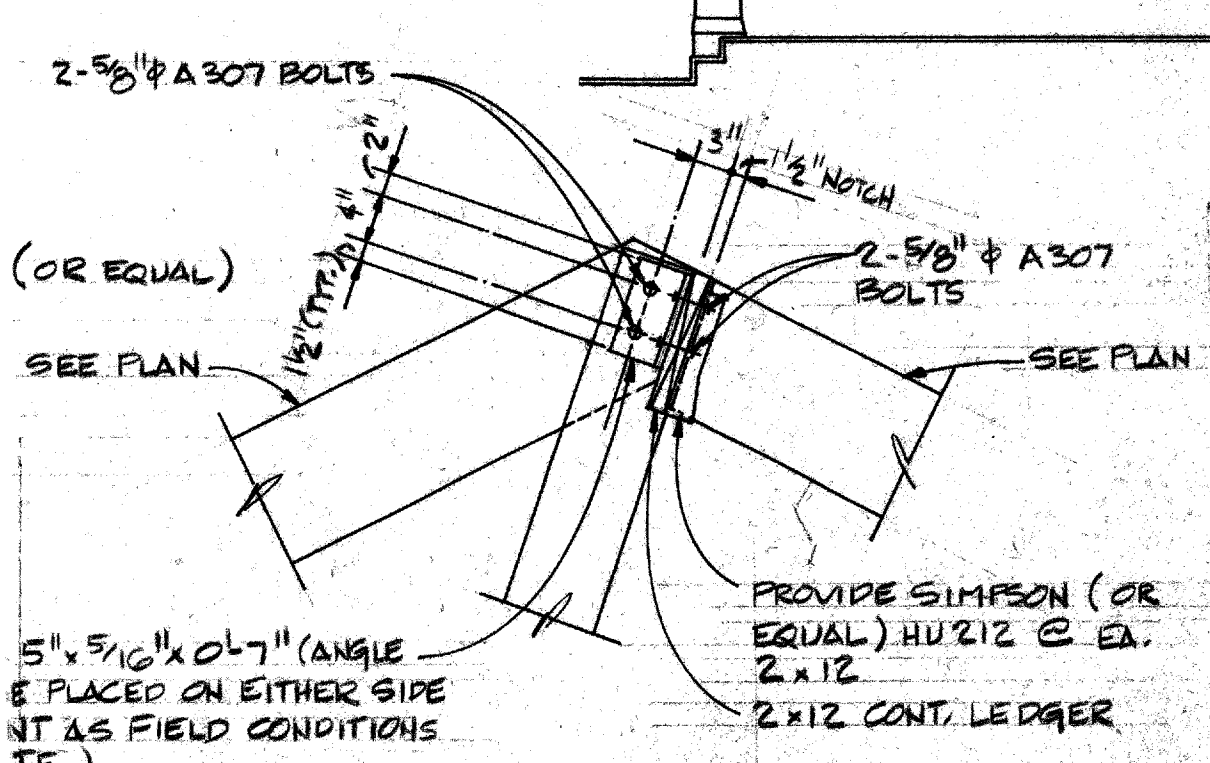
06 SECTION



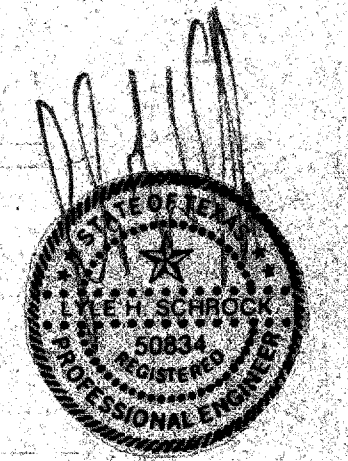
07 SECTION



08 SECTION



09 SECTION



Revision	By	Date
TOWN OF ADDISON DALLAS COUNTY, TEXAS		
CELESTIAL ROAD PUMP STATION		
GINN & HARRIS, INC.		ROOF FRAMING PLAN & FRAMING DETAILS
Structural Engineers		Highland Park West 4300 MacArthur Avenue, Suite 105 Dallas, Texas 75206 (214) 358-5991
GINN, INC. Consulting Engineers Dallas, Texas		
Designed - C.S.	Drawn - S.L.C.	Date - JANUARY, 1987 Job No. - 217
Approved -	Checked - R.K.	Scale - AS NOTED Sheet 52 of 5

2-6-87