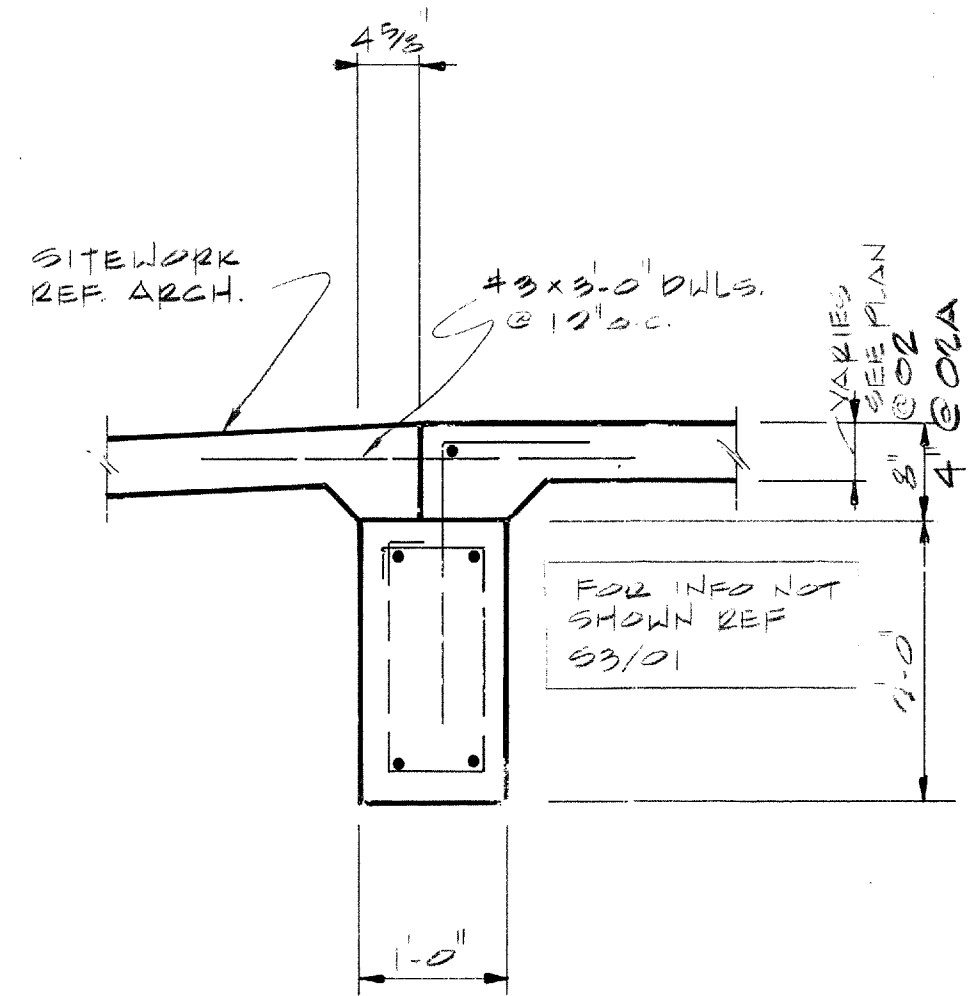
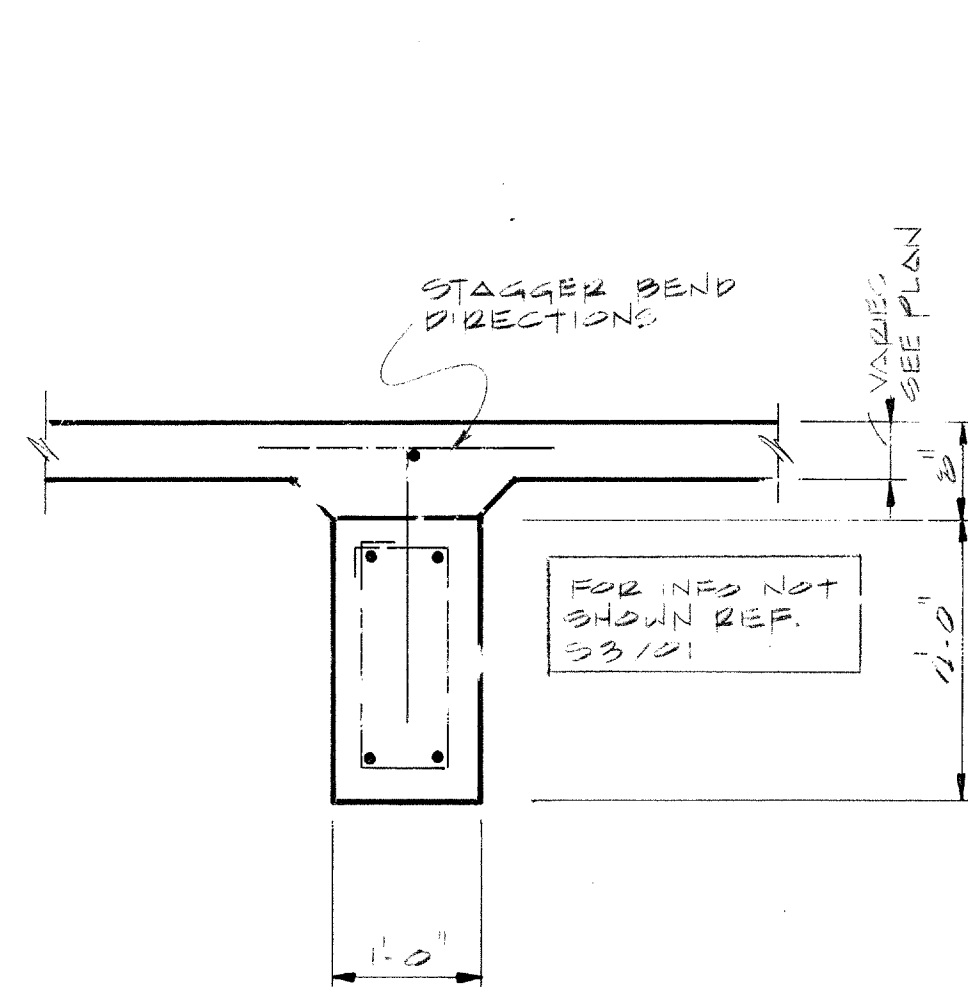


01 SECTION

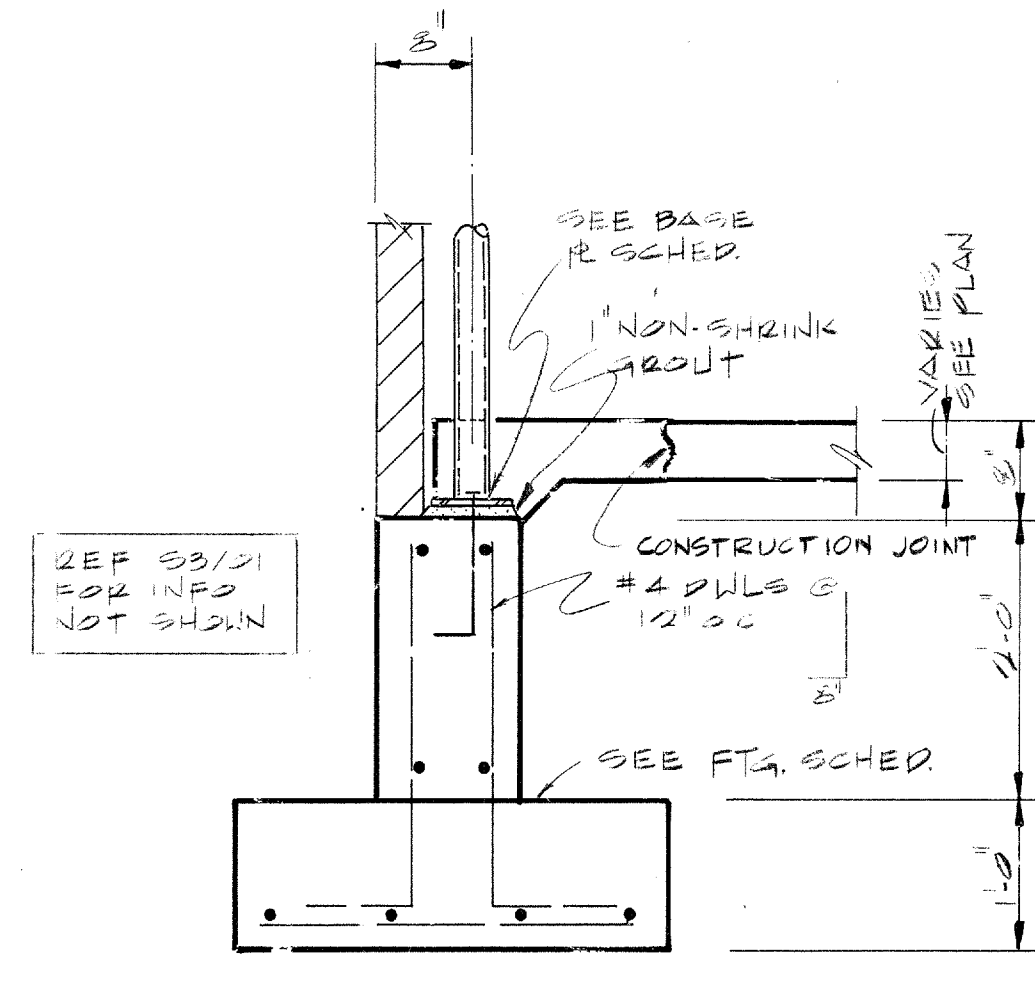
SCALE: 3/4" = 1'-0" (TYP UNO)



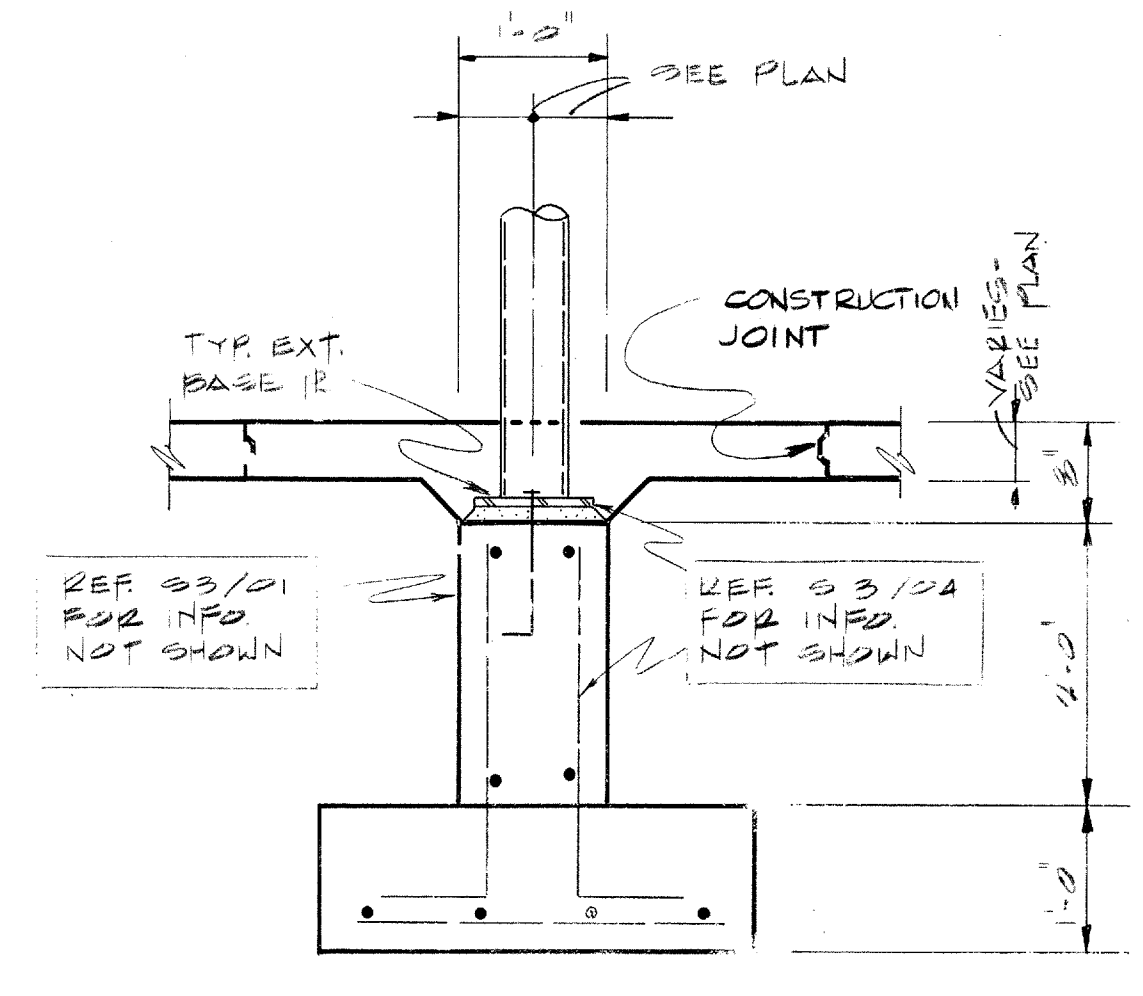
02 SECTION



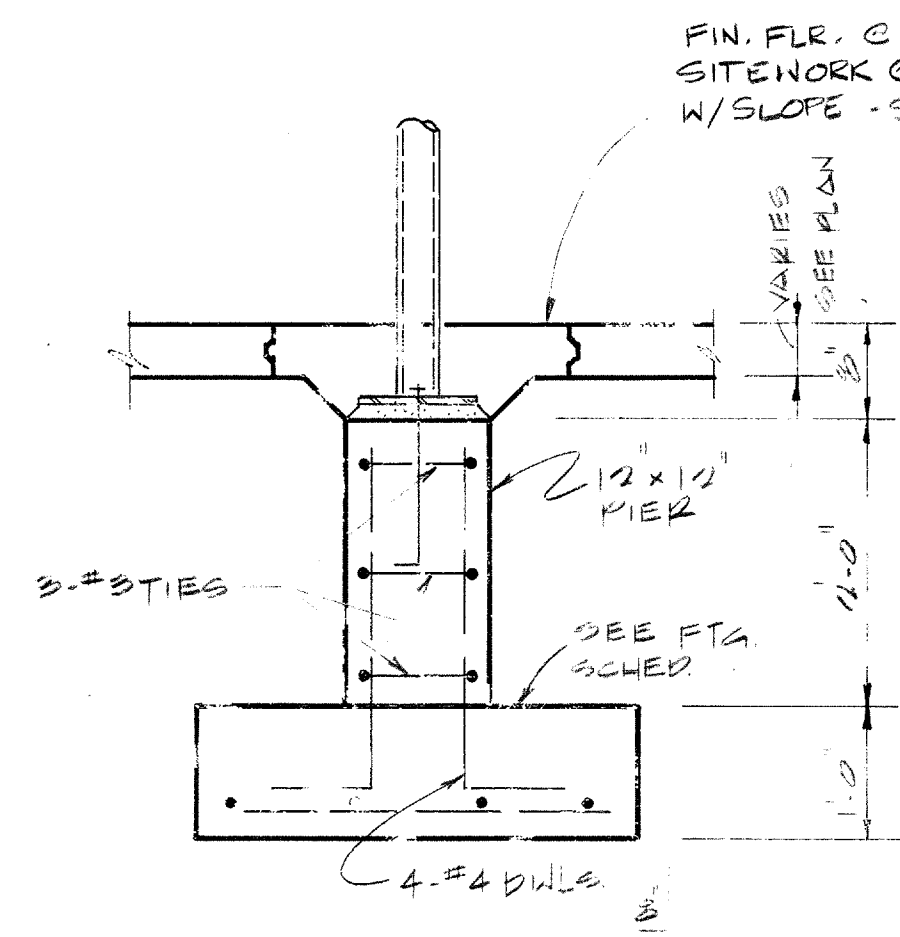
03 SECTION



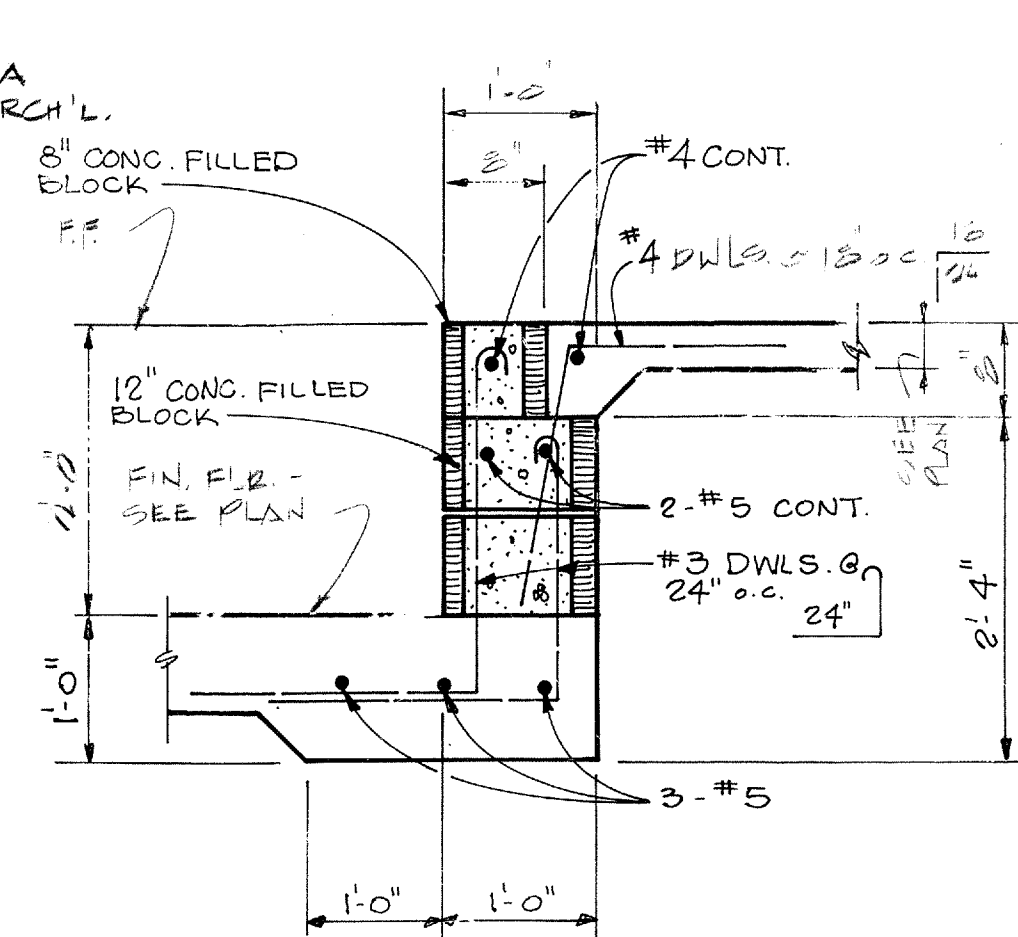
04 SECTION



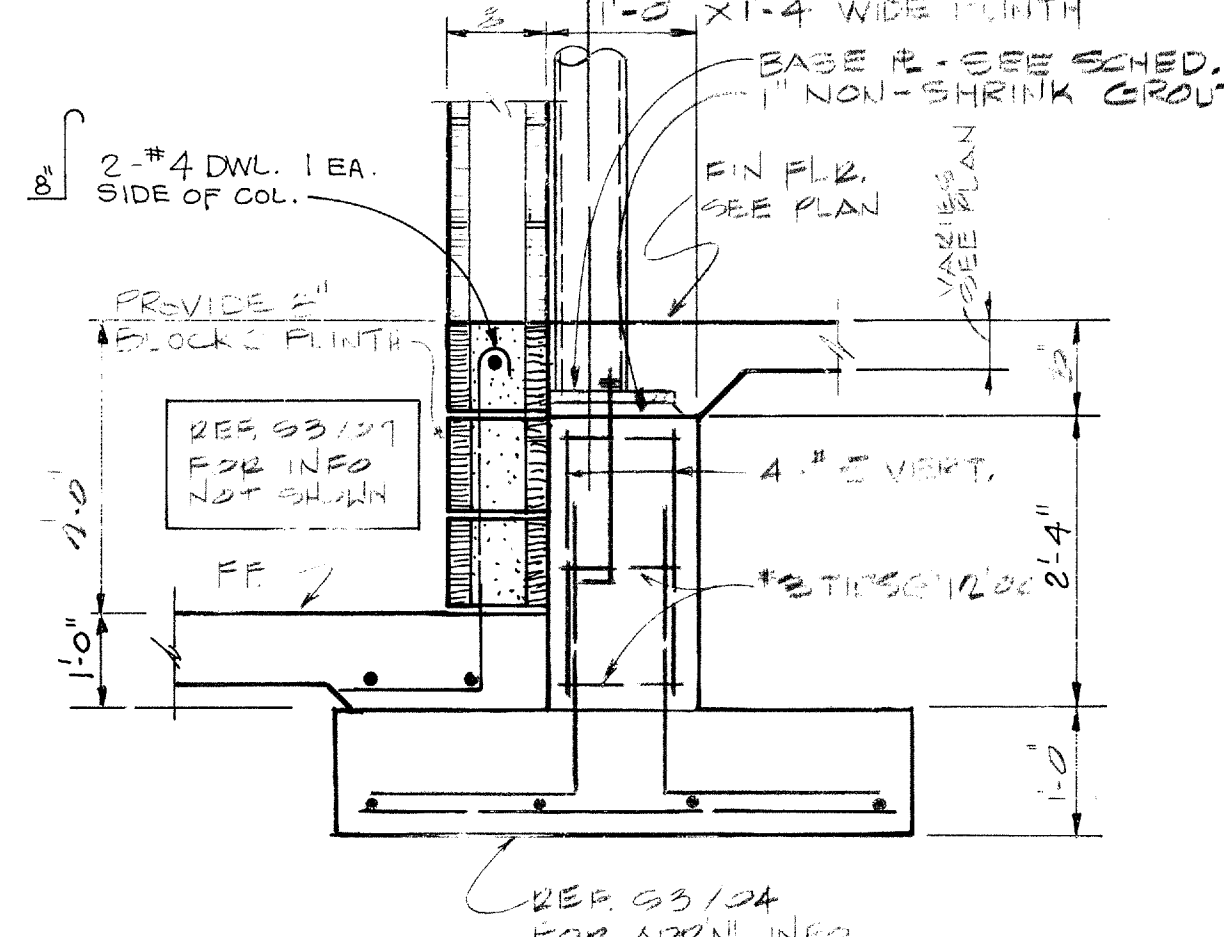
05 SECTION



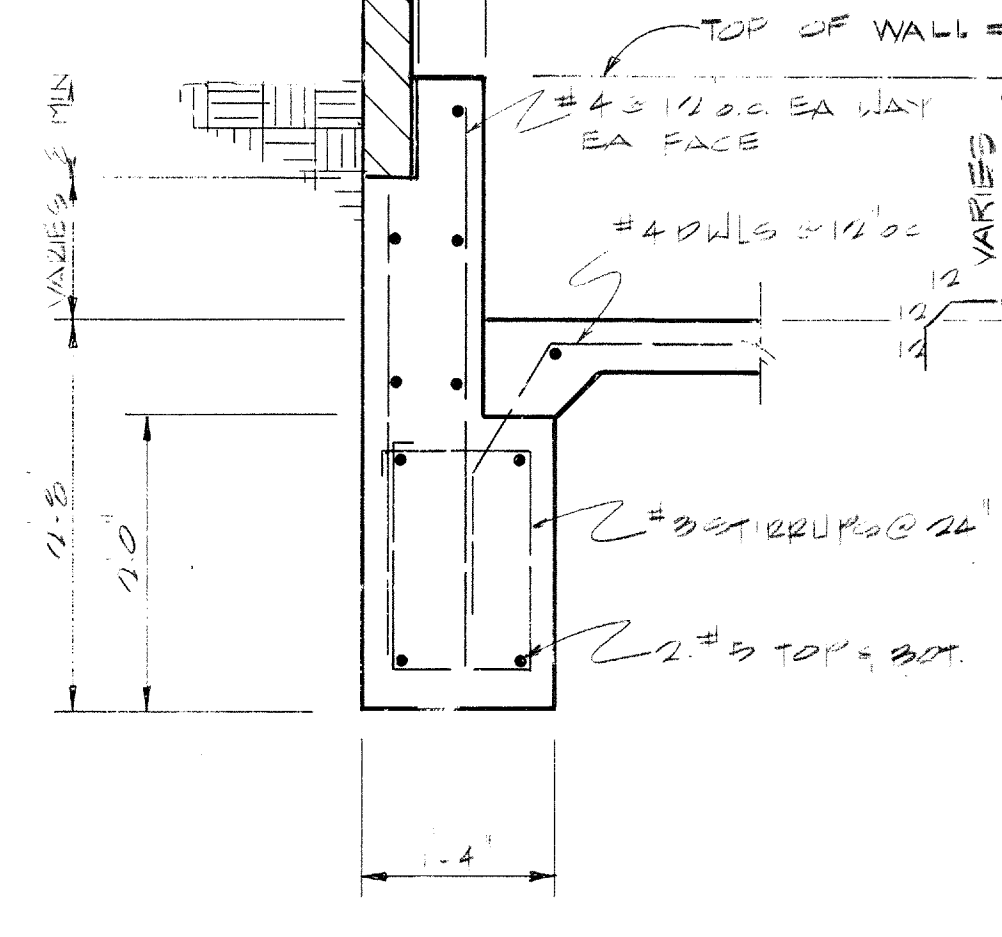
06,06A SECTION



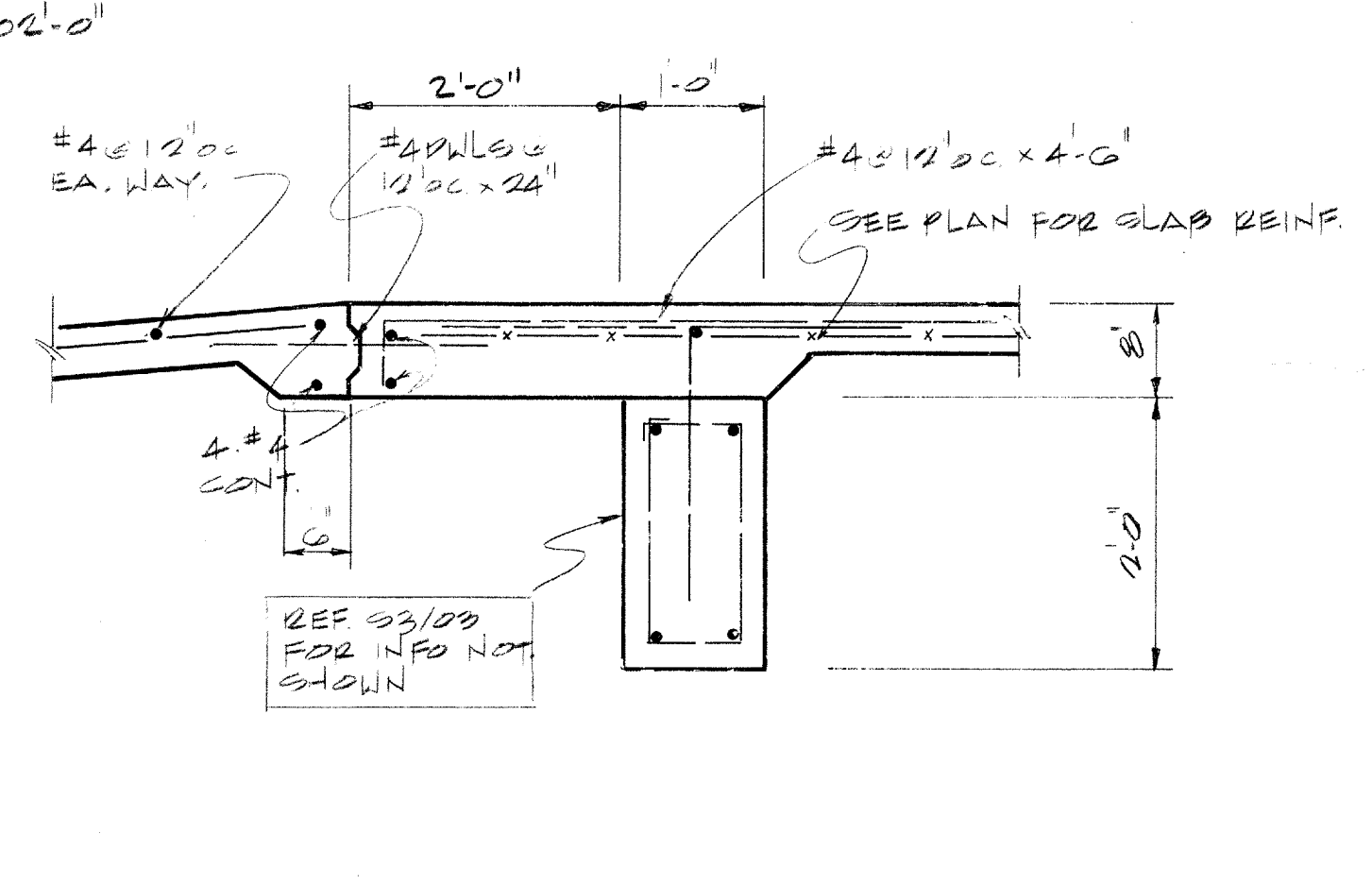
07 SECTION



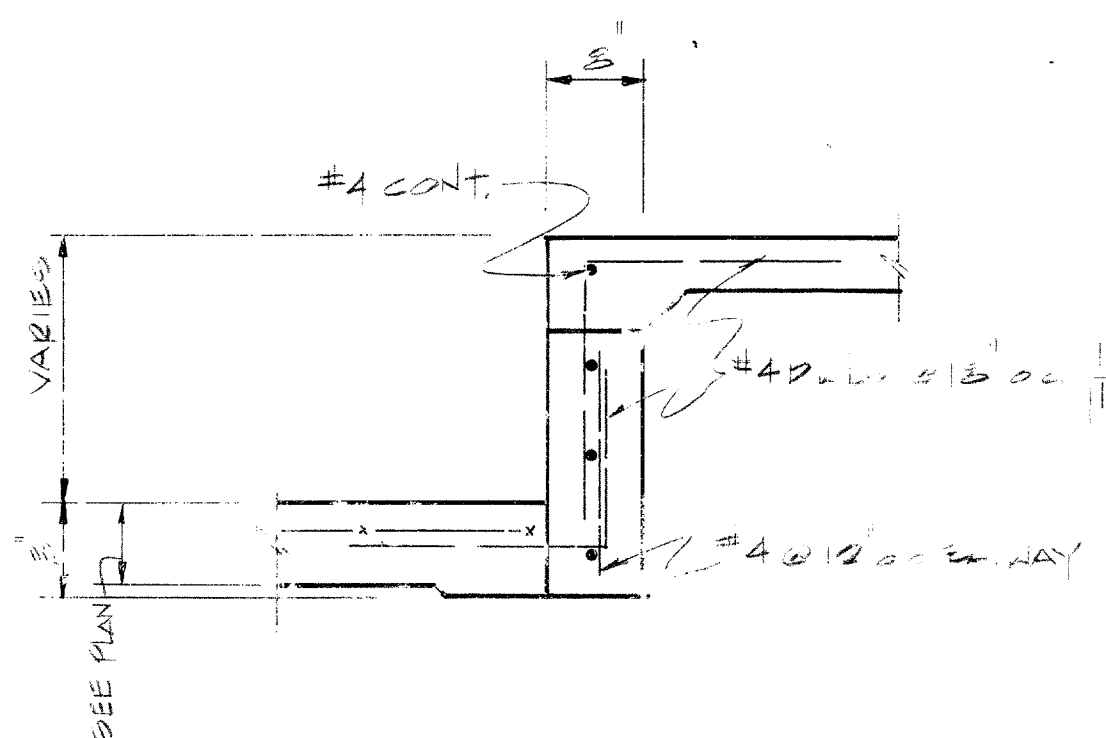
08 SECTION



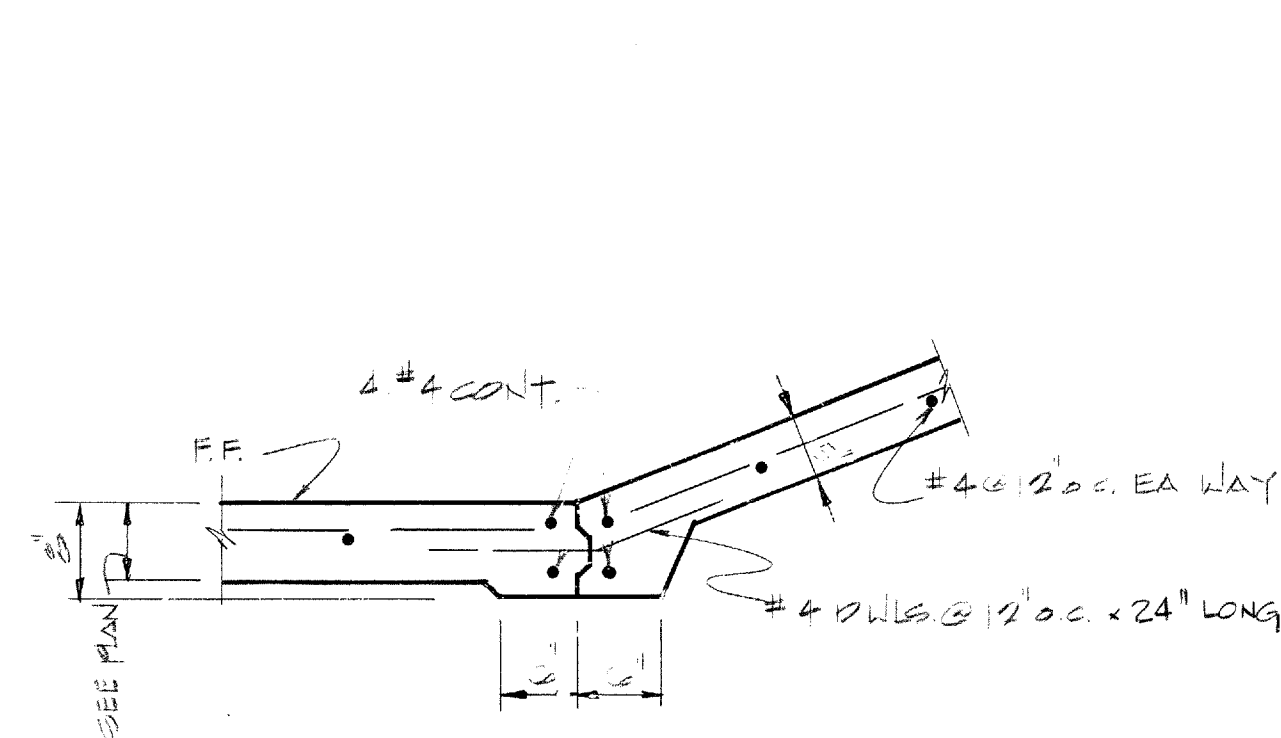
09 SECTION



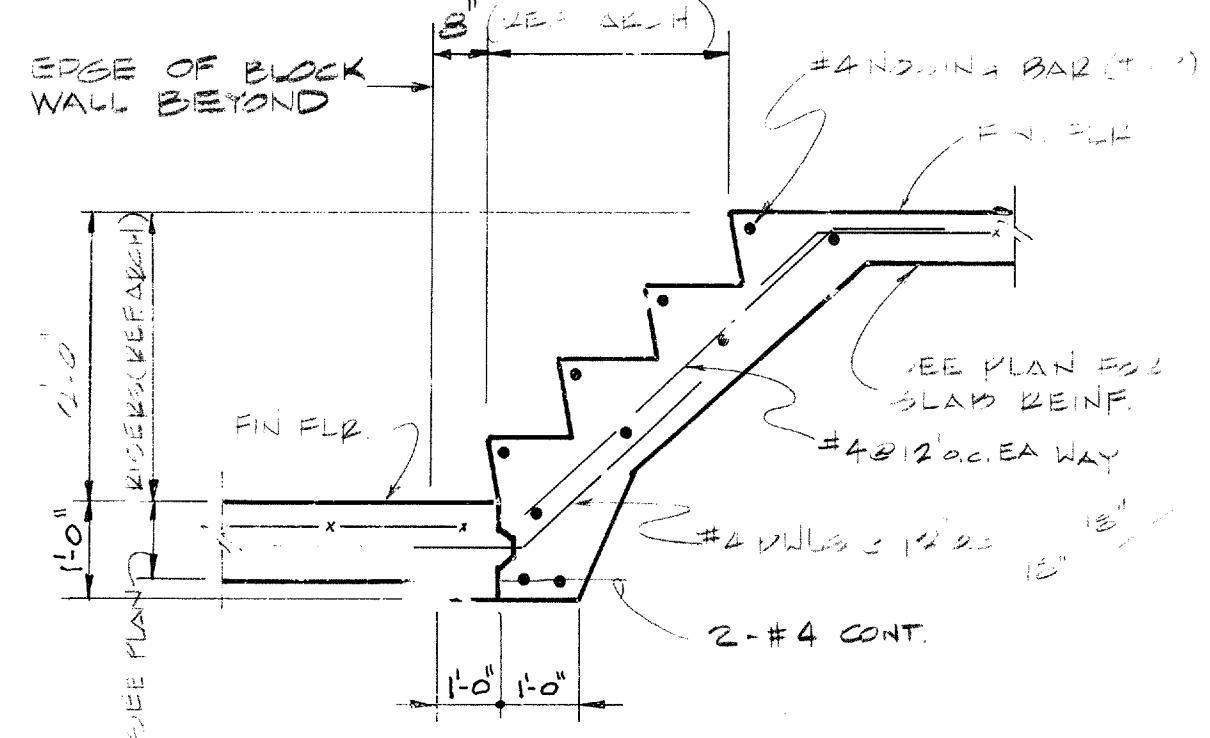
10 SECTION



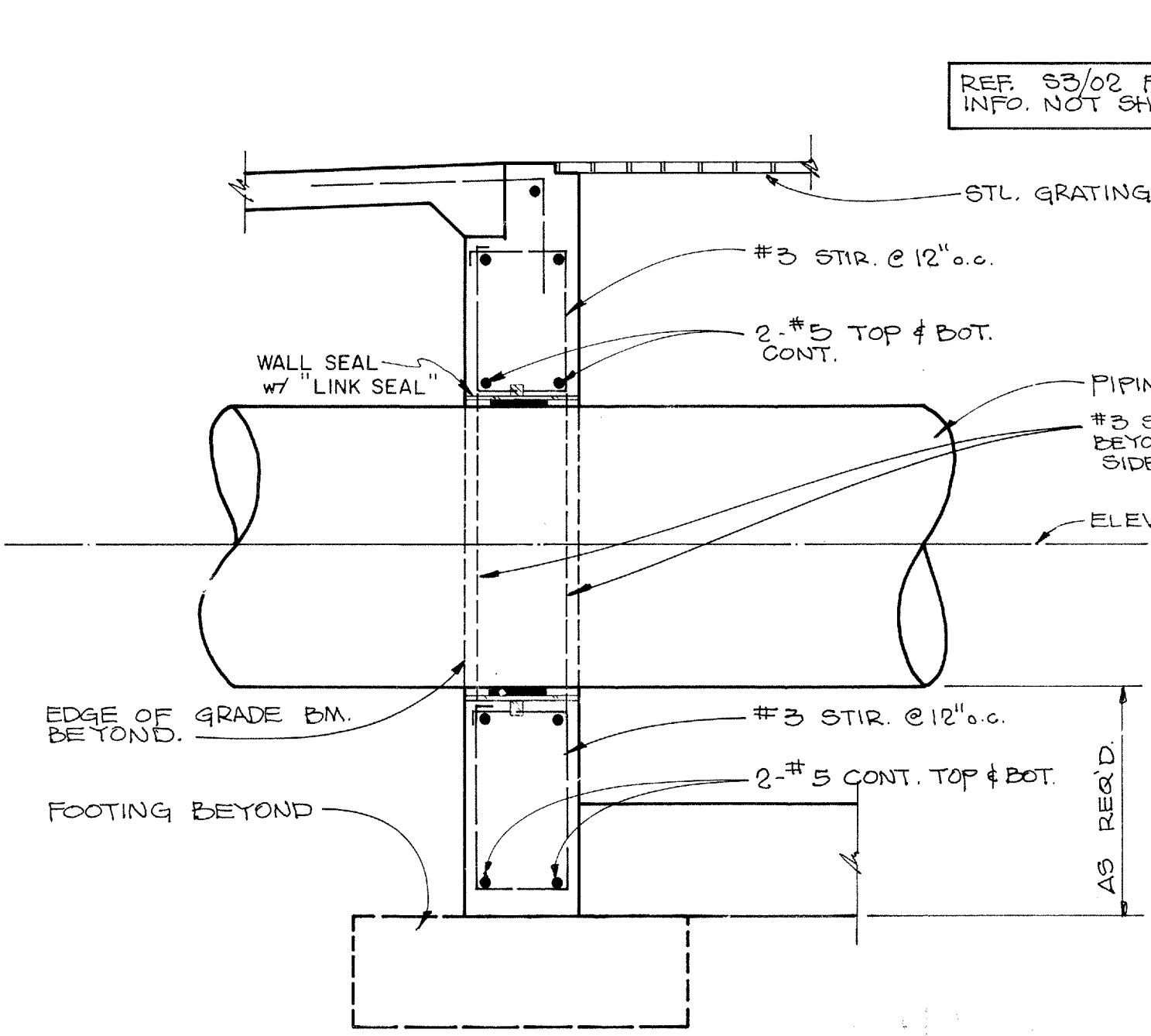
11 SECTION



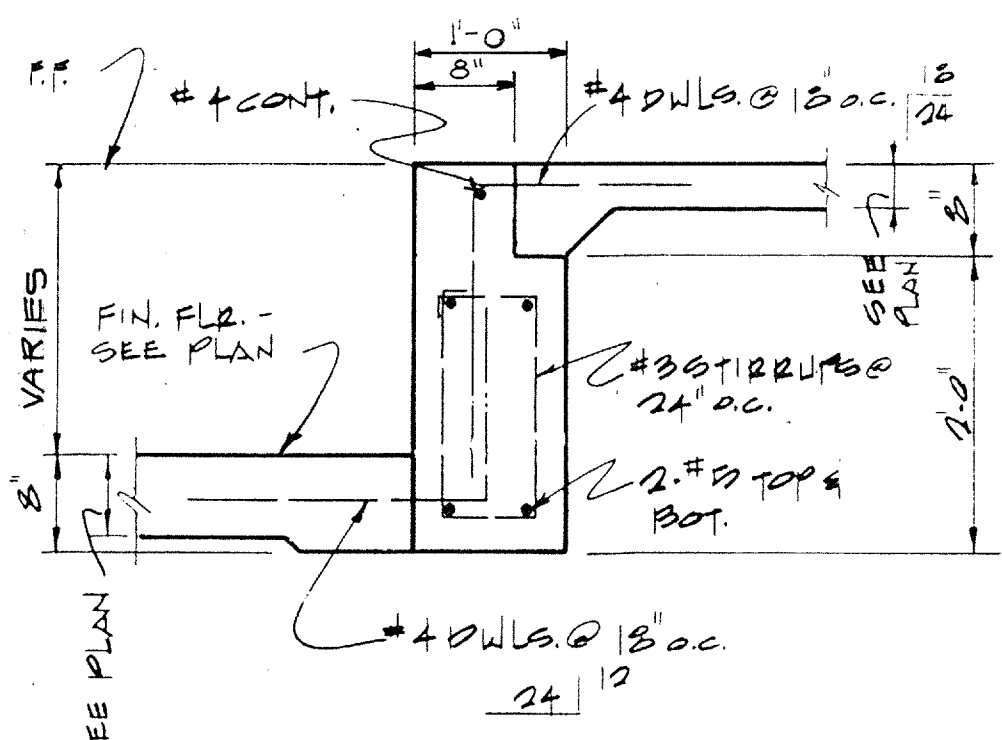
12 SECTION



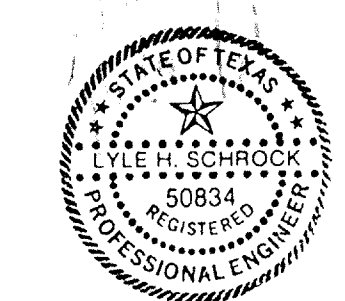
13 SECTION



14 SECTION



15 SECTION



No.	Revision	By	Date
TOWN OF ADDISON DALLAS COUNTY, TEXAS CELESTIAL ROAD PUMP STATION			
HIXSON & HARRIS, INC. Structural Engineers		FOUNDATION DETAILS	
GINN, INC. Consulting Engineers Dallas, Texas			
Designed - C.S.	Drawn - S.L.C.	Date - JANUARY, 1987	Job No. - 217
Approved -	Checked - R.K.	Scale - 3/4" = 1'-0"	Sheet S3 of 5