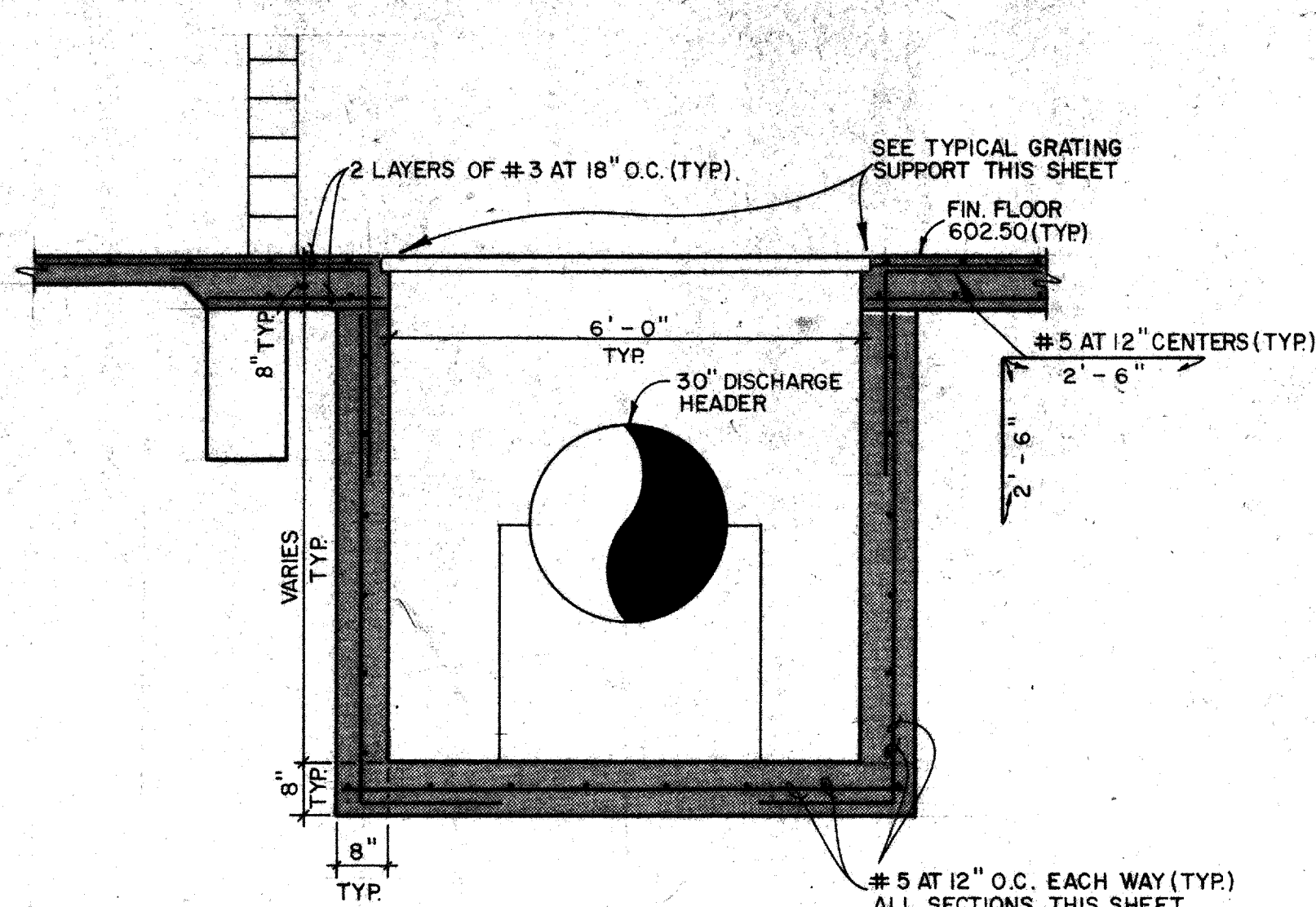
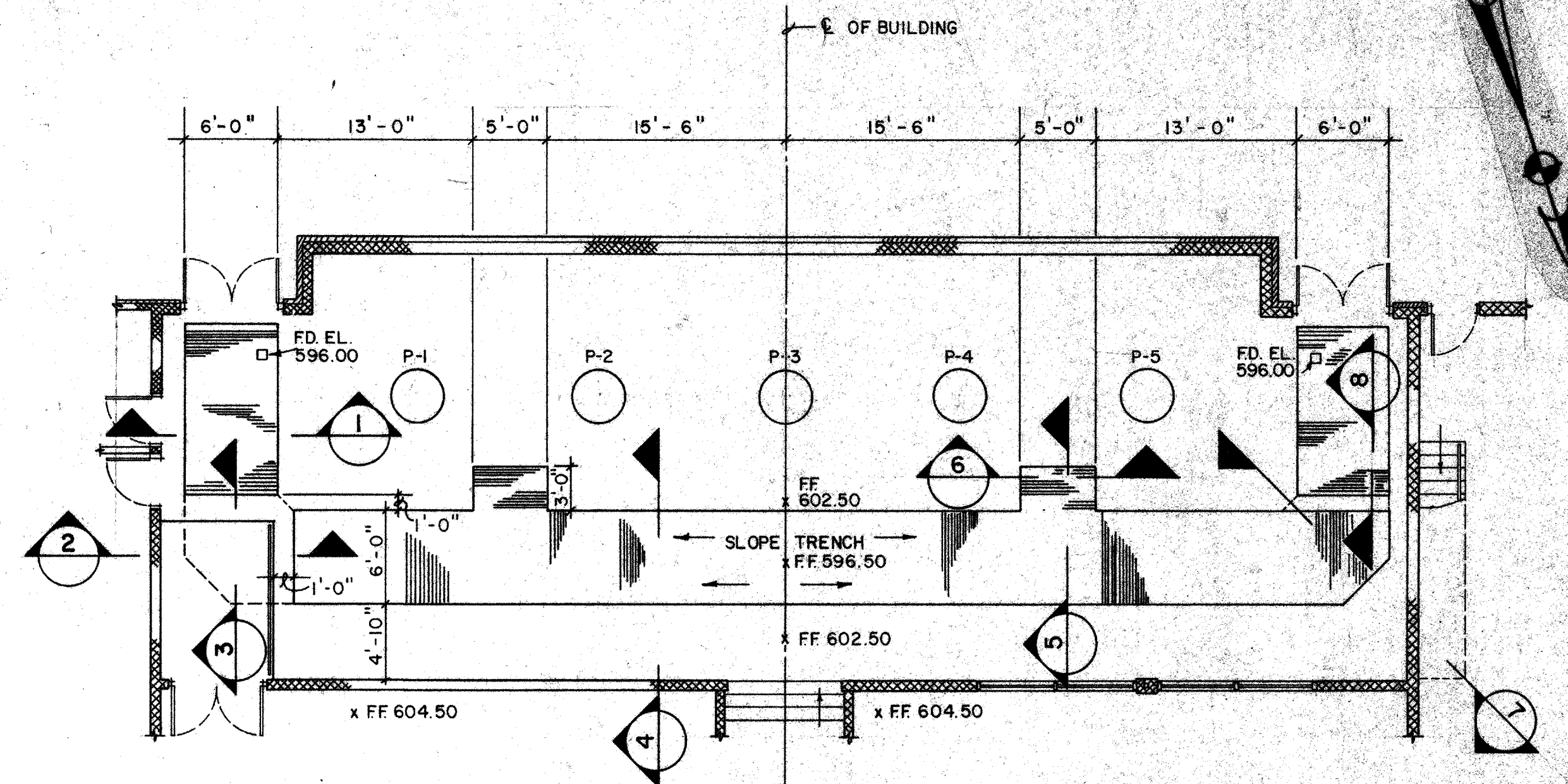


SECTION 2
SCALE - 1/2" = 1'-0"

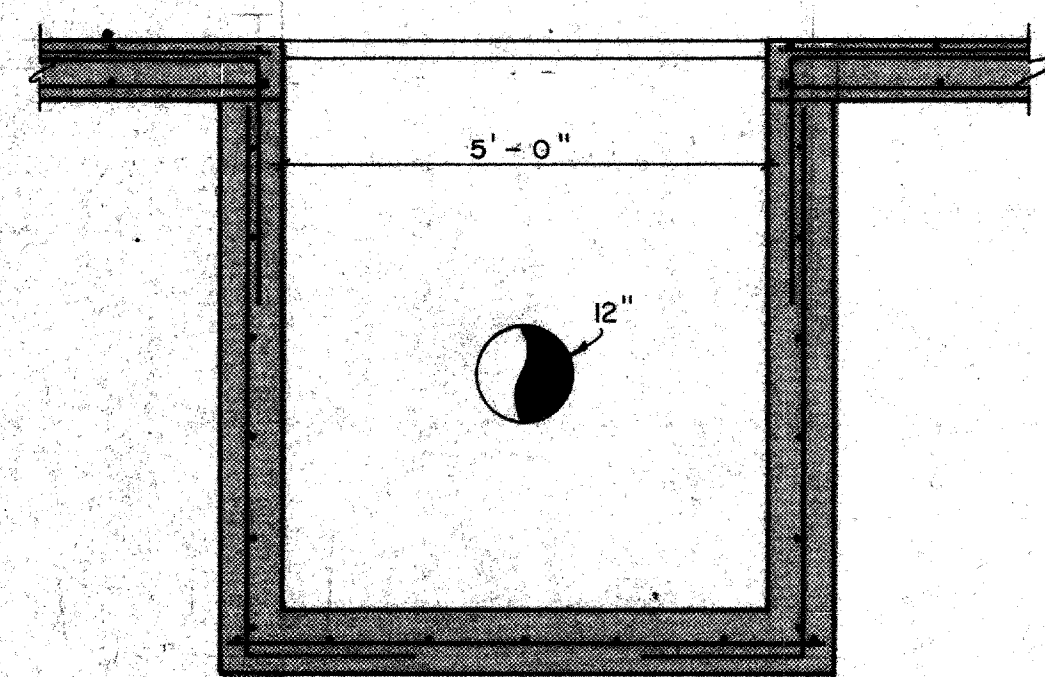
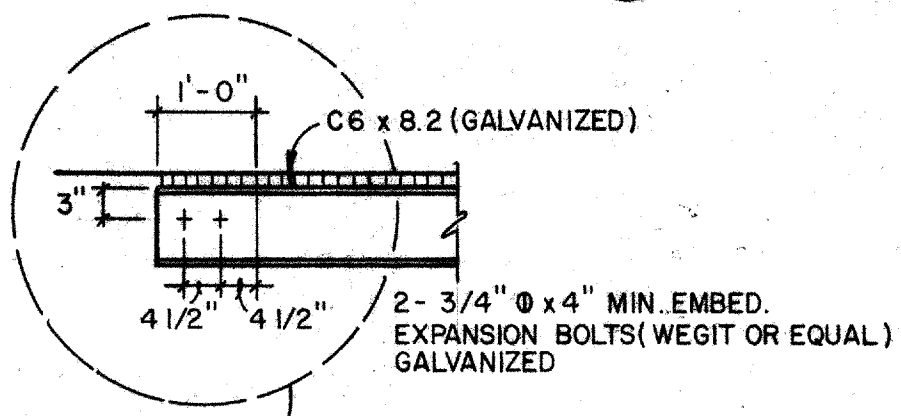


SECTION 1
SCALE - 1/2" = 1'-0"

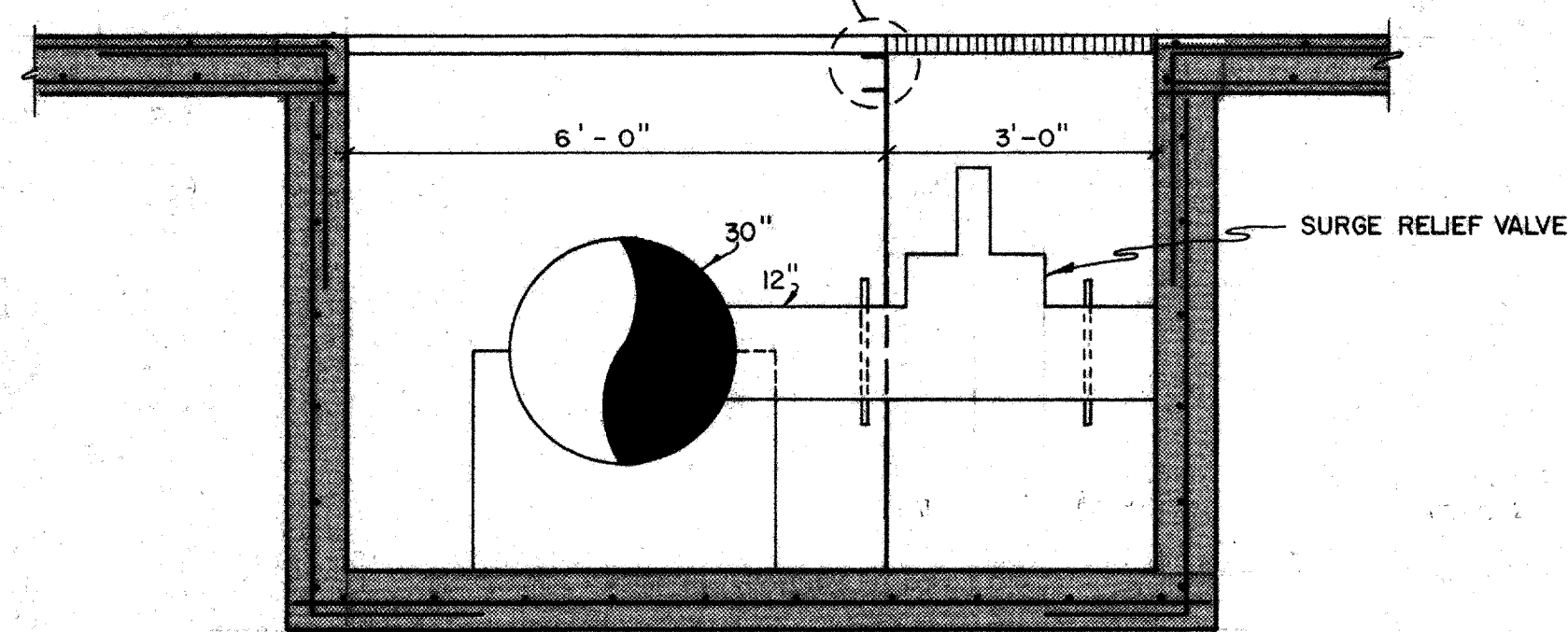


PUMP ROOM FOUNDATION PLAN
SCALE - 1/8" = 1'-0"

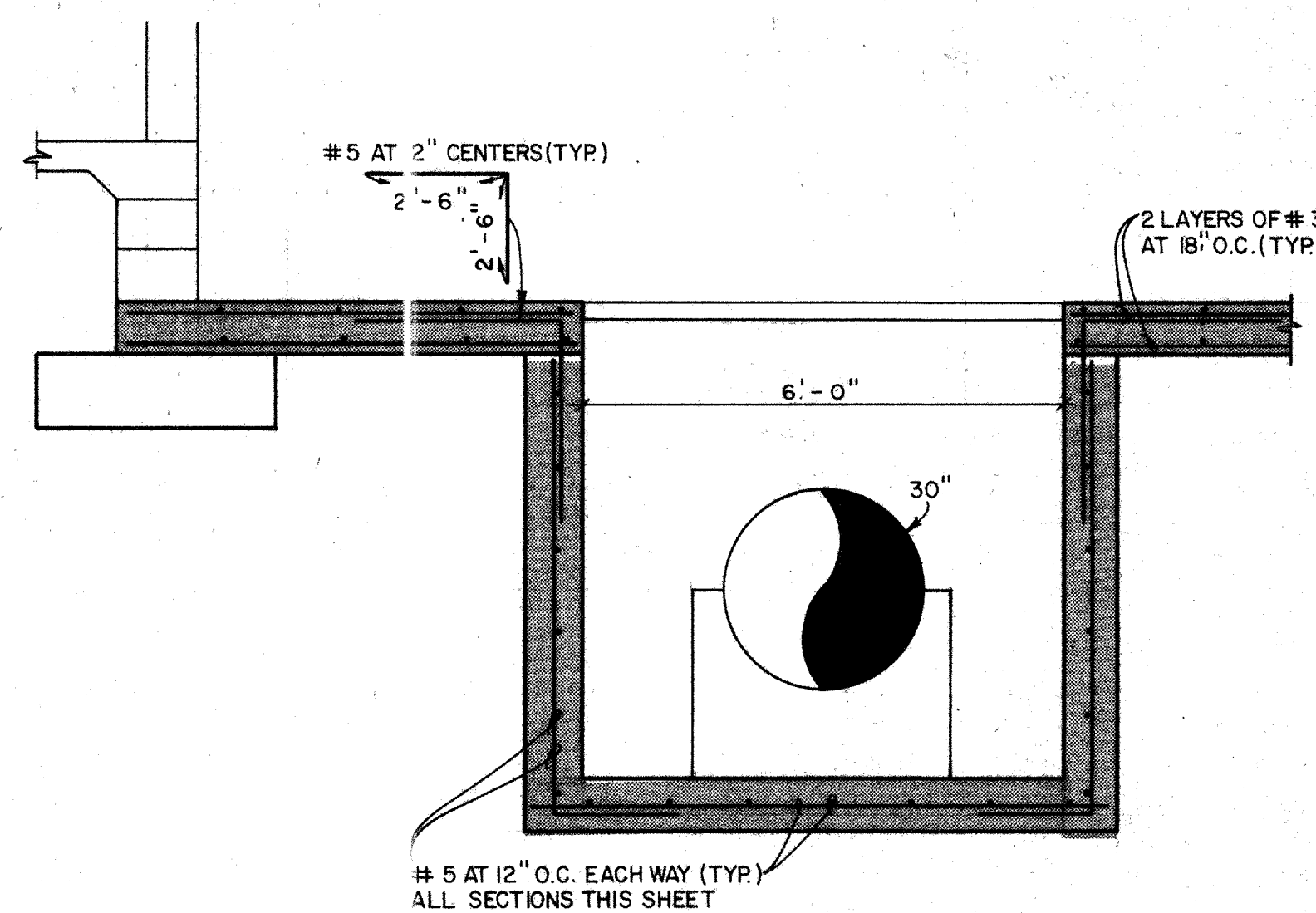
* ALL SECTIONS ARE SHOWN ON THIS SHEET



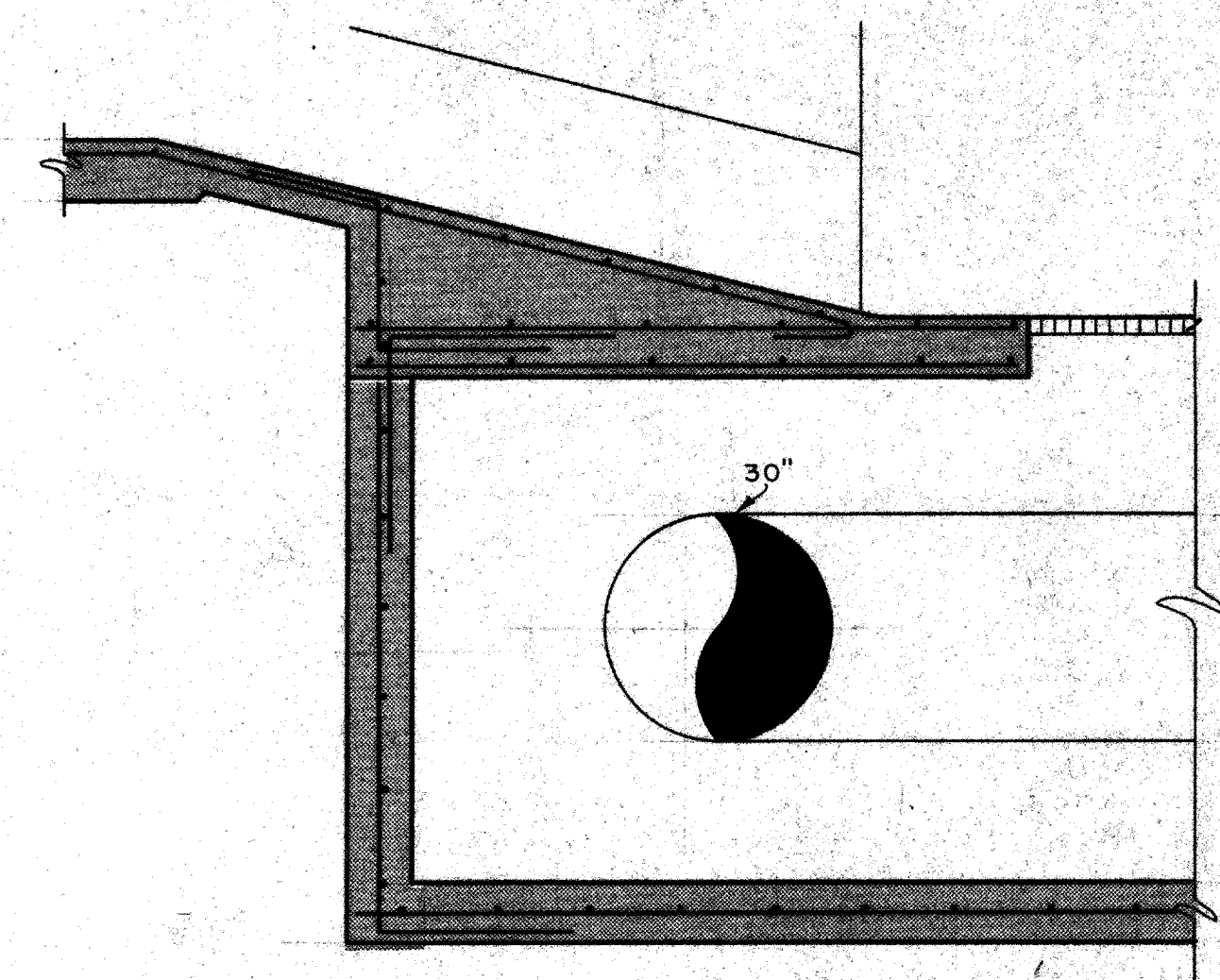
SECTION 6
SCALE - 1/2" = 1'-0"



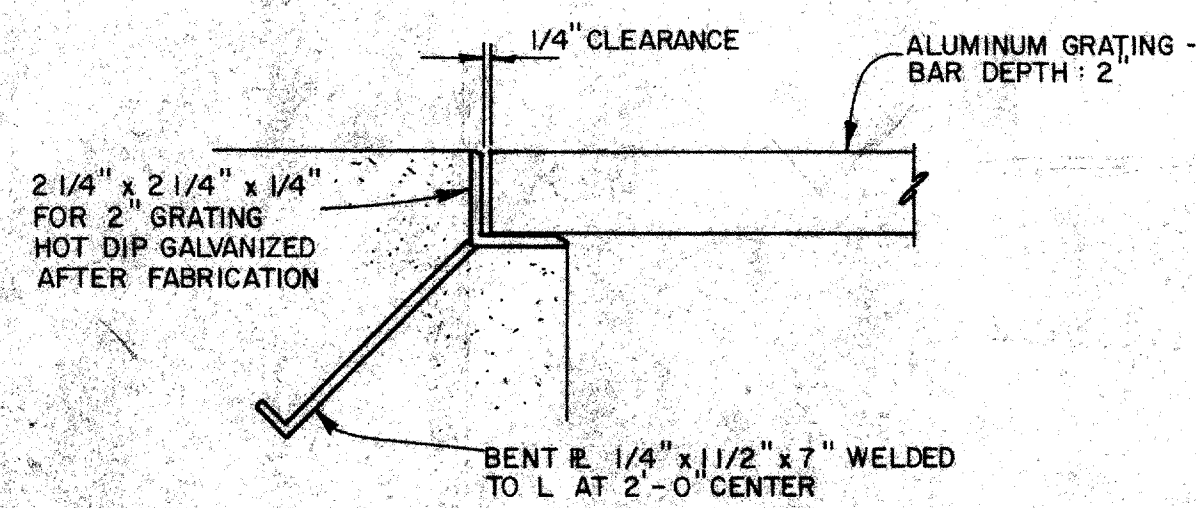
SECTION 5
SCALE - 1/2" = 1'-0"



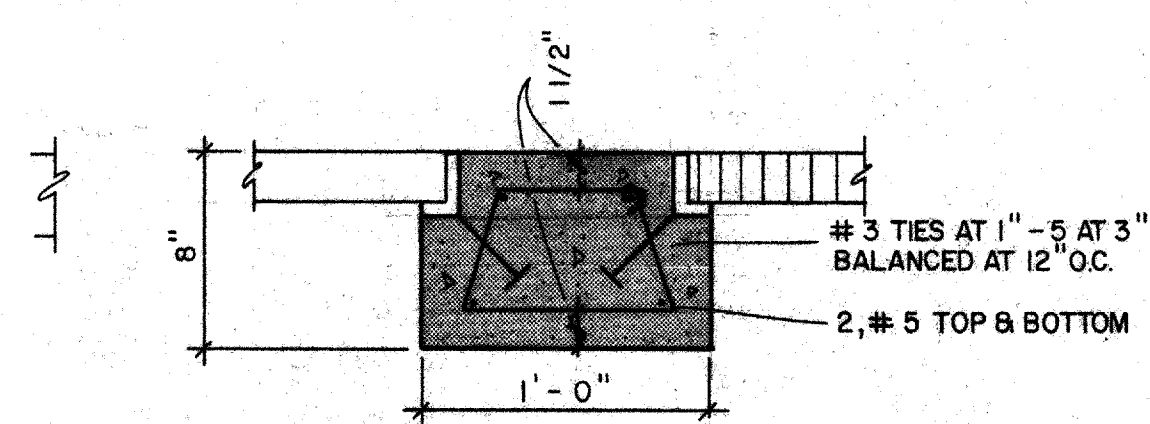
SECTION 4
SCALE - 1/2" = 1'-0"



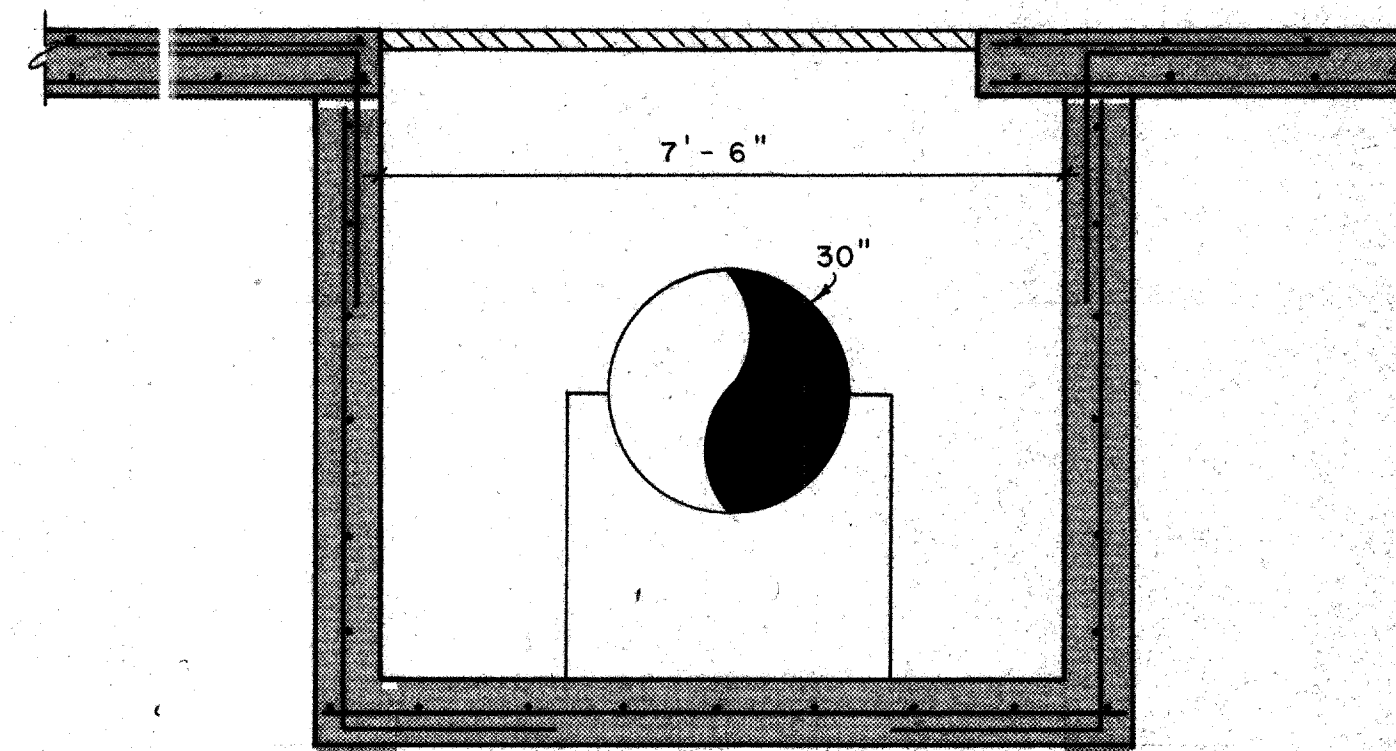
SECTION 3
SCALE - 1/2" = 1'-0"



TYPICAL GRATING SUPPORT
N.T.S.



SECTION 8
SCALE - 1/2" = 1'-0"



SECTION 7
SCALE - 1/2" = 1'-0"

- NOTES:
1. DEPTH OF PIT VARIES FROM 596.50 TO 596.00
 2. WIDTH OF PIT SHALL BE 6'-0" ALONG 30" HEADER
 3. WALL THICKNESS SHALL BE 8"
 4. FLOOR THICKNESS SHALL BE 8"
 5. UNLESS OTHERWISE NOTED, ALL REINFORCING SHALL BE # 5 AT 12" CENTERS.



Randall C. Hill
2-19-87

No.	Revision	By	Date
TOWN OF ADDISON DALLAS COUNTY, TEXAS			
CELESTIAL ROAD PUMP STATION			
PUMP ROOM FOUNDATION PLAN			
GINN, INC. Consulting Engineers Dallas, Texas			
Designed - R.C.H.	Drawn - B.S.	Date - JAN., 1987	Job No - 217
Approved - HWG	Checked - G.A.F.	Scale - AS SHOWN	Sheet - S5