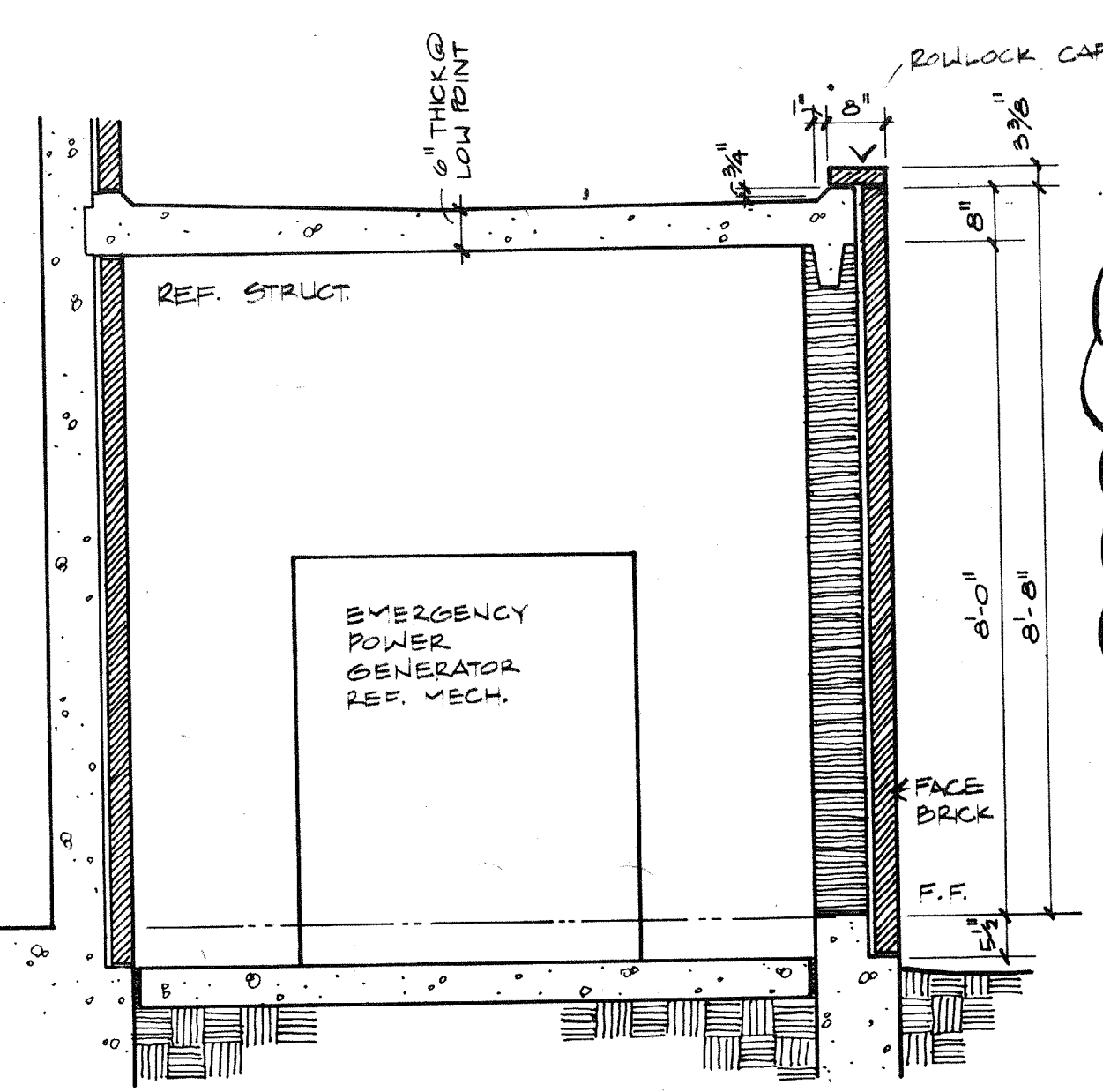
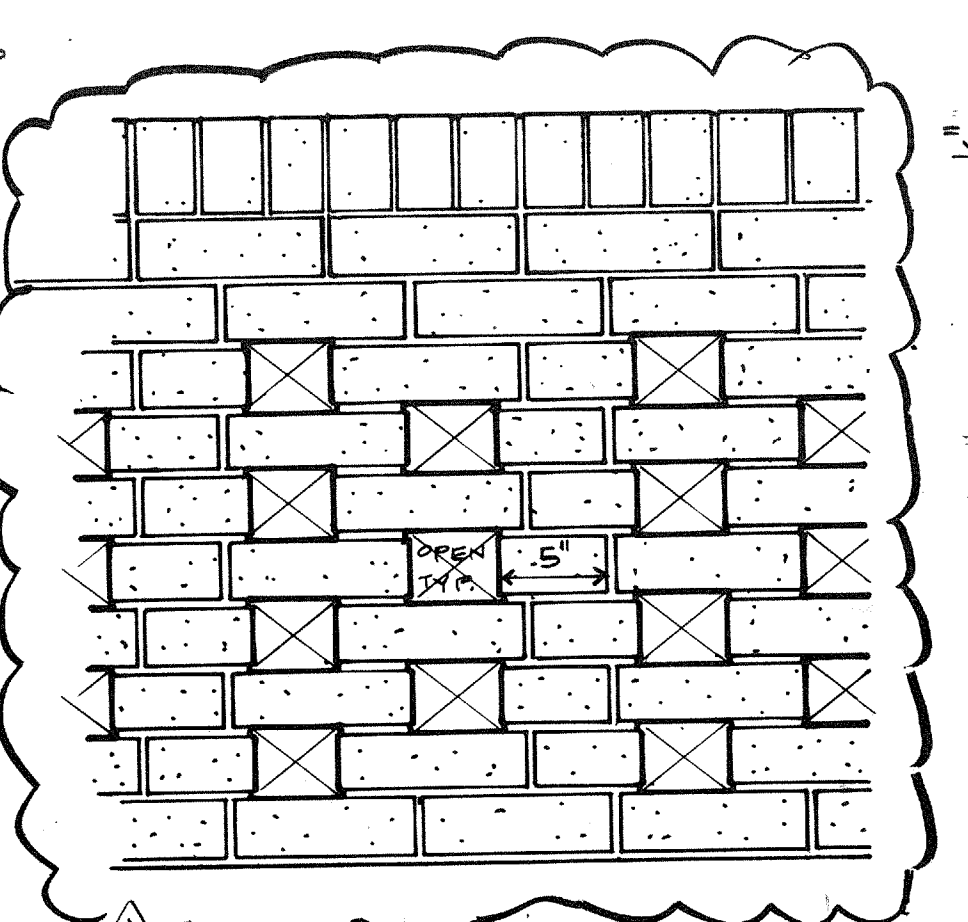


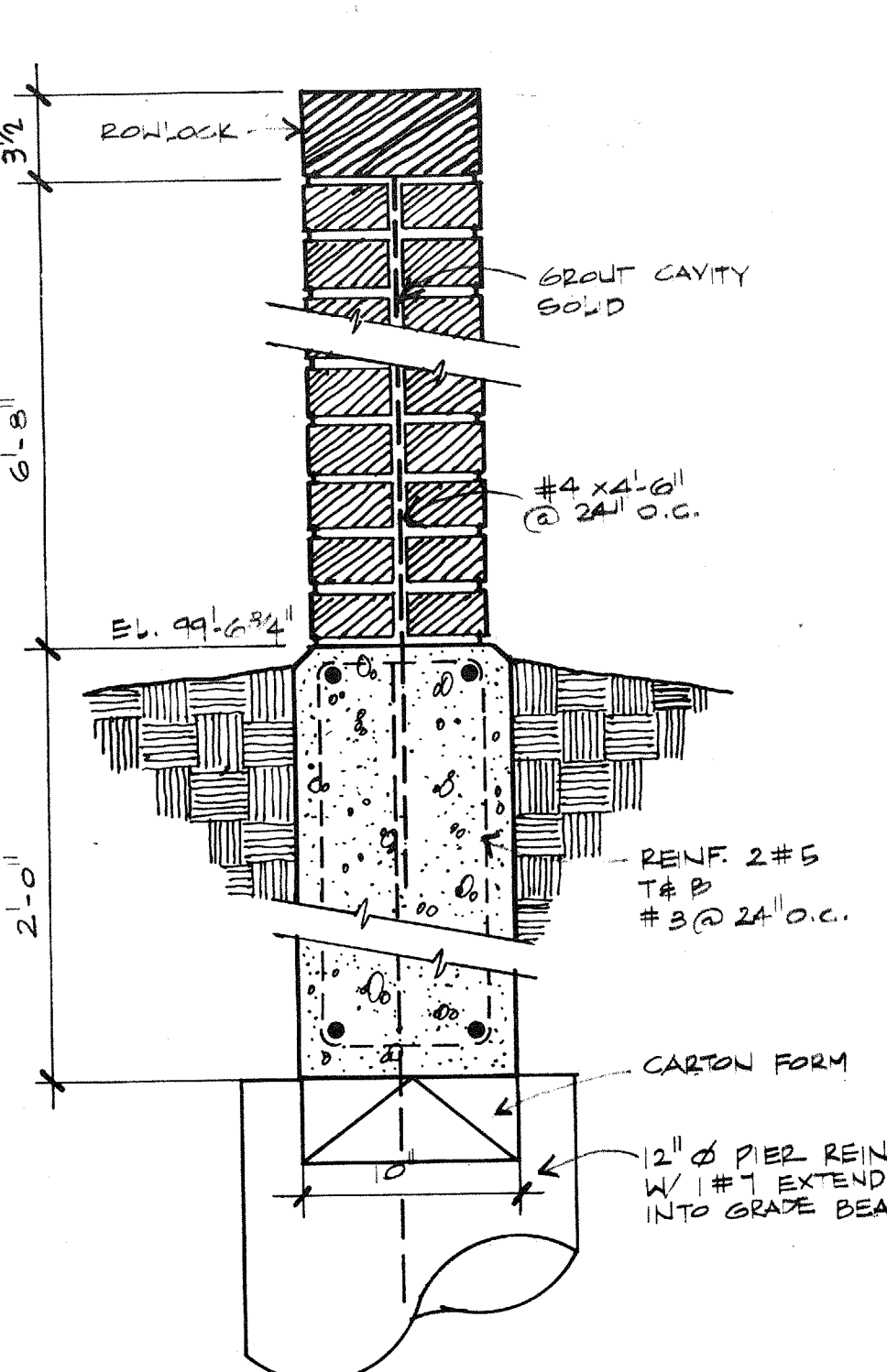
A113 SECT. E.P.G. SHELTER 1/2"=1'-0"



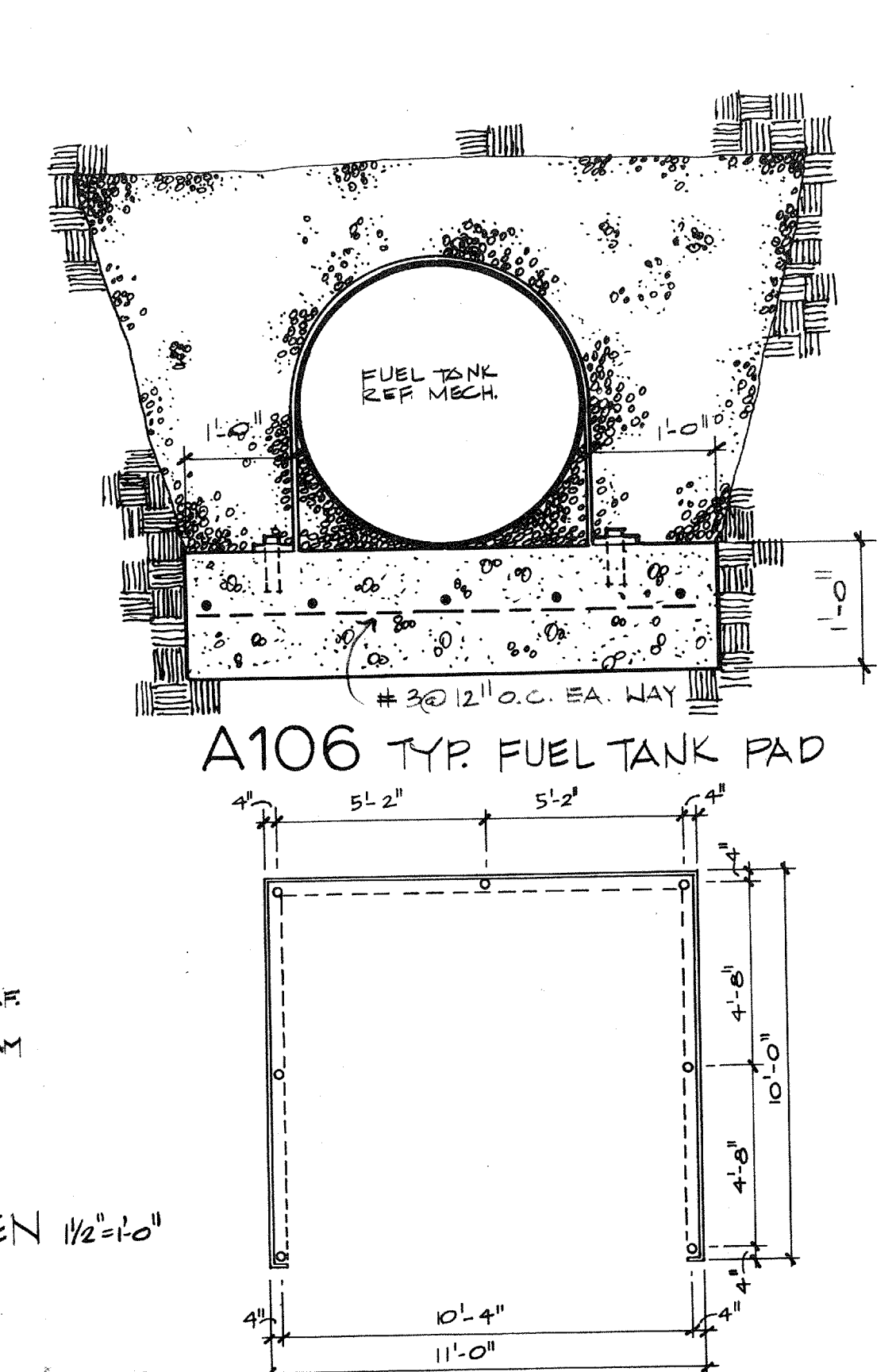
A114 DRAINAGE TRENCH 1/2"=1'-0"



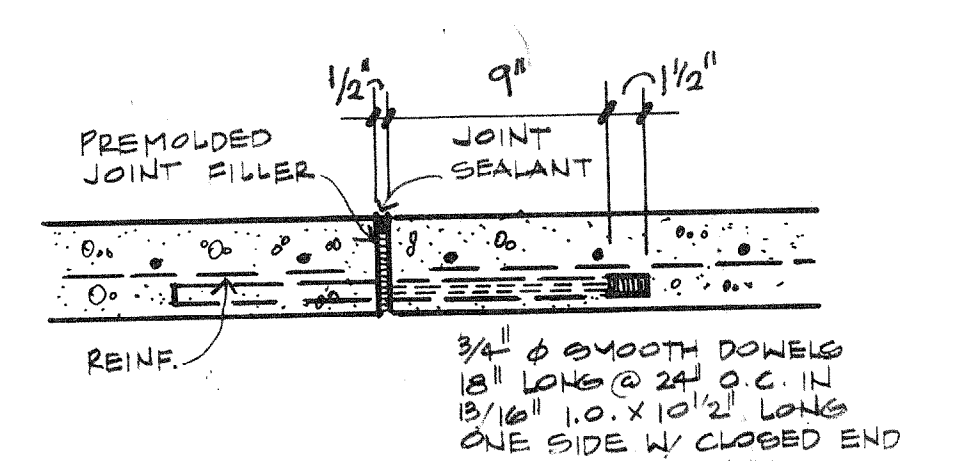
A111 VENTED BRICKSCRN 1/2"=1'-0"



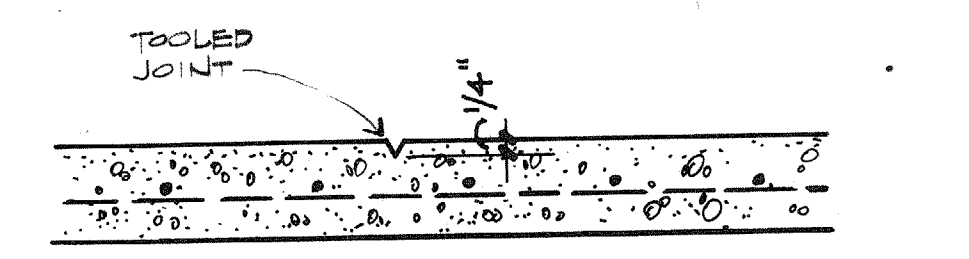
A110 SECT. BRICKSCREEN 1/2"=1'-0"



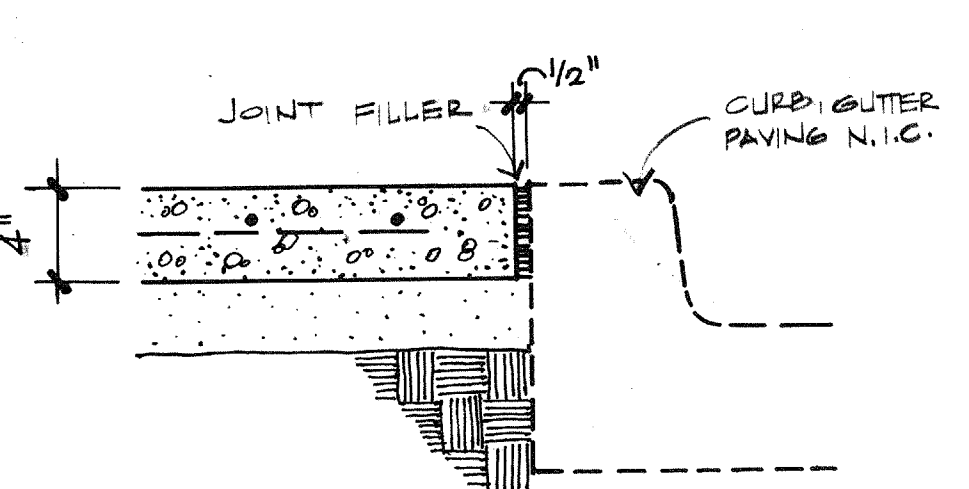
A106 TYP. FUEL TANK PAD



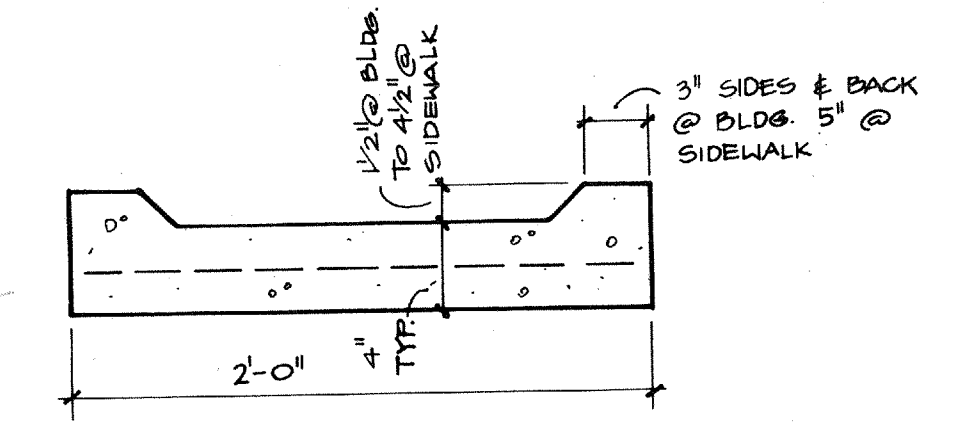
A101 TYP. EXP. JOINT NO SCALE



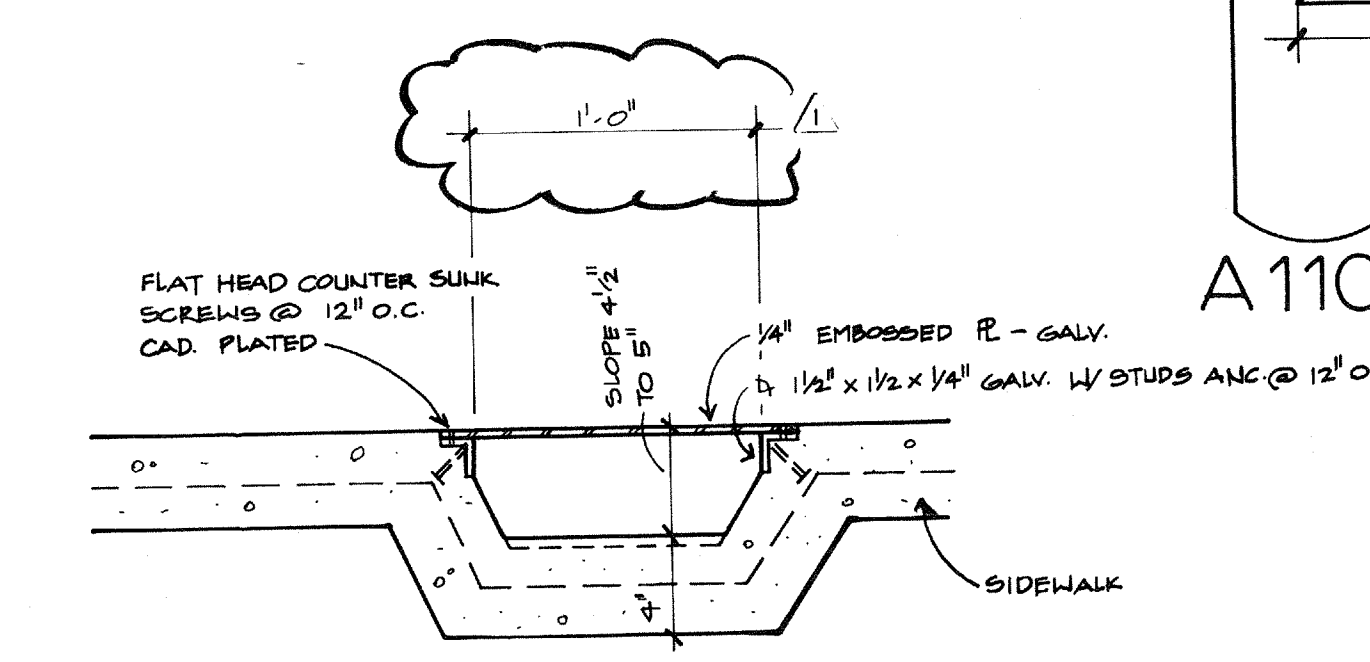
A102 TYP. CONTROL JOINT NO SCALE



A103 SIDEWALK @ CURB N.I.C. NO SCALE



A115 PLAN - E.P.G. SHELTER 1/2"=1'-0"



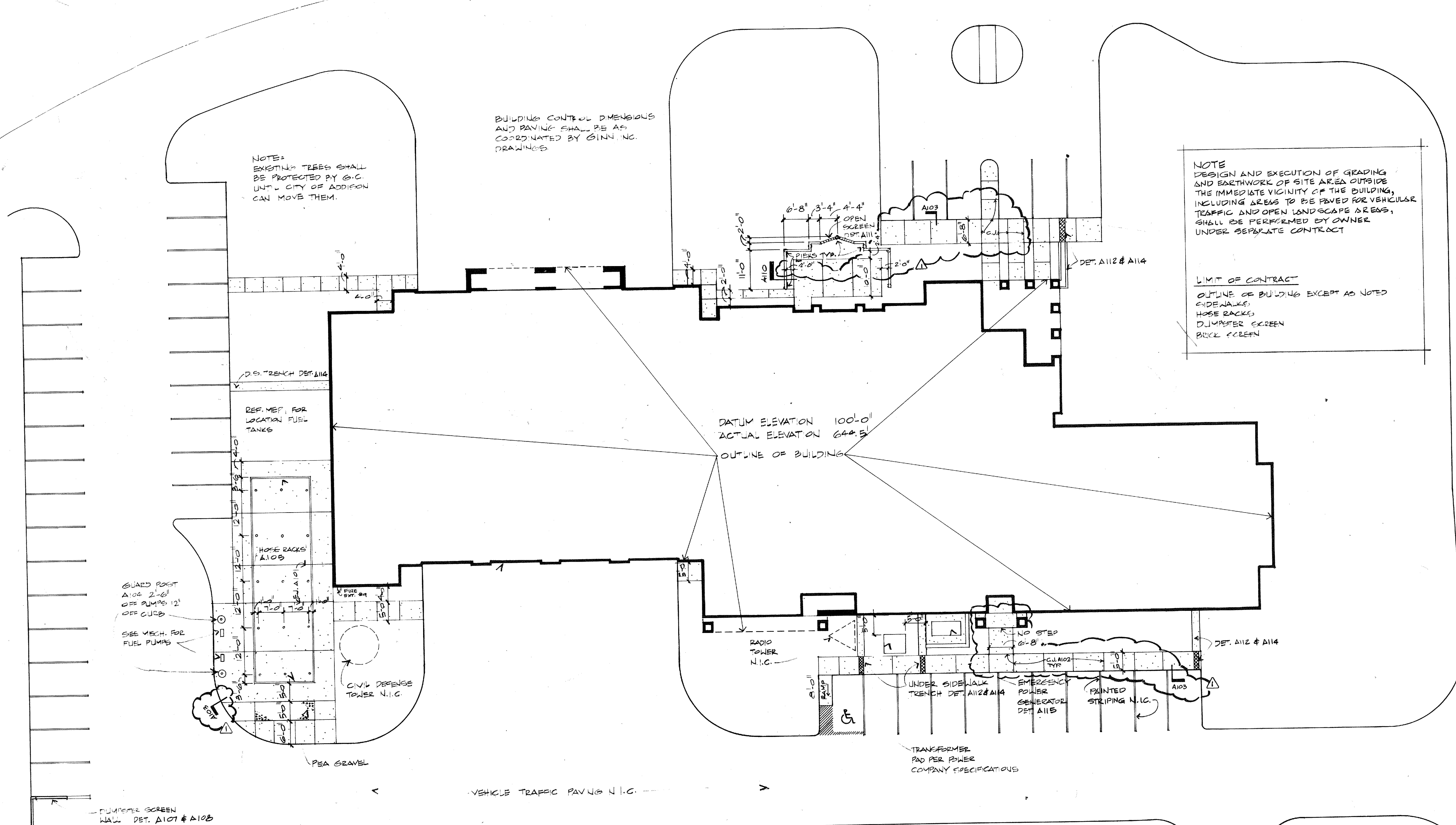
A112 UNDER SIDEWALK DRAINAGE 1/2"=1'-0"

A107 TRASH CONTAINER SCREEN

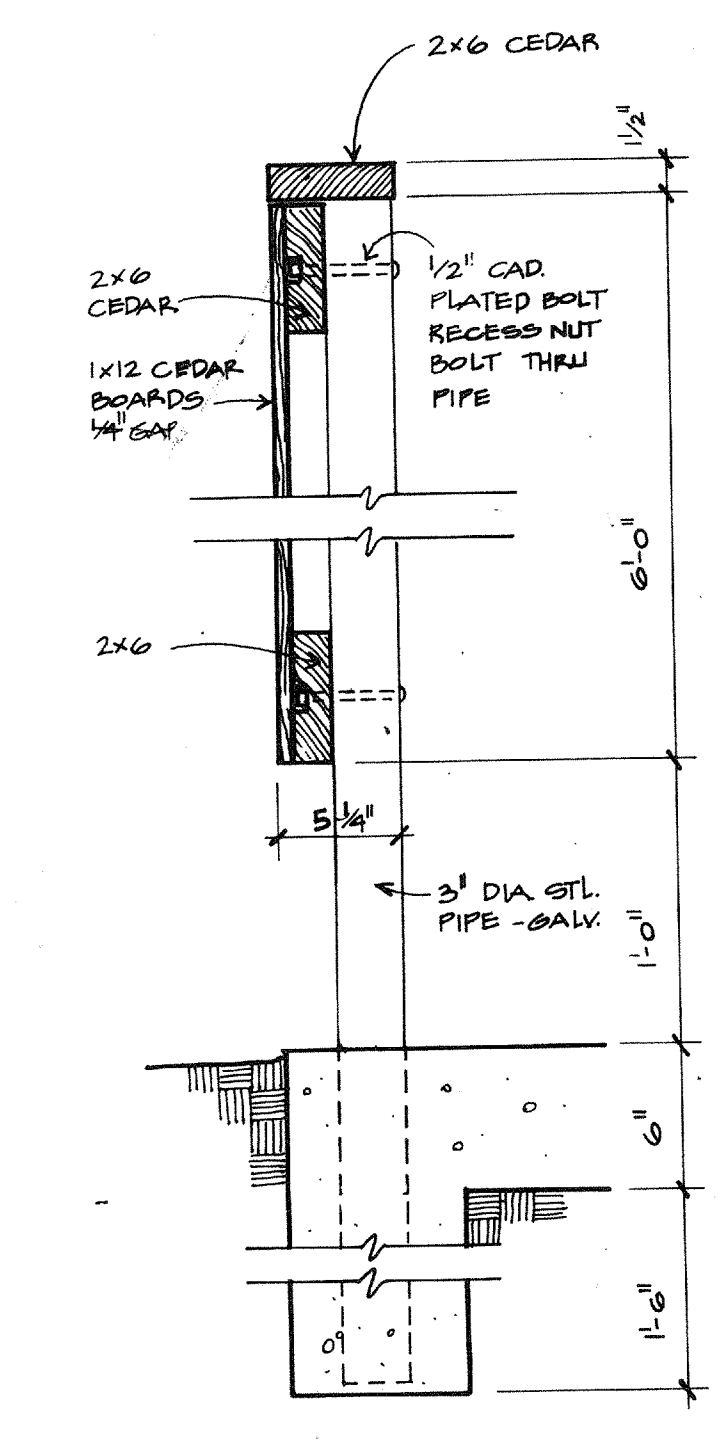
Proposed Airport Parkway

Airport Parkway

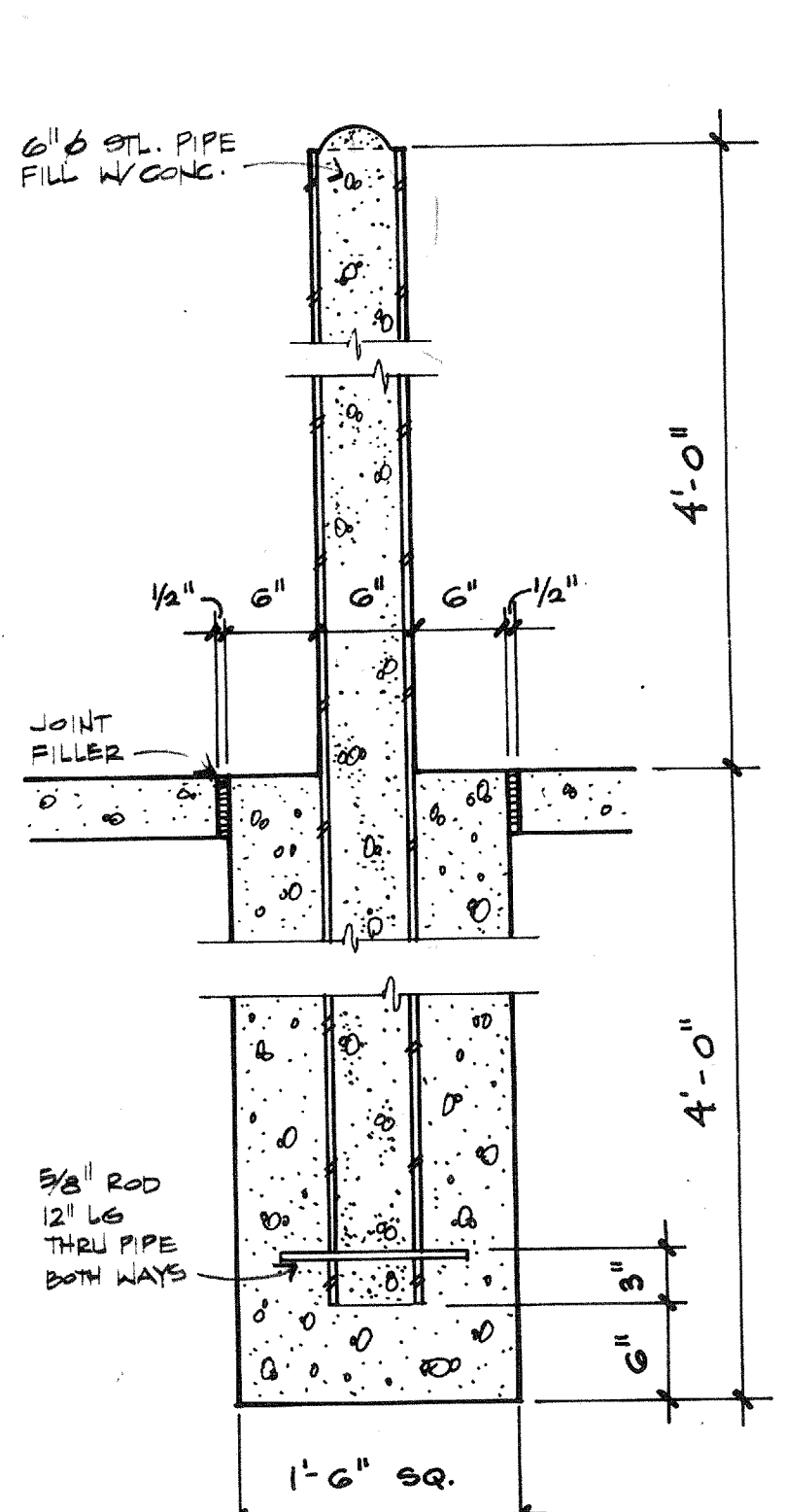
VEHICLE TRAFFIC PAVING & CURB N.I.C.



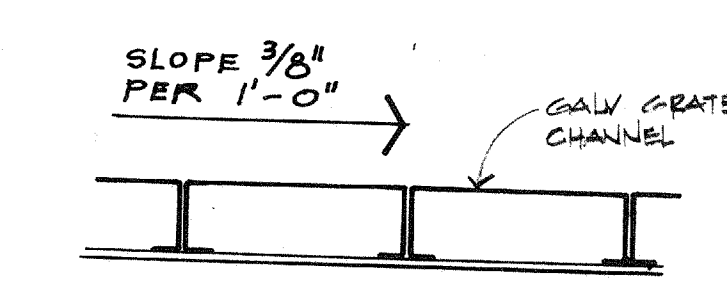
A109 SITE PLAN 1/8"=1'-0"



A108 SECTION 1/2"=1'-0"



A104 GUARD POST 1/4"=1'-0"



A105 DETAIL - HOSE RACK 1/2"=1'-0"

CODE INFORMATION
 BUILDING AREA 17,700 S.F.
 OCCUPANCY B-2
 CONSTRUCTION TYPE II-N

David A. Dillard #1012

CITY OF ADDISON FIRE DEPARTMENT
 CENTRAL OFFICES & FIRE STATION NO. 1
 AIRPORT PARKWAY & ADDISON ROAD, ADDISON, TX.
 SITE PLAN SITE DETAILS
 PROJECT NO. SHEET NO. 82.06
 DATE 6.23.82

A1