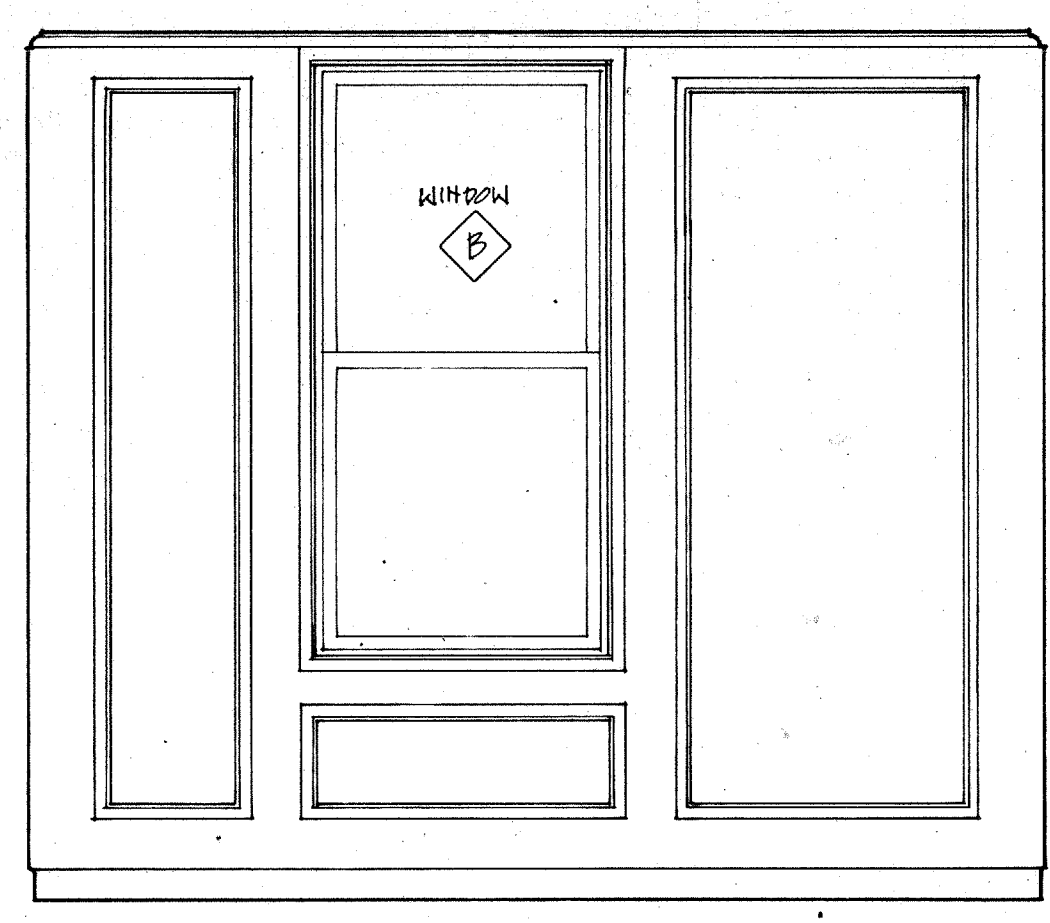
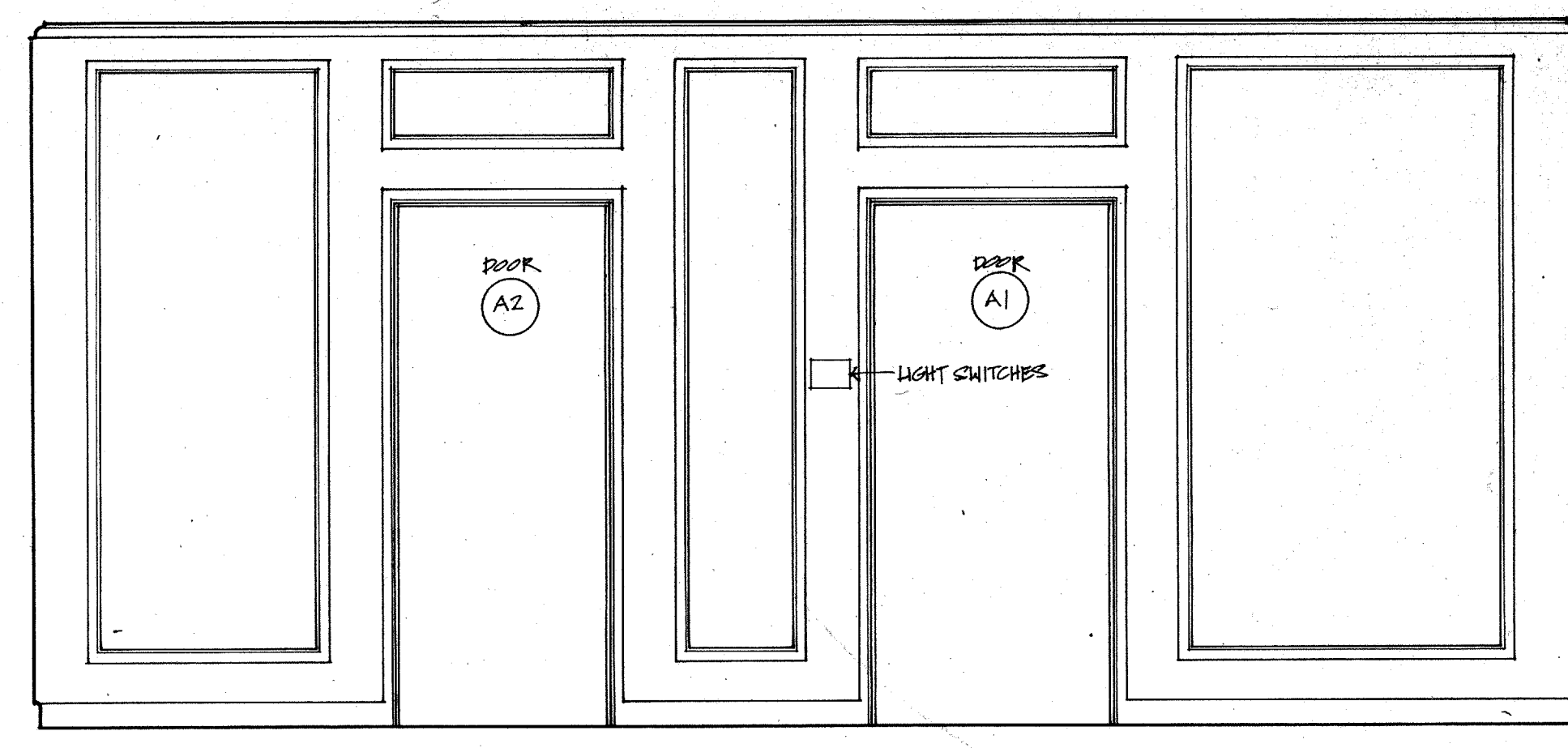


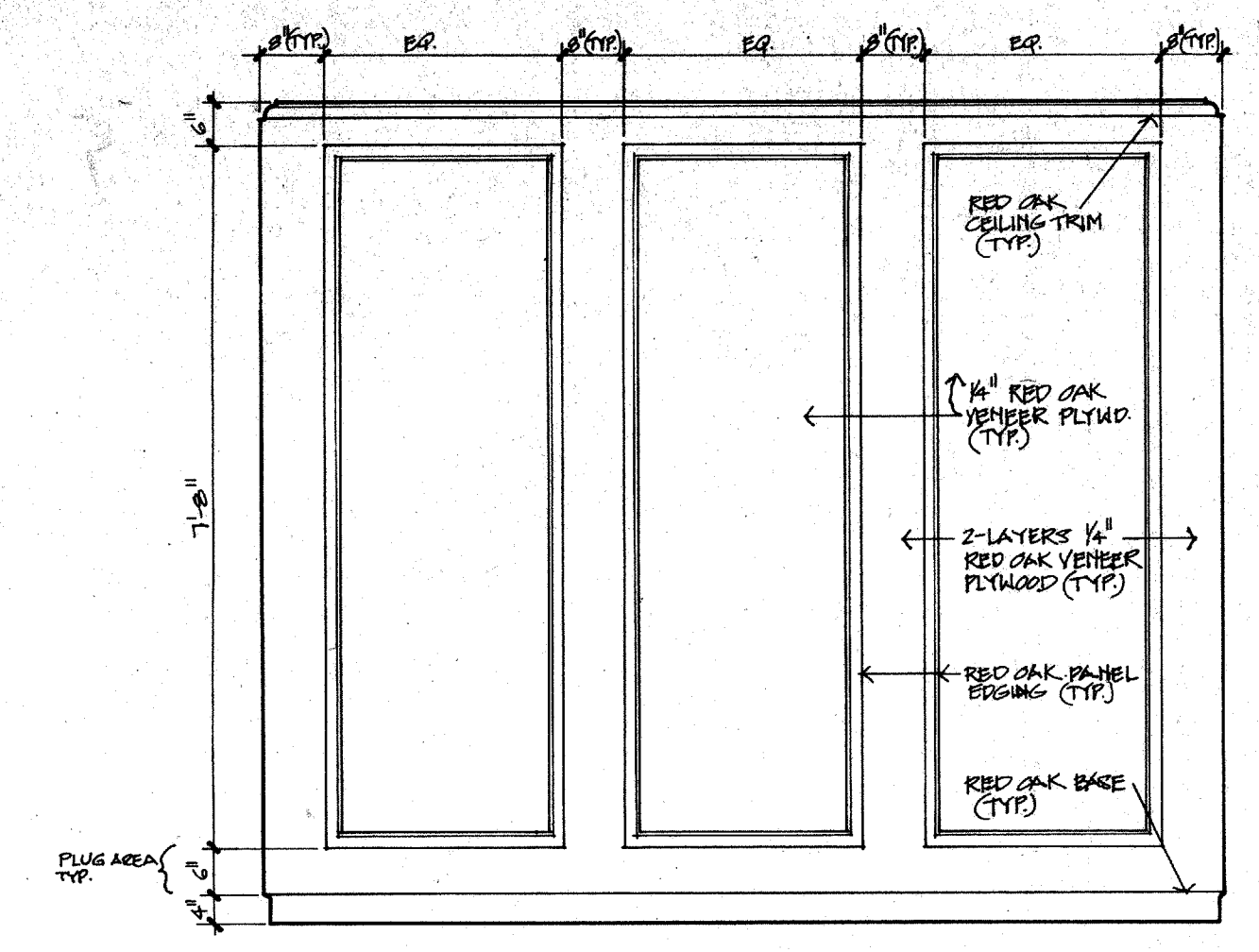
A1004



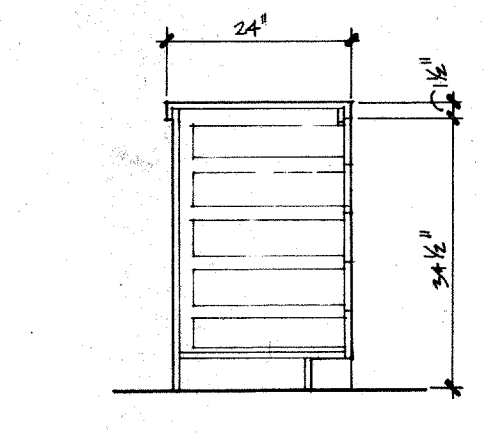
A1003



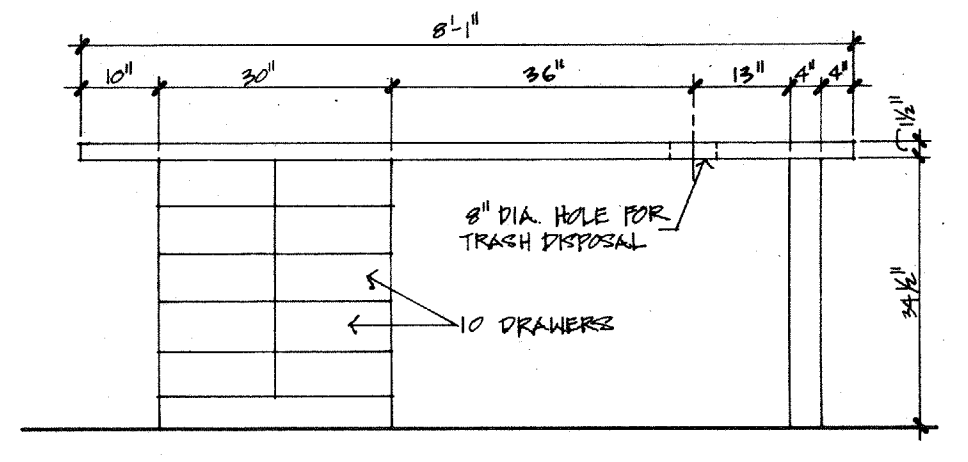
A1002



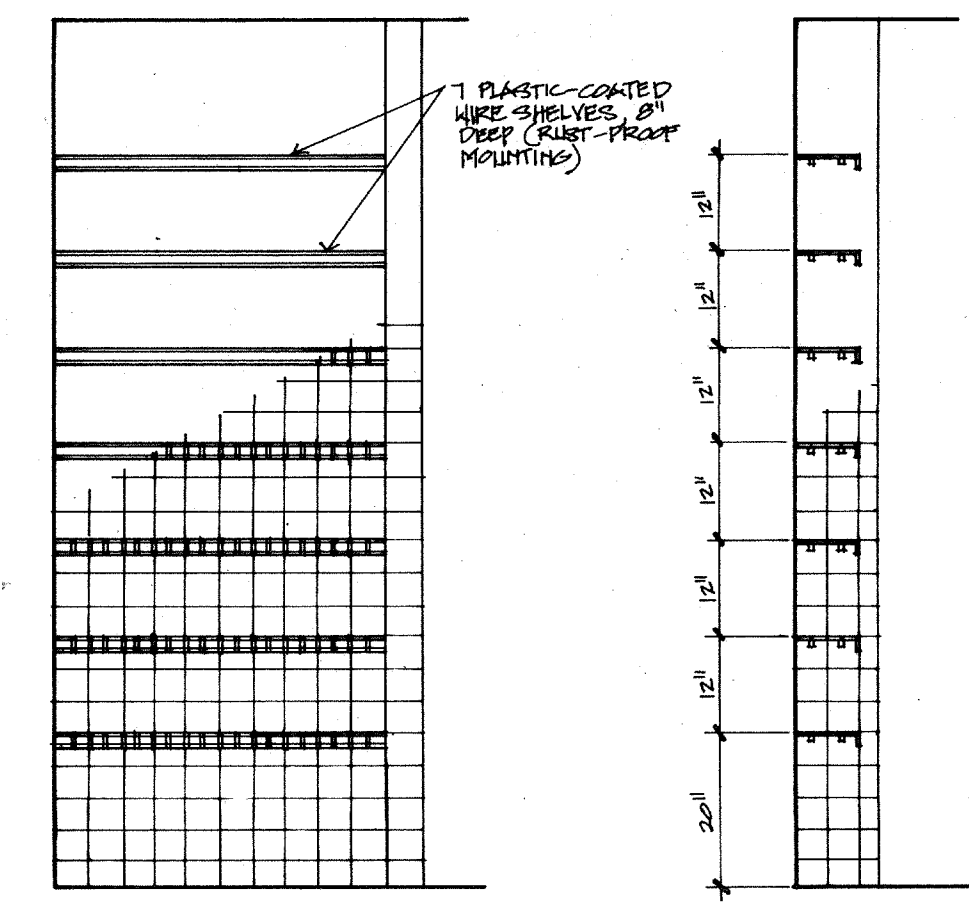
A1001



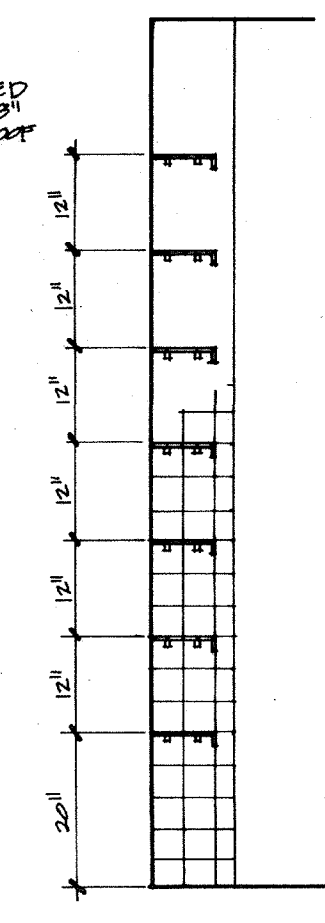
CLASS II
A1013



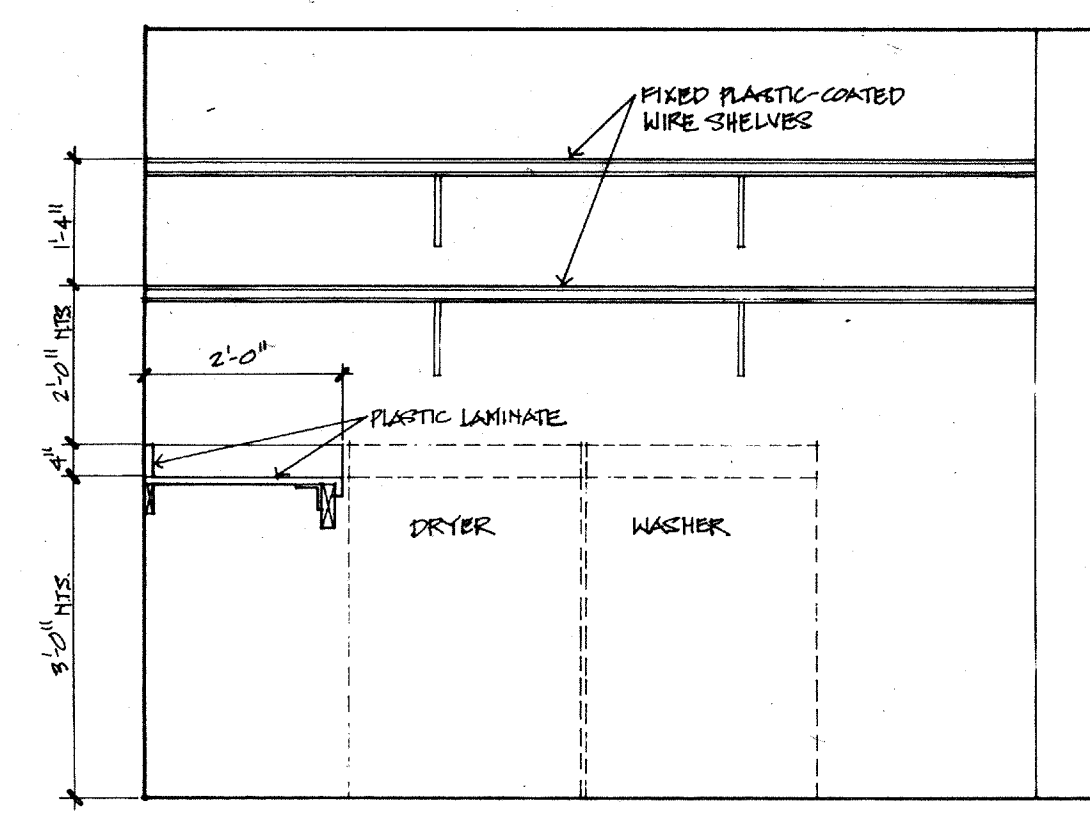
CLASS II
A1012



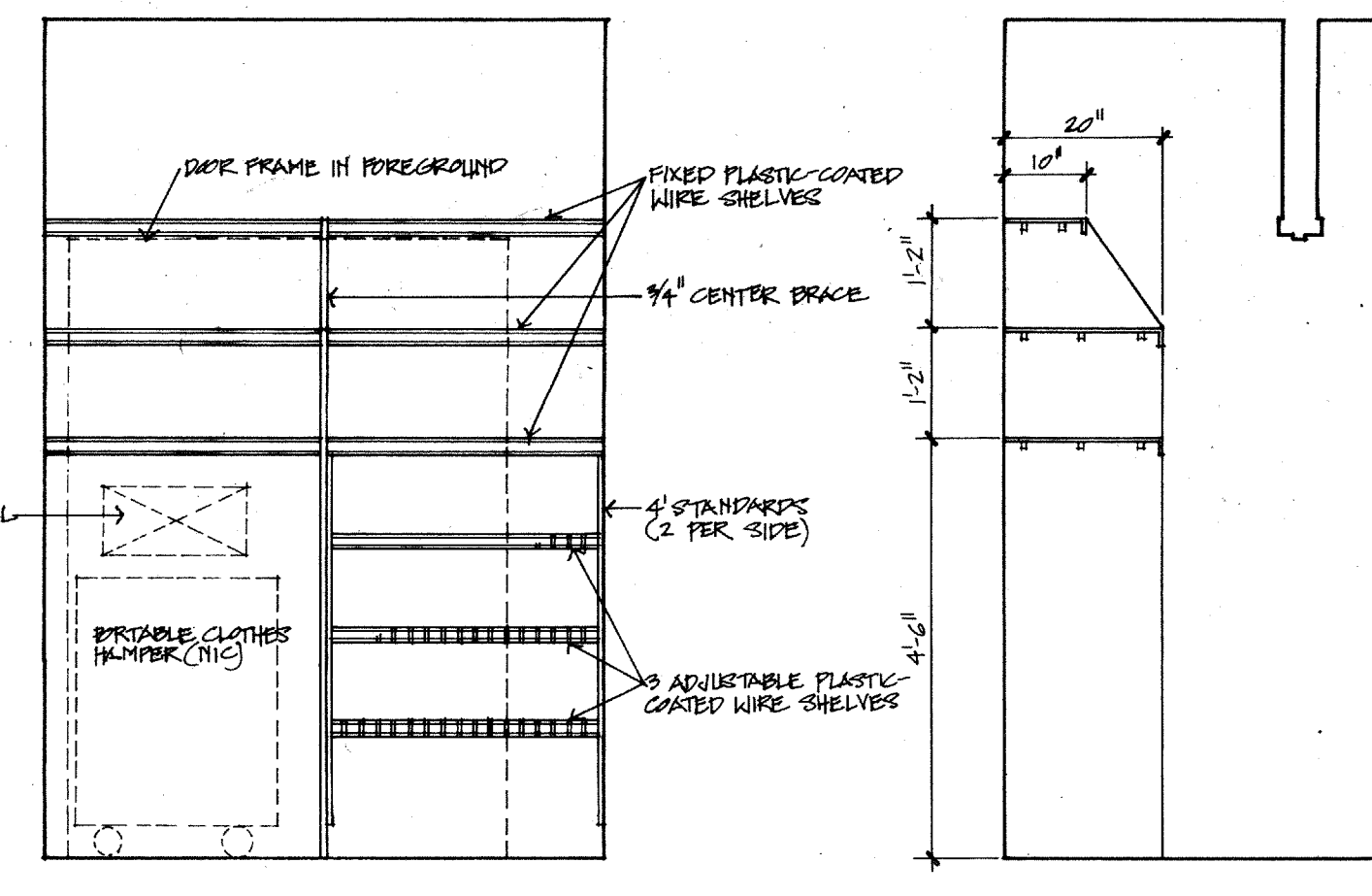
A1011



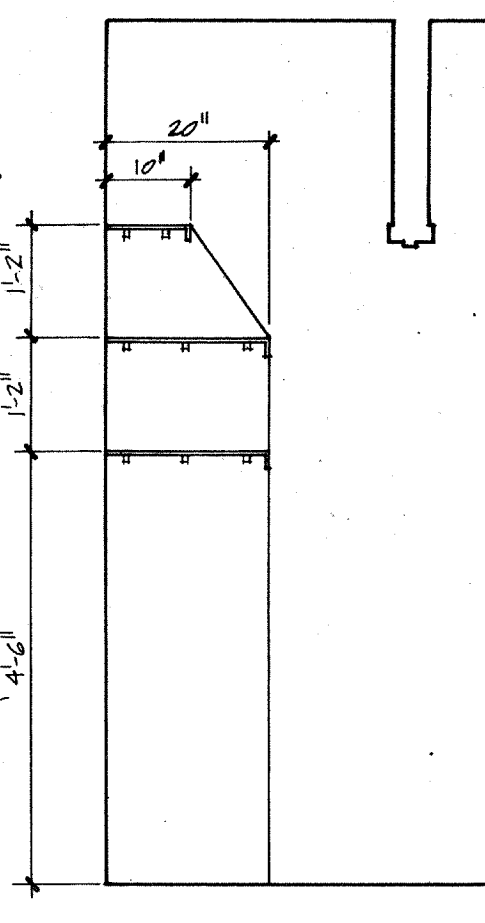
A1010



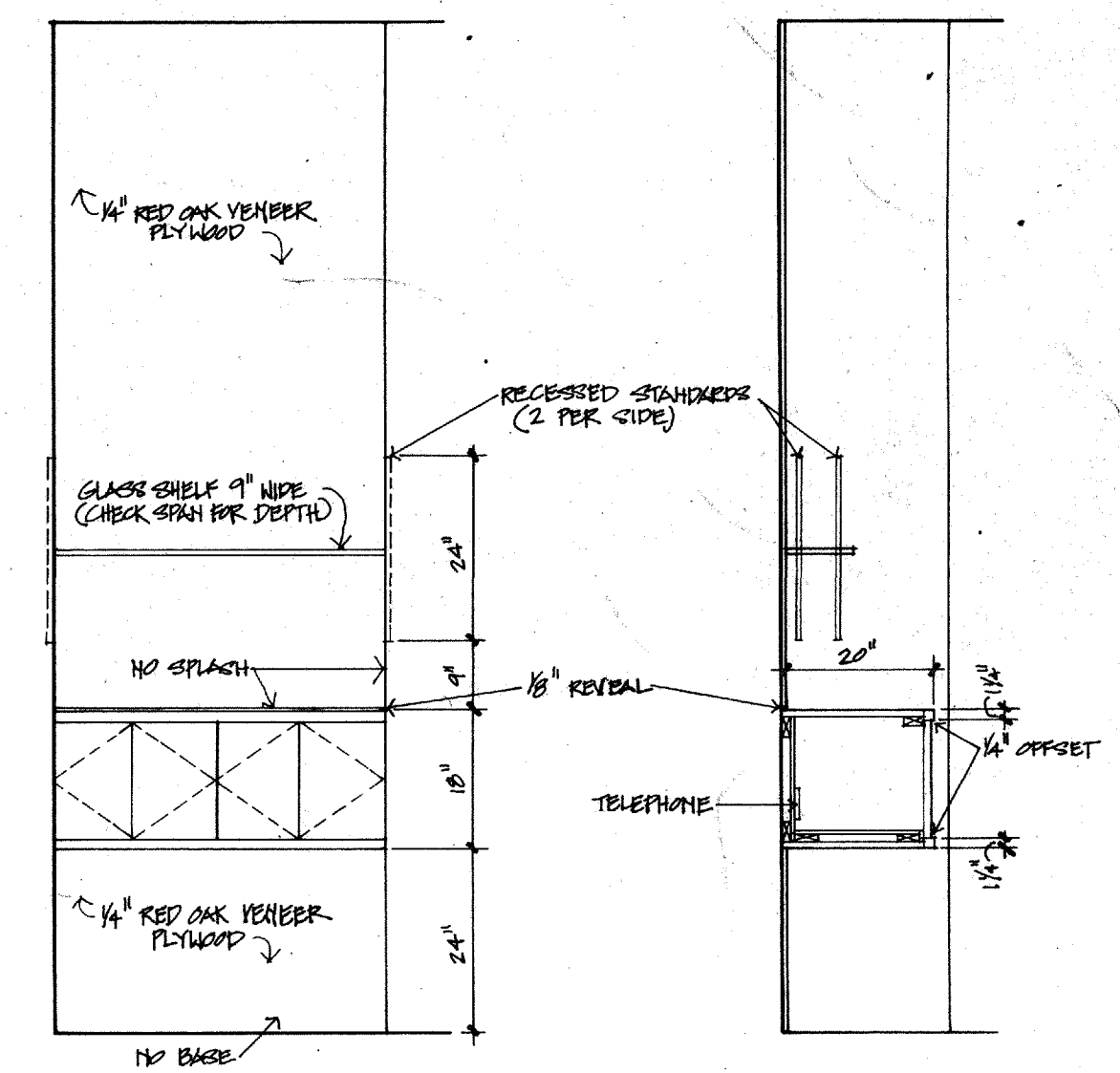
A1009



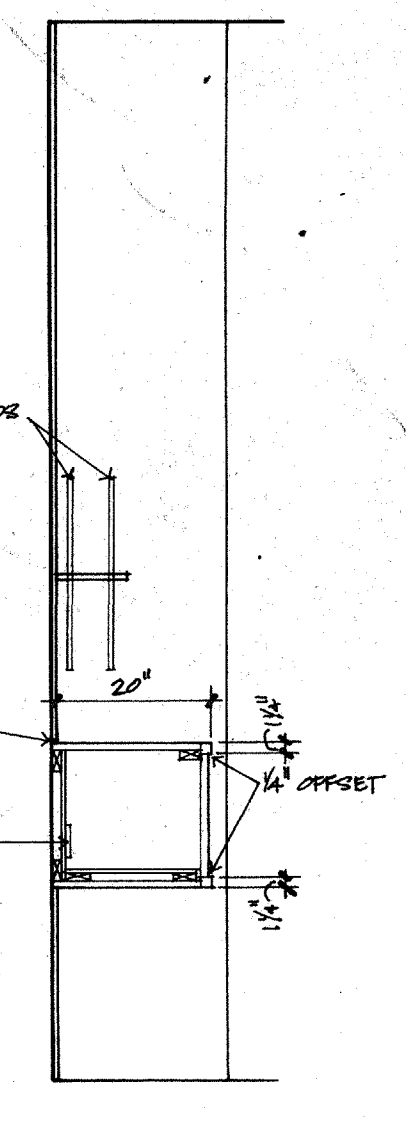
A1008



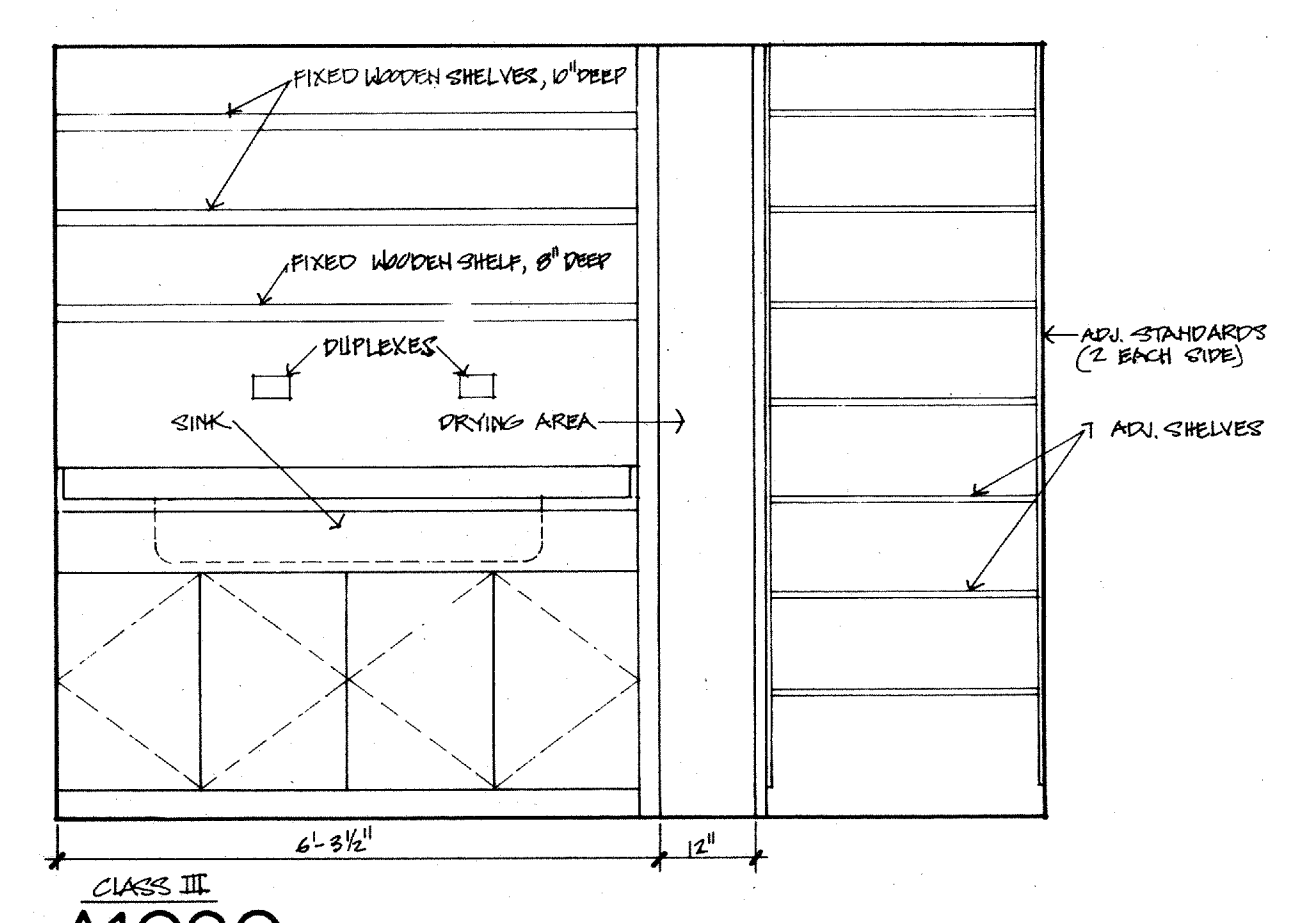
A1007



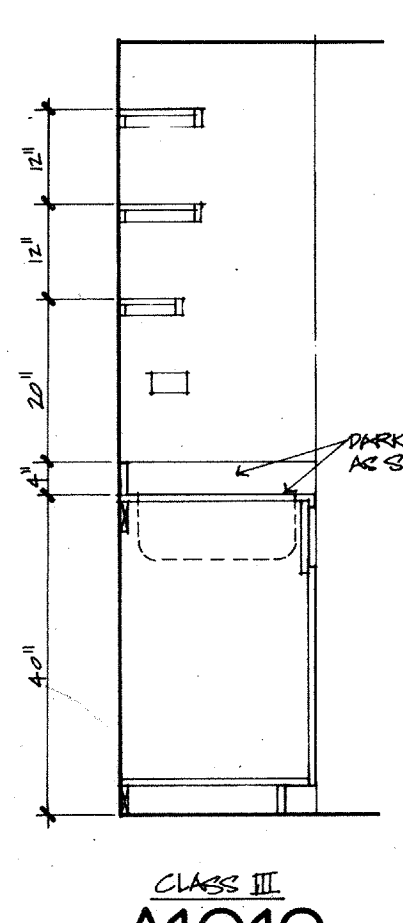
CLASS I
A1006



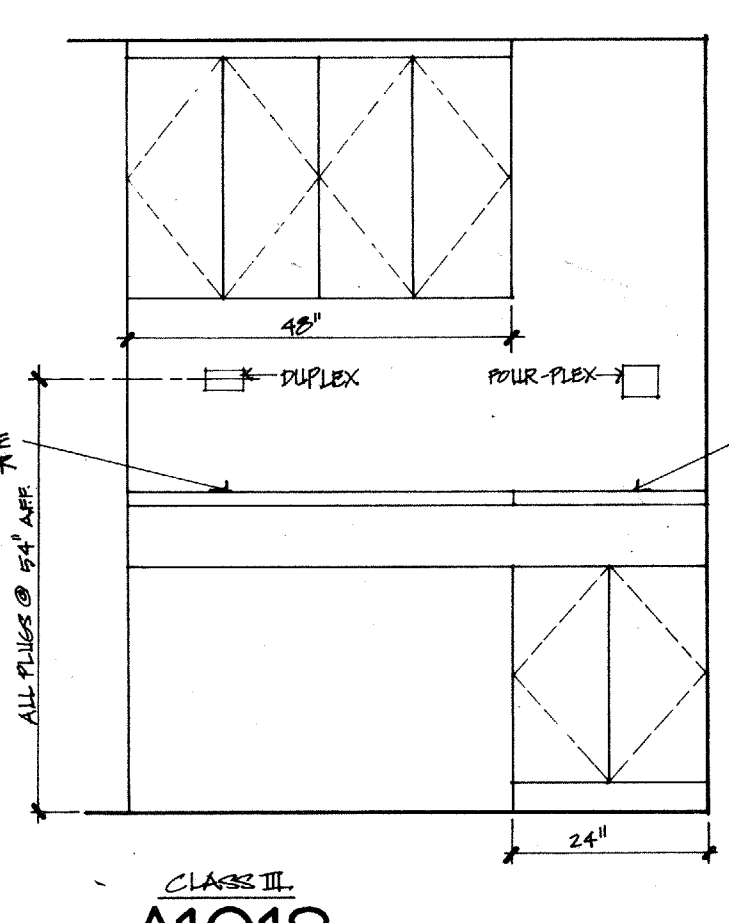
CLASS I
A1005



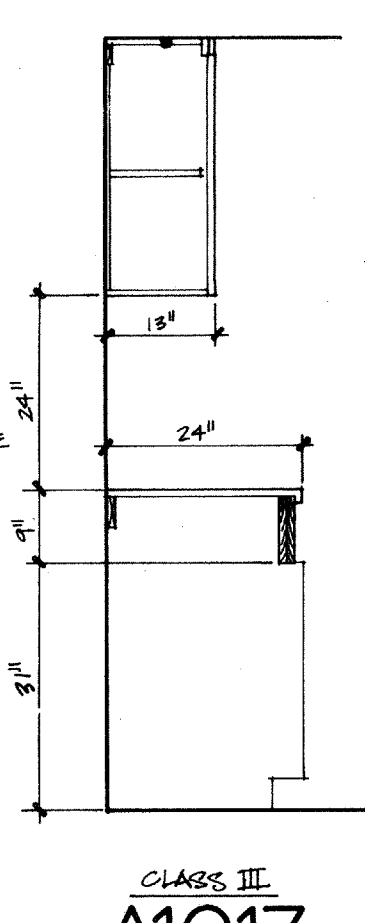
CLASS III
A1020



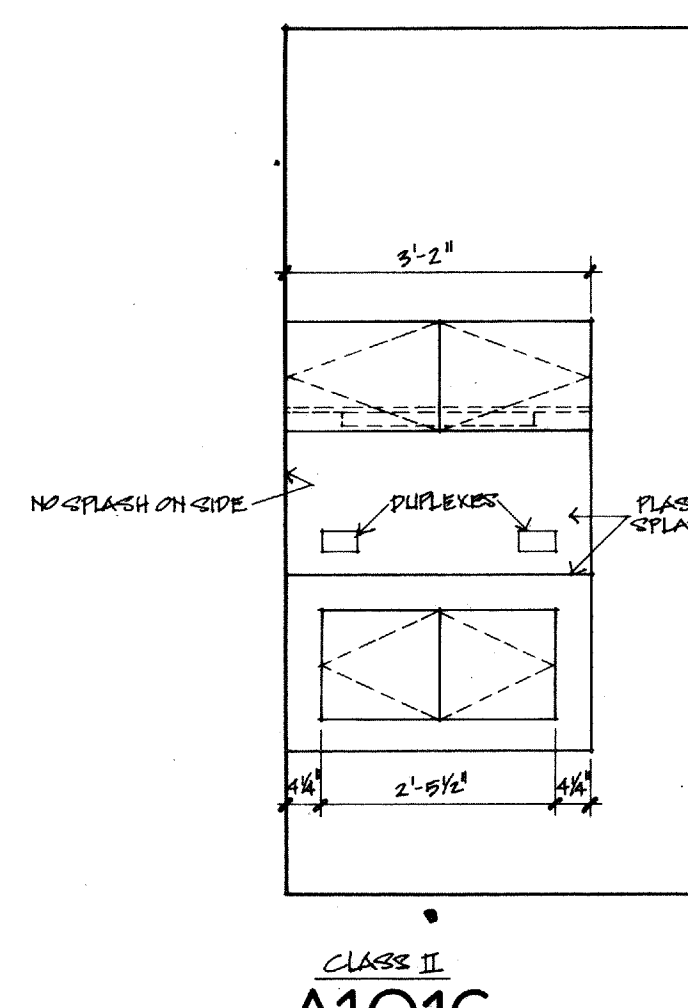
CLASS III
A1019



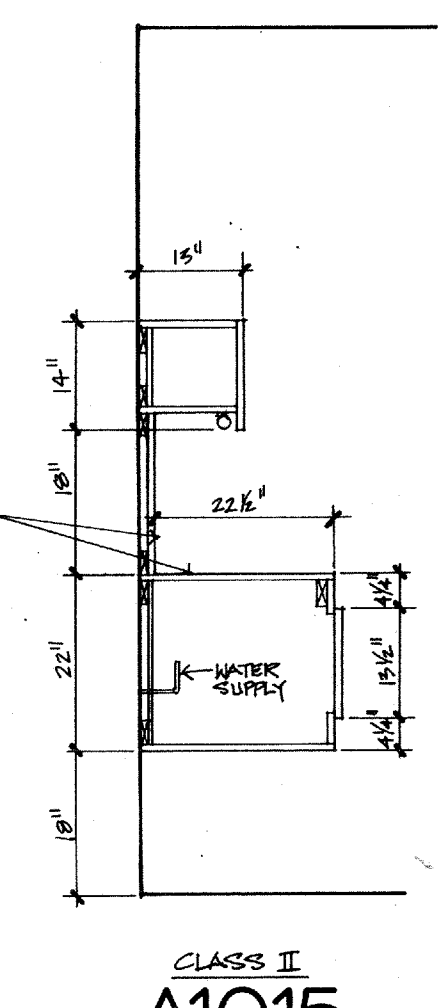
CLASS III
A1018



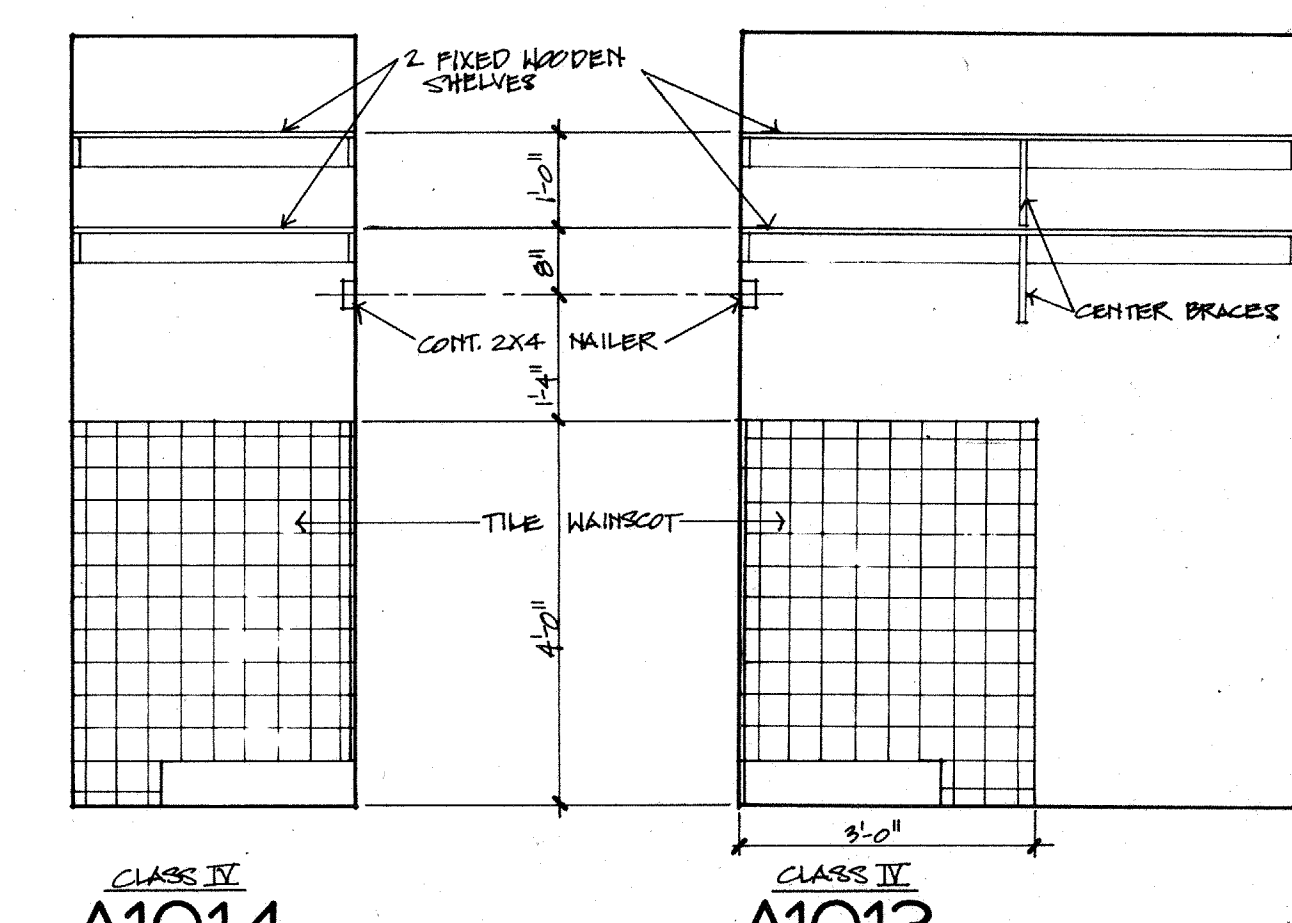
CLASS III
A1017



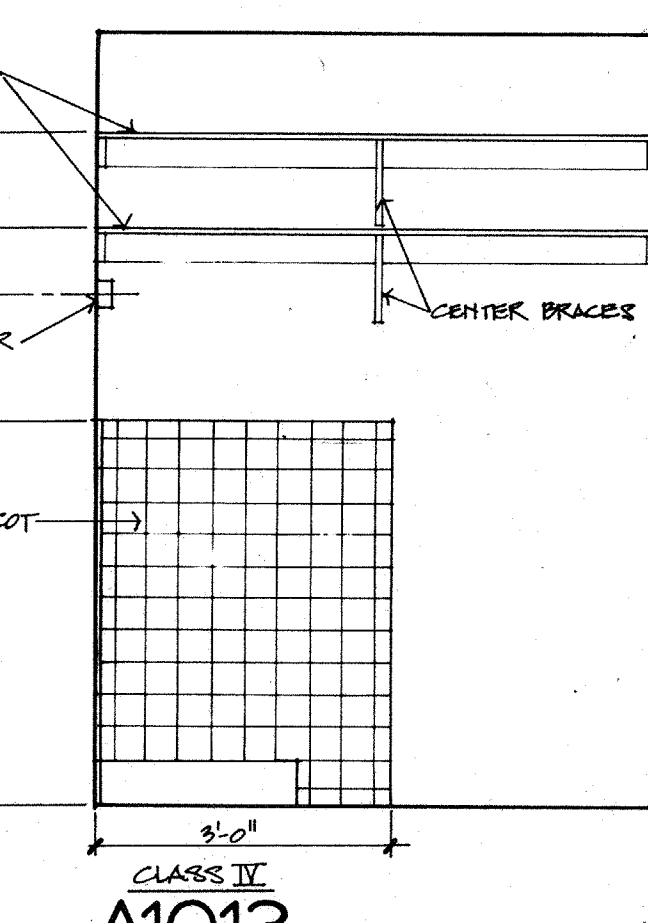
CLASS II
A1016



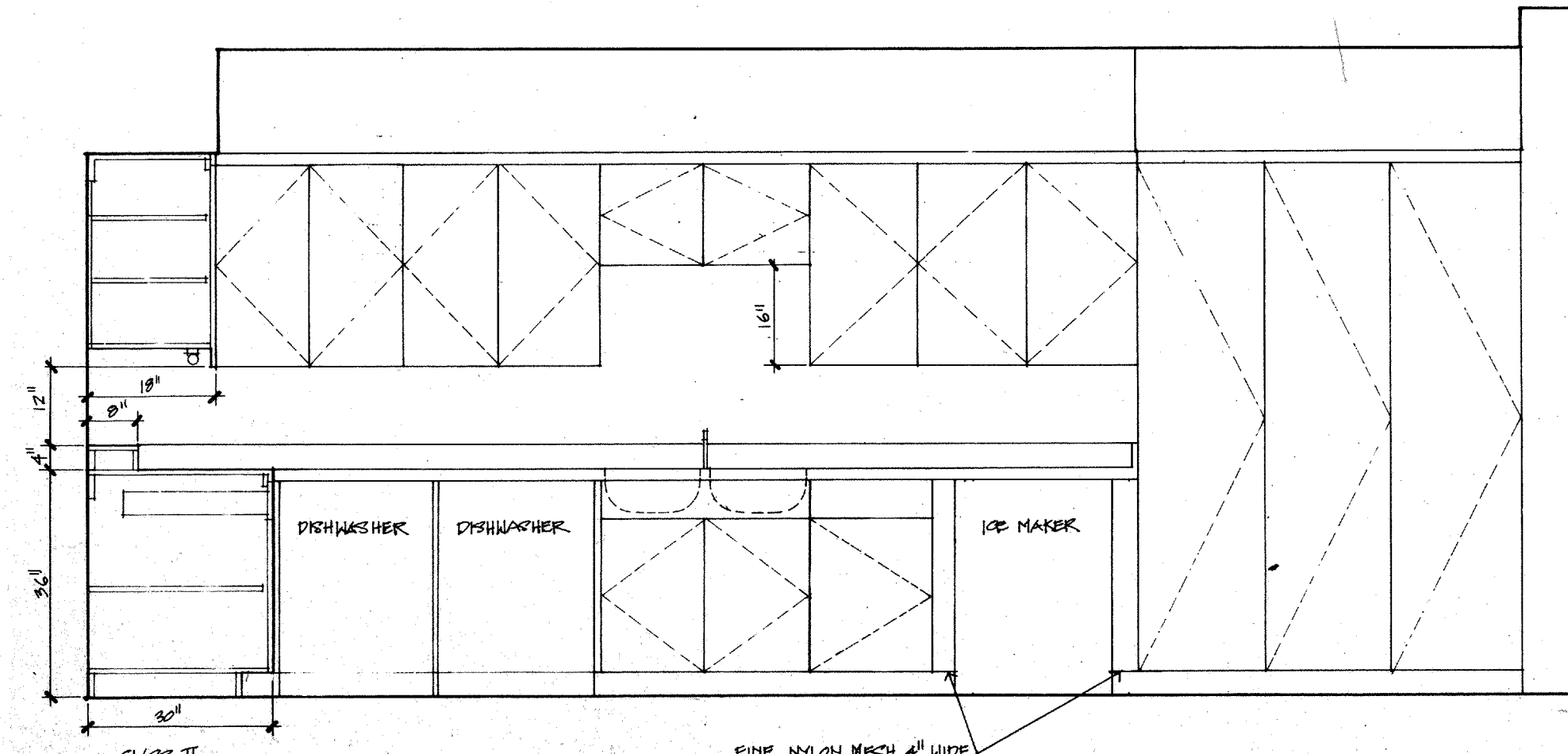
CLASS II
A1015



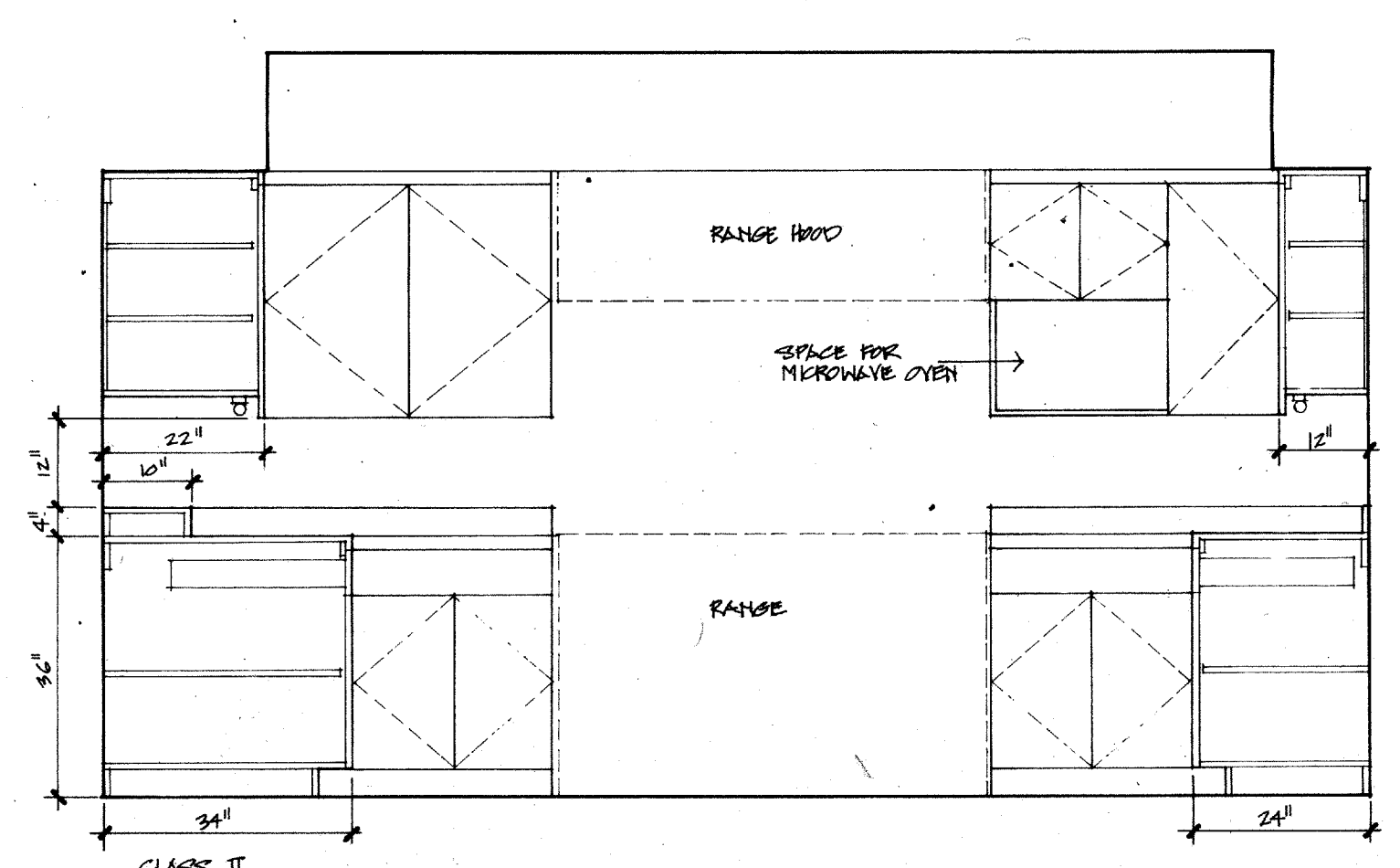
CLASS IV
A1014



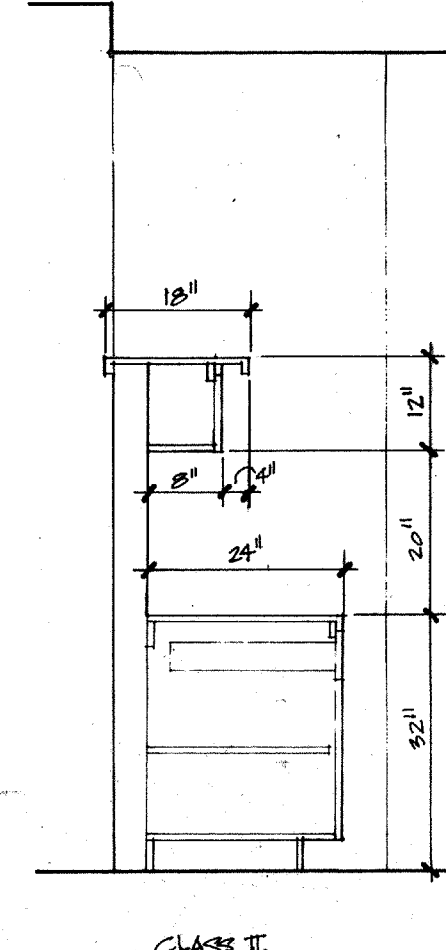
CLASS IV
A1013



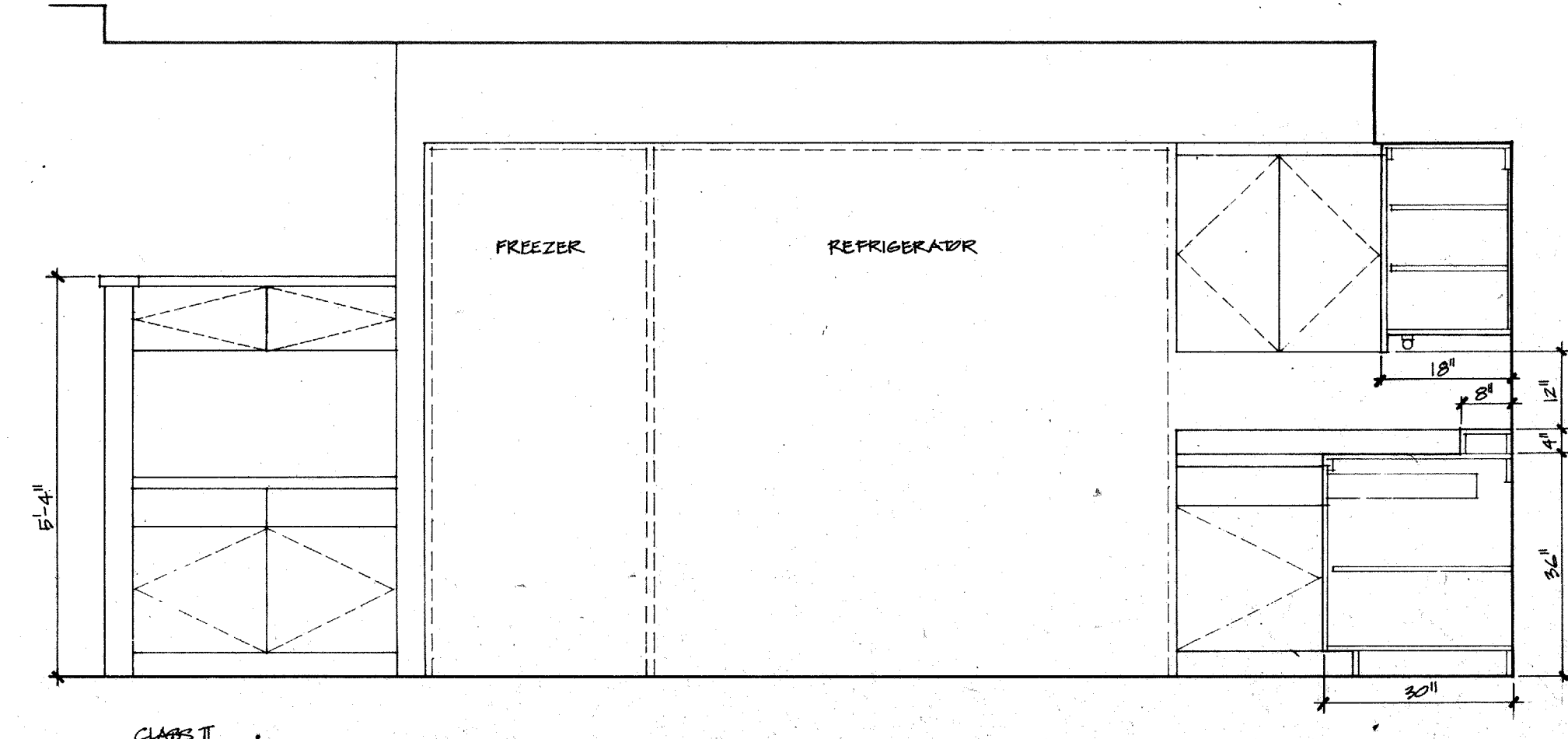
CLASS II
A1024



CLASS II
A1023

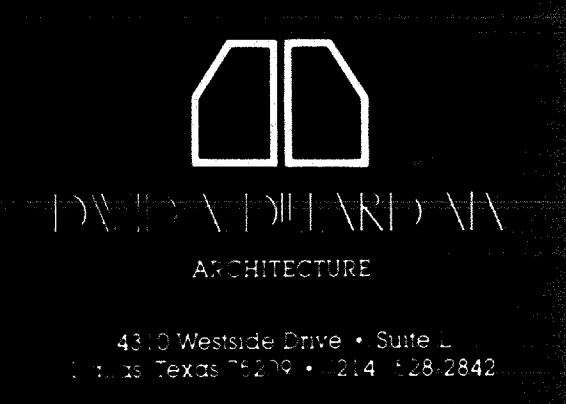


CLASS II
A1022



CLASS II
A1021

David A. Dillard
#602



CITY OF ADDISON
FIRE DEPARTMENT
CENTRAL OFFICES &
FIRE STATION No. 1
AIRPORT PARKWAY &
ADDISON ROAD, ADDISON, TX
INTERIOR ELEVATIONS

PROJECT NO. SHEET NO.
82.00
DATE
6/23/82

A10